



US00D407645S

United States Patent [19] Mogard

[11] Patent Number: **Des. 407,645**

[45] Date of Patent: ****Apr. 6, 1999**

[54] **FLIP-CAP CLOSURE**

[75] Inventor: **Jens Mogard**, Buffalo Grove, Ill.

[73] Assignee: **Tetra Laval Holdings & Finance, SA**, Pully, Switzerland

[**] Term: **14 Years**

[21] Appl. No.: **76,531**

[22] Filed: **Sep. 12, 1997**

[51] **LOC (6) Cl.** **09-07**

[52] **U.S. Cl.** **D9/449**

[58] **Field of Search** D9/435, 438, 440, D9/446, 447, 449, 454, 503; 215/237, 253, 254, 258; 222/153.07, 541.9, 541.5, 556; 220/254, 256, 258, 259; 229/125.15

[56] **References Cited**

U.S. PATENT DOCUMENTS

D. 313,754	1/1991	Pomroy	D9/435
D. 329,602	9/1992	Cochrane	D9/435
D. 329,604	9/1992	Kuczer	D9/435 X
D. 381,906	8/1997	Bartsch	D9/438
4,795,065	1/1989	Ashizawa et al.	222/541.5
4,848,615	7/1989	Friedrich	215/254
5,065,938	11/1991	Anderson	229/125.15 X
5,141,138	8/1992	Odet et al.	215/254 X

5,199,618	4/1993	Reil et al.	222/556 X
5,636,771	6/1997	Gordon et al.	222/541.9 X
5,718,353	2/1998	Kanfer et al.	220/259 X
5,799,813	9/1998	Letica	220/254

Primary Examiner—James Gandy
Assistant Examiner—Cathron B. Matta
Attorney, Agent, or Firm—Michael A. Catania

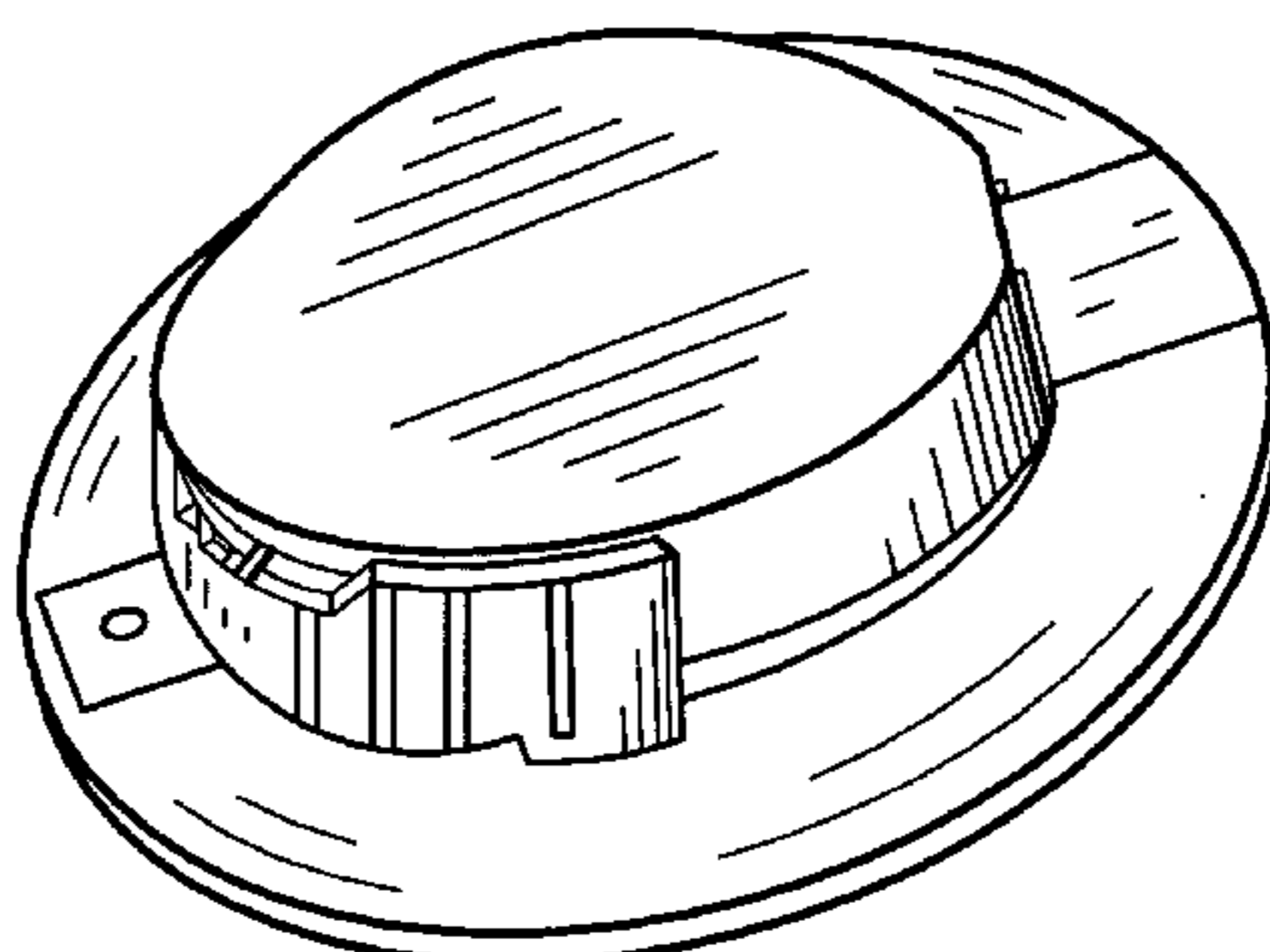
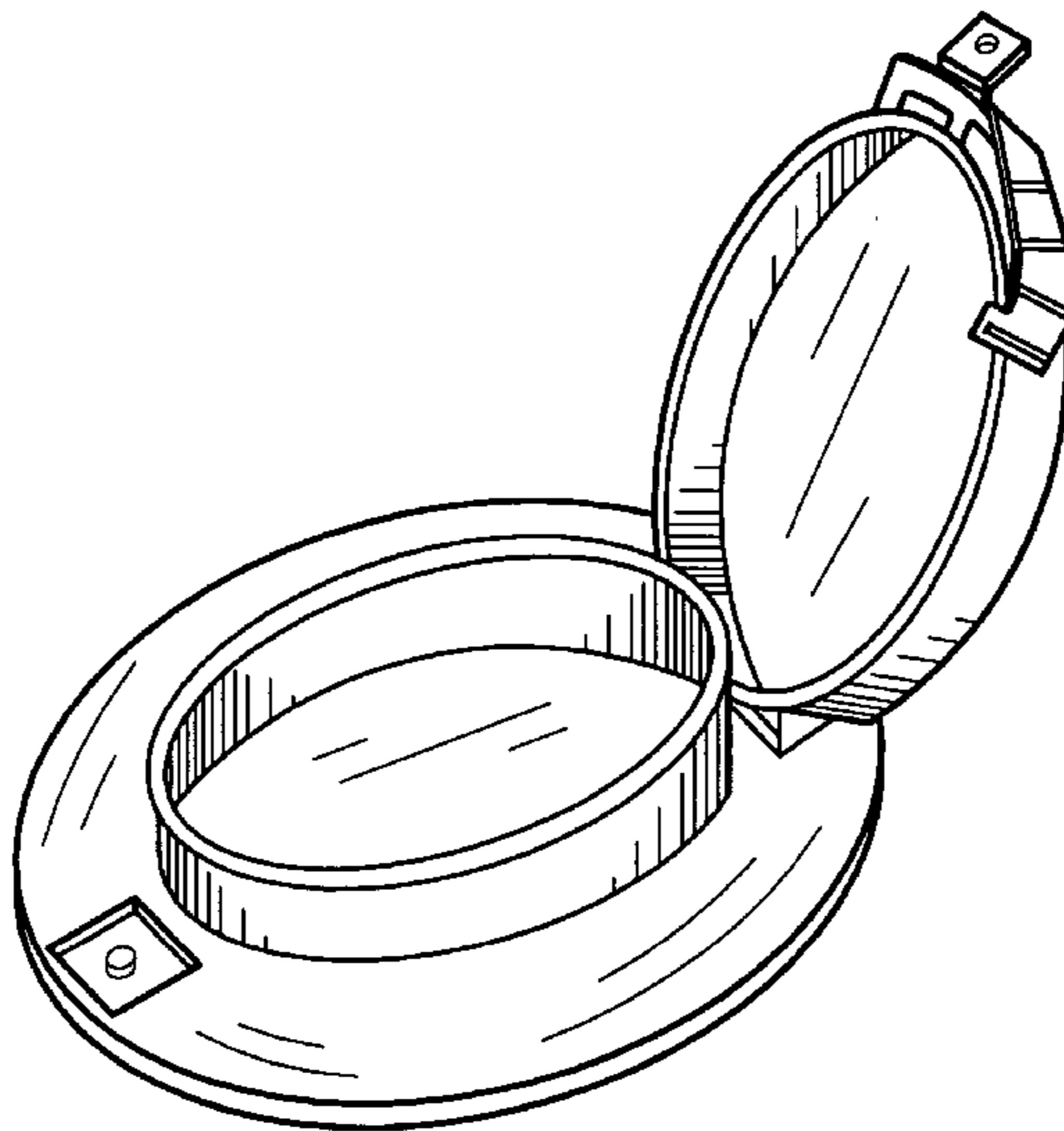
[57] **CLAIM**

The ornamental design for a flip-cap closure, as shown and described.

DESCRIPTION

FIG. 1 is a top perspective view of the flip-cap closure with the cap in the open position;
FIG. 2 is a top perspective view of the flip-cap closure with the cap in the closed position;
FIG. 3 is a front elevational view of the flip-cap closure shown in FIG. 2;
FIG. 4 is a top plan view of the flip-cap closure shown in FIG. 2;
FIG. 5 is a side-elevational view of the flip-cap closure shown in FIG. 2;
FIG. 6 is a rear-elevational view of the flip-cap closure shown in FIG. 2; and,
FIG. 7 is a bottom plan view of the flip-cap closure shown in FIG. 2.

1 Claim, 2 Drawing Sheets



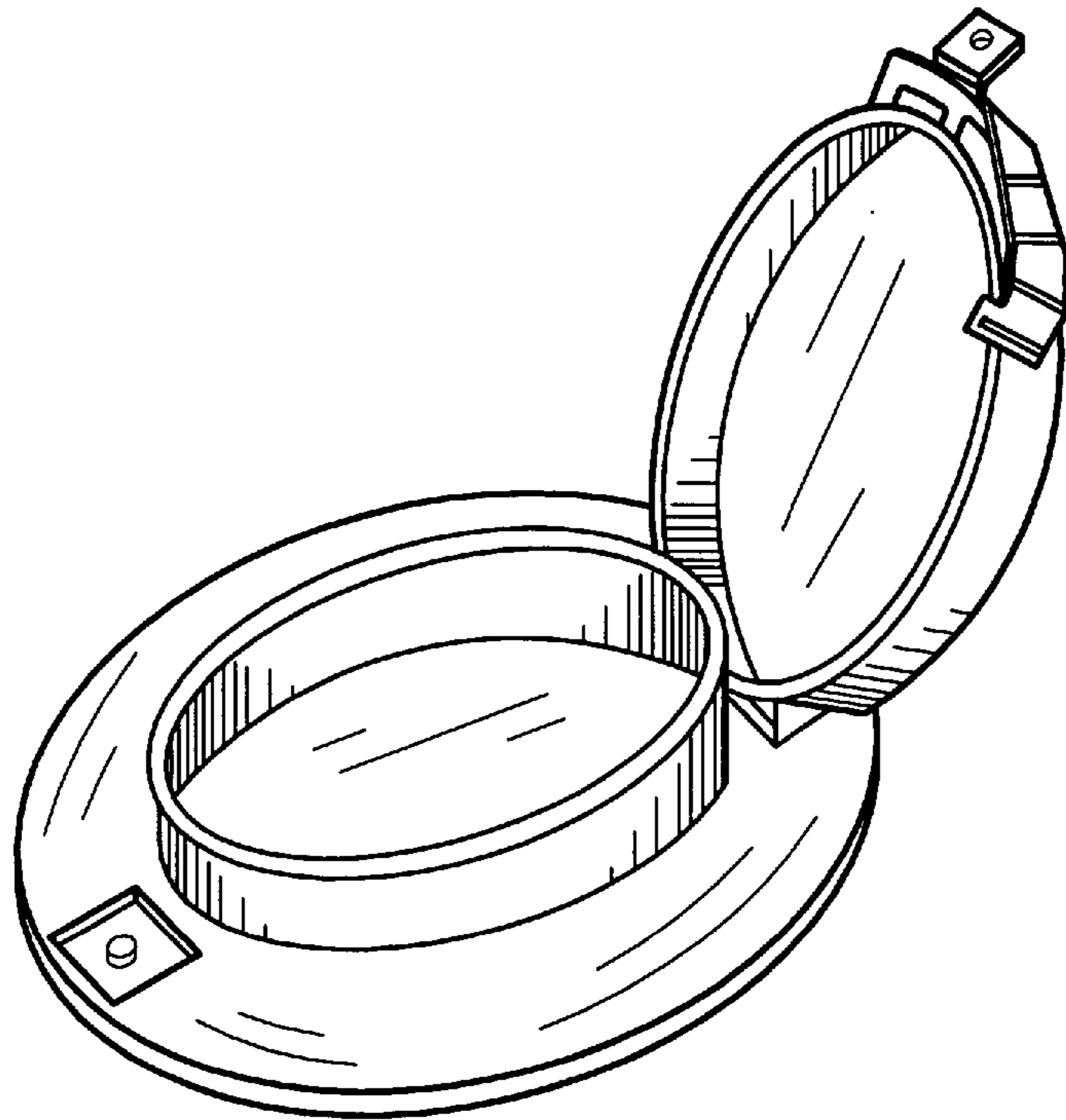


FIG. 1

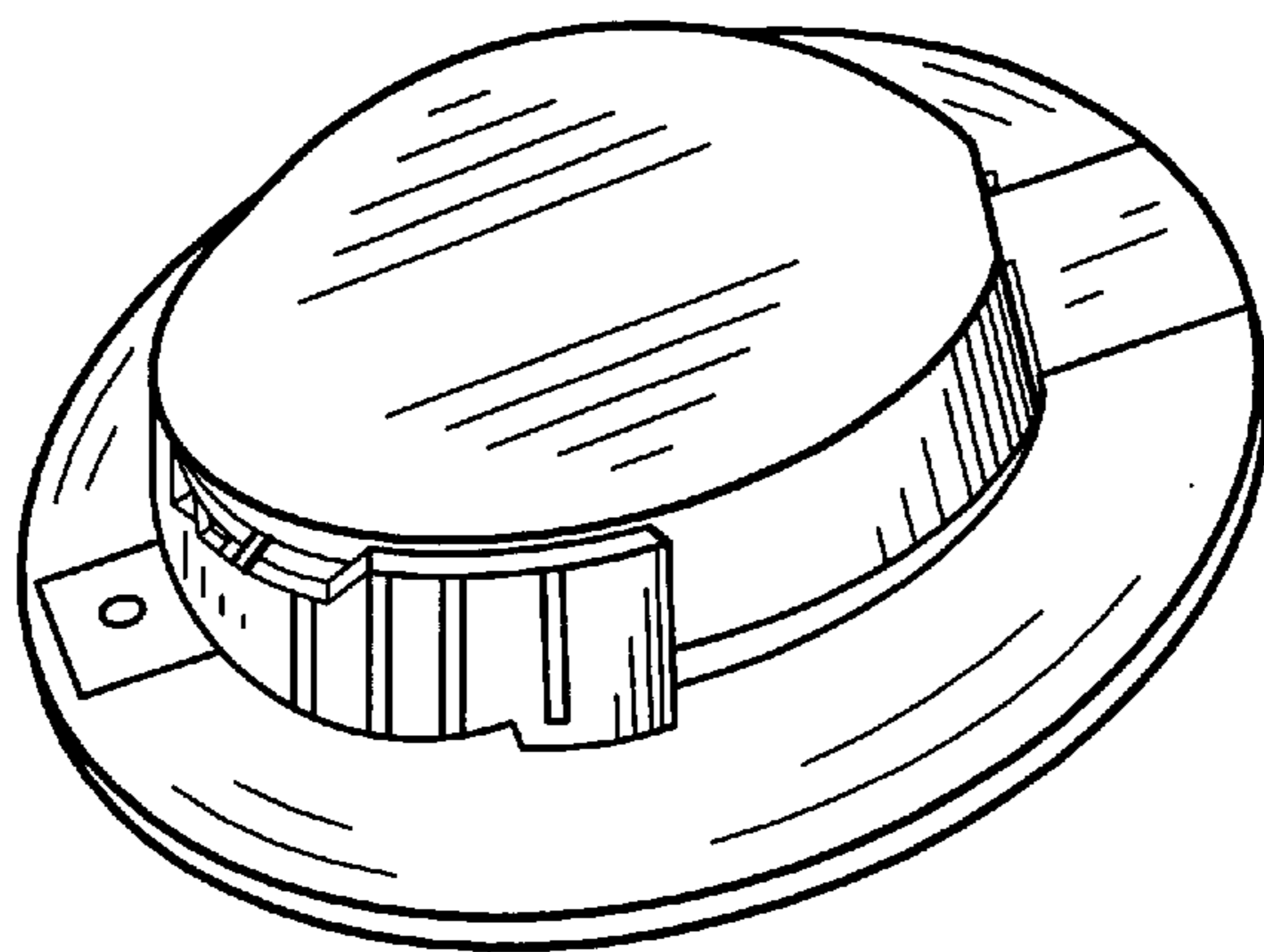


FIG. 2

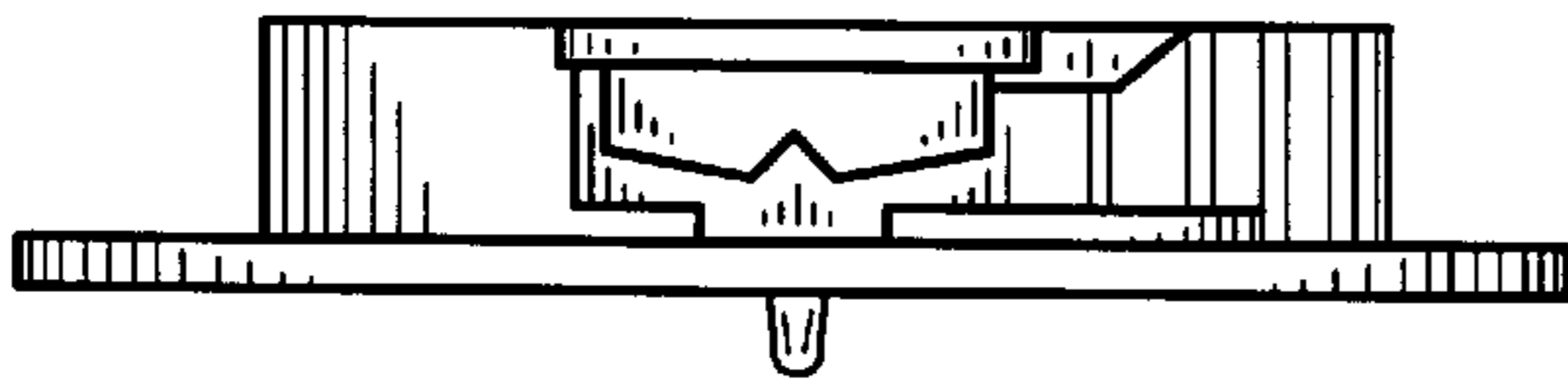


FIG. 3

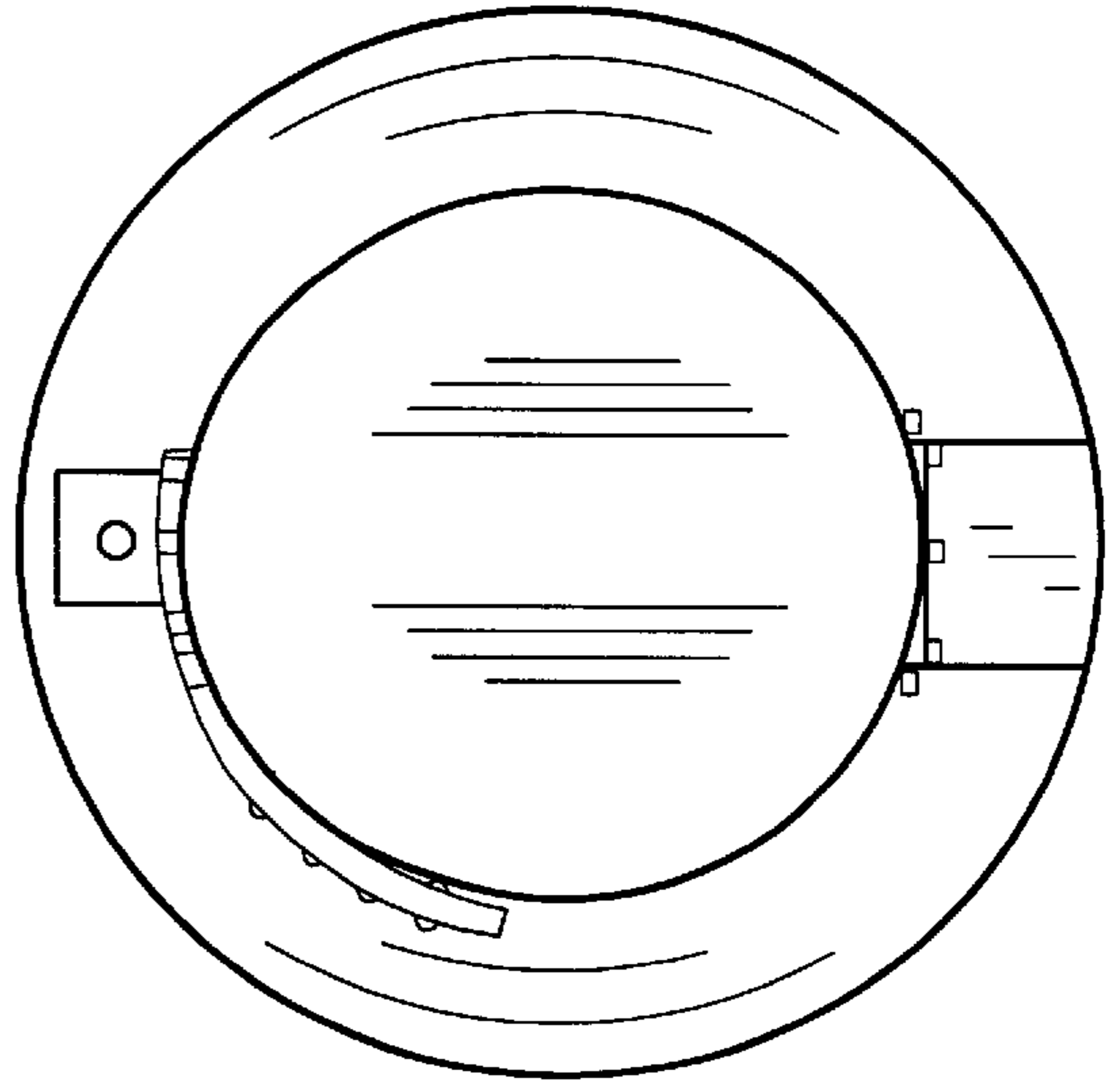


FIG. 4

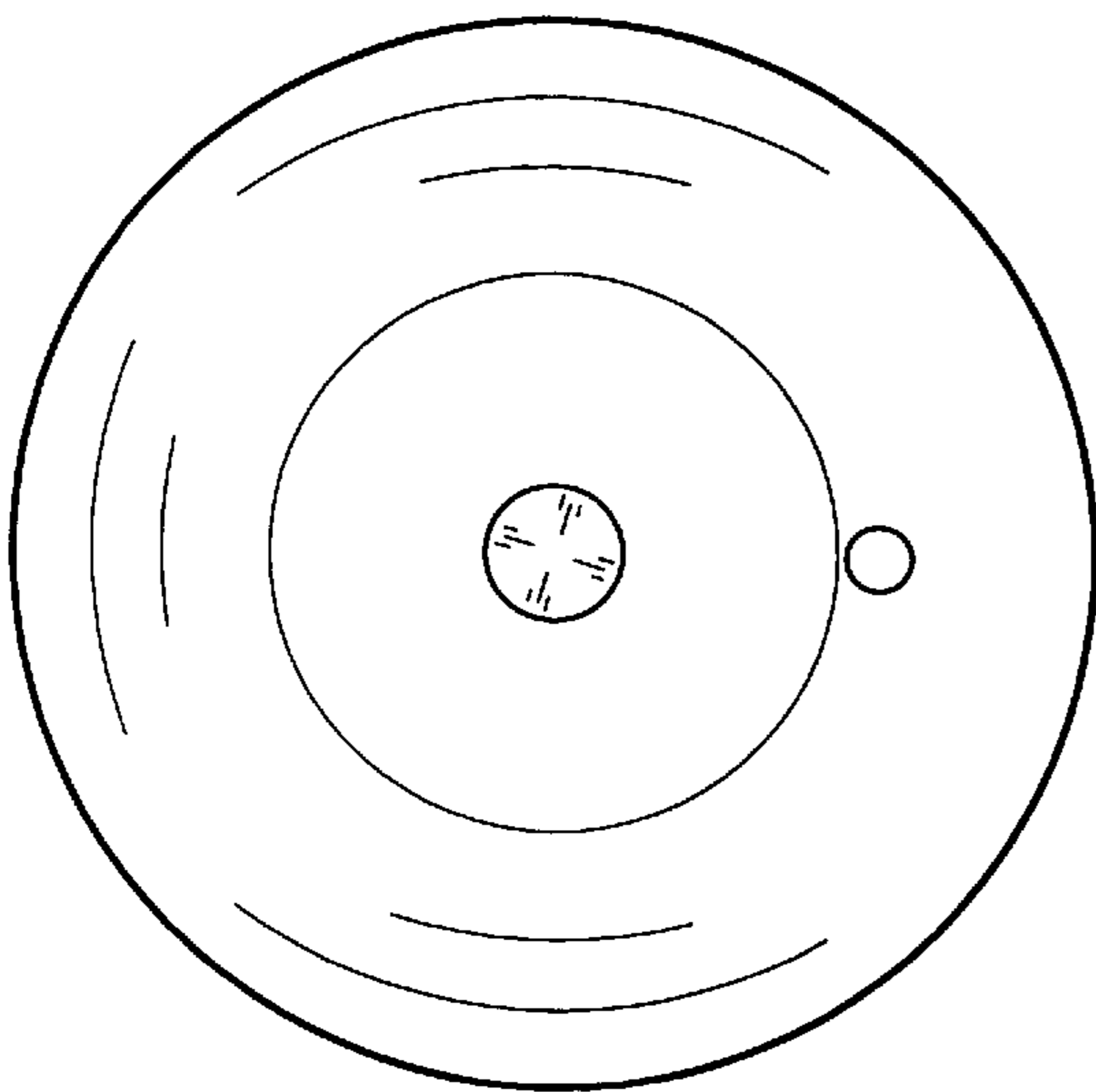


FIG. 7

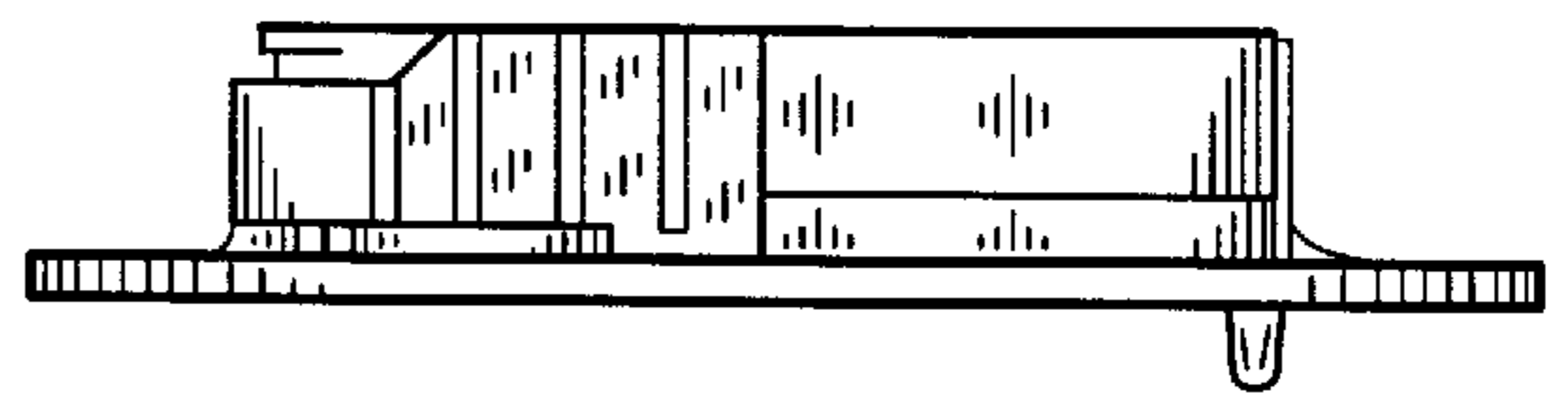


FIG. 5

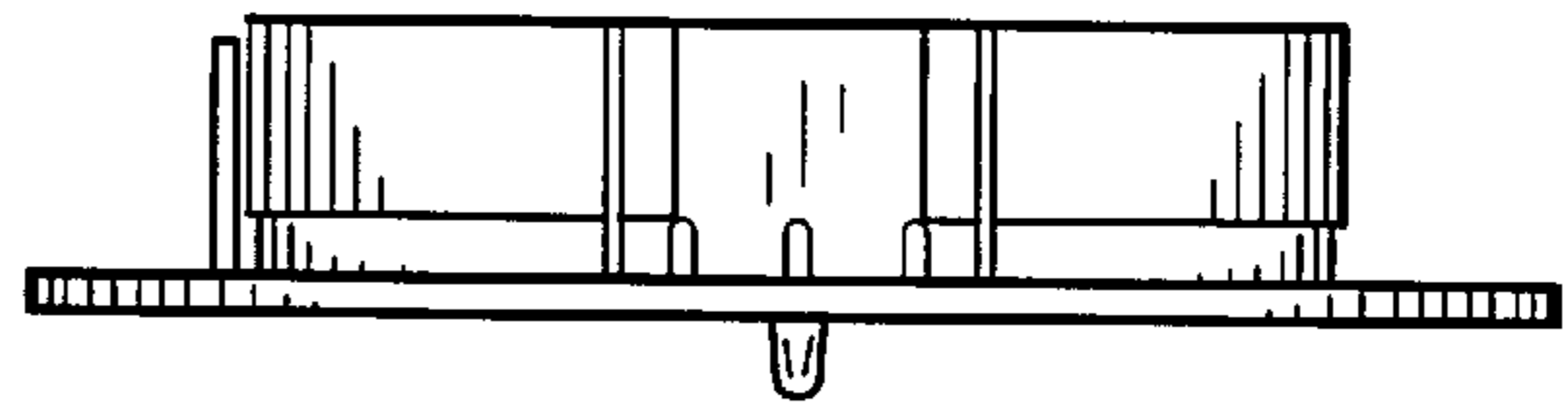


FIG. 6