



US00D407644S

# United States Patent [19] de Maillard et al.

[11] **Patent Number: Des. 407,644**

[45] **Date of Patent: \*\*Apr. 6, 1999**

[54] **CAP AND HEAD OF AN AEROSOL CAN**

D. 365,990 1/1996 McSwiggan et al. .... D9/448  
5,207,657 5/1993 Gibilisco ..... 222/546 X

[75] Inventors: **Thibault de Maillard; Claude Bernard Michelot**, both of Angoulete, France

### FOREIGN PATENT DOCUMENTS

2211491 7/1989 United Kingdom ..... 222/182

[73] Assignee: **Societe de Produits Plastiques, d'Entretien et Chimiques (SOPPEC)**, Nersac, France

*Primary Examiner*—James Gandy  
*Assistant Examiner*—Cathron B. Matta  
*Attorney, Agent, or Firm*—Fulbright & Jaworski LLP

[\*\*] Term: **14 Years**

### [57] CLAIM

[21] Appl. No.: **64,927**

The ornamental design for cap and head of an aerosol can, as shown and described.

[22] Filed: **Jan. 15, 1997**

### DESCRIPTION

### [30] Foreign Application Priority Data

Jul. 15, 1996 [FR] France ..... 964230

[51] **LOC (6) Cl.** ..... **09-07**

[52] **U.S. Cl.** ..... **D9/448**

[58] **Field of Search** ..... D9/435, 444, 445, D9/447, 448, 300, 503, 504, 529; 220/915; 222/153.1, 153.11, 182, 402.11, 402.13, 402.14, 402.21, 546

FIG. 1 is a perspective view of the cap and head of an aerosol can;

FIG. 2 is a front view of the cap and head of an aerosol can;

FIG. 3 is a rear view of the cap and head of an aerosol can;

FIG. 4 is a perspective view, shown at a reduced scale, of the cap and head of an aerosol can;

FIG. 5 is a left side view of the cap and head of an aerosol can;

FIG. 6 is a right side view of the cap and head of an aerosol can; and,

FIG. 7 is an overhead view of the cap and head of an aerosol can.

The broken lines are representative of the environmental structure and form no part of the claimed design.

### [56] References Cited

#### U.S. PATENT DOCUMENTS

D. 243,975 4/1977 Persson ..... D9/504 X  
D. 255,098 5/1980 Hayes et al. .... D9/448  
D. 318,231 7/1991 Lay et al. .... D9/435  
D. 337,044 7/1993 Pronchick ..... D9/448

**1 Claim, 2 Drawing Sheets**

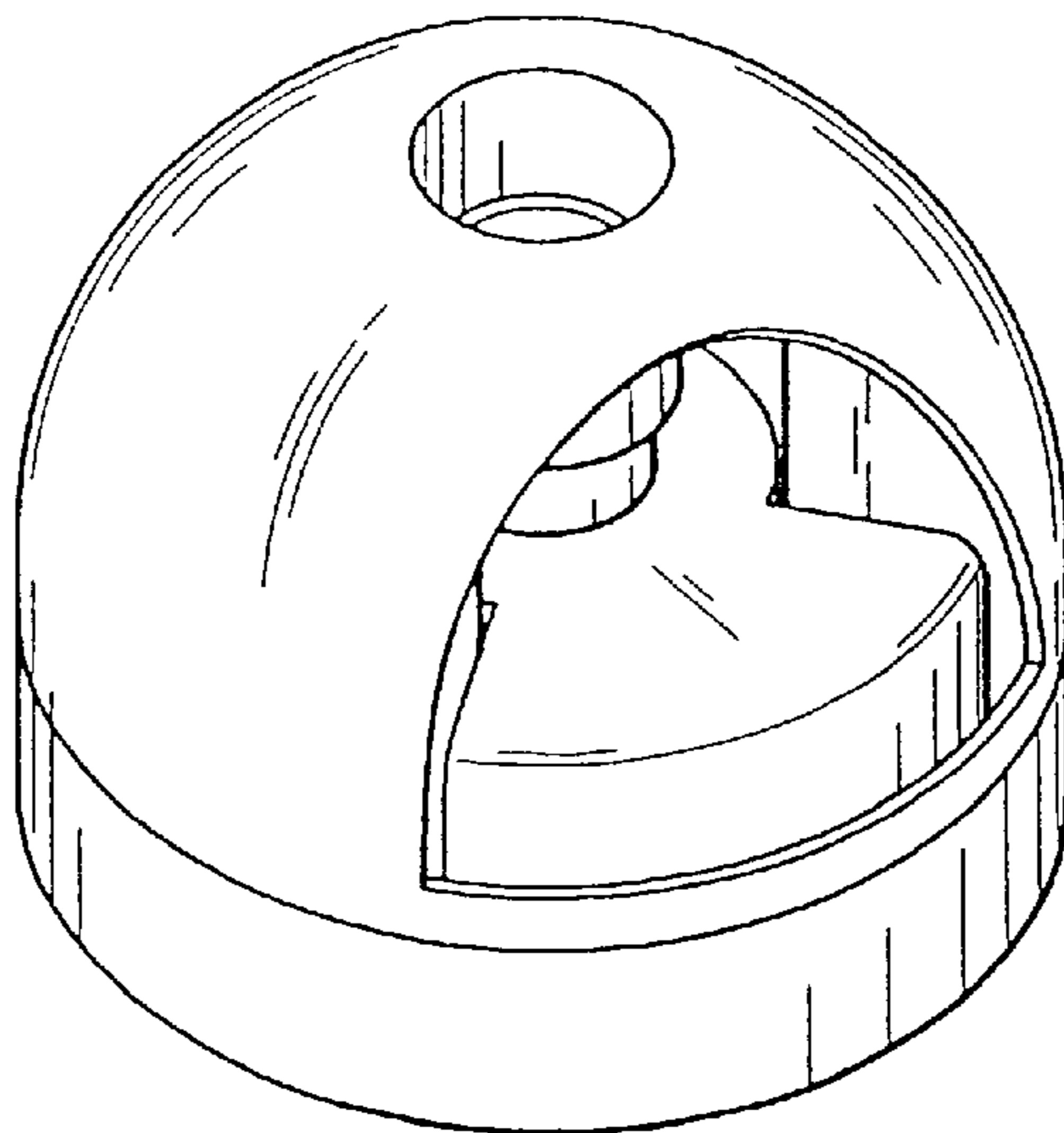


FIG.1

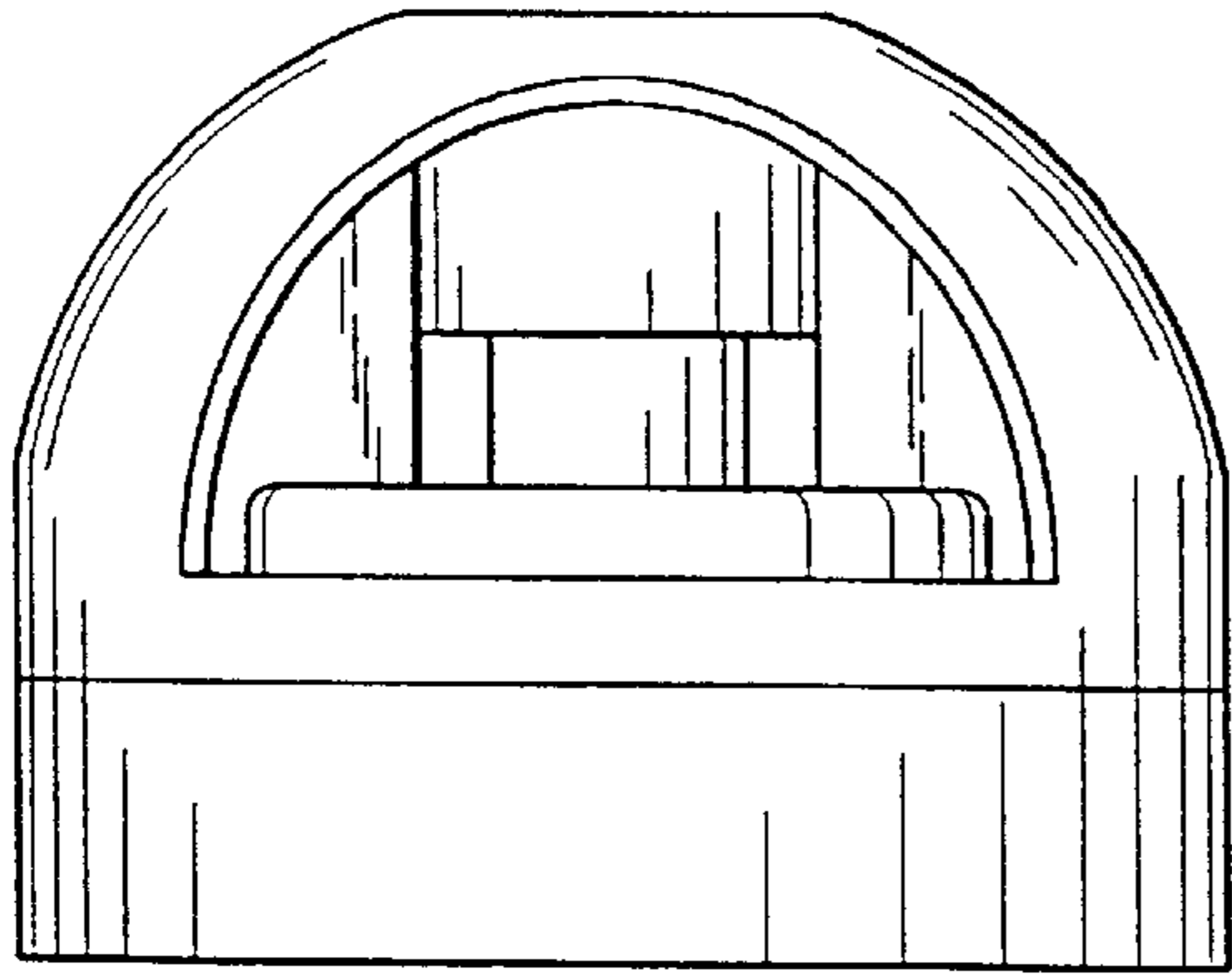
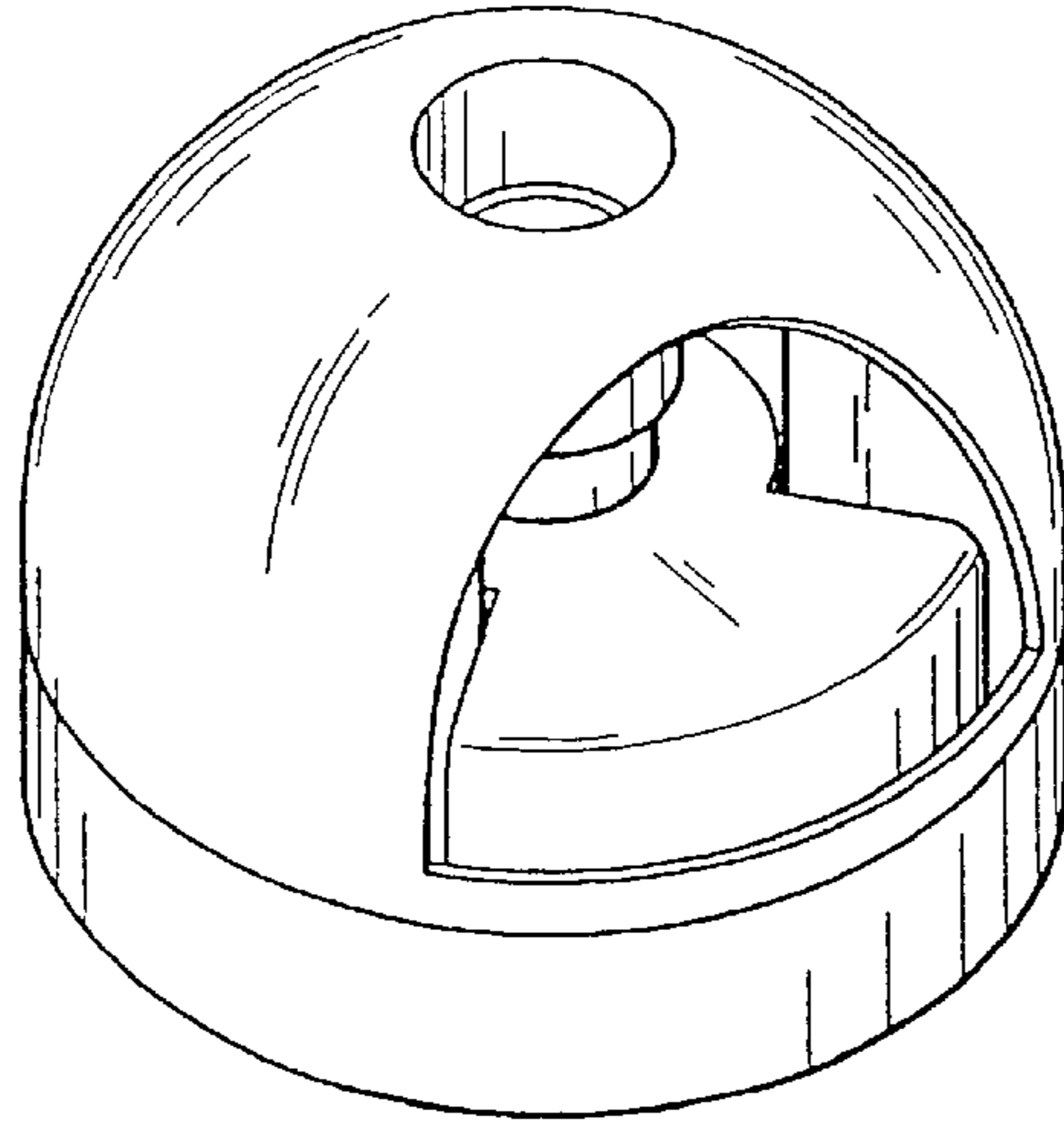


FIG.2

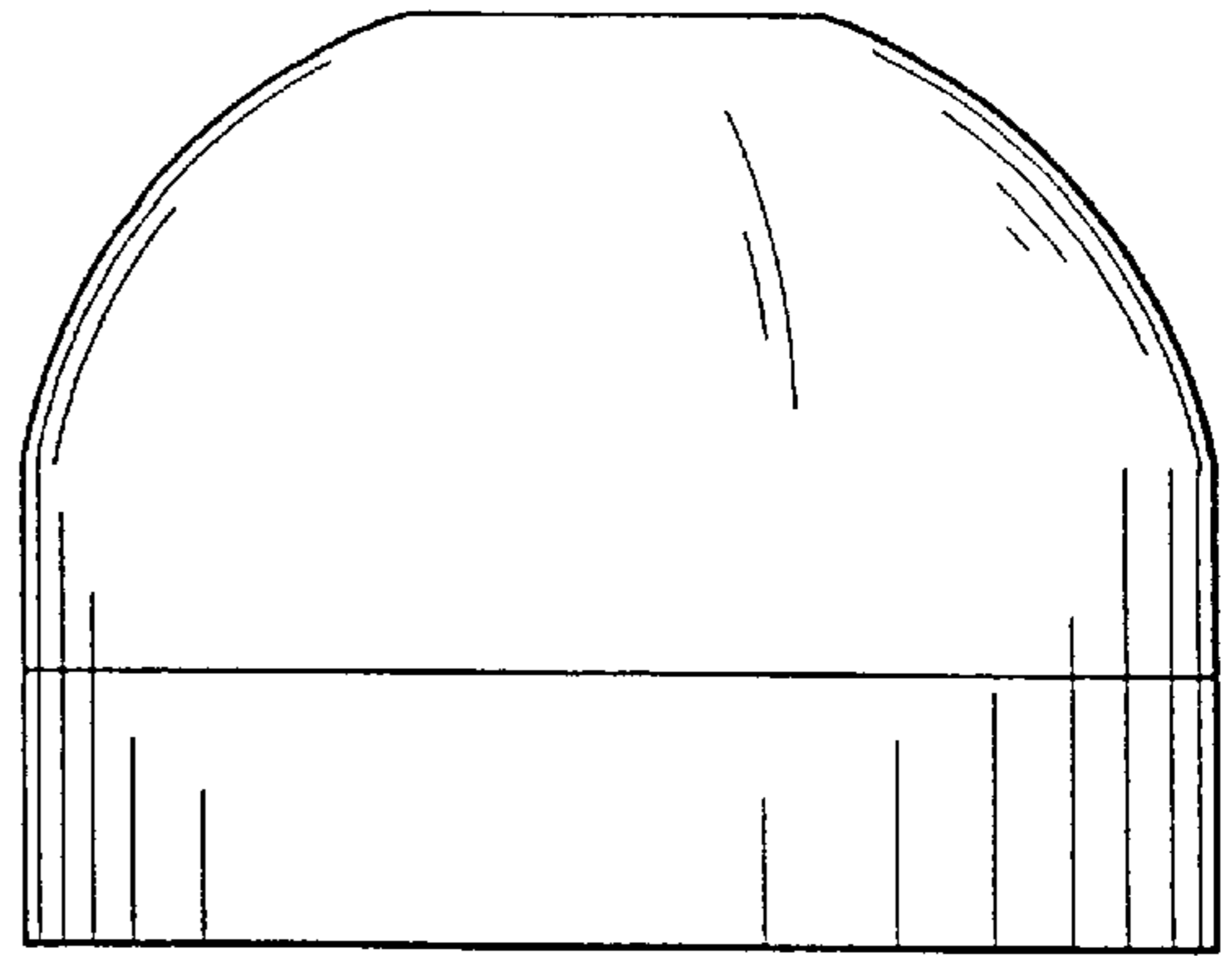
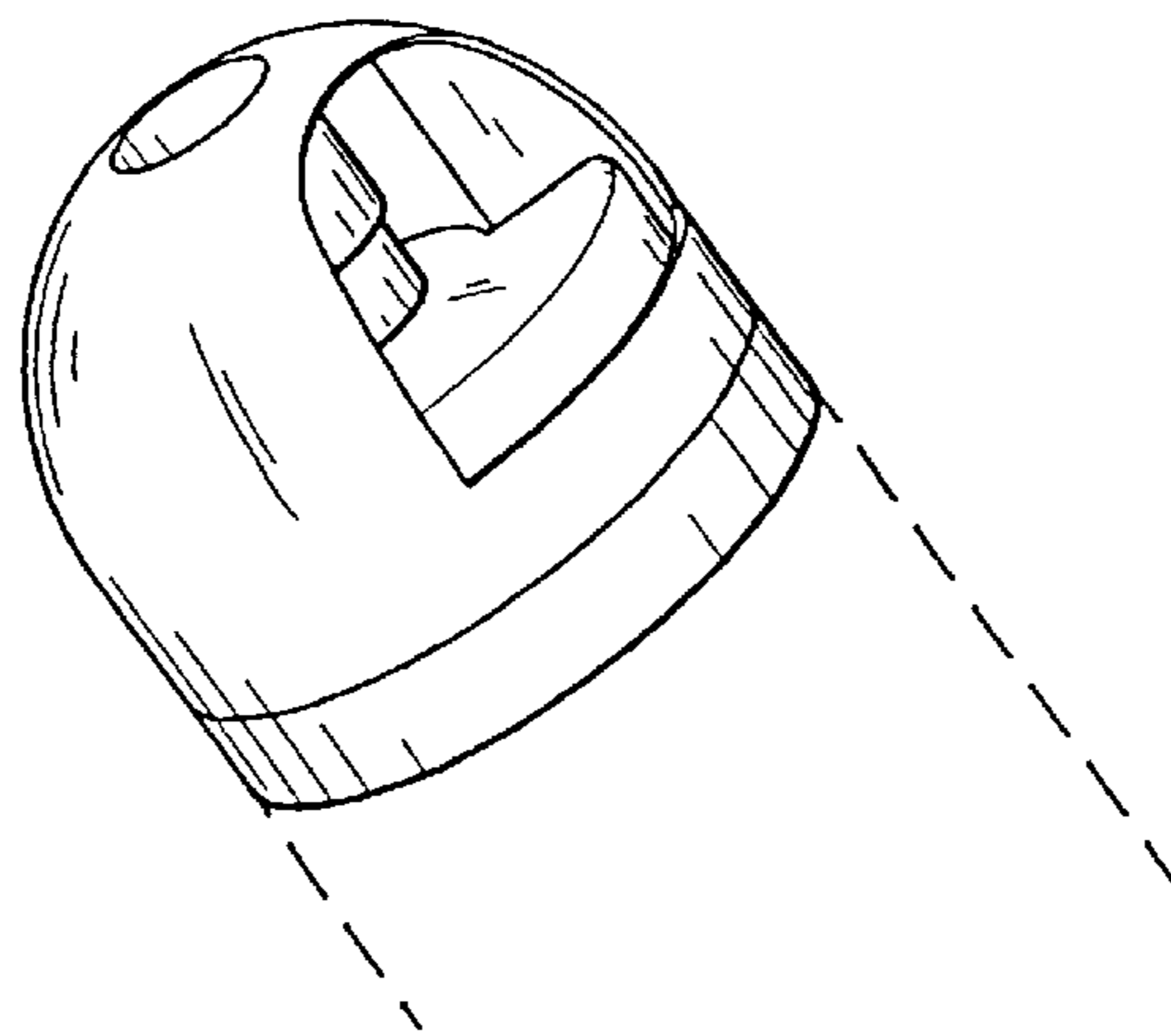


FIG.3

FIG.4



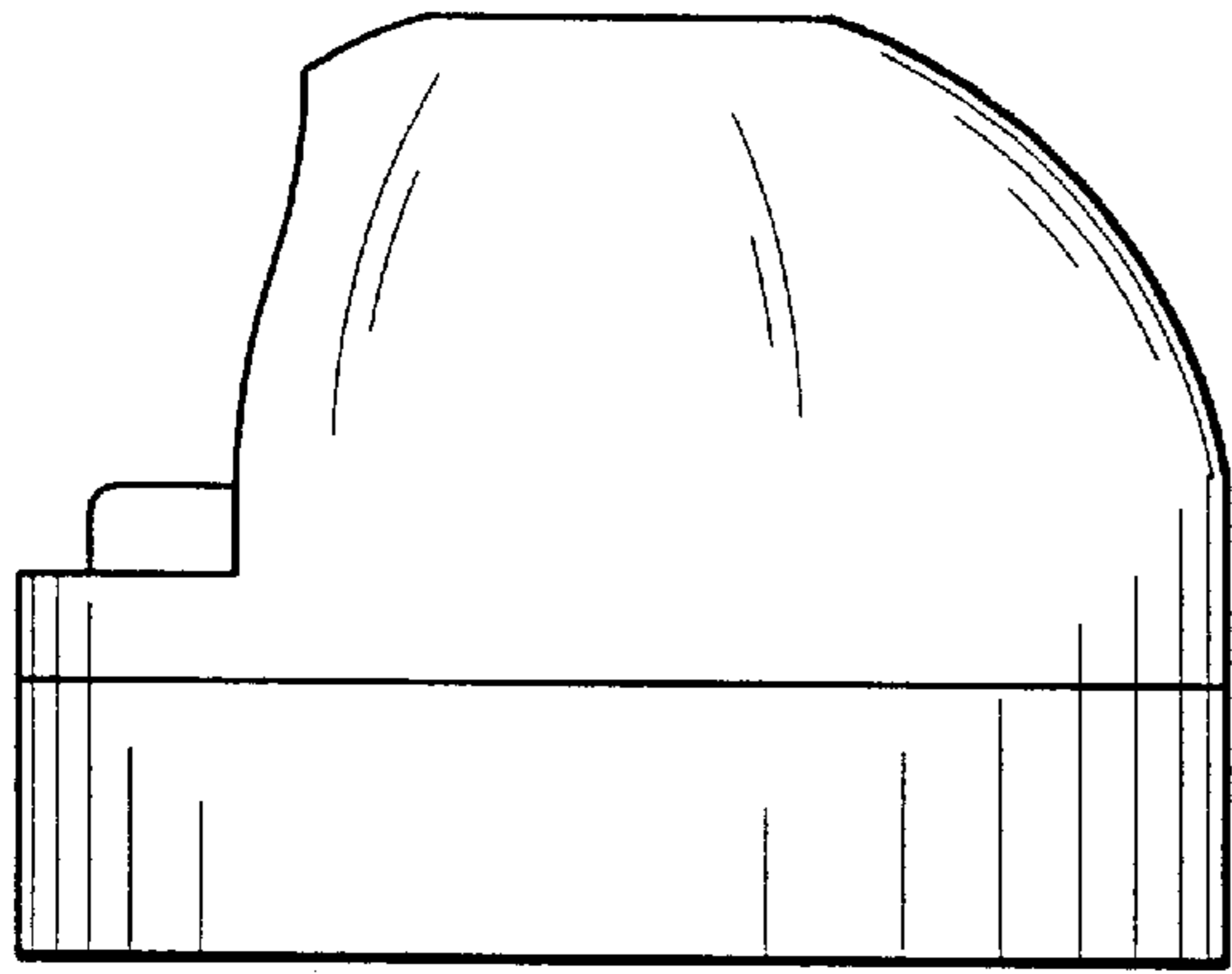


FIG. 5

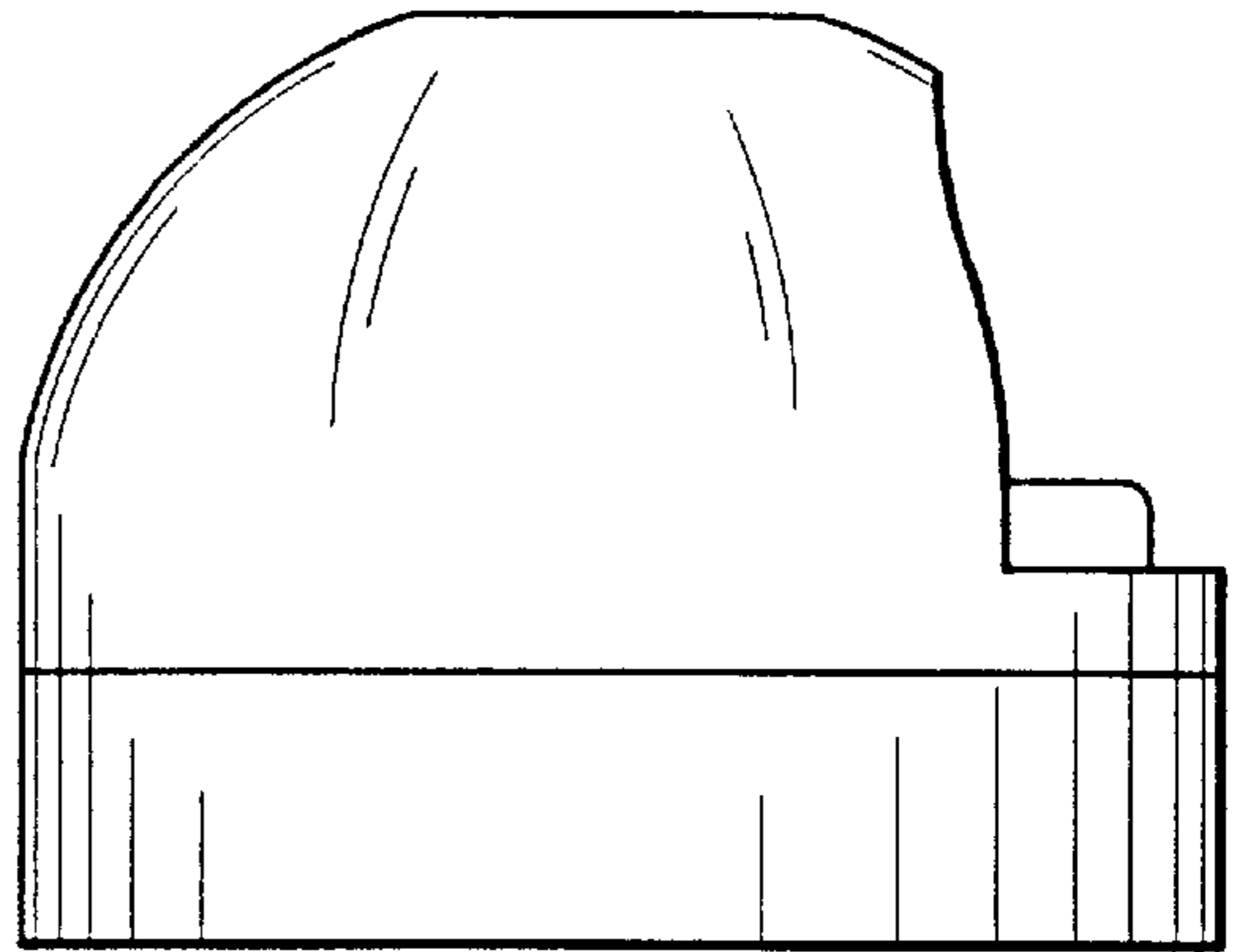


FIG. 6

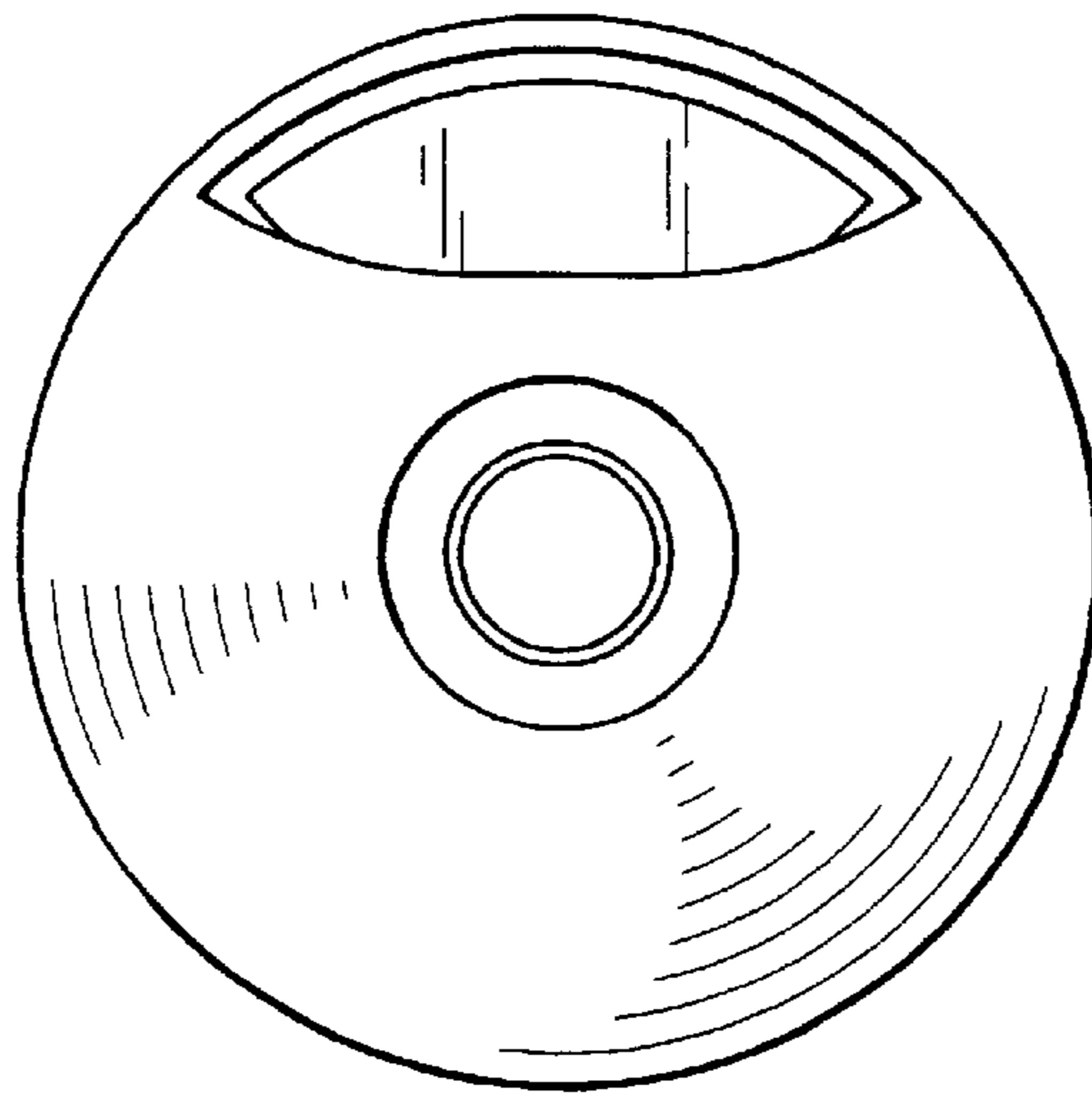


FIG. 7