



US00D407638S

**United States Patent** [19]  
**DuCorday**

[11] **Patent Number: Des. 407,638**  
[45] **Date of Patent: \*\*Apr. 6, 1999**

[54] **CORNER HANDLE FOR A BAG**

[76] Inventor: **Gerard Marquis DuCorday**, 10871  
Thorley Rd., Santa Ana, Calif. 92705

[\*\*] Term: **14 Years**

[21] Appl. No.: **82,255**

[22] Filed: **Jan. 20, 1998**

[51] **LOC (6) Cl. .... 09-07**

[52] **U.S. Cl. .... D9/434**

[58] **Field of Search** ..... D9/434, 443; D3/323,  
D3/324; D8/320; 383/12, 13, 16, 22, 23,  
24, 78, 81, 92; D6/315, 317, 318, 319,  
326

[56] **References Cited**

**U.S. PATENT DOCUMENTS**

D. 223,230	4/1972	Kamins et al. ....	D9/434 X
D. 333,431	2/1993	Allen .....	D9/434 X
4,834,553	5/1989	Bennett .....	383/23

*Primary Examiner*—James Gandy  
*Assistant Examiner*—Cathron B. Matta  
*Attorney, Agent, or Firm*—Gene Scott—Patent Law &  
Venture Group

[57] **CLAIM**

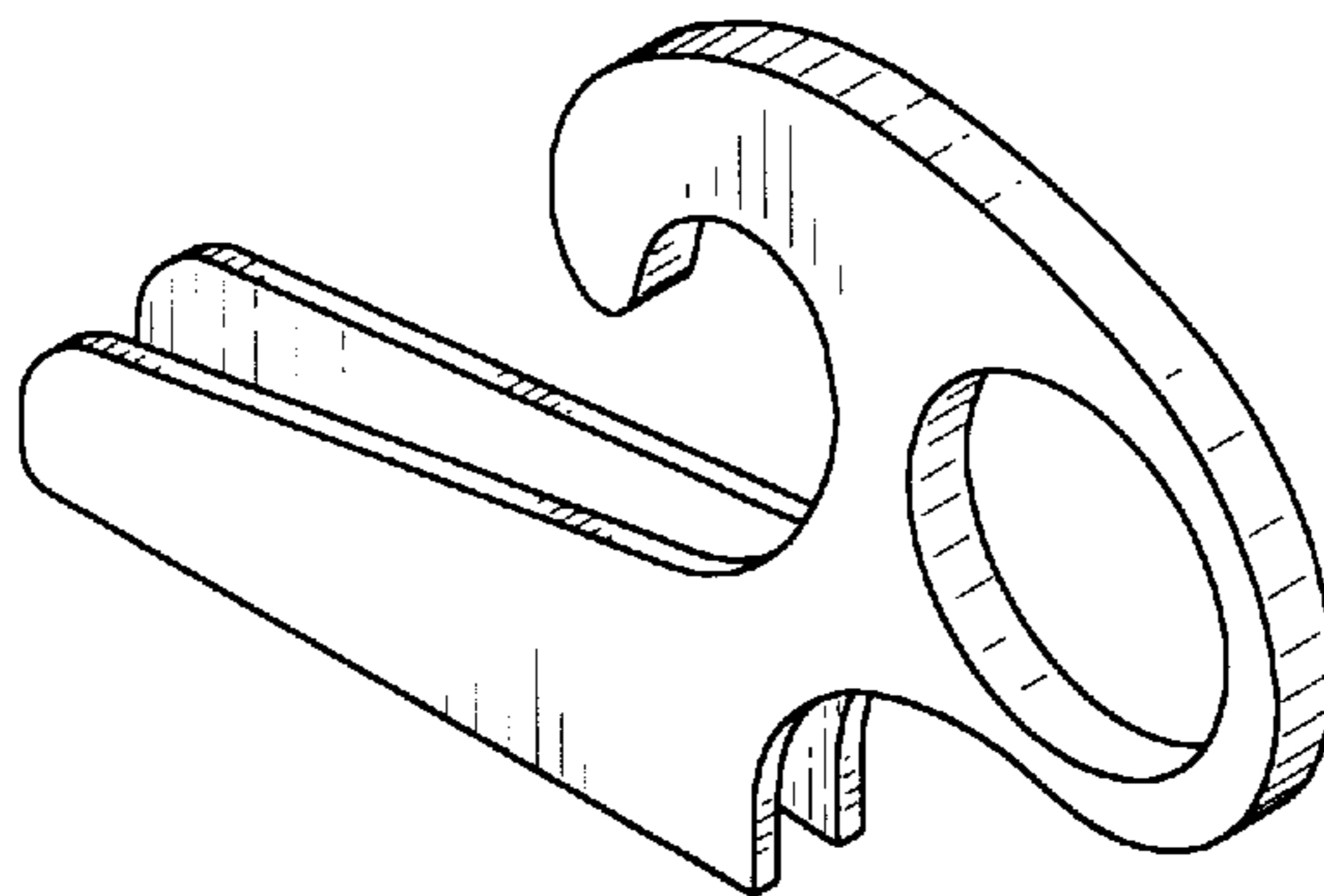
The ornamental design for a “corner handle for a bag,” as shown and described.

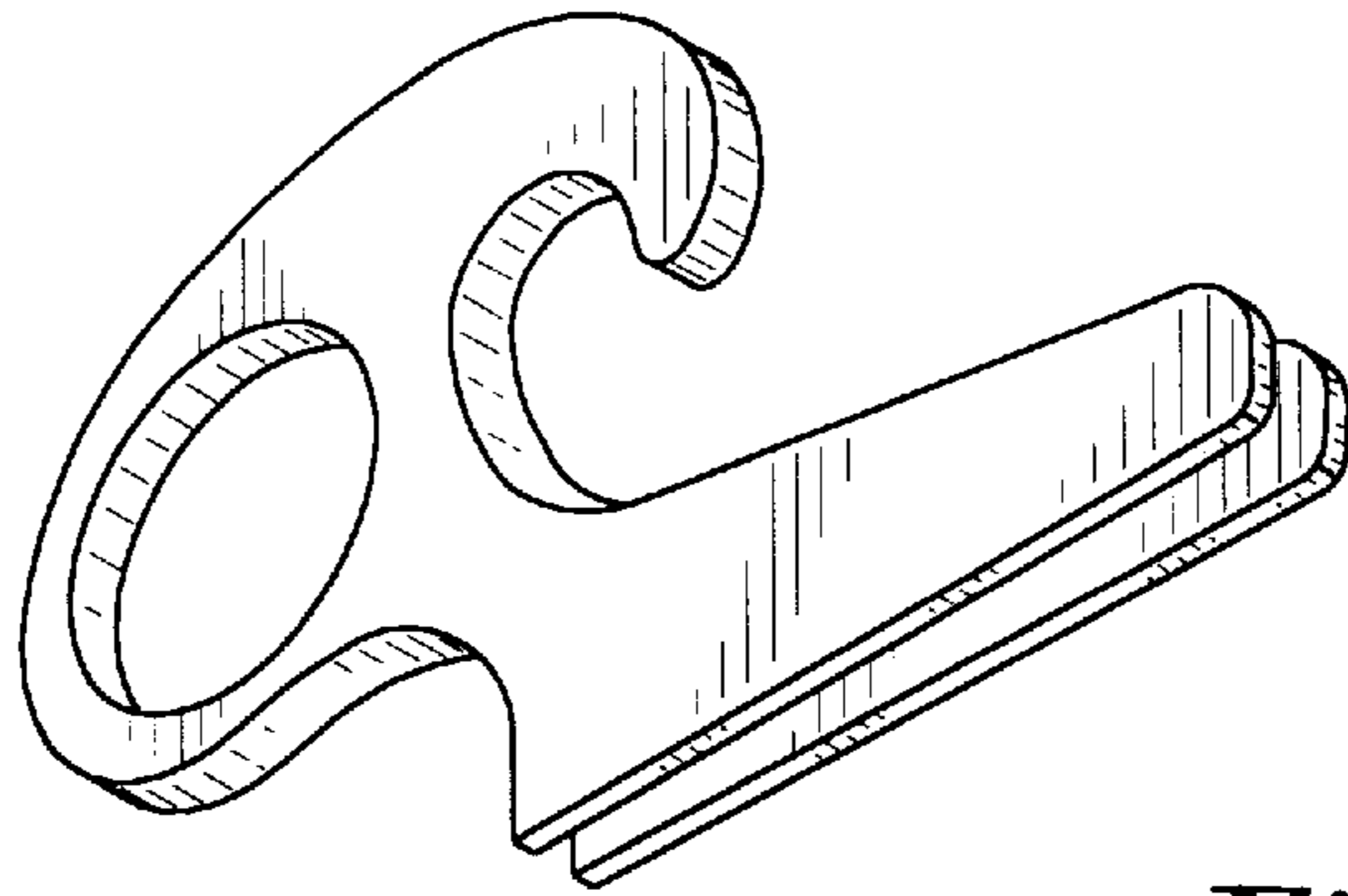
**DESCRIPTION**

FIG. 1 is a perspective view of a corner handle for a bag, showing my new design from above;  
FIG. 2 is a perspective view thereof, showing my new design from below;  
FIG. 3 is a top plan view thereof;  
FIG. 4 is a left side elevational view thereof;  
FIG. 5 is a front elevational view thereof, a rear elevational view being a mirror image;  
FIG. 6 is a right side elevational view thereof; and,  
FIG. 7 is a bottom plan view thereof.

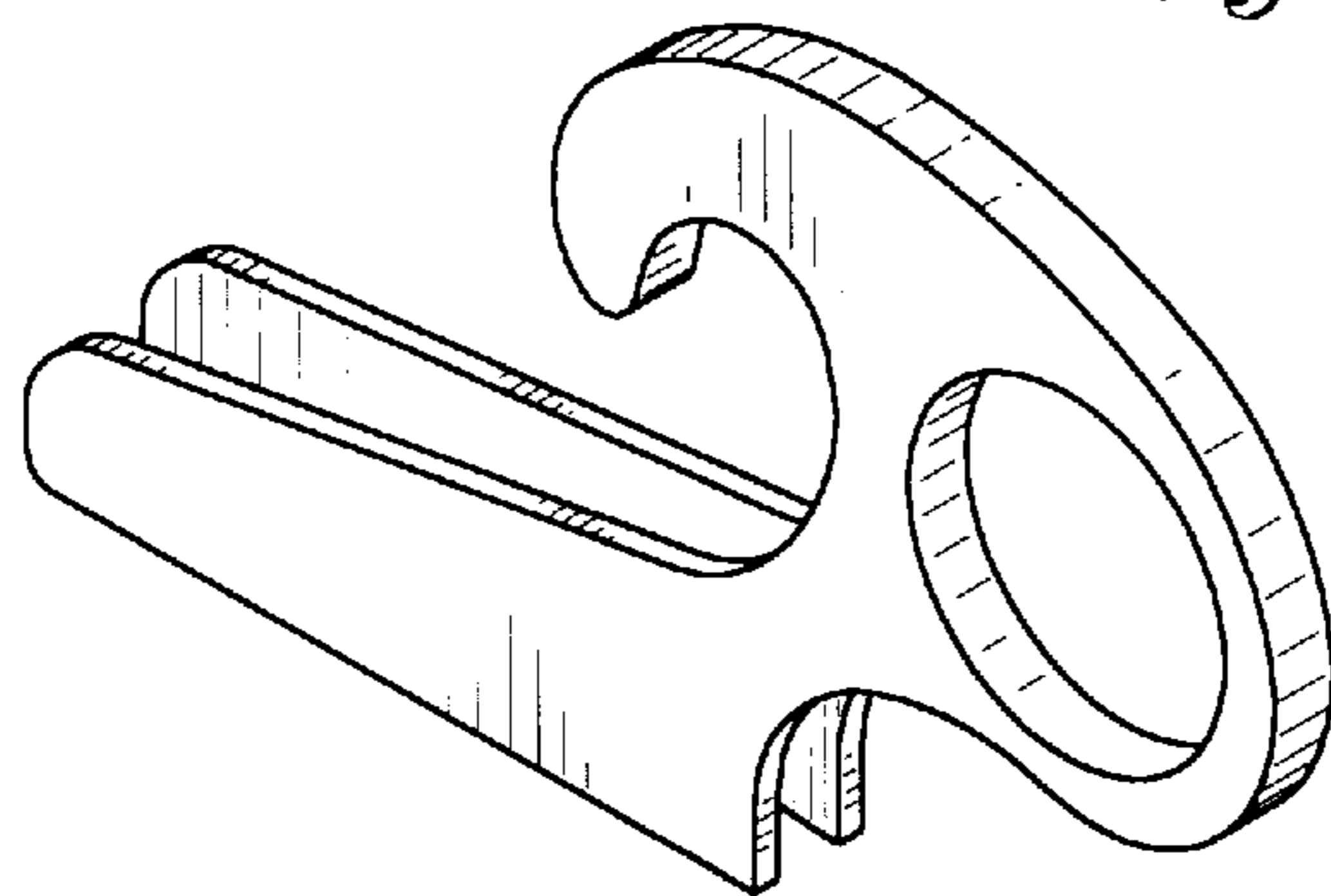
The broken line environmental structure is for illustrative purposes only and forms no part of the claimed design.

**1 Claim, 2 Drawing Sheets**





*Fig. 2*



*Fig. 1*

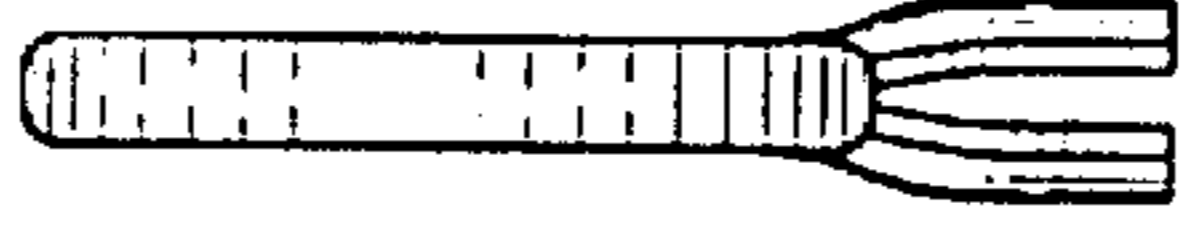
*Fig. 3*



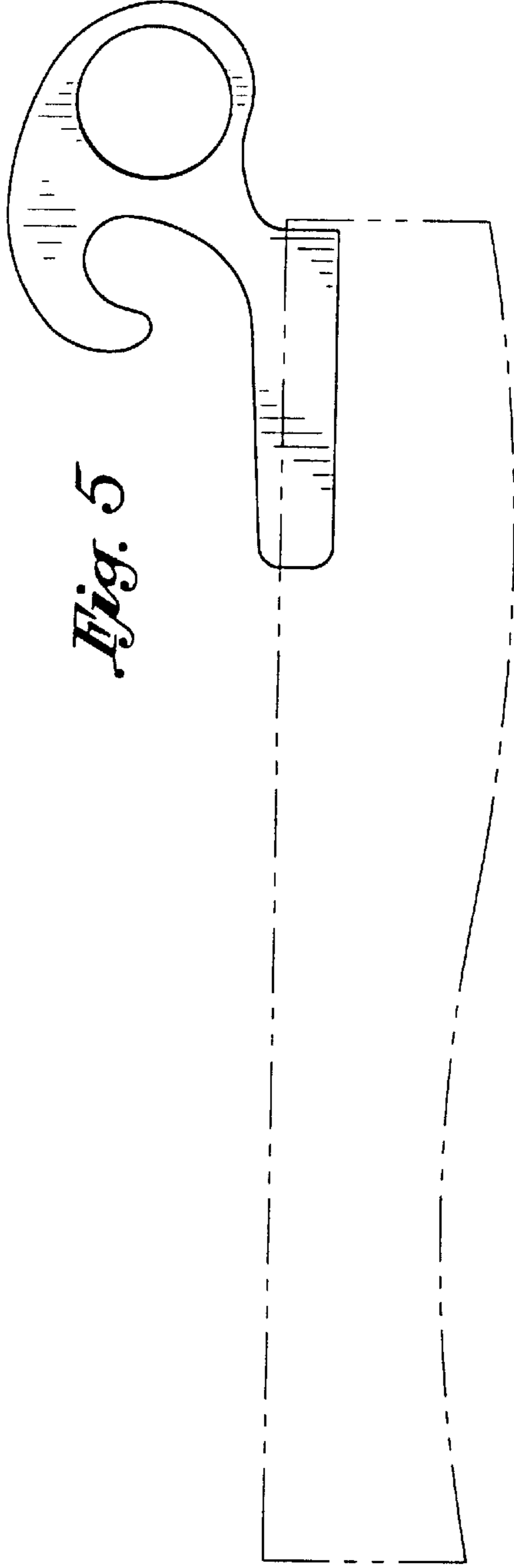
*Fig. 4*



*Fig. 6*



*Fig. 5*



*Fig. 7*

