

US00D407637S

United States Patent [19]
Pratt

[11] **Patent Number:** **Des. 407,637**

[45] **Date of Patent:** ****Apr. 6, 1999**

[54] **CONTAINER CARRIER**

[75] Inventor: **David A. Pratt**, Bardstown, Ky.

[73] Assignee: **Owens-Illinois Labels Inc.**, Toledo, Ohio

[**] Term: **14 Years**

[21] Appl. No.: **79,577**

[22] Filed: **Nov. 14, 1997**

[51] **LOC (6) Cl.** **09-03**

[52] **U.S. Cl.** **D9/344**

[58] **Field of Search** D9/341, 344, 434;
206/148, 149, 151, 161, 194, 199, 427;
294/87.2

[56] **References Cited**

U.S. PATENT DOCUMENTS

D. 282,908	3/1986	Panazzolo	D9/344
D. 283,676	5/1986	Kochling	D9/344
D. 294,331	2/1988	Panazzolo	.	
D. 329,807	9/1992	Heider	D9/344
3,912,075	10/1975	Berry	.	

4,460,084	7/1984	Miller	.	
4,487,312	12/1984	Heider	.	
4,709,808	12/1987	Balduff et al.	206/427 X
4,712,680	12/1987	Panazzolo	.	
4,872,549	10/1989	Panzzolo	206/199 X

Primary Examiner—Ted Shooman
Assistant Examiner—Nanda Bondade

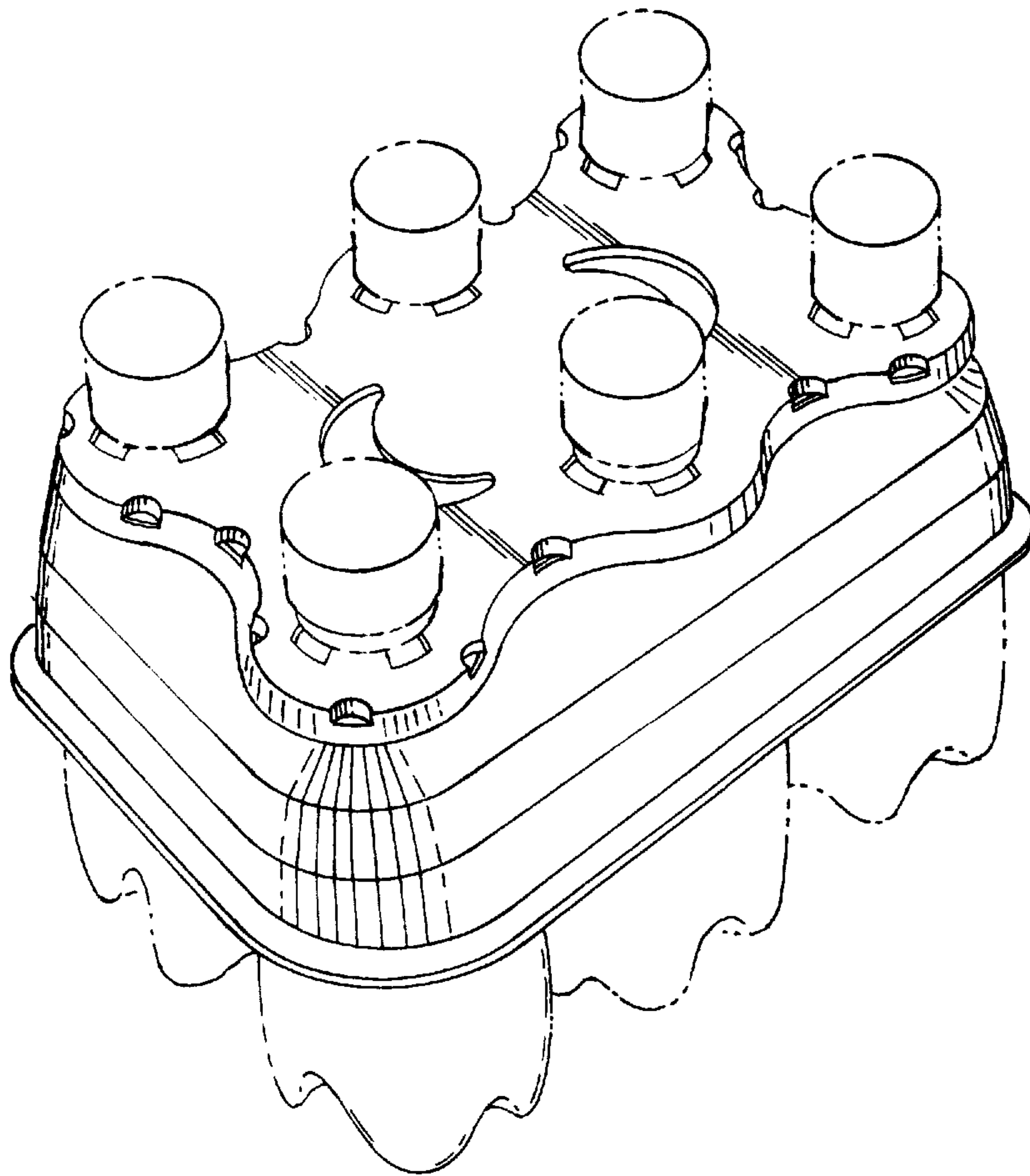
[57] **CLAIM**

The ornamental design for a container carrier, as shown and described.

DESCRIPTION

FIG. 1 is a top plan view of the container carrier, the bottom view being essentially the same as in FIG. 1;
FIG. 2 is a side elevational view of the container carrier, the opposing side elevational view being identical thereto;
FIG. 3 is an end elevational view of the container carrier, the opposing end elevational view being identical thereto; and,
FIG. 4 is a reduced perspective view of the carrier container, the broken lines showing containers is for illustrative purposes only and forming no part of the claimed design.

1 Claim, 2 Drawing Sheets



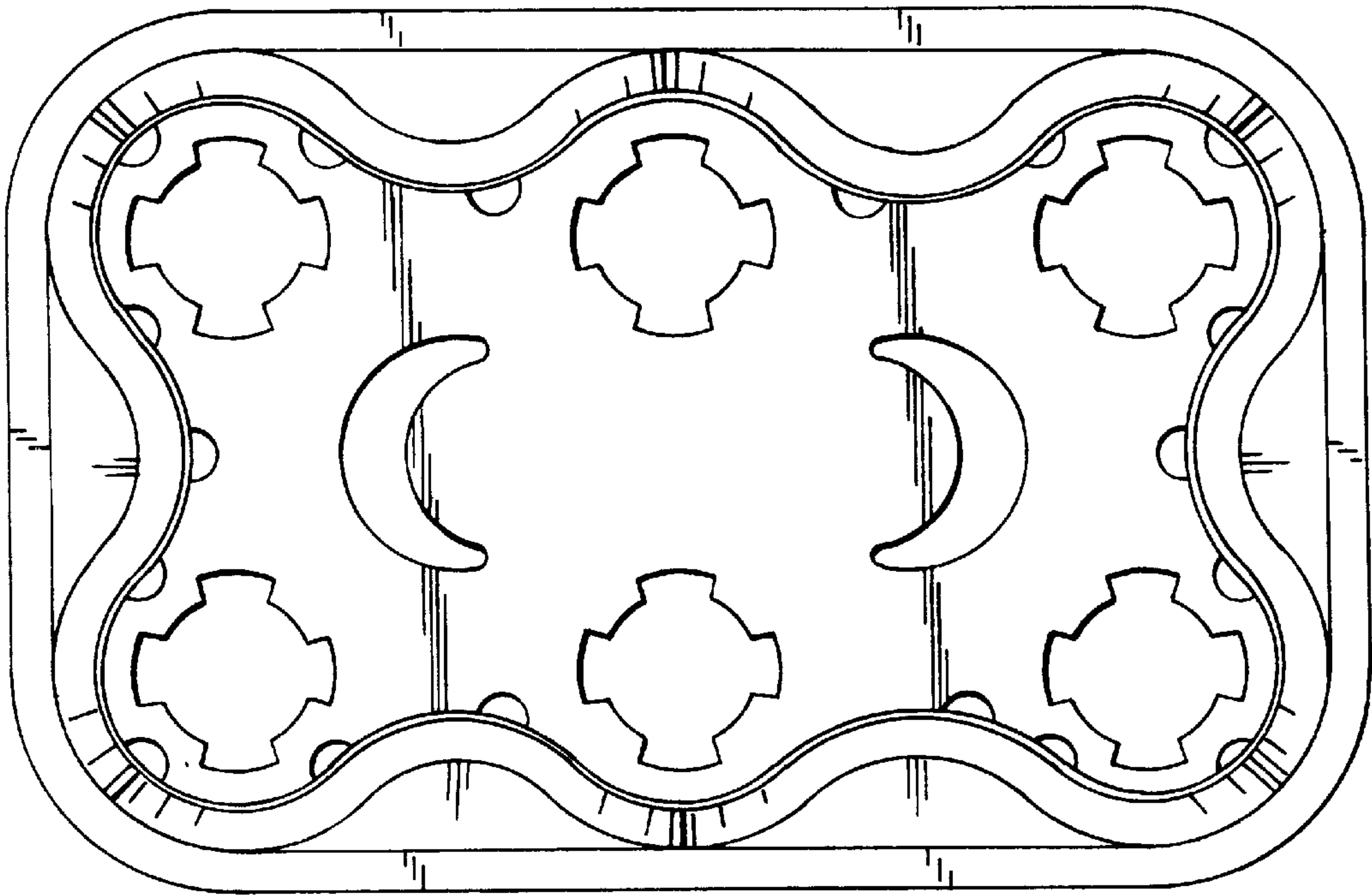


FIG. 1

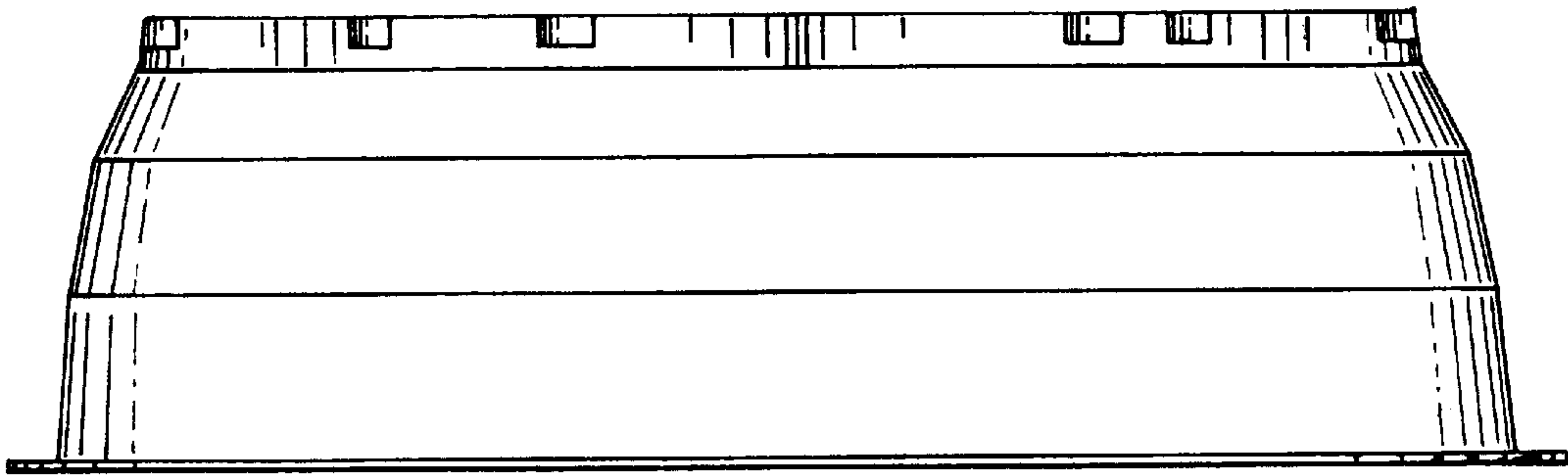


FIG. 2

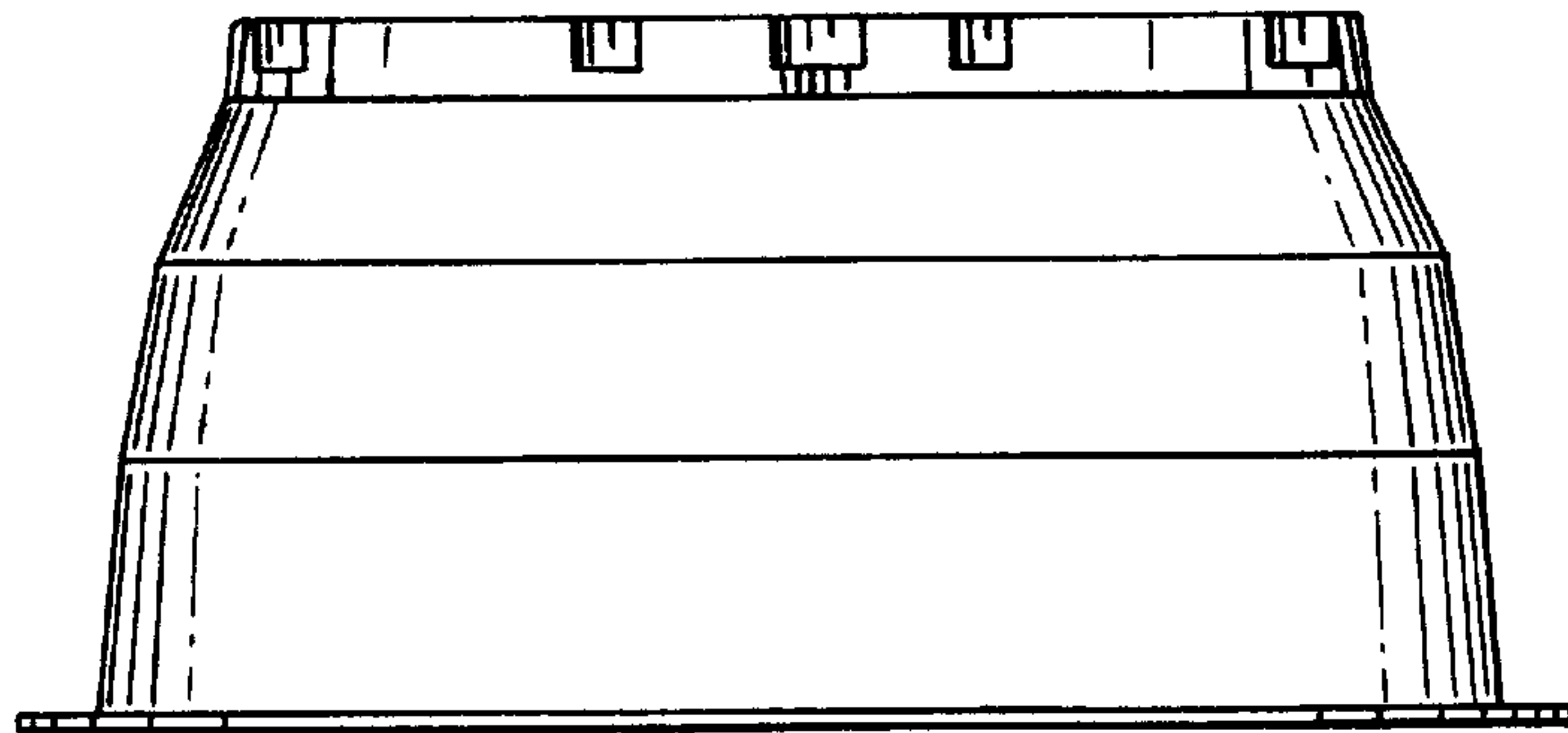


FIG. 3

