



US00D407627S

# United States Patent [19]

Fischer

[11] Patent Number: Des. 407,627

[45] Date of Patent: \*\*Apr. 6, 1999

## [54] MOUNTING PLATE FOR BRACKET ASSEMBLY

[76] Inventor: Roy Fischer, 7641 E. Gray Rd., Scottsdale, Ariz. 85260

[\*\*] Term: 14 Years

[21] Appl. No.: 82,237

[22] Filed: Jan. 19, 1998

[51] LOC (6) Cl. .... 08-05

[52] U.S. Cl. .... D8/349

[58] Field of Search ..... D8/354, 349; 248/300, 248/200, 27.1, 274.1; 16/235

Primary Examiner—Holly Baynham  
Attorney, Agent, or Firm—Gregory J. Nelson

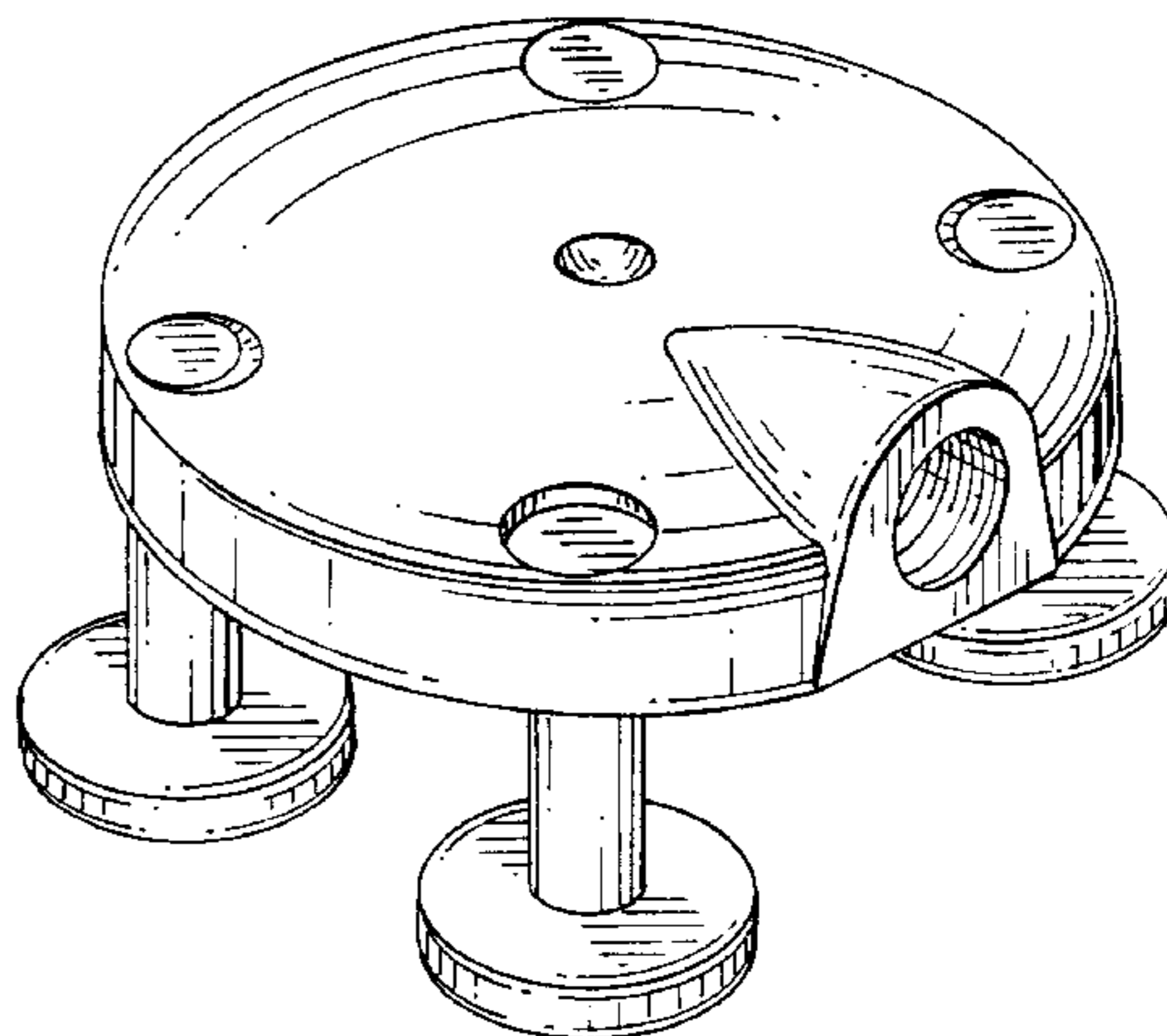
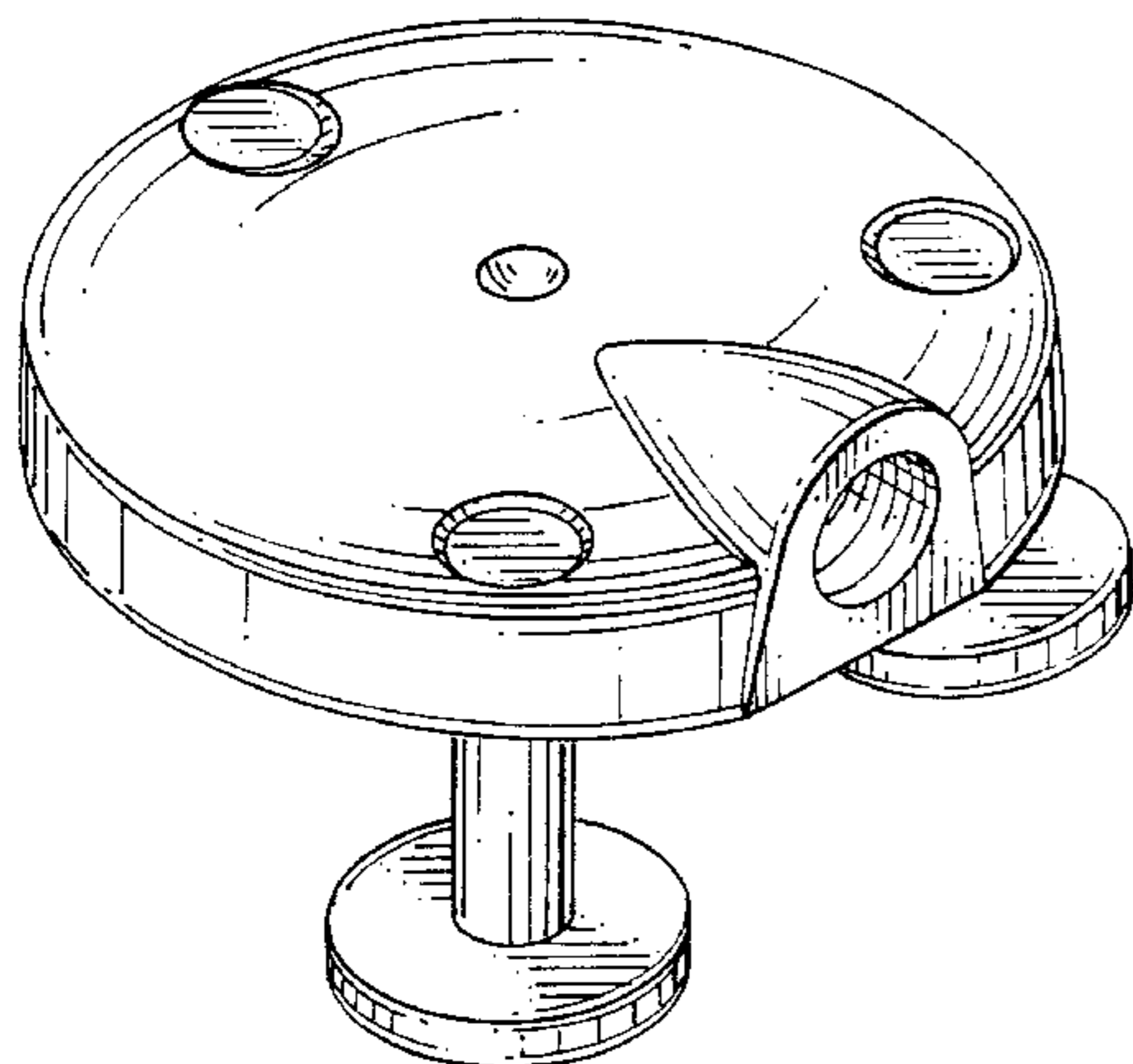
### [57] CLAIM

I claim the ornamental design for a mounting plate for bracket assembly, as shown and described.

### DESCRIPTION

FIG. 1 is a perspective viewing showing the mounting plate of my new design;  
FIG. 2 is a top view thereof;  
FIG. 3 is a bottom view thereof;  
FIG. 4 is a side view thereof taken from the right side as viewed in FIG. 1 with the left side view being a mirror image thereof;  
FIG. 5 is a rear view thereof;  
FIG. 6 is a front view thereof;  
FIG. 7 is a perspective view of an alternate embodiment of the mount plate of my new design;  
FIG. 8 is a top view thereof;  
FIG. 9 is a bottom view thereof;  
FIG. 10 is a side view of the mounting plate of my design as viewed from the right side of FIG. 7 with opposite side view being a mirror image thereof;  
FIG. 11 is a rear view thereof; and,  
FIG. 12 is a front view of the mounting plate of my new design.

1 Claim, 2 Drawing Sheets



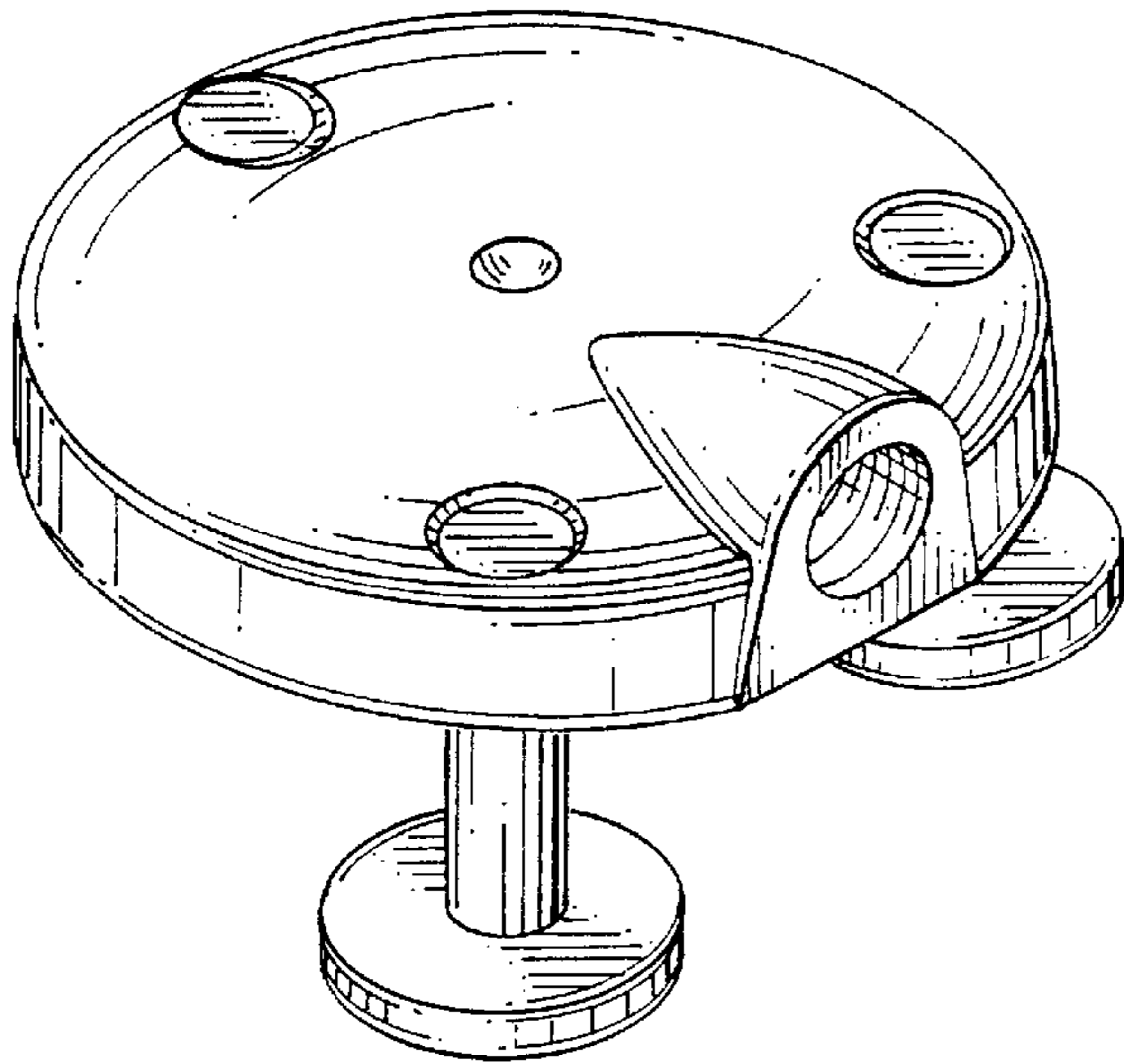


FIG. 1

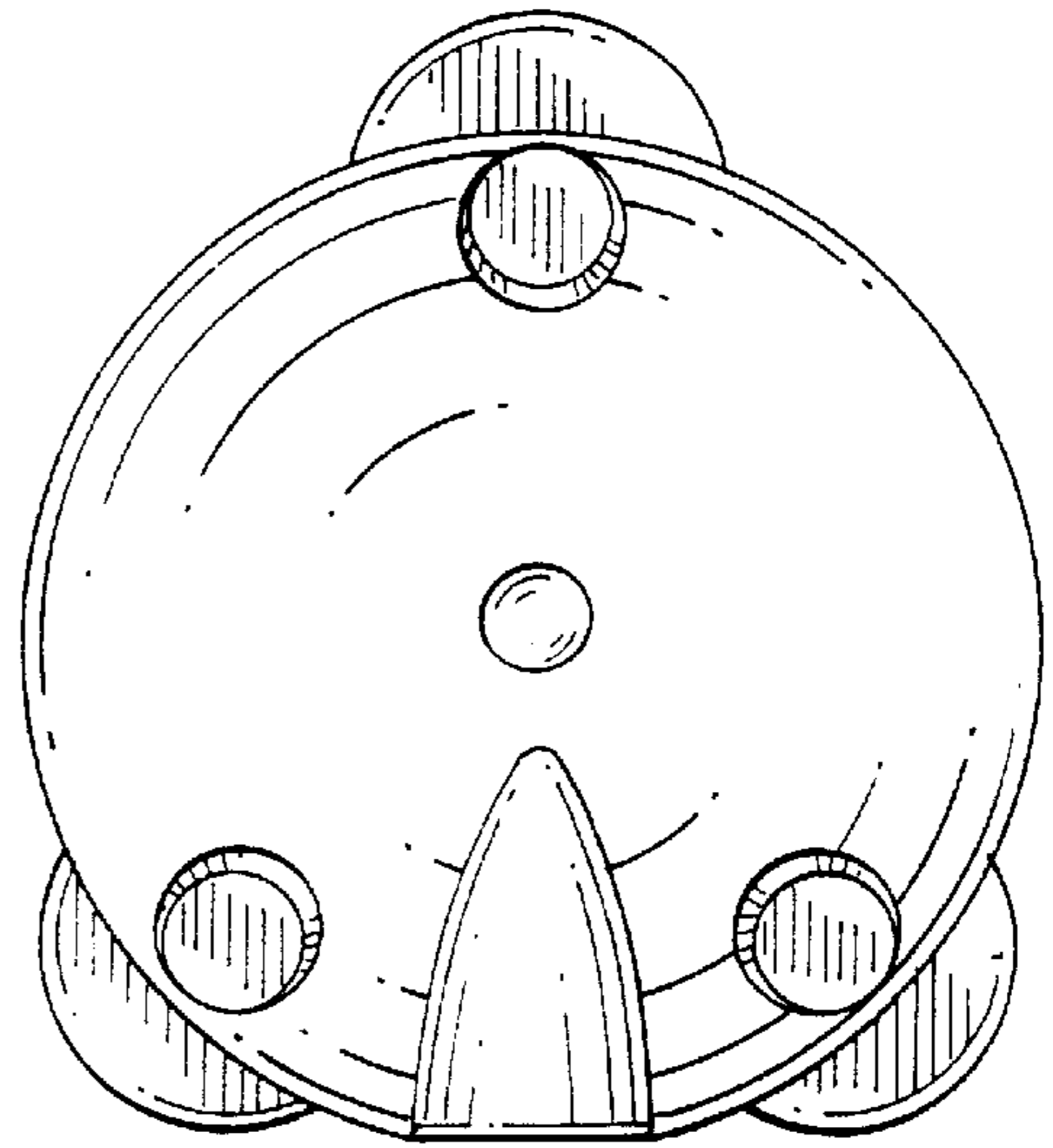


FIG. 2

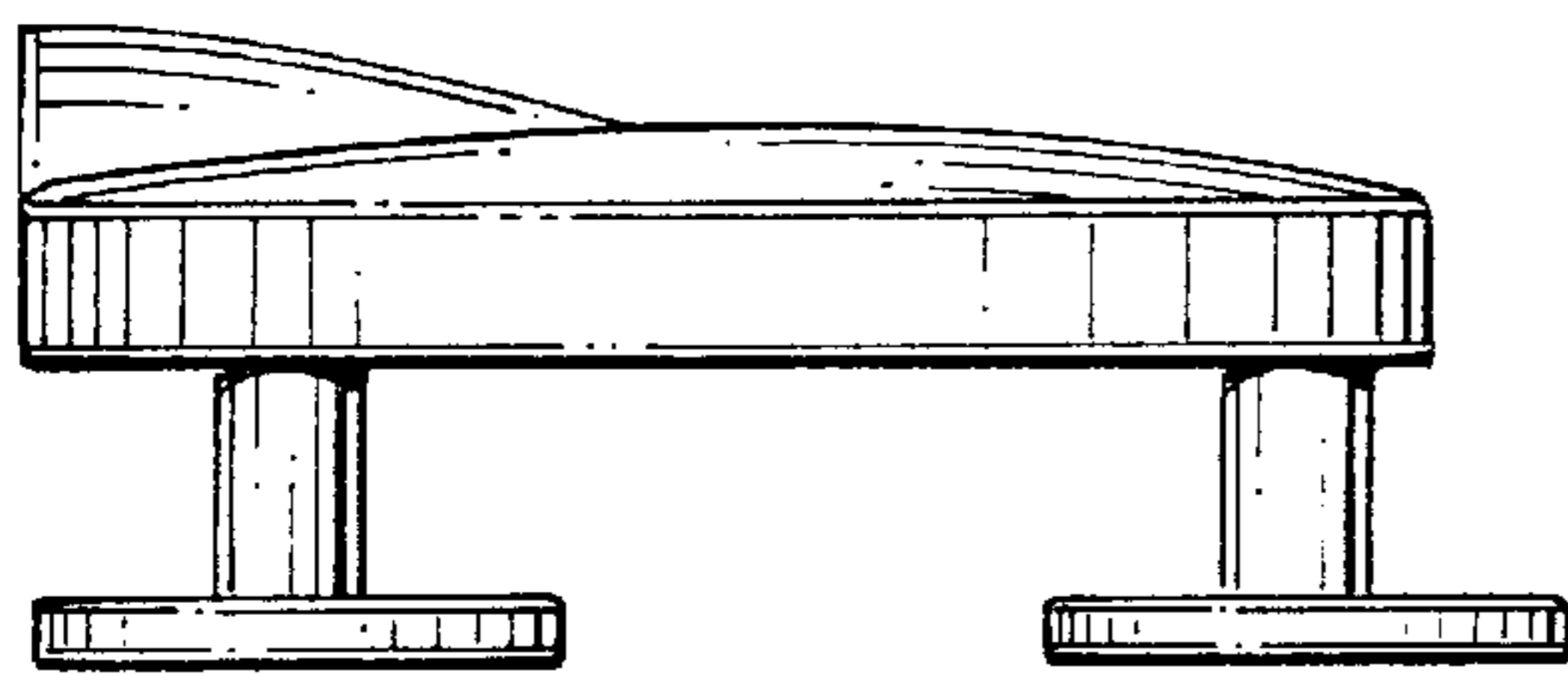


FIG. 4

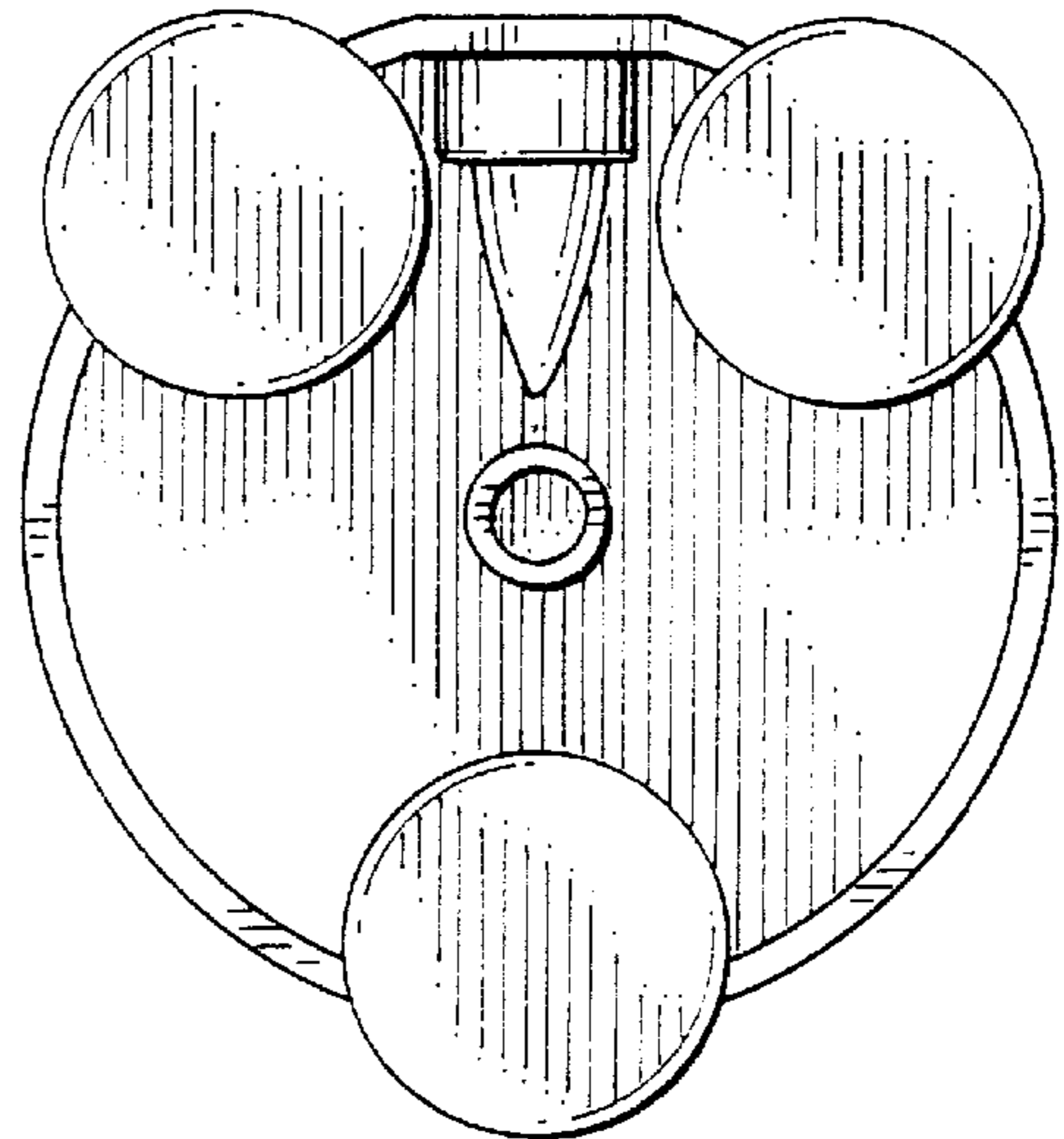


FIG. 3

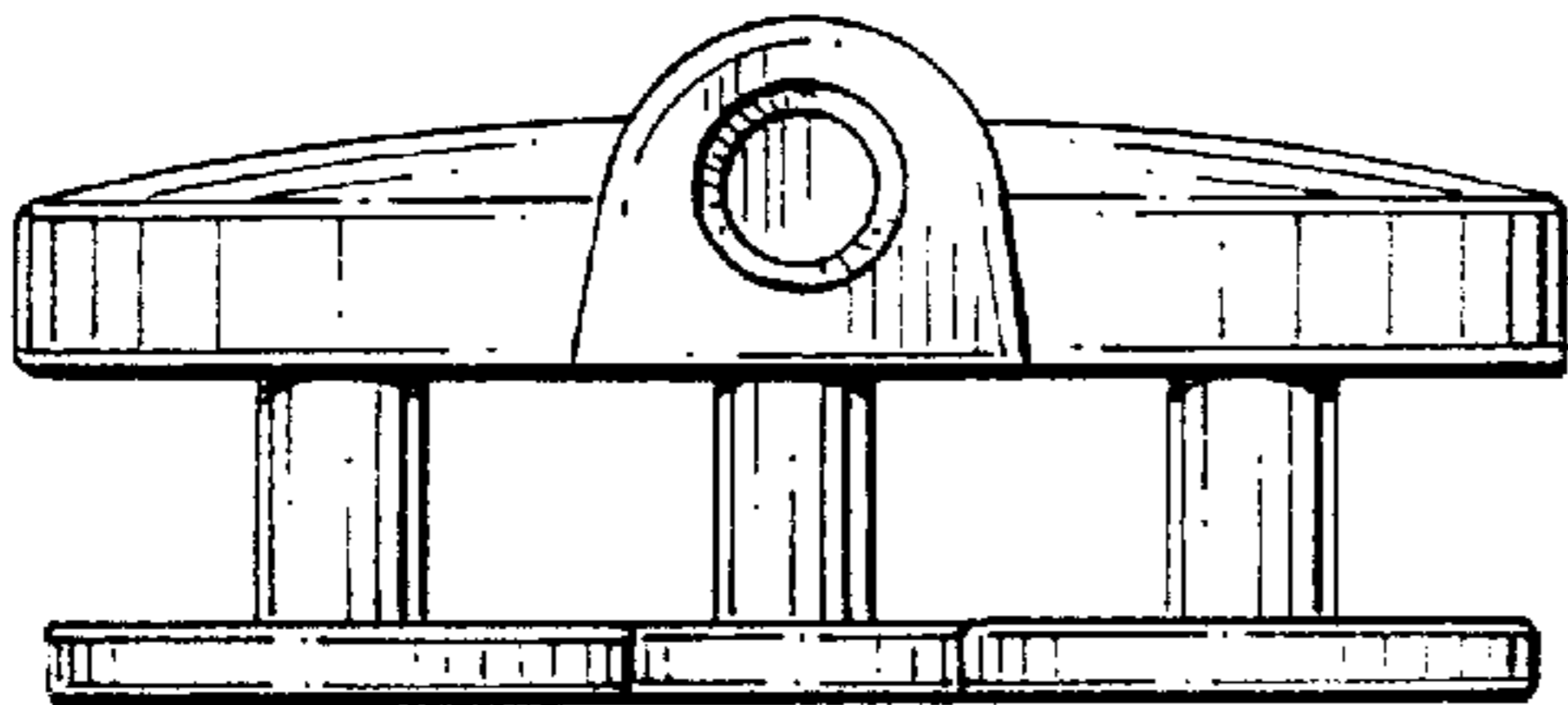


FIG. 5

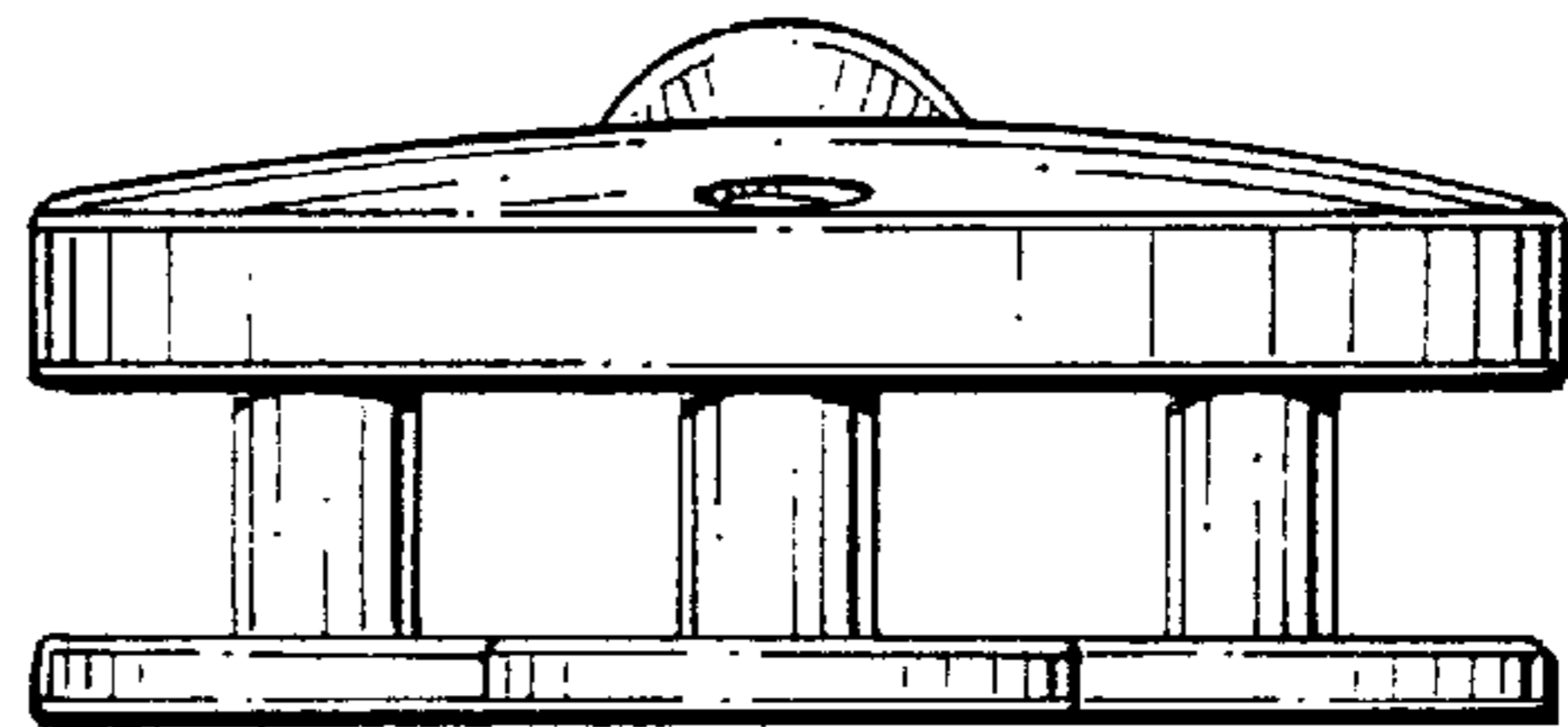
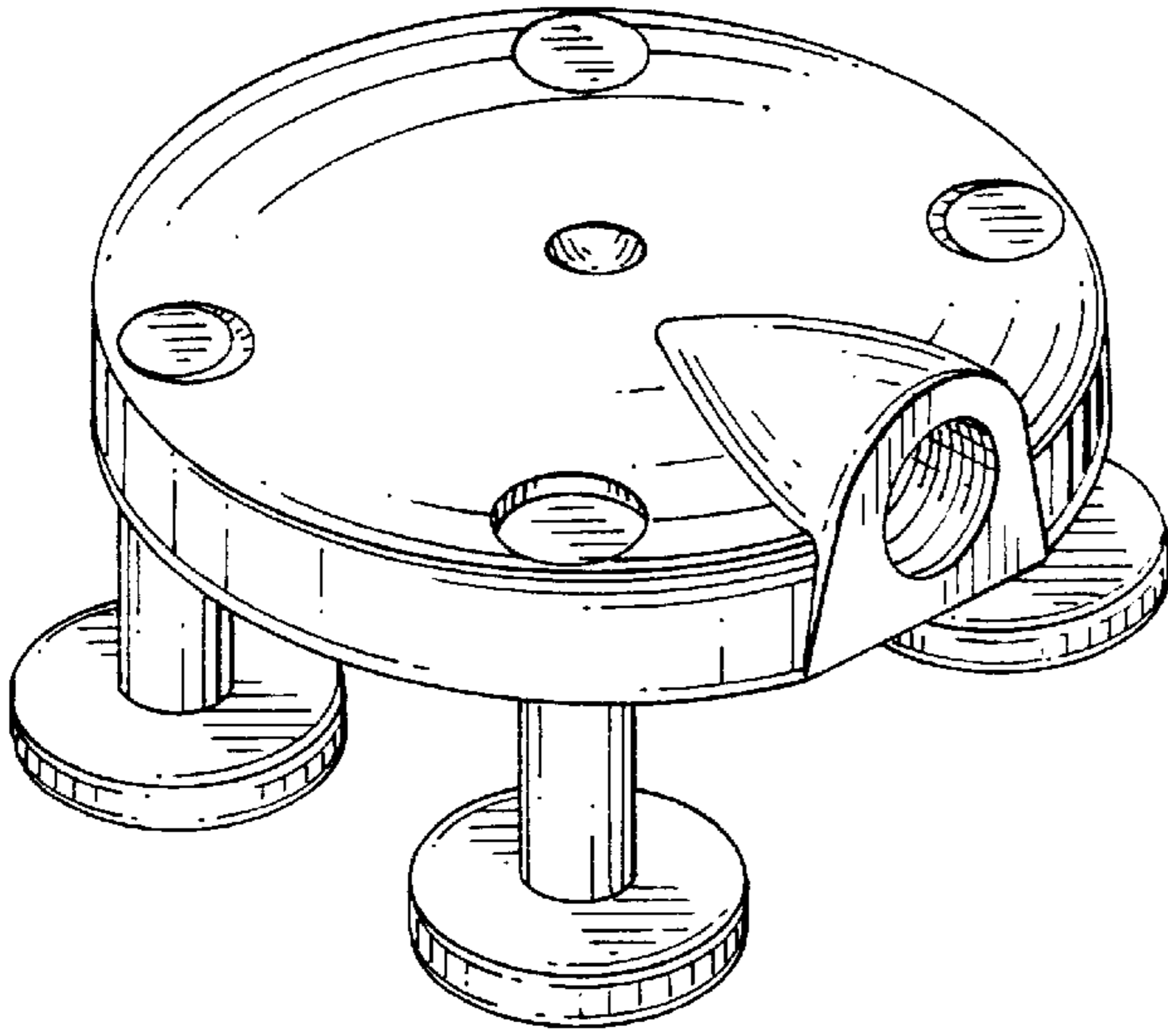
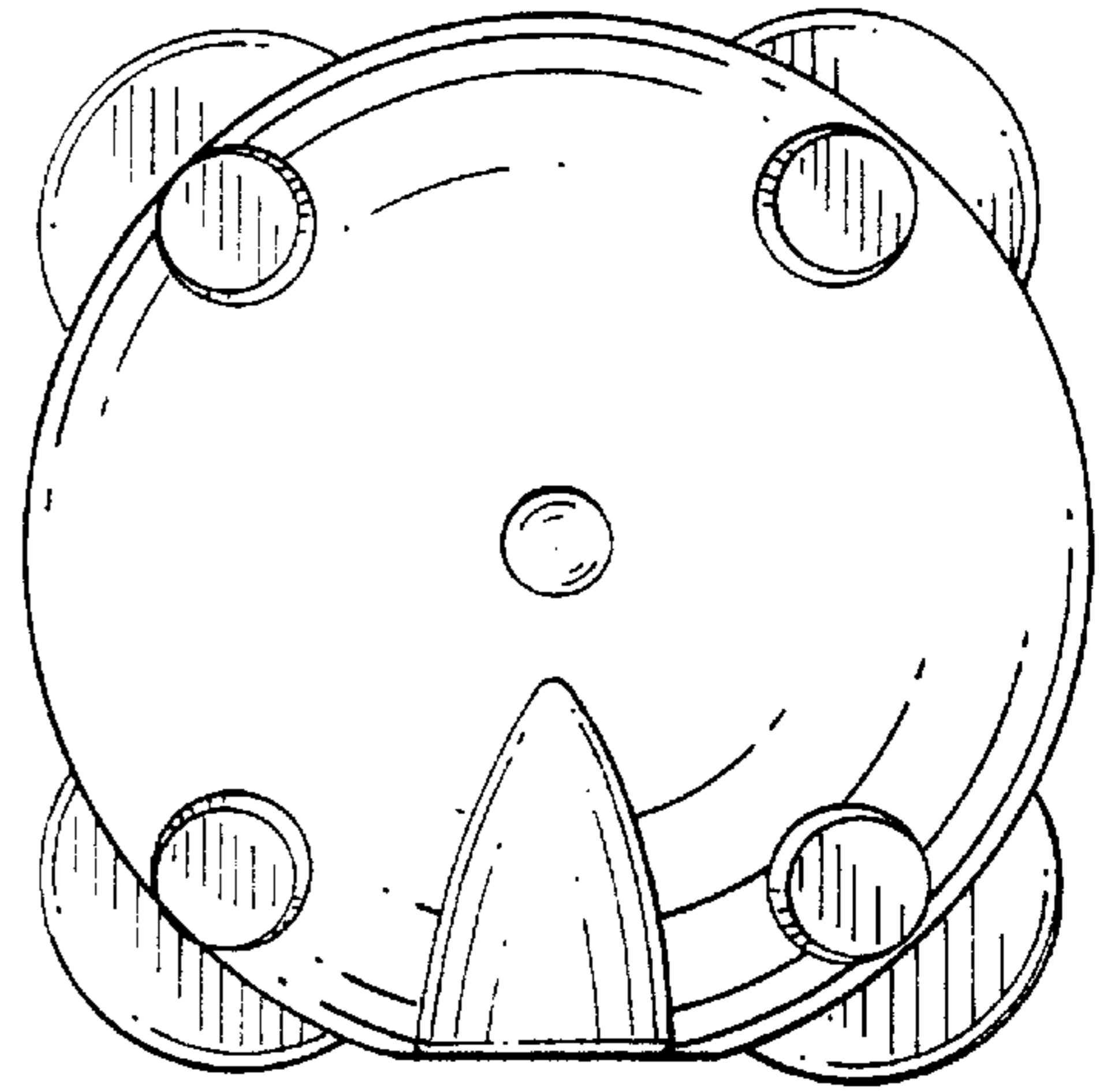


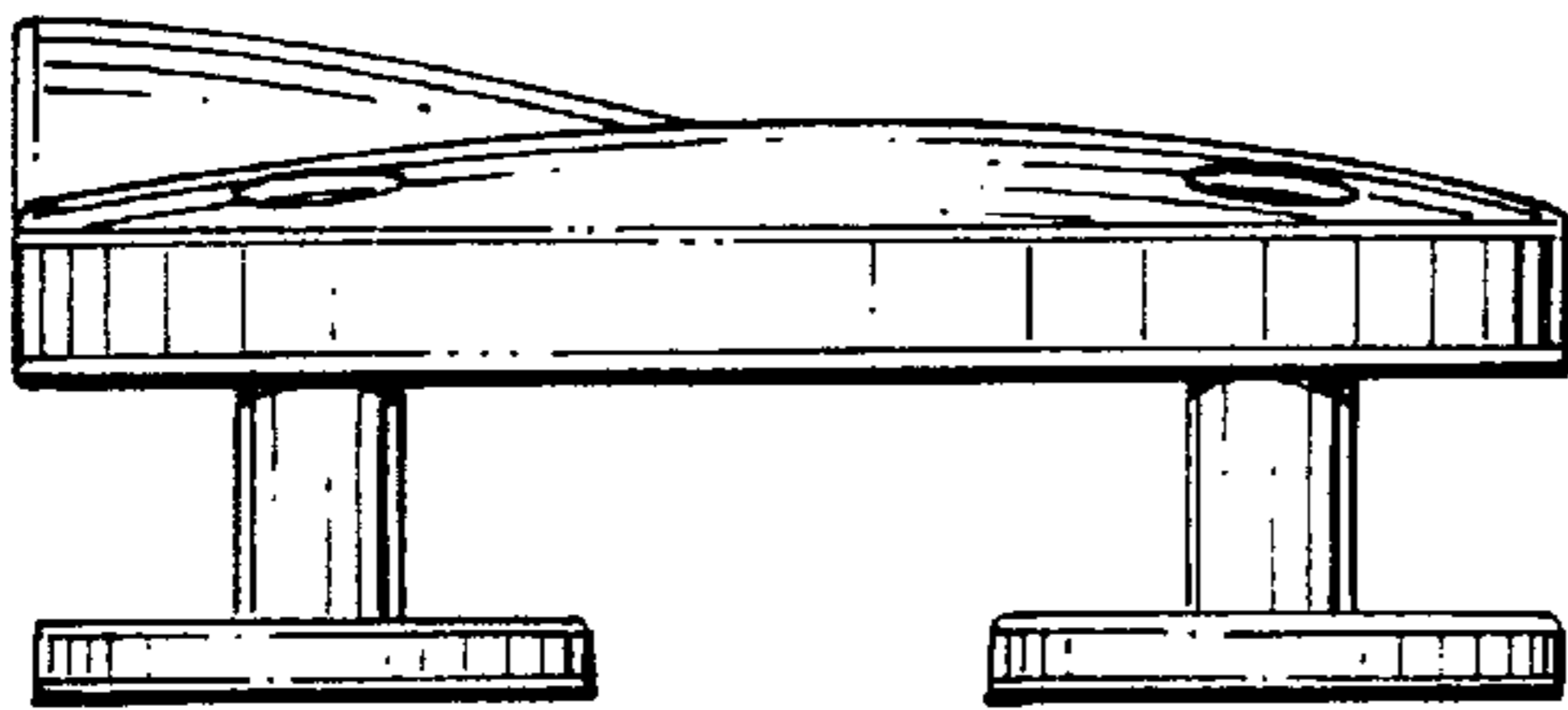
FIG. 6



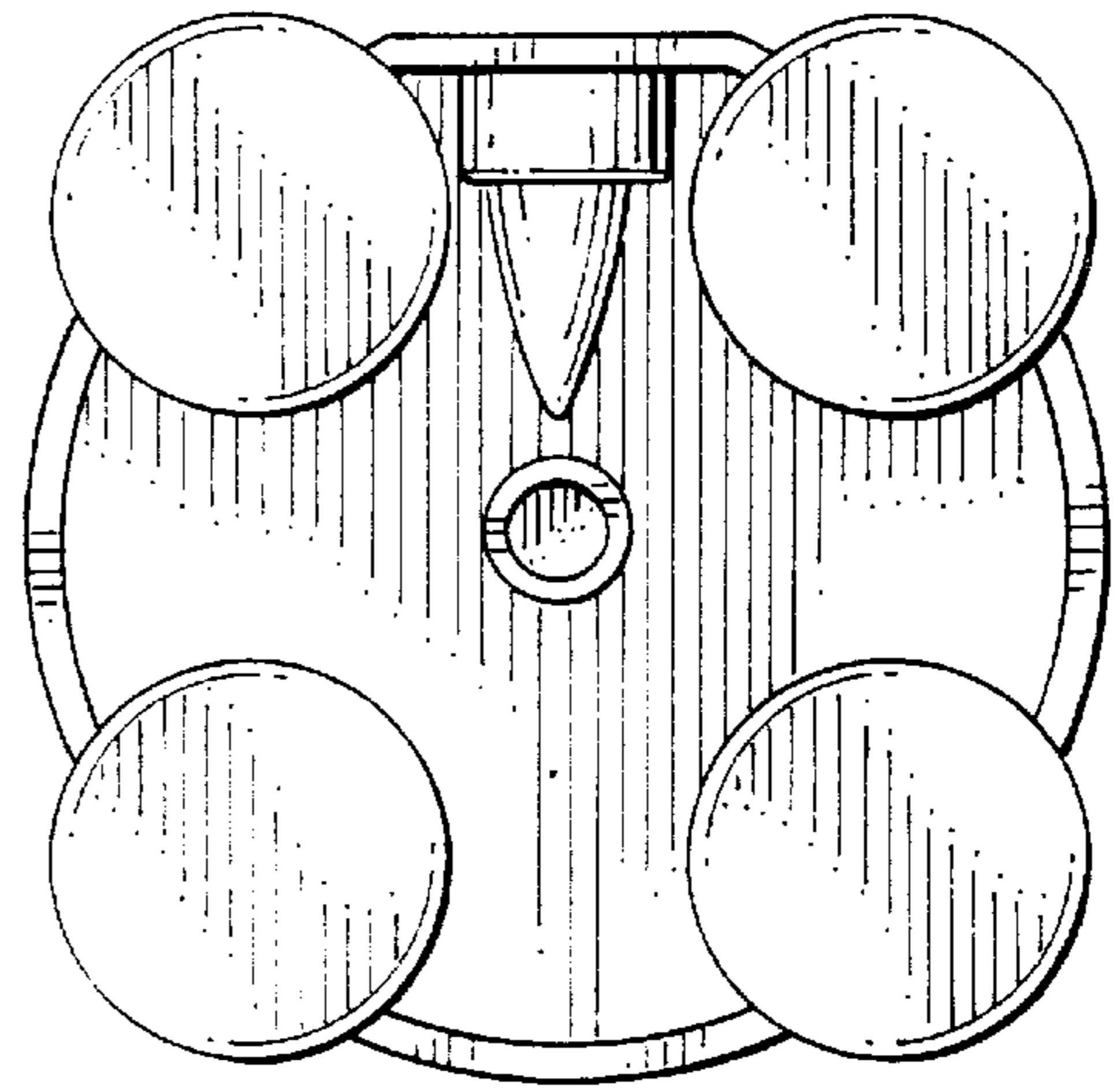
*FIG. 7*



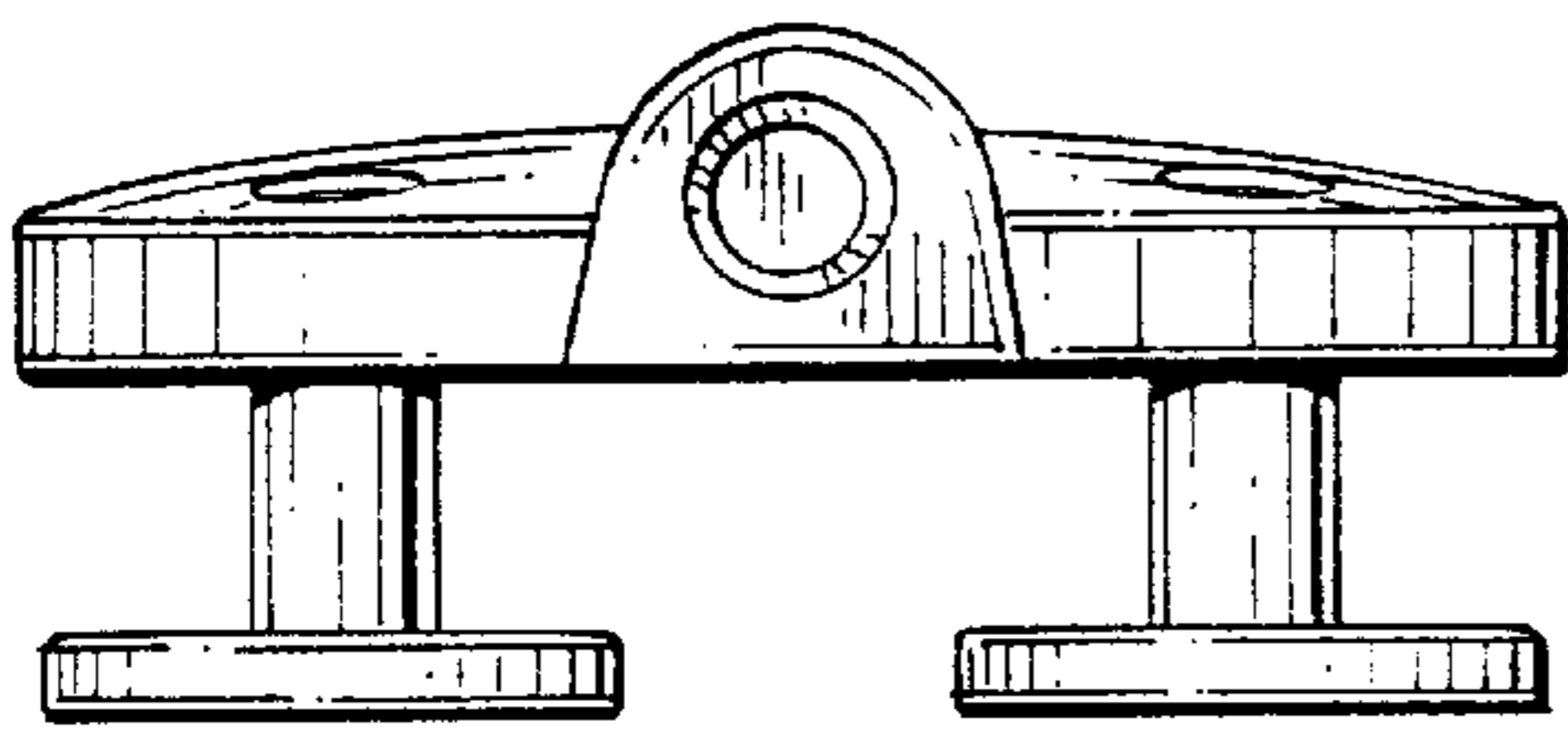
*FIG. 8*



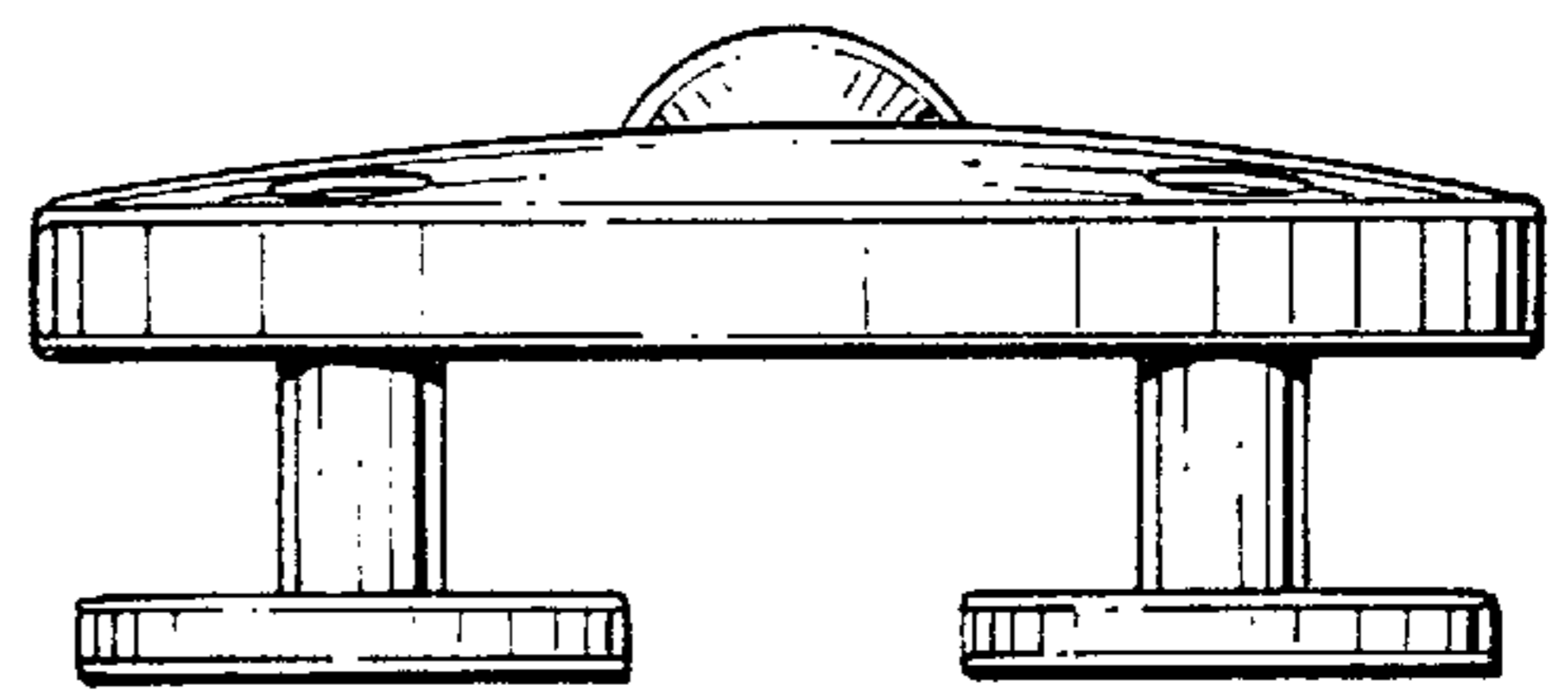
*FIG. 10*



*FIG. 9*



*FIG. 11*



*FIG. 12*