



US00D407626S

**United States Patent** [19]  
**Costello**

[11] **Patent Number: Des. 407,626**

[45] **Date of Patent: \*\*Apr. 6, 1999**

[54] **HOLDER FOR AN ELECTRICAL CONNECTOR**

[75] Inventor: **Brian Patrick Costello**, Scotts Valley, Calif.

[73] Assignee: **The Whitaker Corporation**, Wilmington, Del.

[\*\*] Term: **14 Years**

[21] Appl. No.: **81,007**

[22] Filed: **Oct. 30, 1997**

[51] **LOC (6) Cl.** ..... **08-05**

[52] **U.S. Cl.** ..... **D2/349**

[58] **Field of Search** ..... D8/349, 354, 380, D8/382; 439/751, 490; D13/154, 155

[56] **References Cited**

**U.S. PATENT DOCUMENTS**

D. 326,085	5/1992	Takenouchi et al.	.....	D13/154
4,407,042	10/1983	Schramme et al.	.....	248/56 X
5,591,050	1/1997	Sveoka	.....	439/607

**OTHER PUBLICATIONS**

*AMP Catalog 82066*, "Modular Interconnection System", Aug. 1992; 20 pages; AMP Incorporated, Harrisburg, PA.

*Primary Examiner*—Holly Baynham

*Attorney, Agent, or Firm*—Anton P. Ness

[57] **CLAIM**

The ornamental design for a holder for an electrical connector, as shown and described.

**DESCRIPTION**

FIG. 1 is an isometric view of the top of the holder from one end thereof;

FIG. 2 is an isometric view of the bottom of the holder of FIG. 1 from an opposed end thereof;

FIG. 3 is an elevation view of one side of the holder of FIGS. 1 and 2;

FIG. 4 is an elevation view of one end of the holder of FIGS. 1 to 3;

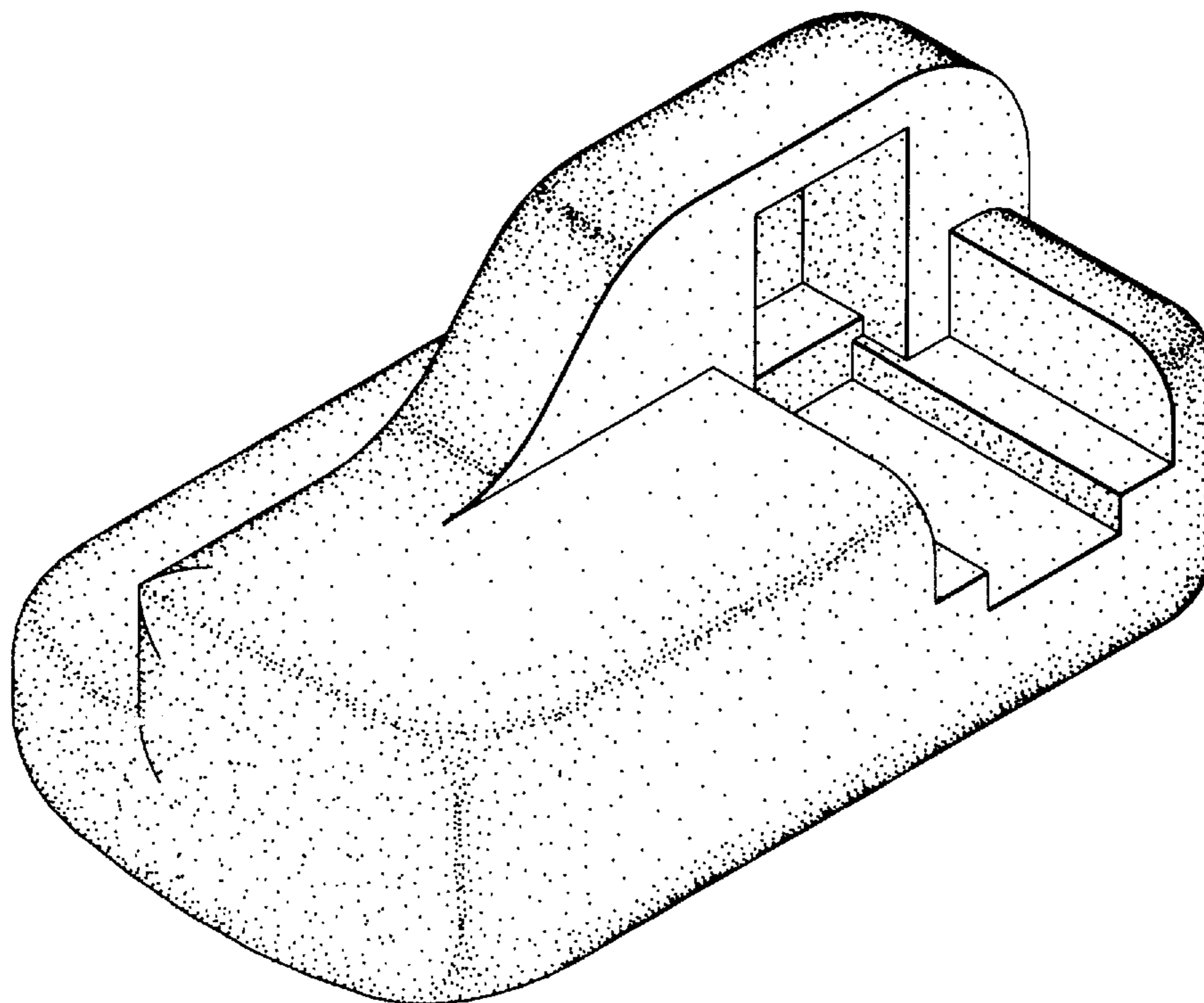
FIG. 5 is a bottom view of the holder of FIGS. 1 to 4;

FIG. 6 is a top plan view of the holder of FIGS. 1 to 5;

FIG. 7 is an elevation view of an opposed side of the holder from that of FIG. 3; and,

FIG. 8 is an elevation view of an opposed end of the holder from that of FIG. 4.

**1 Claim, 3 Drawing Sheets**



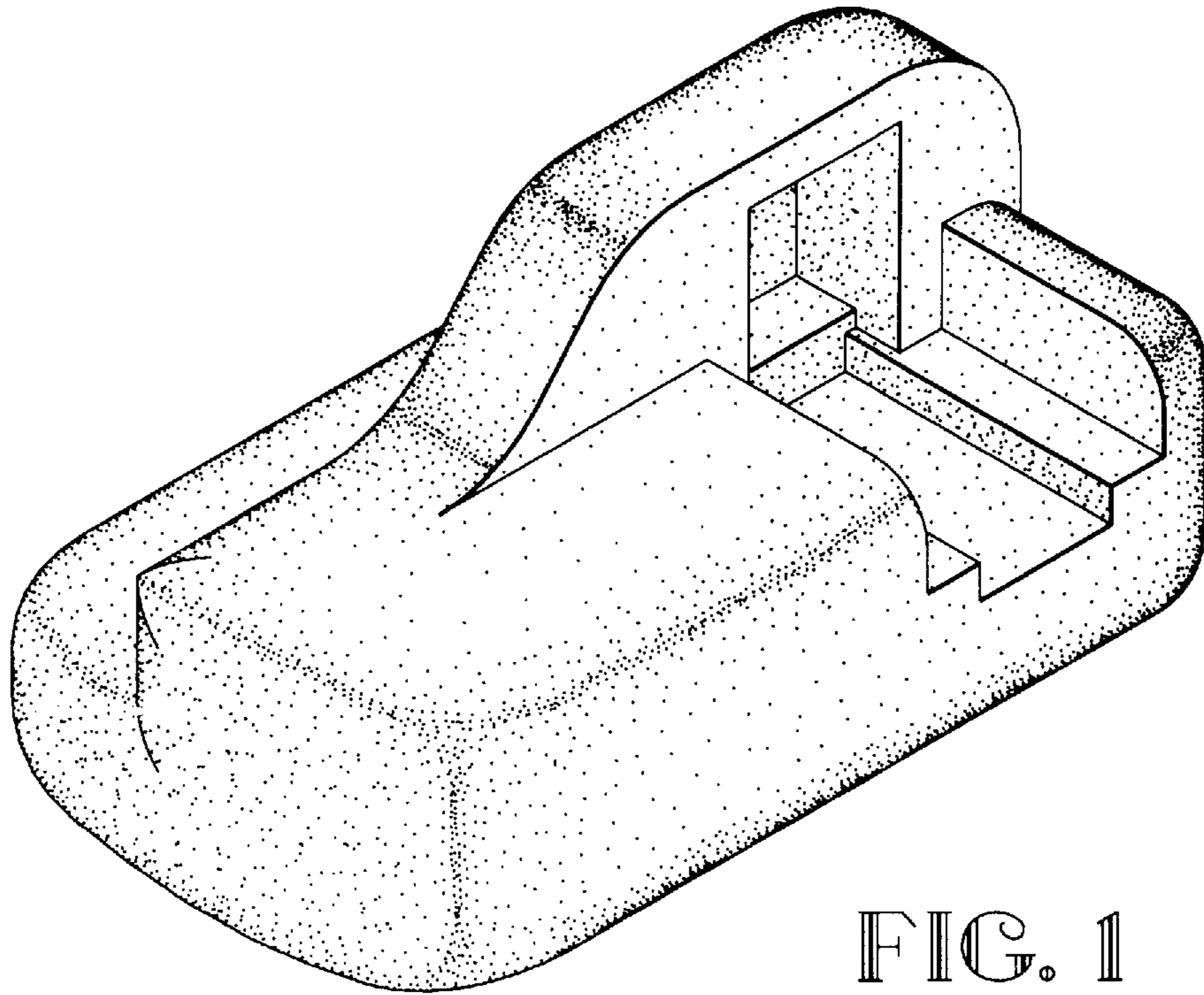


FIG. 1

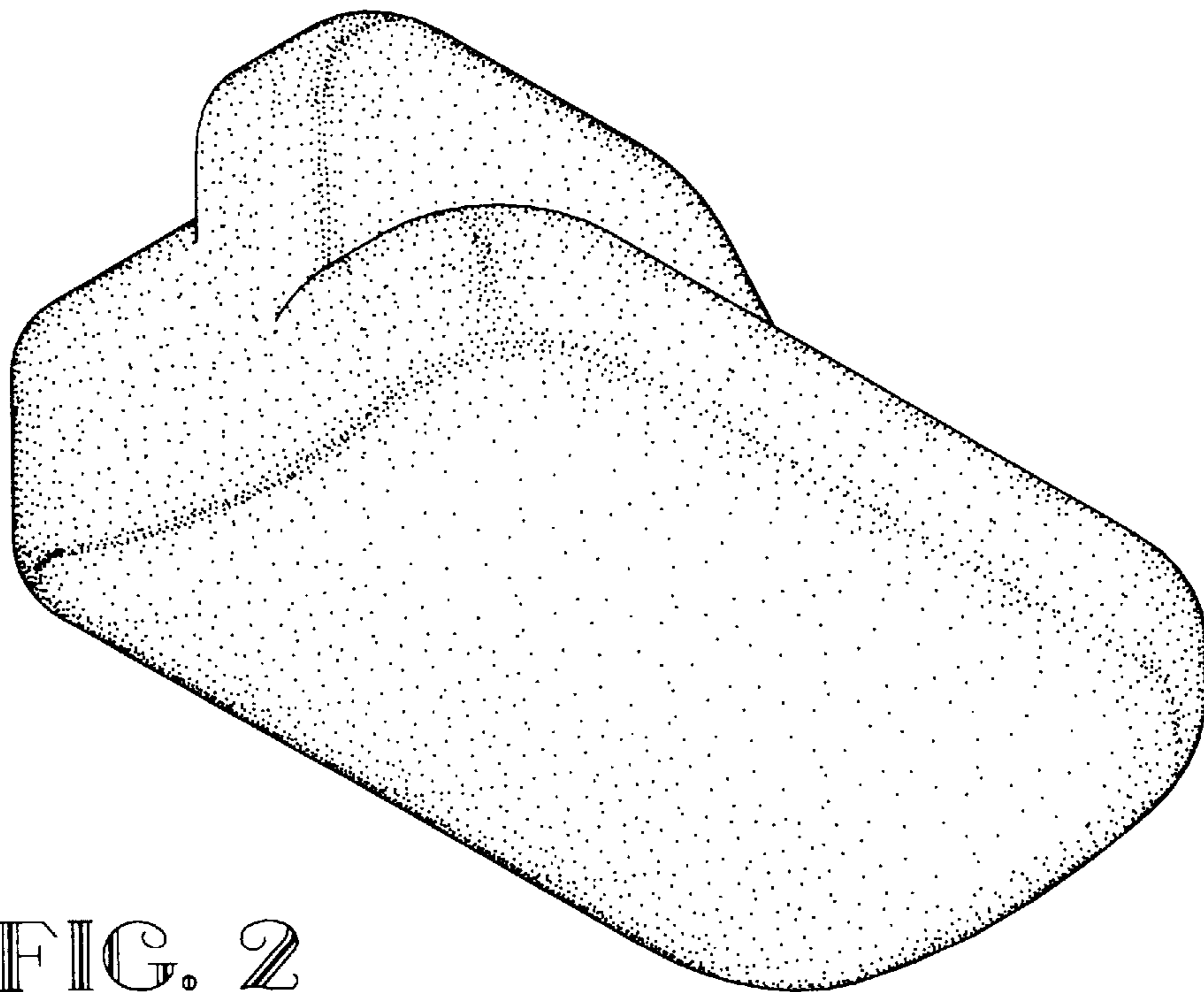


FIG. 2

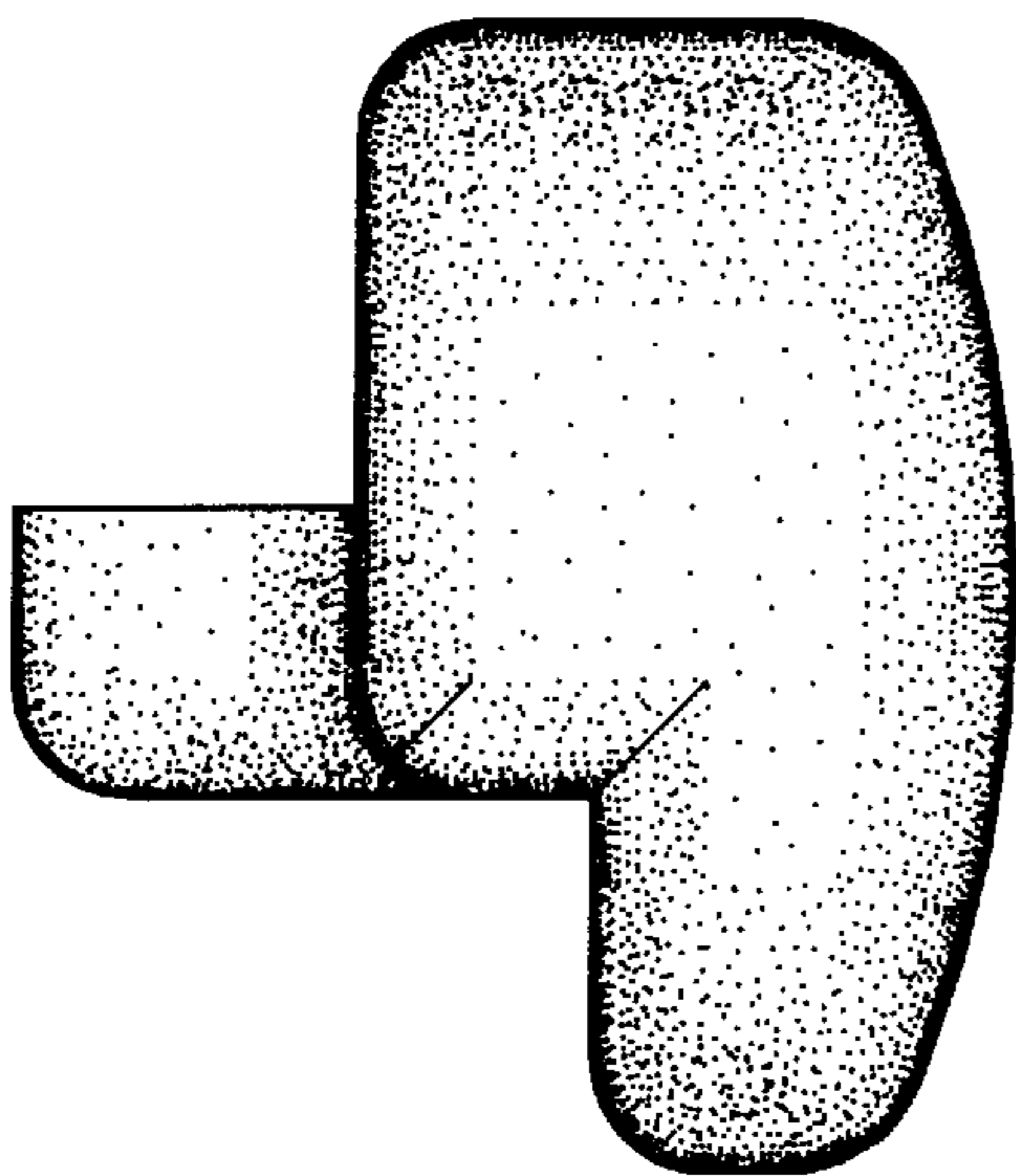


FIG. 4

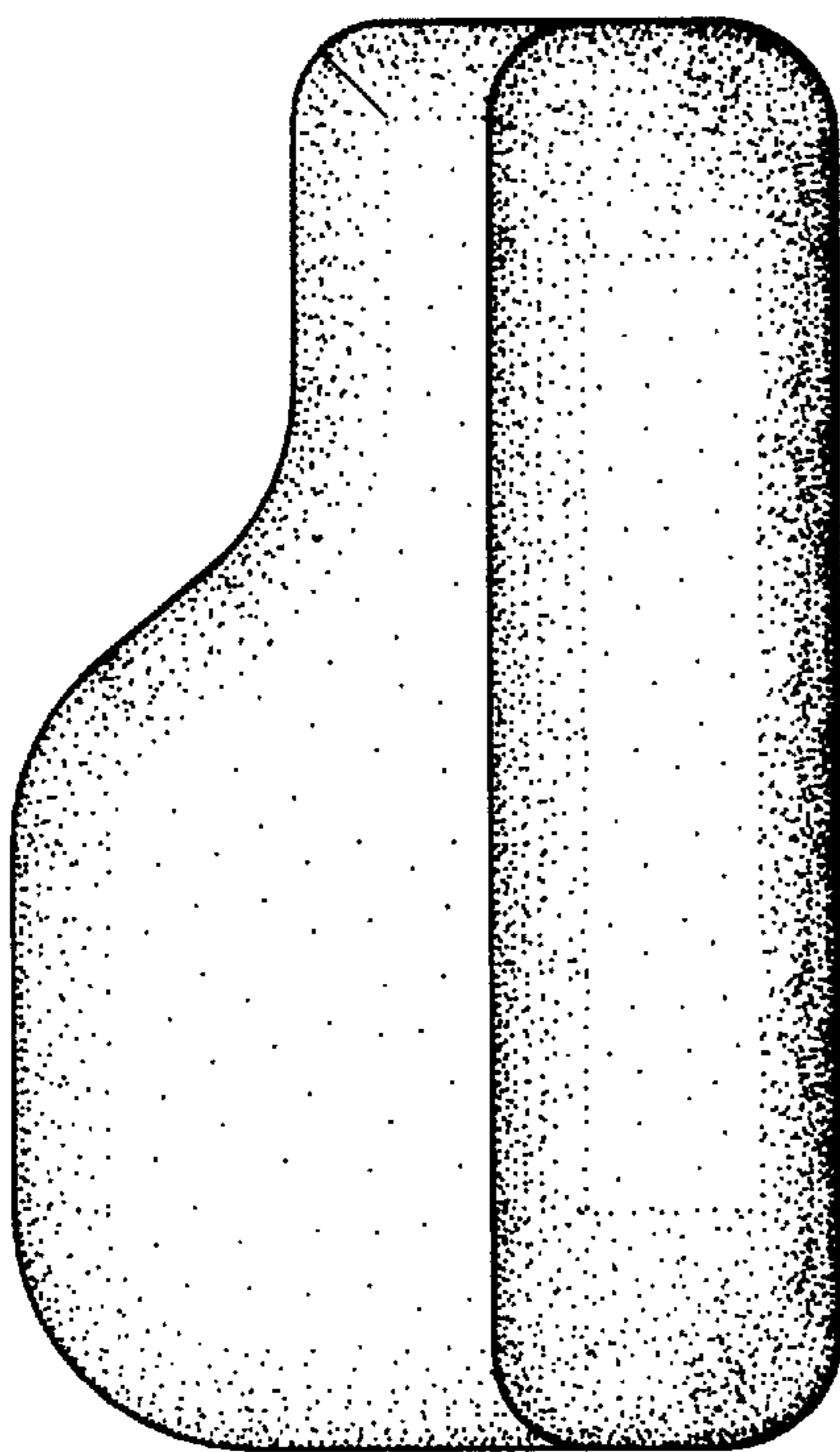


FIG. 3

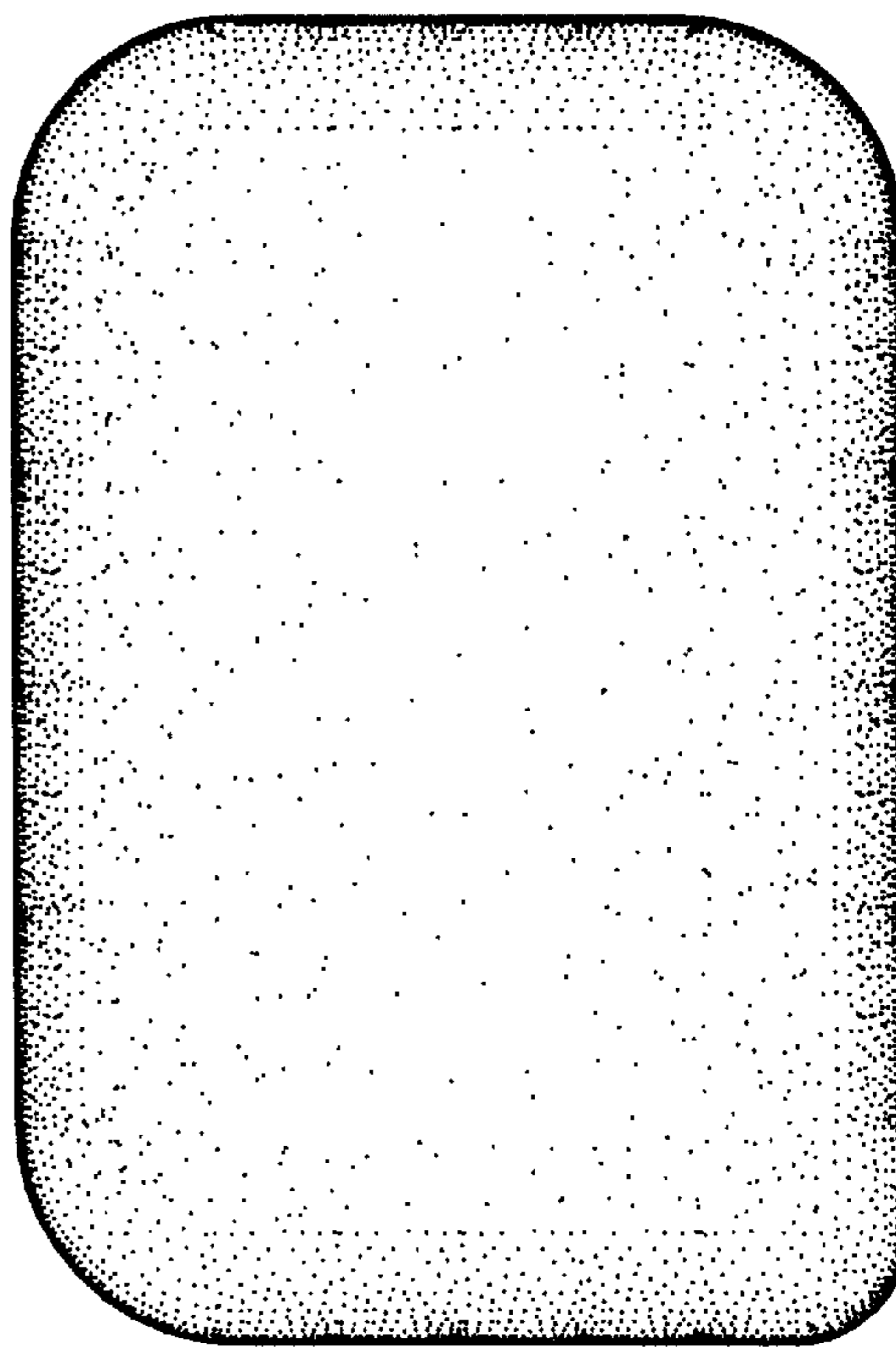


FIG. 5

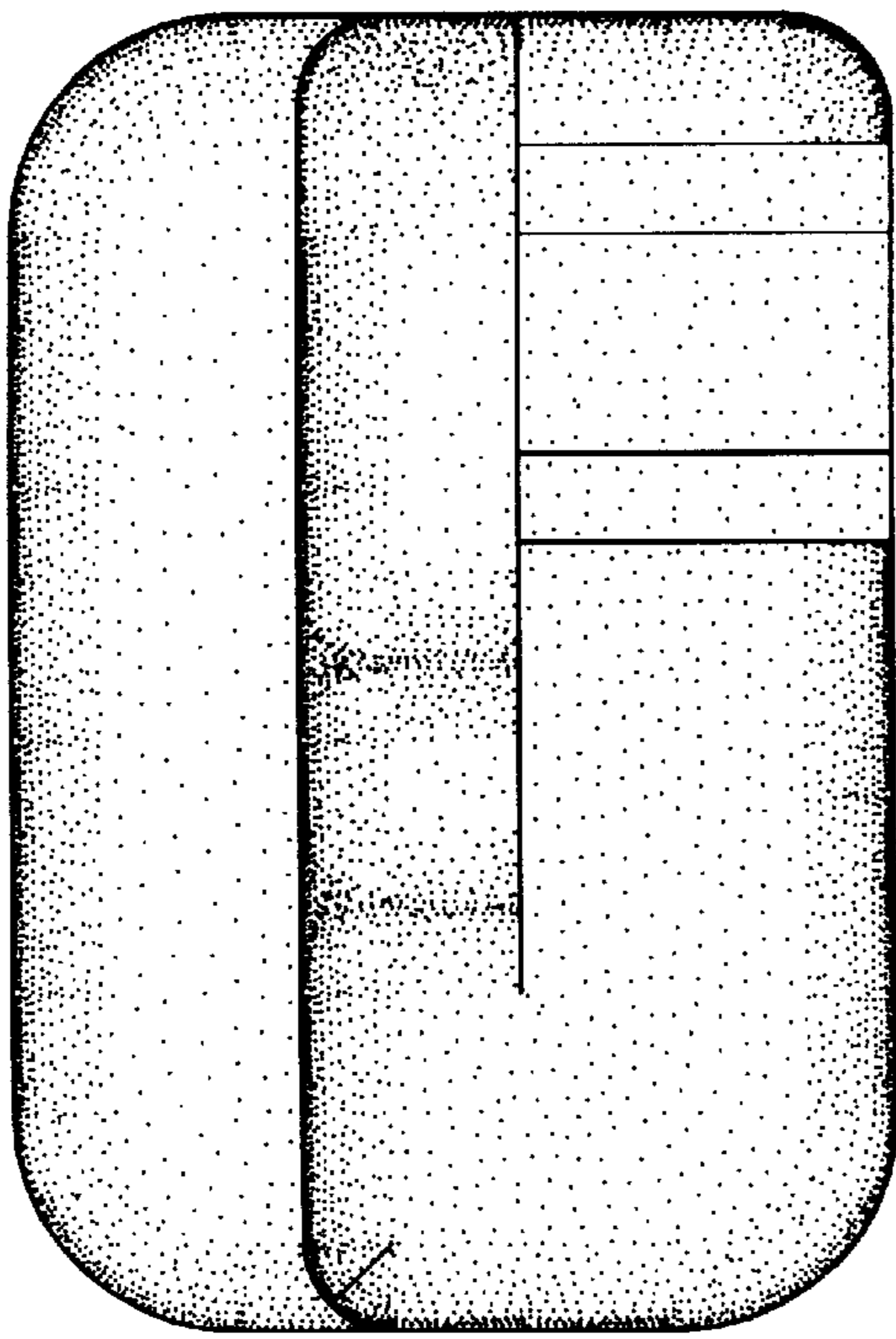


FIG. 6

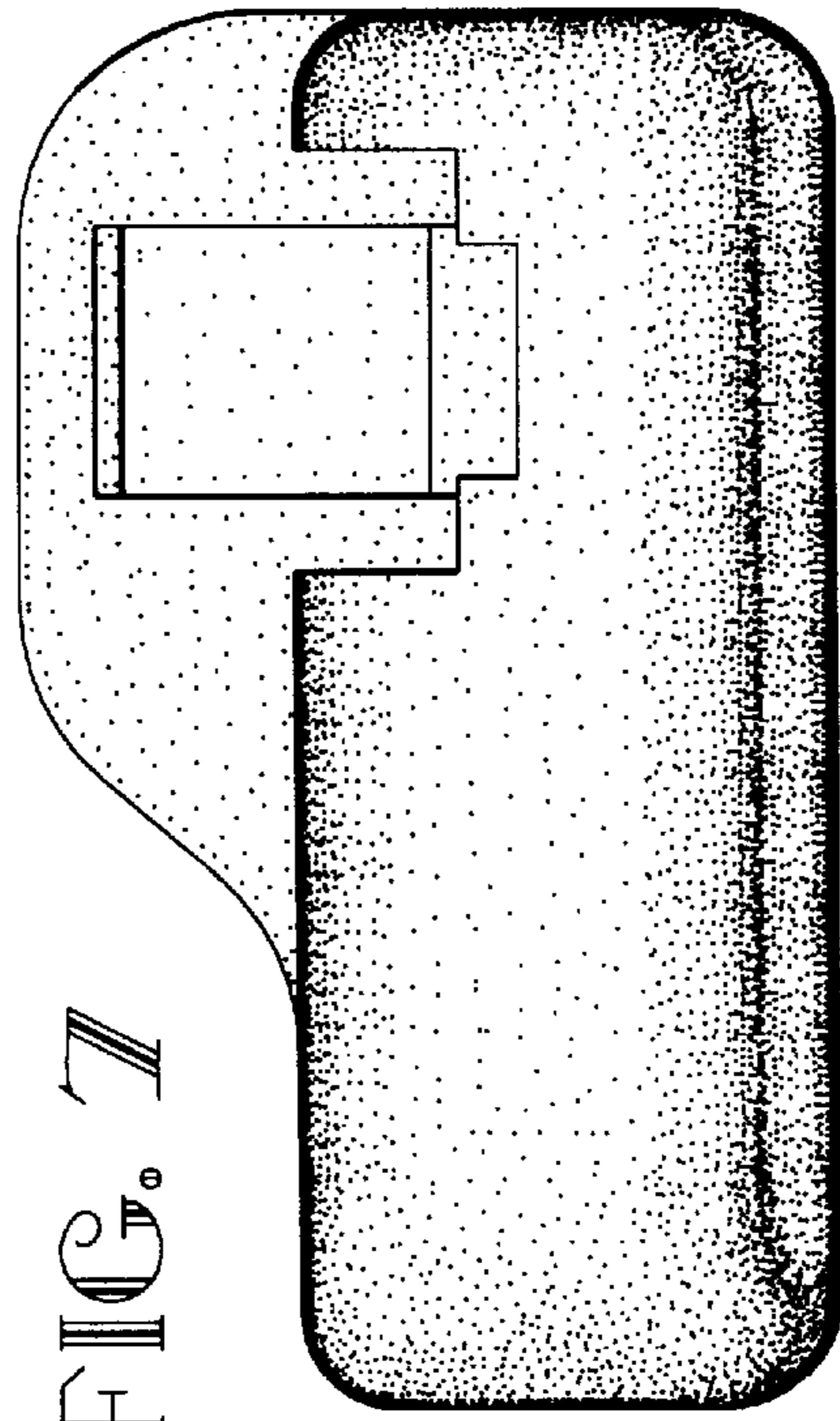


FIG. 7

FIG. 8

