



US00D407621S

United States Patent [19]

Koon et al.

[11] Patent Number: Des. 407,621

[45] Date of Patent: **Apr. 6, 1999

[54] **MULTIFUNCTION TOOL**

[75] Inventors: **Jack Koon; Stephen Hull**, both of San Diego; **Thomas A. Gaboury**, El Cajon, all of Calif.

[73] Assignee: **Buck Knives, Inc.**, El Cajon, Calif.

[**] Term: **14 Years**

[21] Appl. No.: **82,645**

[22] Filed: **Jan. 27, 1998**

[51] **LOC (6) Cl.** **08-05**

[52] **U.S. Cl.** **D8/105; D8/55; D8/52**

[58] **Field of Search** D8/51, 52, 55, D8/105, 106; 7/125, 126, 127, 128, 129, 131, 132, 118, 165, 168; 30/153, 162; 81/177.2, 177.6, 427.5, 177.1

[56] **References Cited**

U.S. PATENT DOCUMENTS

D. 368,634	4/1996	Frazer	D8/105
D. 382,182	8/1997	Seber et al.	D8/55
D. 384,872	10/1997	Yeh	D8/105
D. 392,519	3/1998	Hung	D8/105 X
4,744,272	5/1988	Leatherman	81/177.6
5,062,173	11/1991	Collins et al.	7/118
5,267,366	12/1993	Frazier	7/128

OTHER PUBLICATIONS

Hoffritz Holiday Catalog, p. 24, see multiuse tool—page center #24C, 1988.
Yorkcraft Master Tool advertisement see multi-use tool top of page, May 1993.

Primary Examiner—Martie K. Holtje
Attorney, Agent, or Firm—Gregory Garmong

[57] **CLAIM**

The ornamental design for a multifunction tool, as shown and described.

DESCRIPTION

FIG. 1 is a top plan view of a multifunction tool in a closed condition showing our new design;

FIG. 2 is a bottom plan view;

FIG. 3 is a left side elevational view, the right side being a mirror image thereof;

FIG. 4 is a front elevational view;

FIG. 5 is a rear elevational view;

FIG. 6 is a top plan view in an opened condition;

FIG. 7 is a left side elevational view of FIG. 6, the right side being a mirror image thereof;

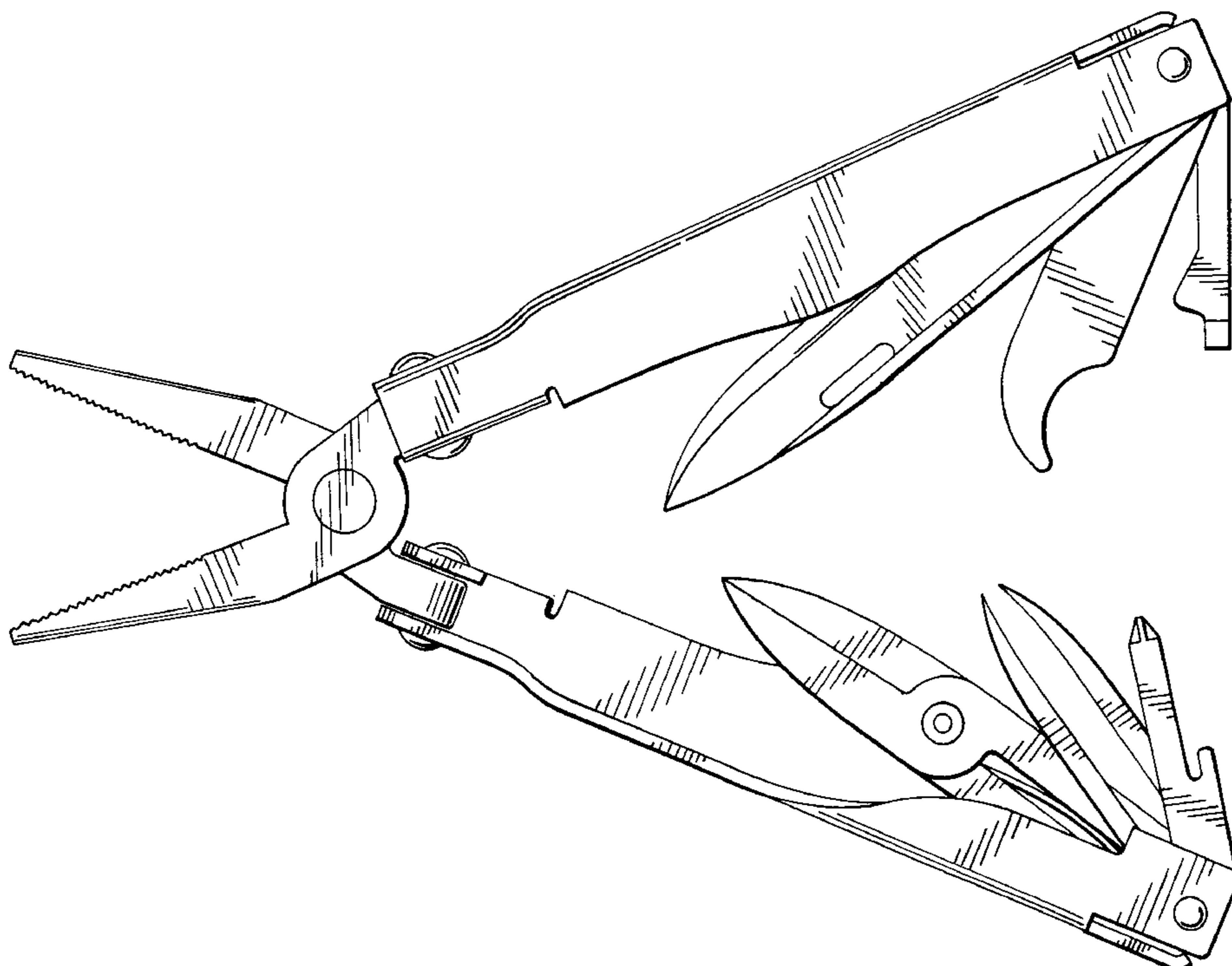
FIG. 8 is a bottom plan view of FIG. 6;

FIG. 9 is a rear elevational view of FIG. 6;

FIG. 10 is a fragmentary top plan view of an alternate embodiment of the pliers jaws seen in FIG. 6; and,

FIG. 11 is a left side elevational view of FIG. 10.

1 Claim, 4 Drawing Sheets



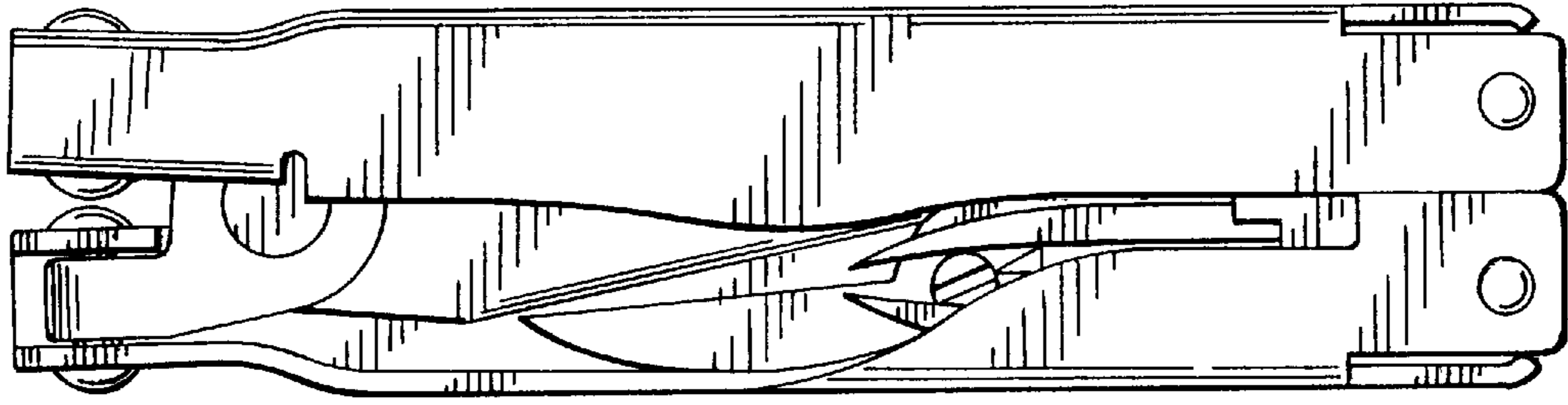


FIG. 1

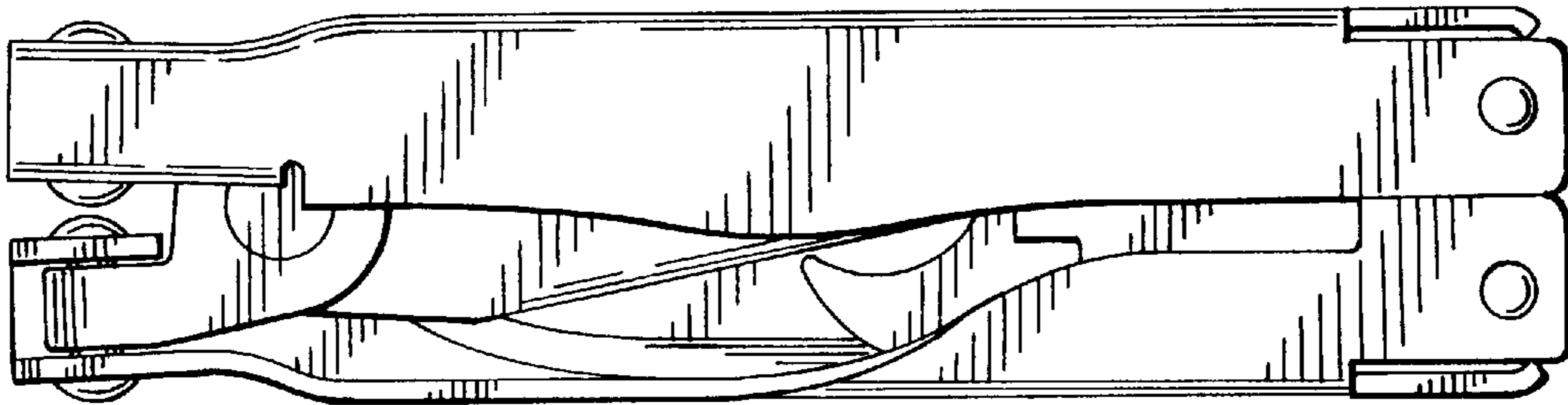


FIG. 2

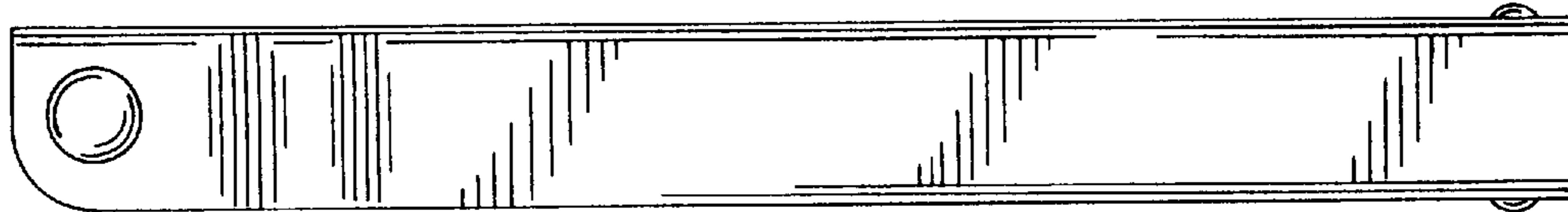


FIG. 3

FIG. 4

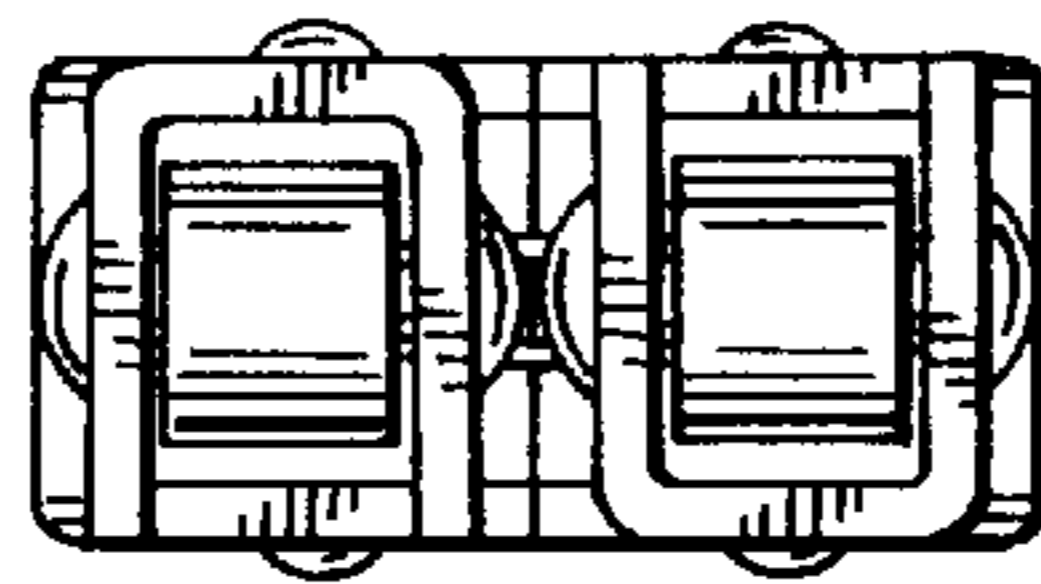
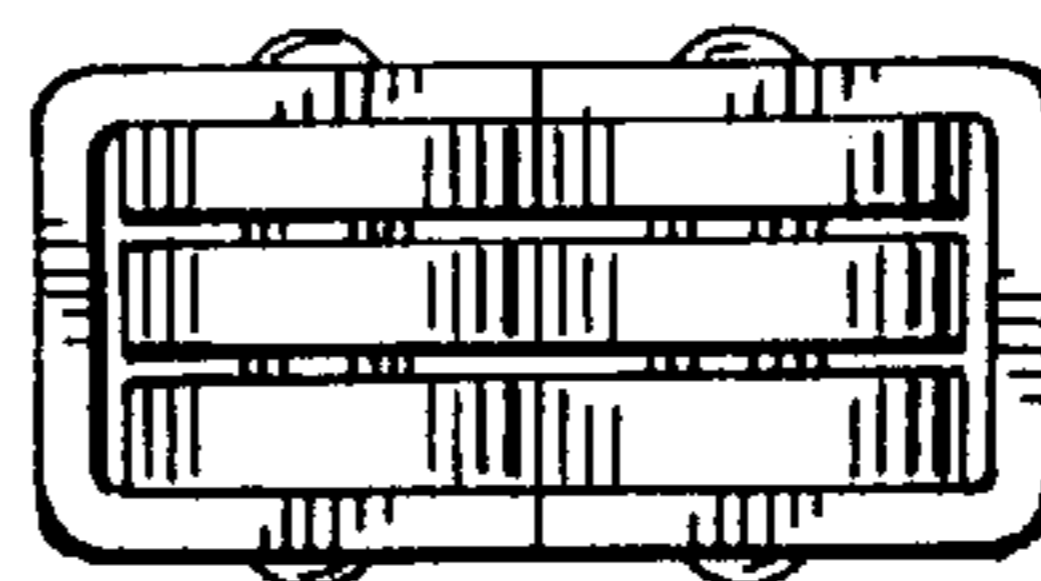


FIG. 5



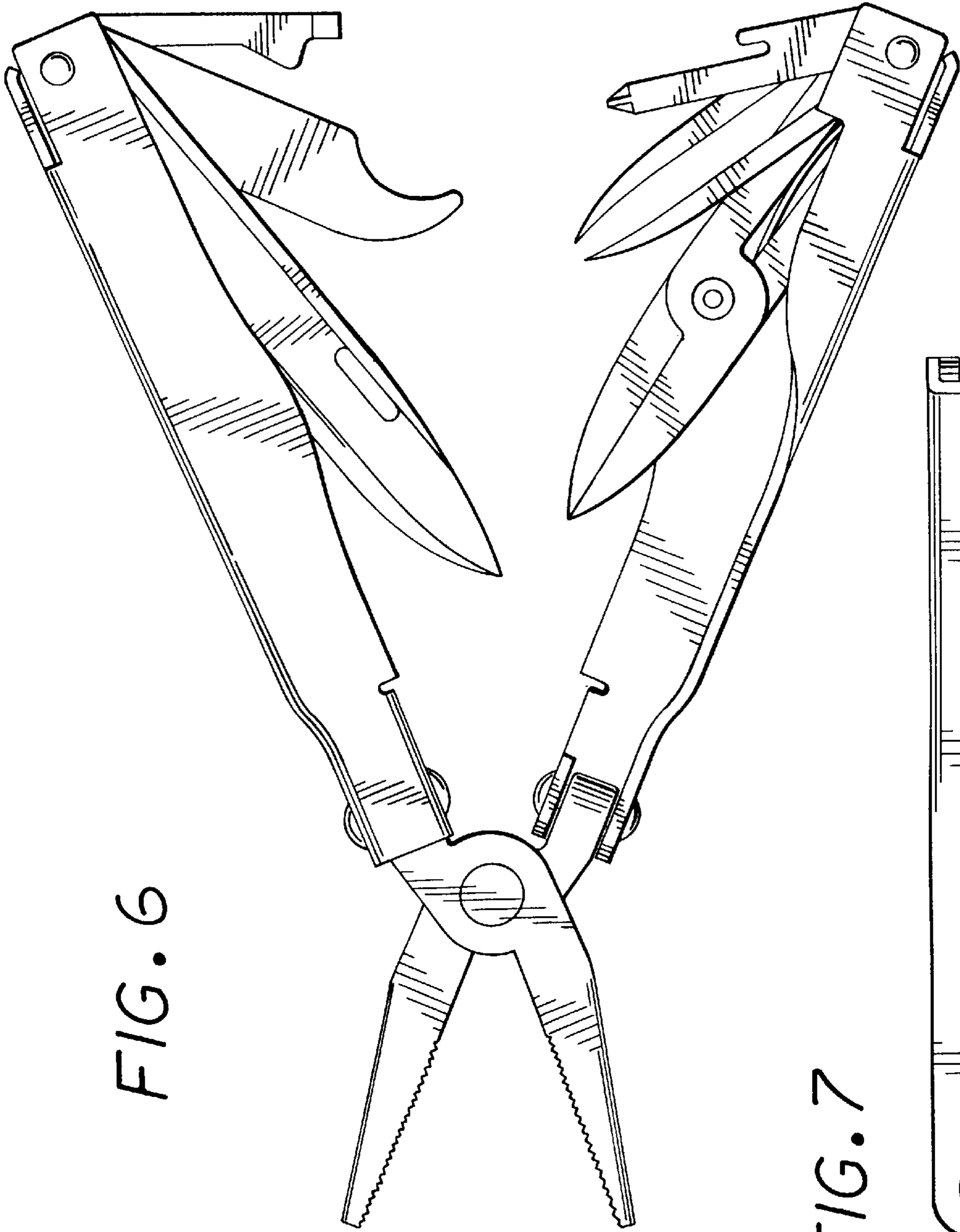


FIG. 6

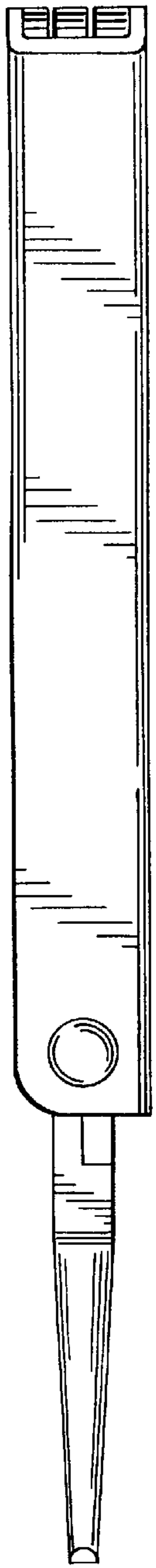


FIG. 7

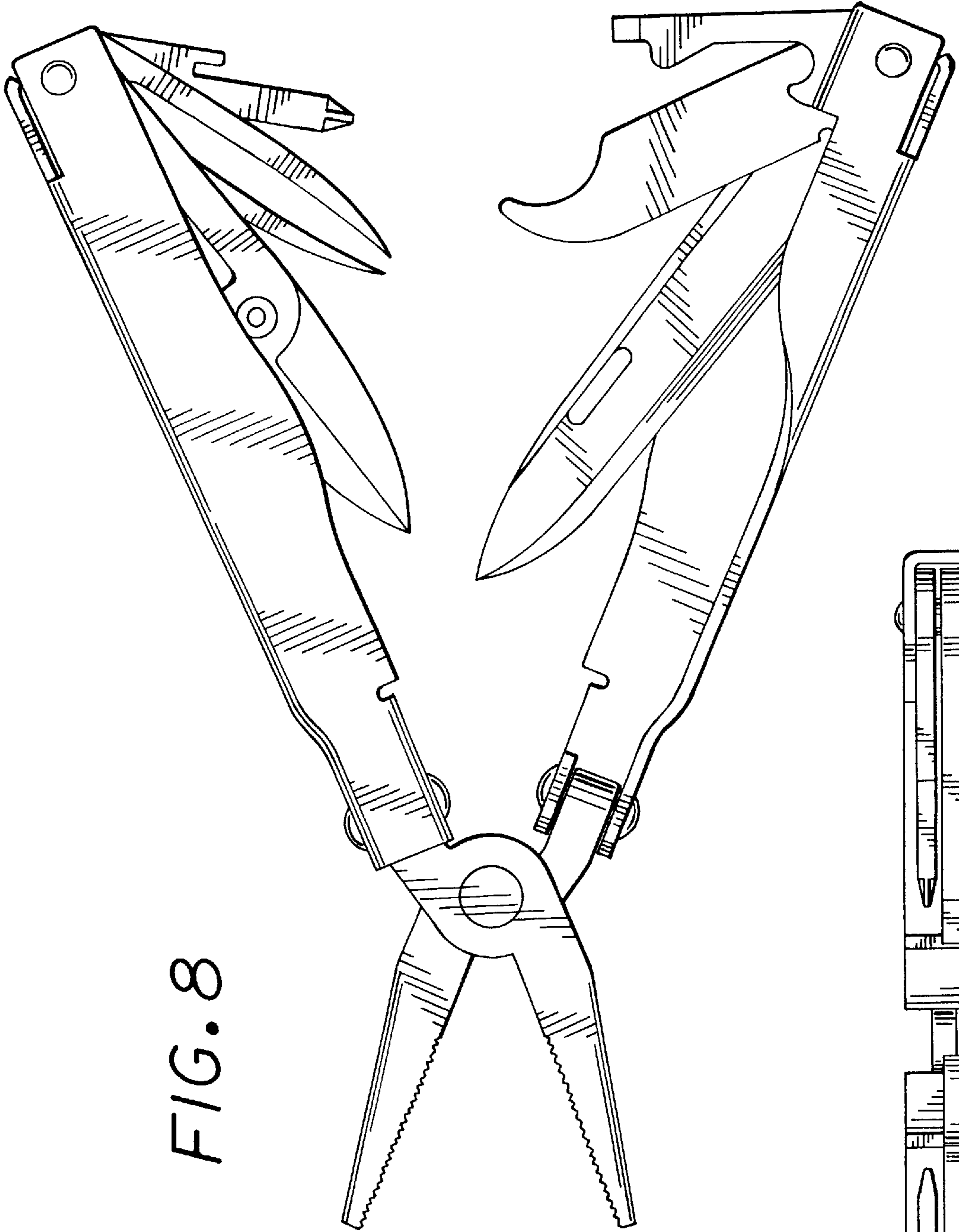


FIG. 8

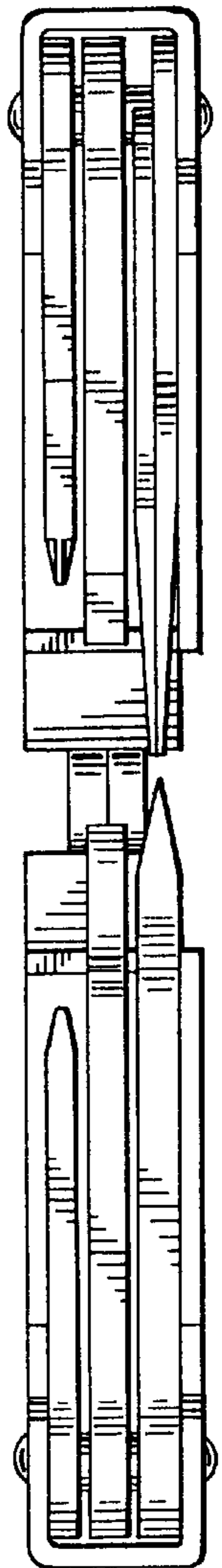


FIG. 9

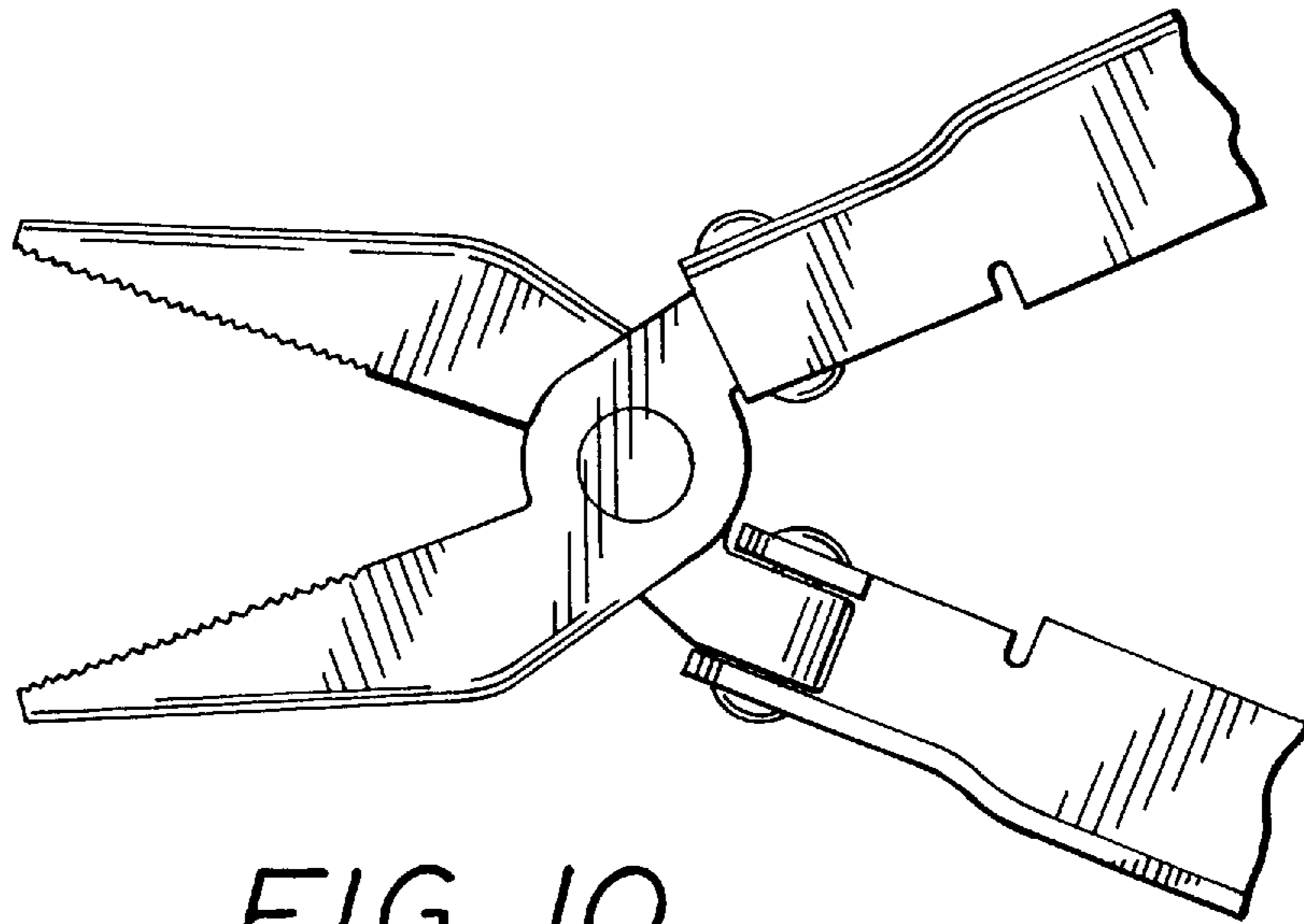


FIG. 10

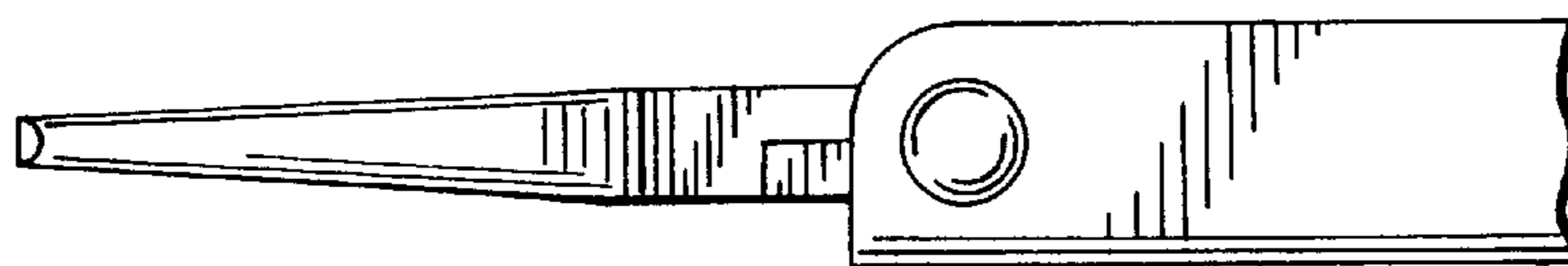


FIG. 11