



US00D407620S

# United States Patent [19] Cachot

[11] **Patent Number: Des. 407,620**

[45] **Date of Patent: \*\*Apr. 6, 1999**

[54] **POCKET KNIFE WITH UNIVERSAL WRENCH**

1,811,982 6/1931 Soustre ..... 7/118  
4,819,289 4/1989 Gibbs ..... 7/118

[75] Inventor: **Maurice Cachot**, Delémont, Switzerland

*Primary Examiner*—Philip S. Hyder  
*Attorney, Agent, or Firm*—Anderson, Kill & Olick, P.C.

[73] Assignee: **Wenger SA**, Delemont, Switzerland

[57] **CLAIM**

[\*\*] Term: **14 Years**

The ornamental design for a pocket knife with universal wrench, as shown and described.

[21] Appl. No.: **82,184**

**DESCRIPTION**

[22] Filed: **Jan. 16, 1998**

### Related U.S. Application Data

FIG. 1 is a pocket knife with an universal wrench according to my new design;

[62] Division of Ser. No. 48,657, Jan. 10, 1996, Pat. No. Des. 398,212.

FIG. 2 is a front elevational view of the pocket knife with an universal wrench shown in FIG. 1;

[51] **LOC (6) Cl.** ..... **08-05**

[52] **U.S. Cl.** ..... **D8/105; D8/26**

FIG. 3 is a front elevational view of the pocket knife with an universal wrench shown in FIG. 1, with the universal wrench in the folded condition;

[58] **Field of Search** ..... D8/105, 21, 99; 7/118, 168; 30/151, 152, 153, 154, 155

FIG. 4 is a lefthand view of the pocket knife with an universal wrench shown in FIG. 1;

### [56] **References Cited**

#### U.S. PATENT DOCUMENTS

D. 285,900	9/1986	Chan	.....	D8/105
D. 332,384	1/1993	Dague	.....	D8/105
D. 364,327	11/1995	Graham	.....	D8/105
1,186,807	6/1916	Litomy	.....	7/168
1,369,829	3/1921	Minges	.....	7/168

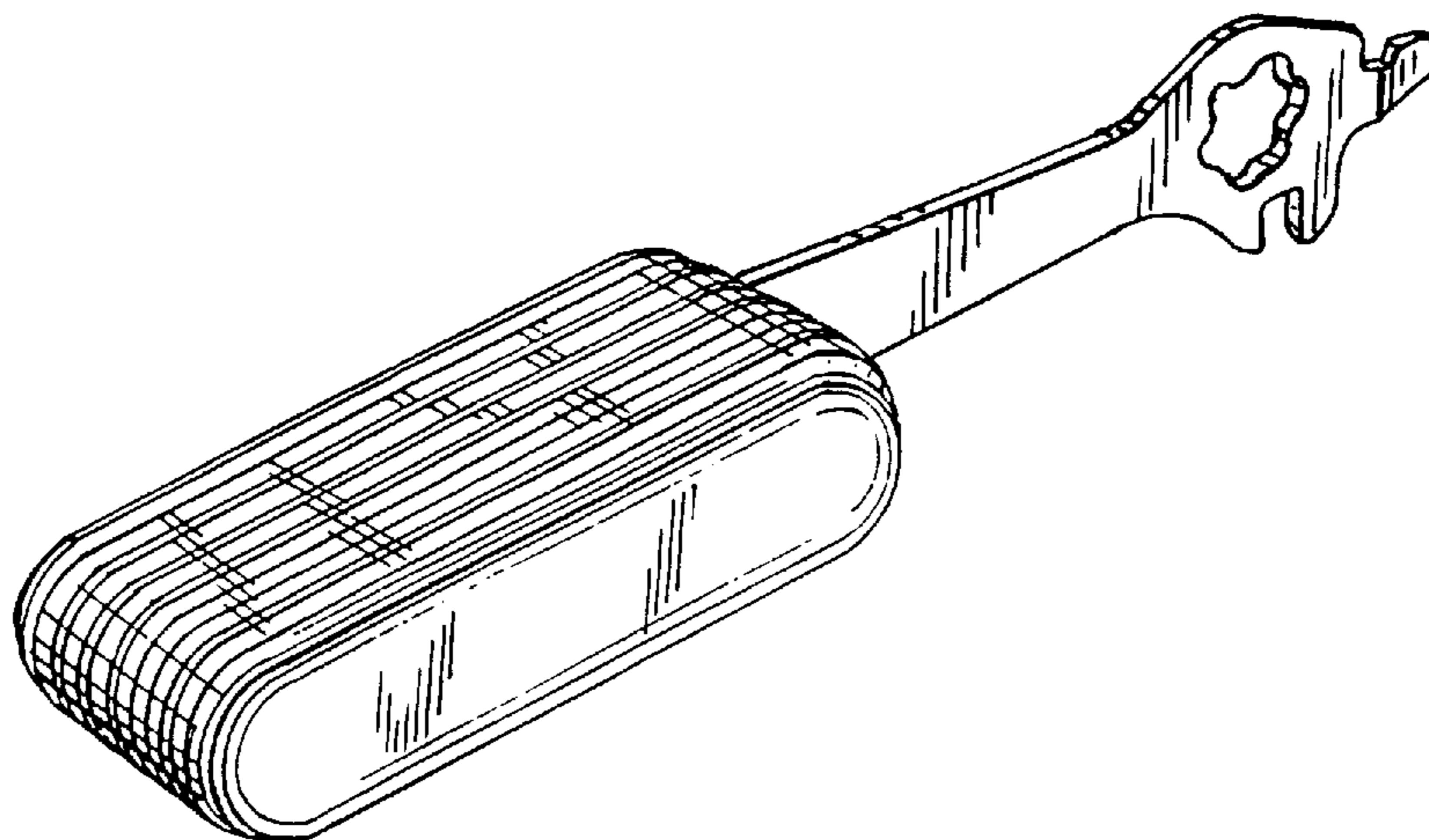
FIG. 5 is a righthand view of the pocket knife with an universal wrench shown in FIG. 1;

FIG. 6 is a rear elevational view of the pocket knife with an universal wrench shown in FIG. 1;

FIG. 7 is a top view of the pocket knife with an universal wrench shown in FIG. 1; and,

FIG. 8 is a bottom view of the pocket knife with an universal wrench shown in FIG. 1.

**1 Claim, 2 Drawing Sheets**



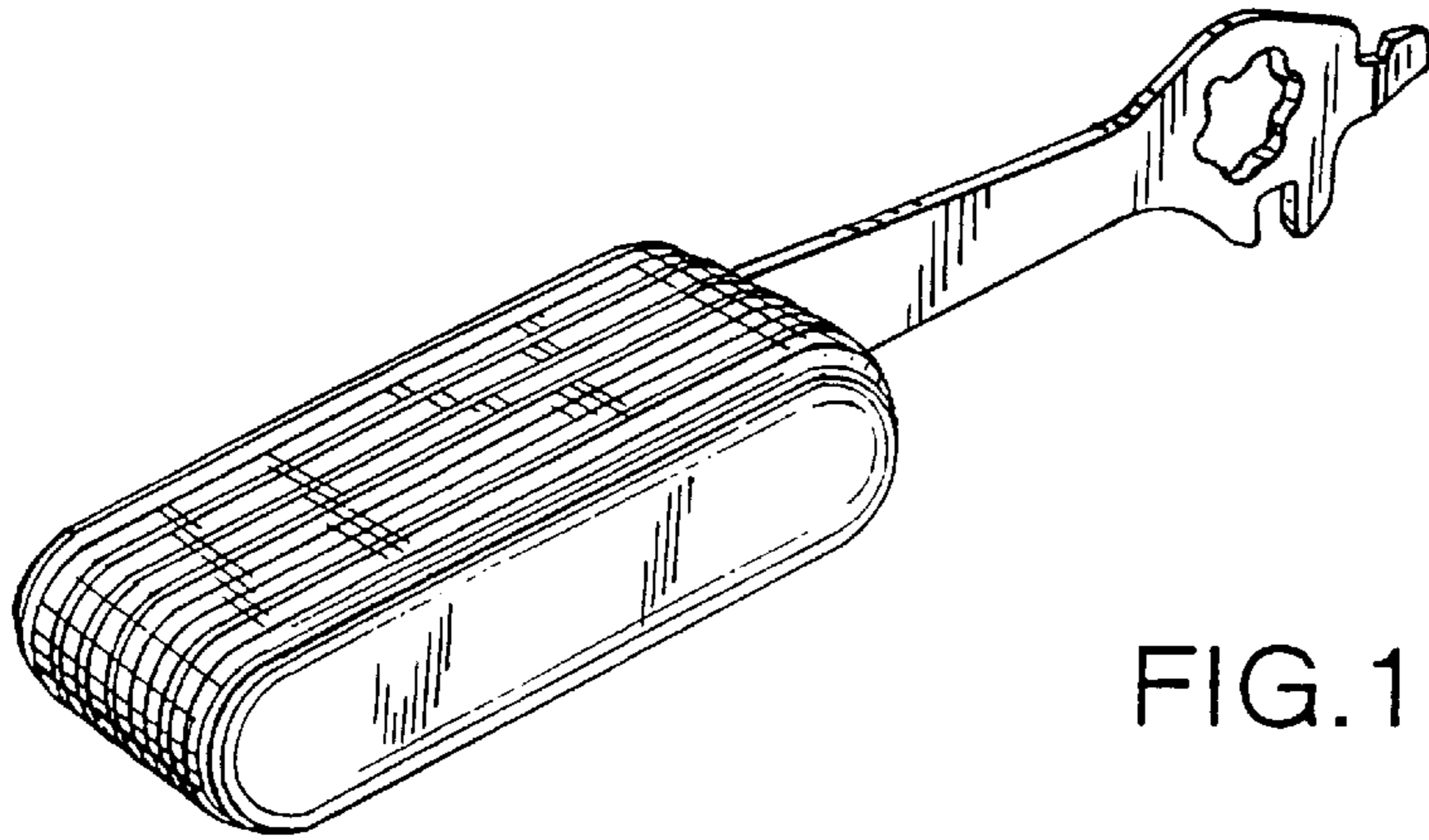


FIG. 1

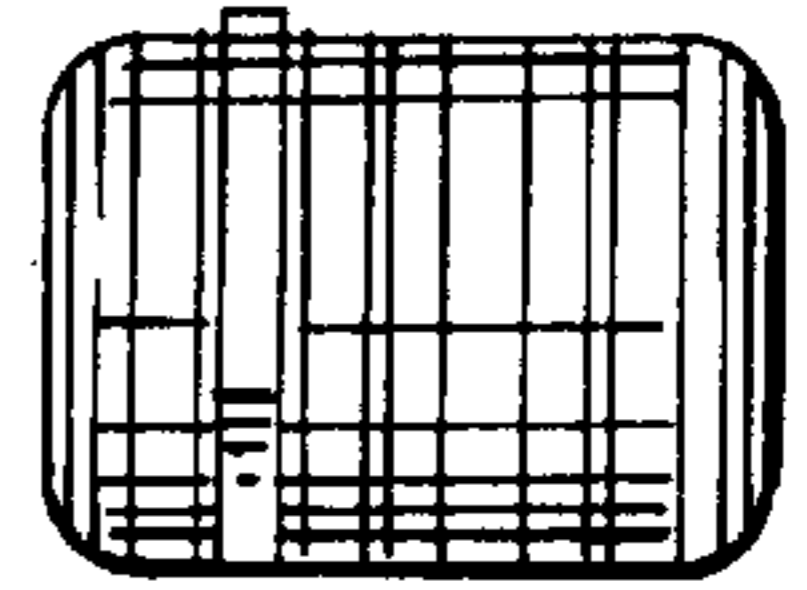


FIG. 4

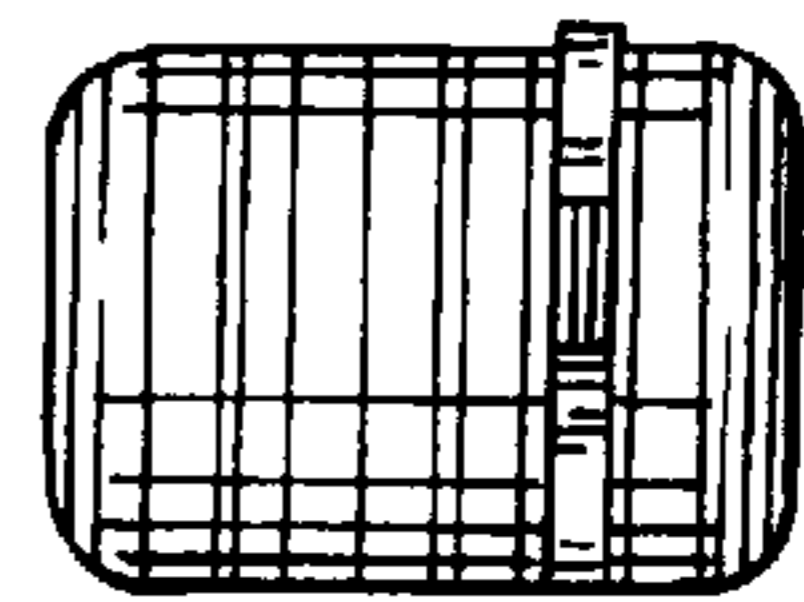


FIG. 5

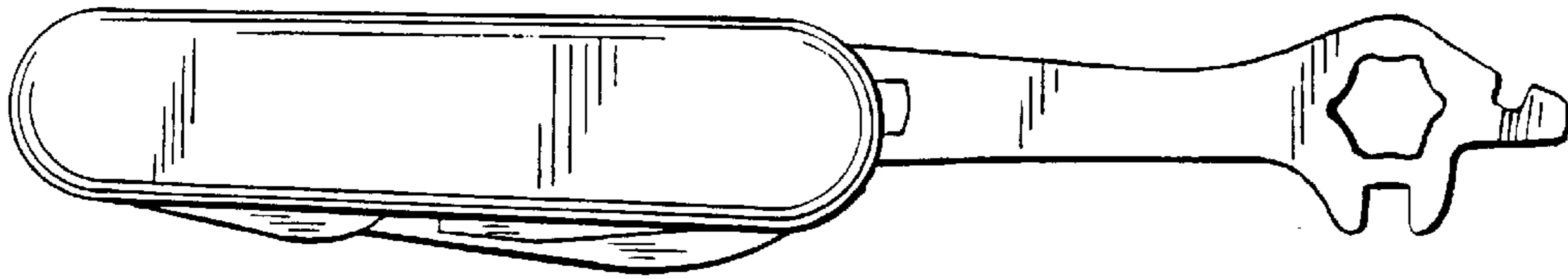


FIG. 2

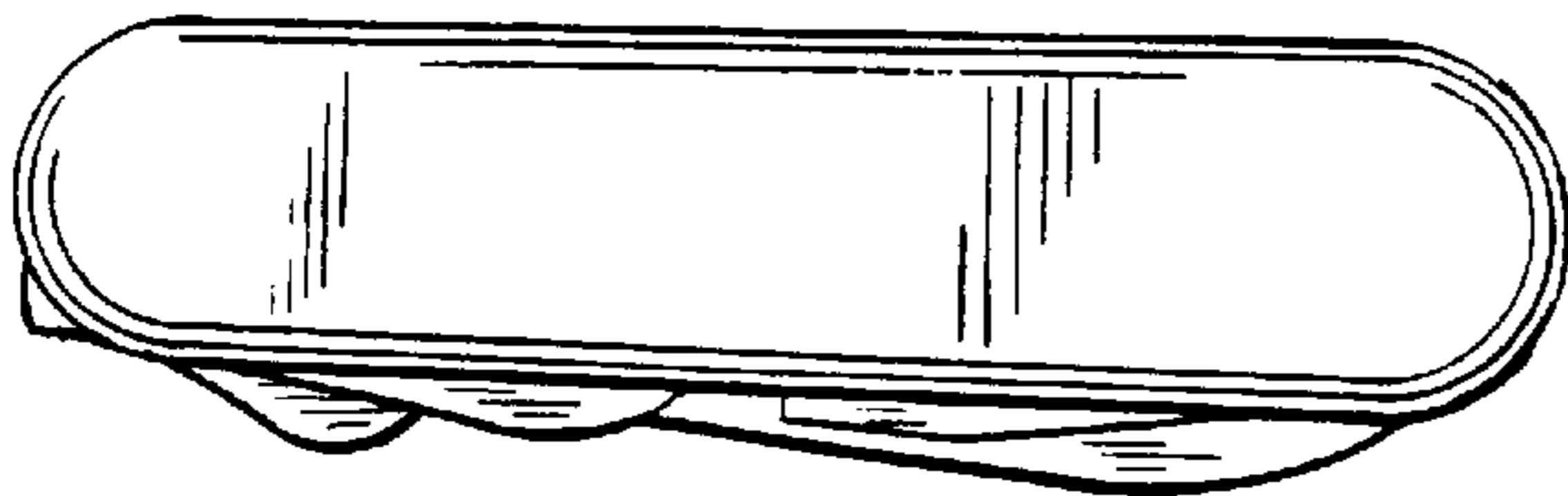


FIG. 3

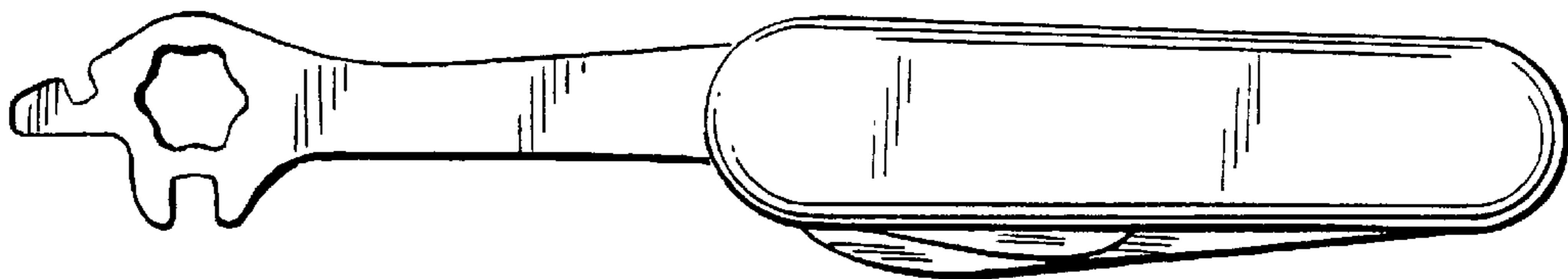


FIG. 6

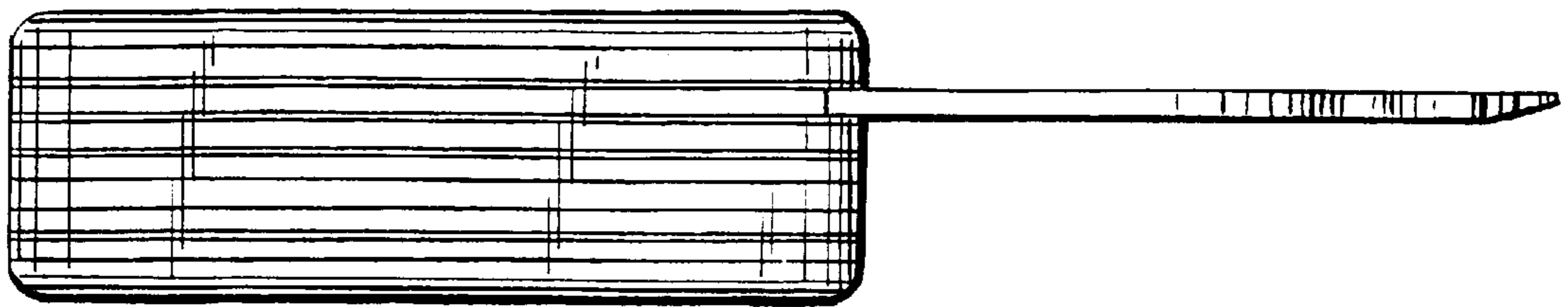


FIG. 7

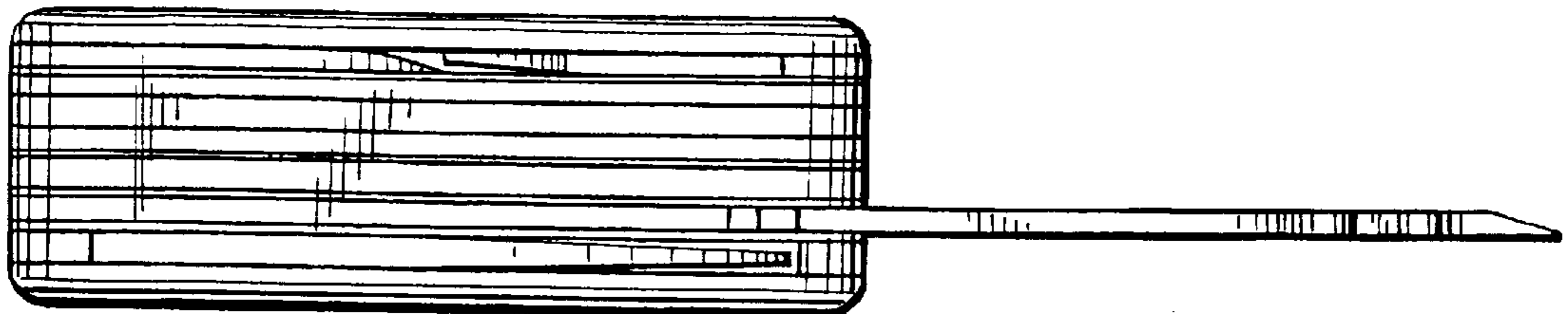


FIG. 8