



US00D407617S

United States Patent [19]

Cooper et al.

[11] **Patent Number:** **Des. 407,617**

[45] **Date of Patent:** ****Apr. 6, 1999**

[54] **ROUTER DUST-COLLECTION SYSTEM**

[75] Inventors: **Randy G. Cooper**, Milan; **Michael K. Taylor**, Alamo, both of Tenn.

[73] Assignee: **Porter Cable-Corporation**, Jackson, Tenn.

[**] Term: **14 Years**

[21] Appl. No.: **73,635**

[22] Filed: **Jul. 11, 1997**

[51] **LOC (6) Cl.** **08-03**

[52] **U.S. Cl.** **D8/70; D8/66**

[58] **Field of Search** D8/64; 451/344, 451/356, 357, 351, 164

[56] **References Cited**

U.S. PATENT DOCUMENTS

D. 334,330	3/1993	Moshammer	D8/70
D. 376,526	12/1996	Hepburn	D8/70
5,527,207	6/1996	Azar et al.	451/344

Primary Examiner—Antione Duval Davis
Attorney, Agent, or Firm—Merchant, Gould, Smith, Edell, Welter & Schmidt, P.A.

[57] **CLAIM**

The ornamental design for router dust-collection system, as shown and described.

DESCRIPTION

FIG. 1 is a front and top-left perspective view of a router dust-collection system illustrating our new design; FIG. 2 is a back and top-right perspective view thereof; FIG. 3 is a left side view thereof; FIG. 4 is a right side view thereof; FIG. 5 is a rear view thereof; FIG. 6 is a front view thereof; FIG. 7 is a top view thereof; FIG. 8 is a bottom view thereof; FIG. 9 is a front and bottom-left perspective view thereof; and, FIG. 10 is a front and bottom-right perspective view thereof with the bottom cover pivoted relative to the sub-base.

1 Claim, 10 Drawing Sheets

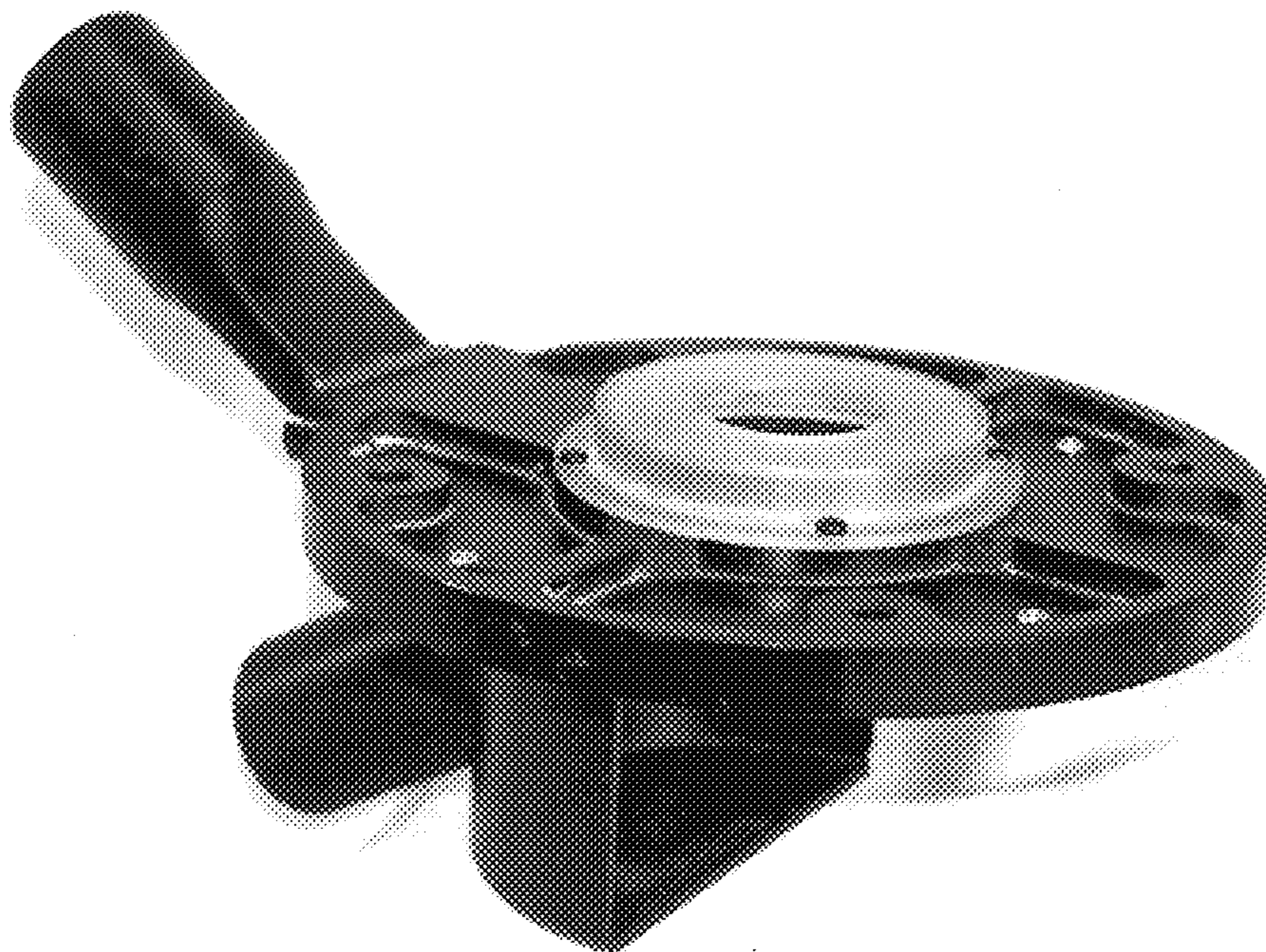


FIG. 1

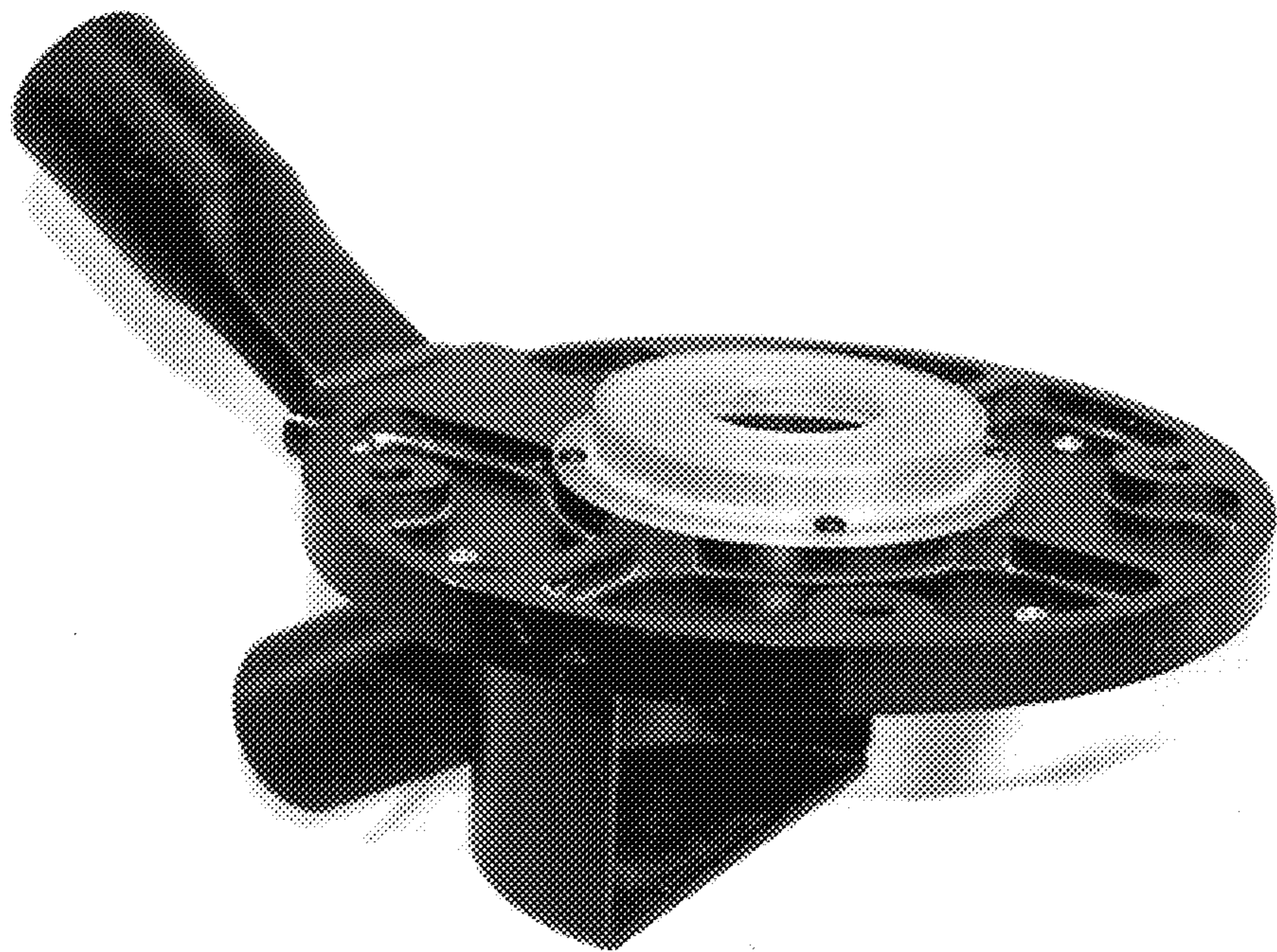


FIG. 2

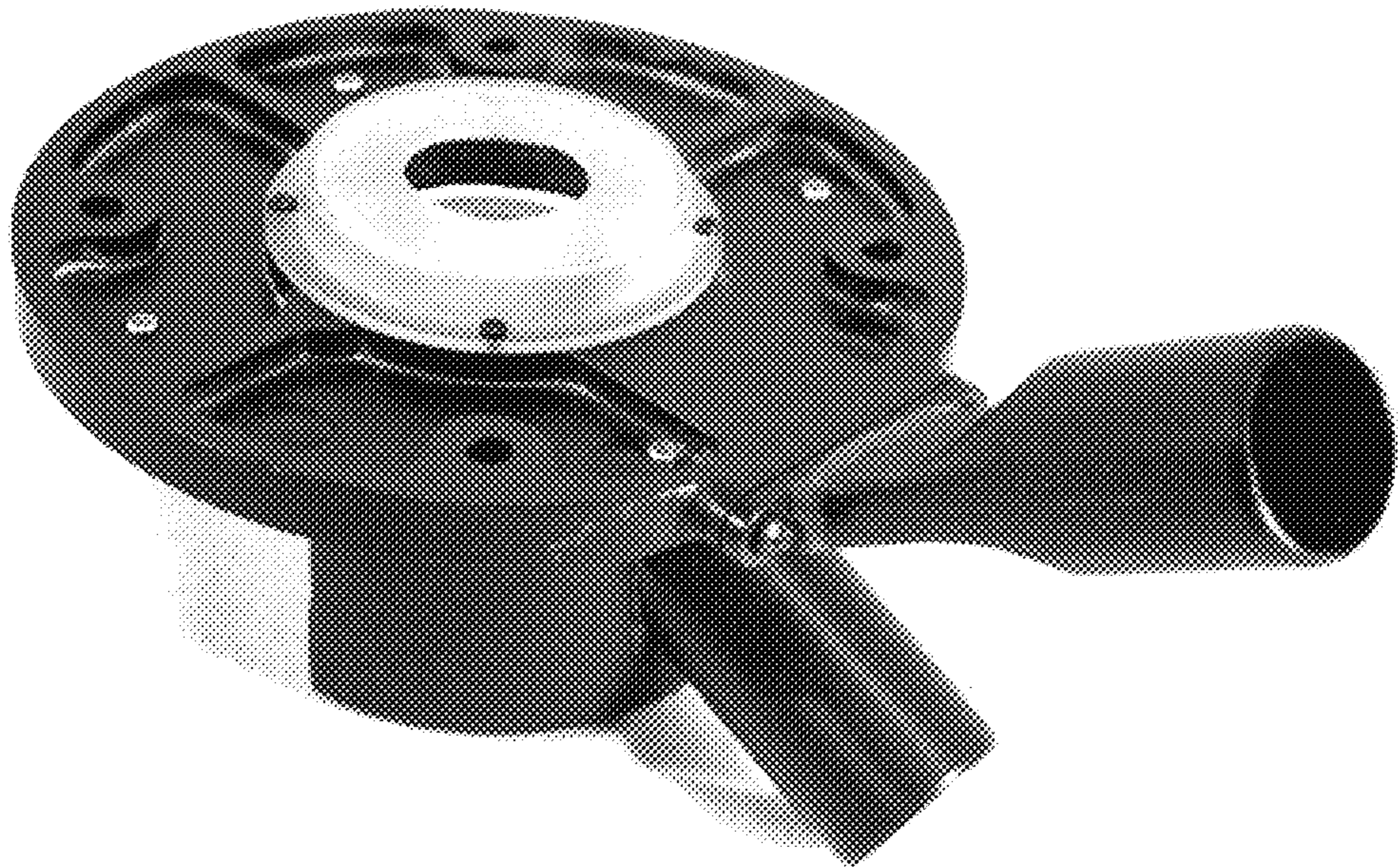


FIG. 3

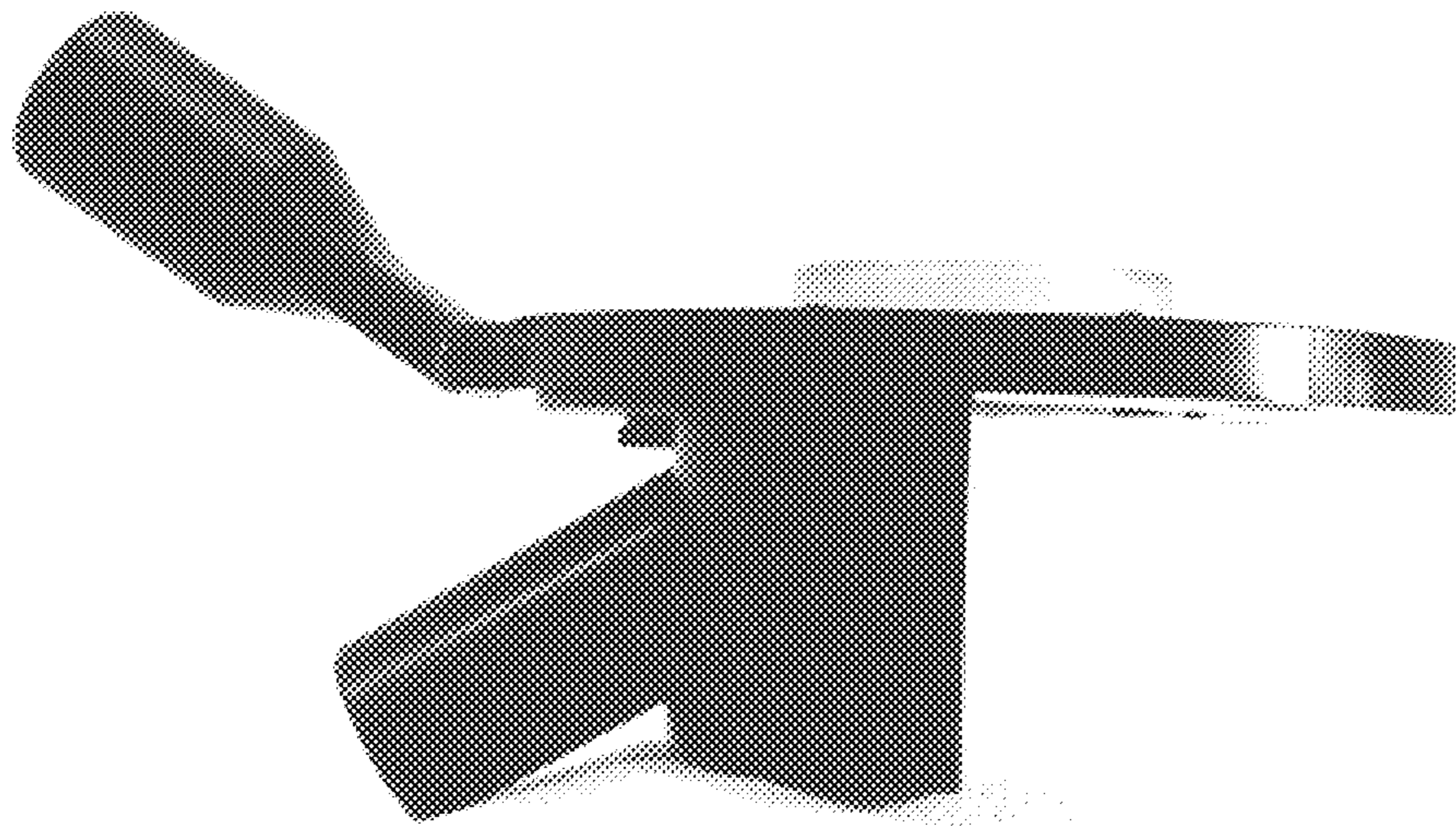


FIG. 4

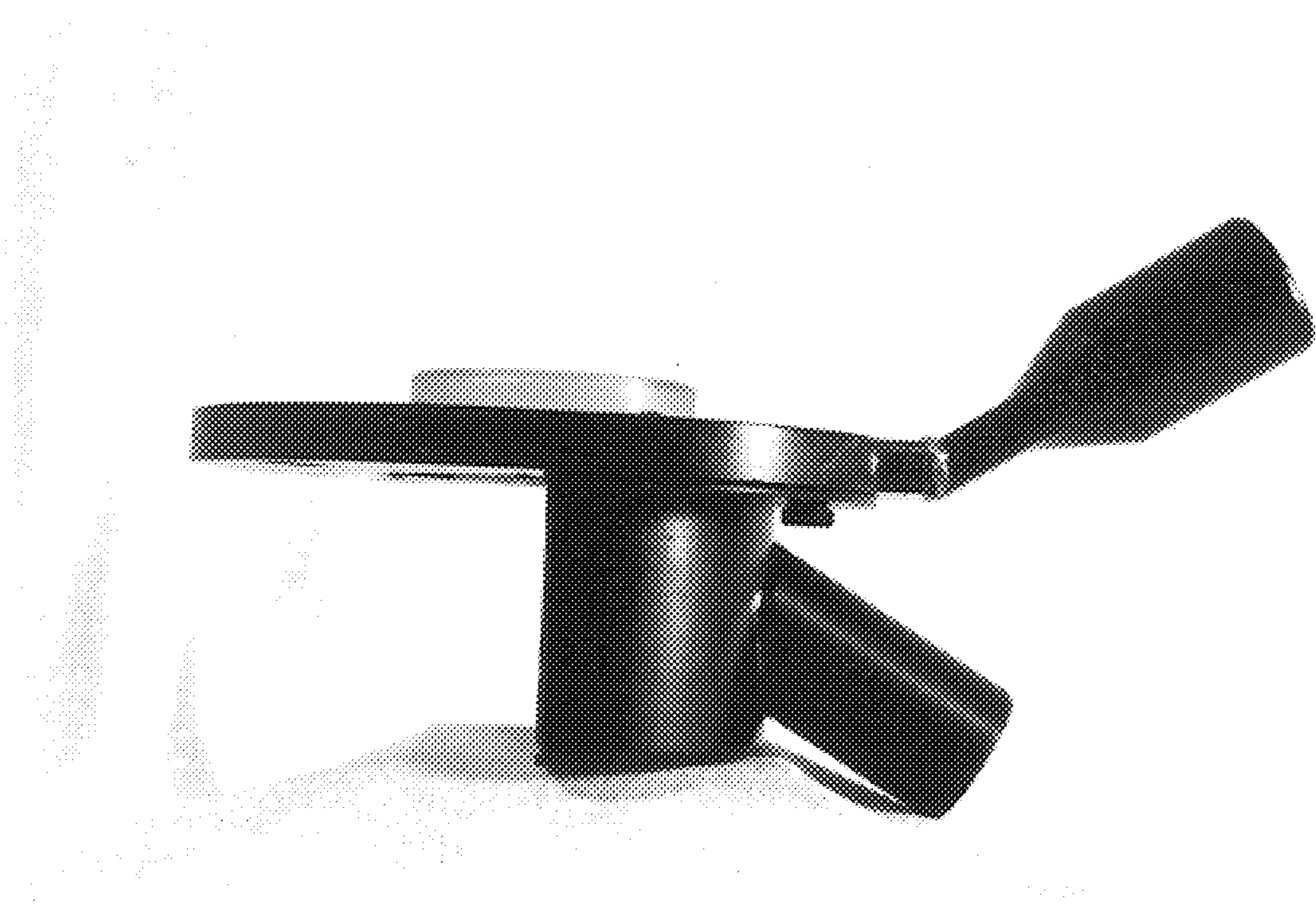


FIG. 5



FIG. 6

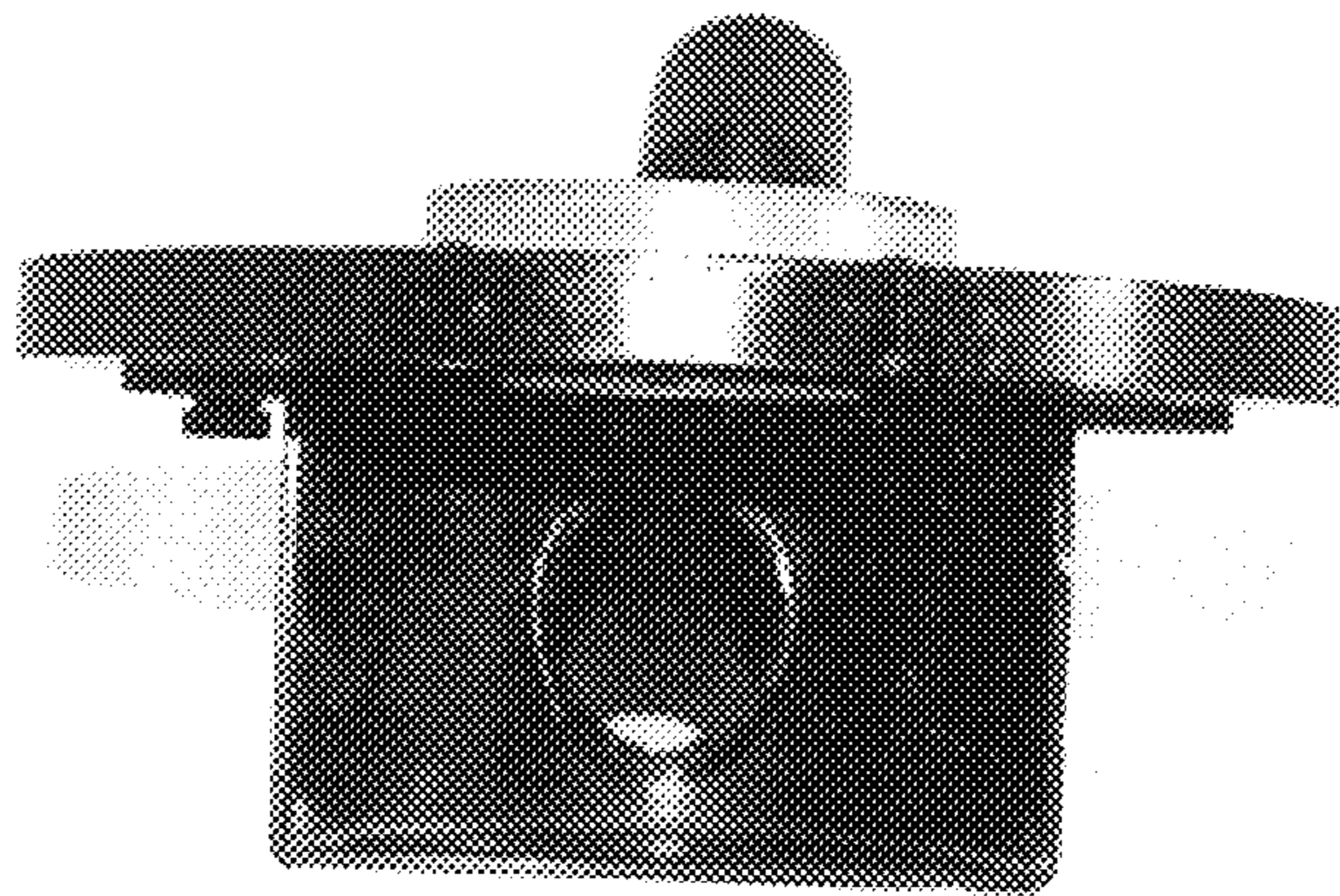


FIG. 7

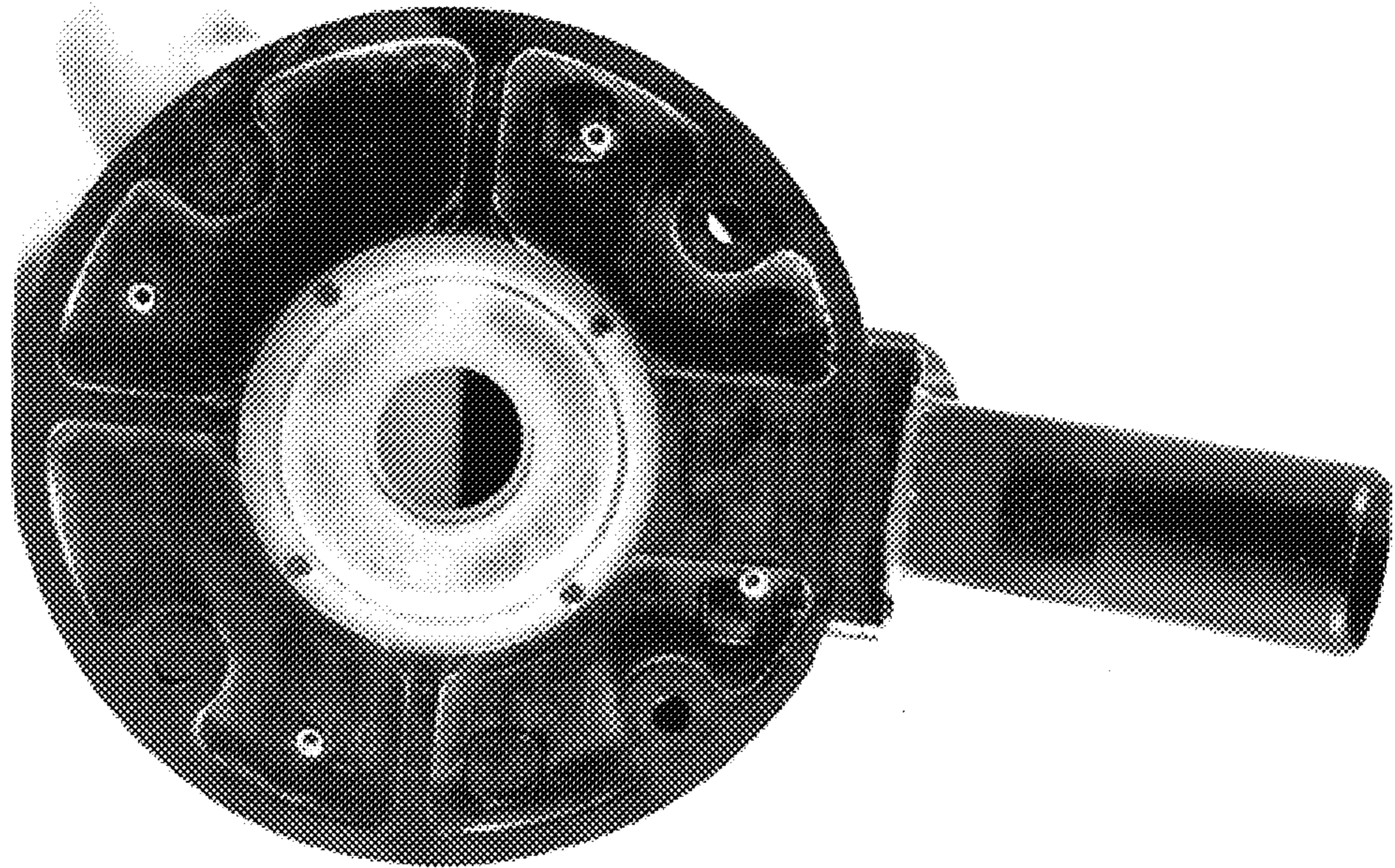


FIG. 8

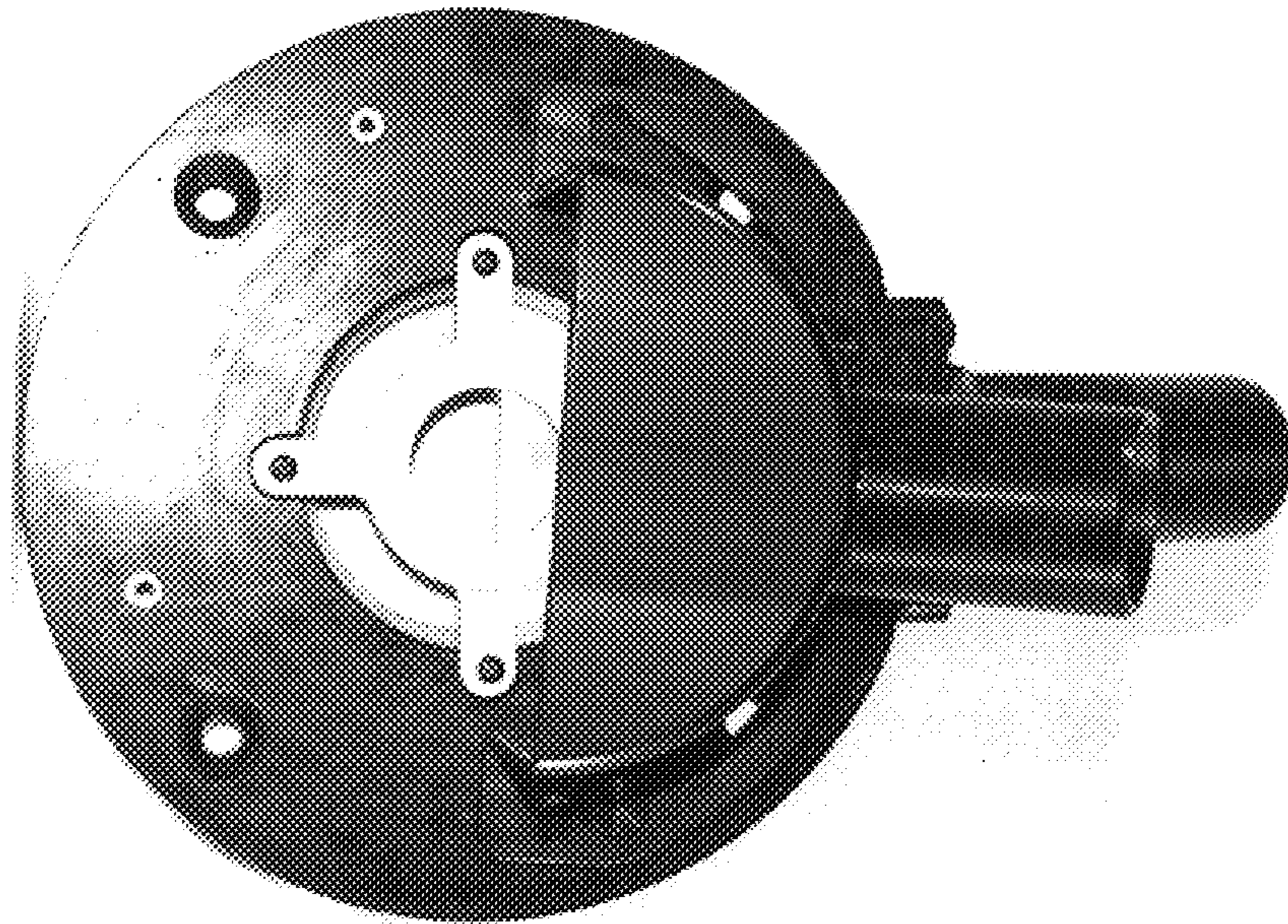


FIG. 9

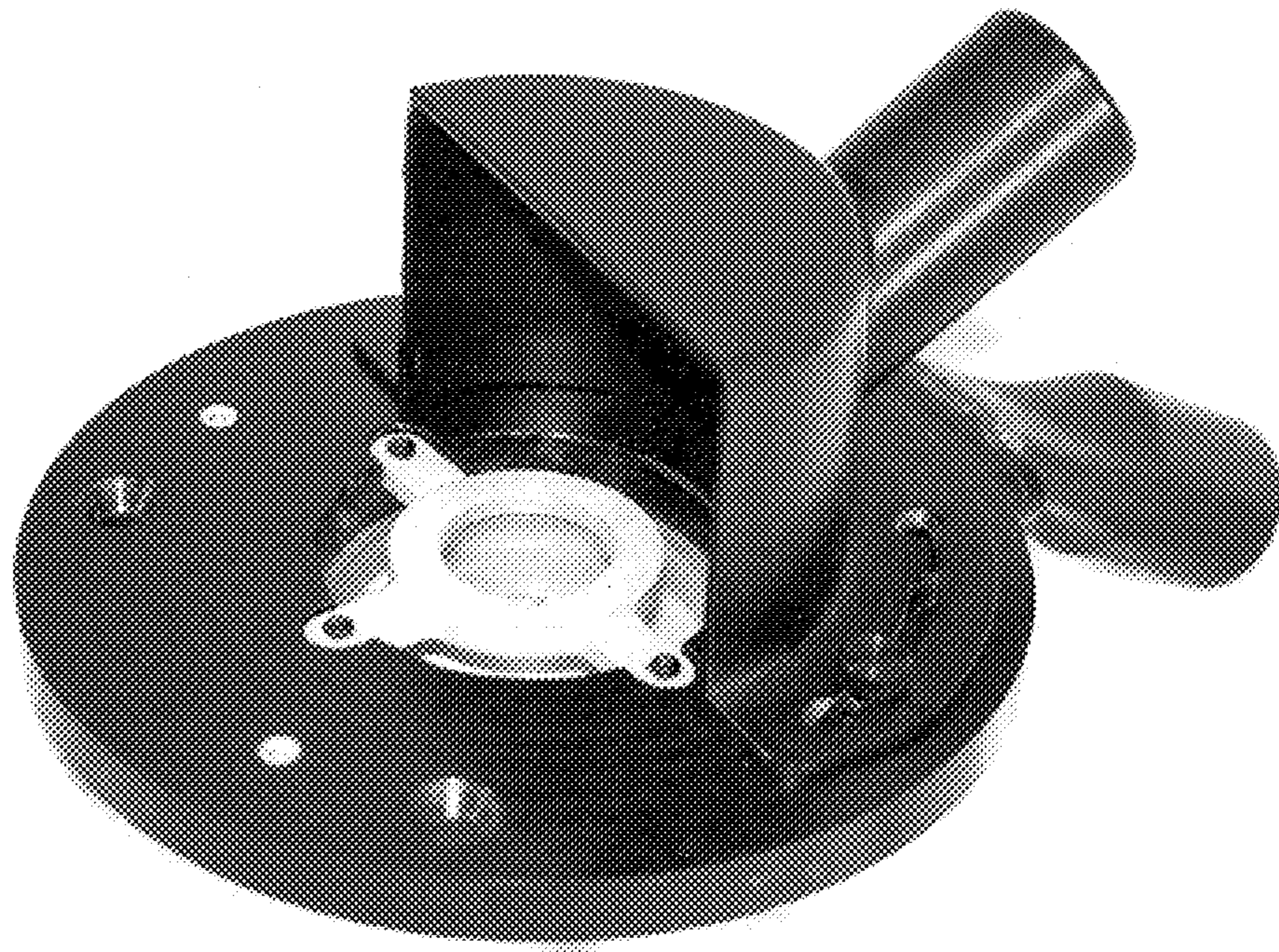


FIG. 10

