



US00D407614S

United States Patent [19]

Levin et al.

[11] **Patent Number: Des. 407,614**

[45] **Date of Patent: **Apr. 6, 1999**

[54] **COMBINED CAN OPENER AND BAG SEALER**

[75] Inventors: **Monte Levin**, New York; **Sean Simmons**, Sea Cliff, both of N.Y.

[73] Assignee: **The Singer Company N.V.**, Curacao, Netherlands Antilles

[**] Term: **14 Years**

[21] Appl. No.: **25,742**

[22] Filed: **Jul. 11, 1994**

Related U.S. Application Data

[63] Continuation-in-part of Ser. No. 4,652, Feb. 10, 1993, abandoned.

[51] **LOC (6) Cl.** **07-99**

[52] **U.S. Cl.** **D8/34; D8/35; D8/36**

[58] **Field of Search** **D8/18, 33-36, D8/38, 40-43, 105; 81/3.4, 3.55, 3.09; 30/404**

[56] References Cited

U.S. PATENT DOCUMENTS

D. 230,005 1/1974 Weiss D8/35

D. 240,700	7/1976	Scott et al.	D8/35
D. 302,929	8/1989	Thomas	D8/35
D. 306,548	3/1990	Mezey et al.	D8/36
3,858,313	1/1975	Yamaguchi	30/404
3,942,247	3/1976	Ponczek et al.	D8/36

OTHER PUBLICATIONS

Hong Kong Enterprise, Jul. 1987 p. 254 (Can opener, Item 223).

Hong Kong Enterprise, Oct. 1990 p. 191 (Can opener, P091).

Primary Examiner—Ted Shooman

Assistant Examiner—Adir Aronovich

Attorney, Agent, or Firm—Cummings & Lockwood

[57] CLAIM

The ornamental design for a combined can opener and bag sealer, as shown and described.

DESCRIPTION

FIG. 1 is a top, front perspective view of a combined can opener and bag sealer showing our new design;

FIG. 2 is a right side view;

FIG. 3 is a top view;

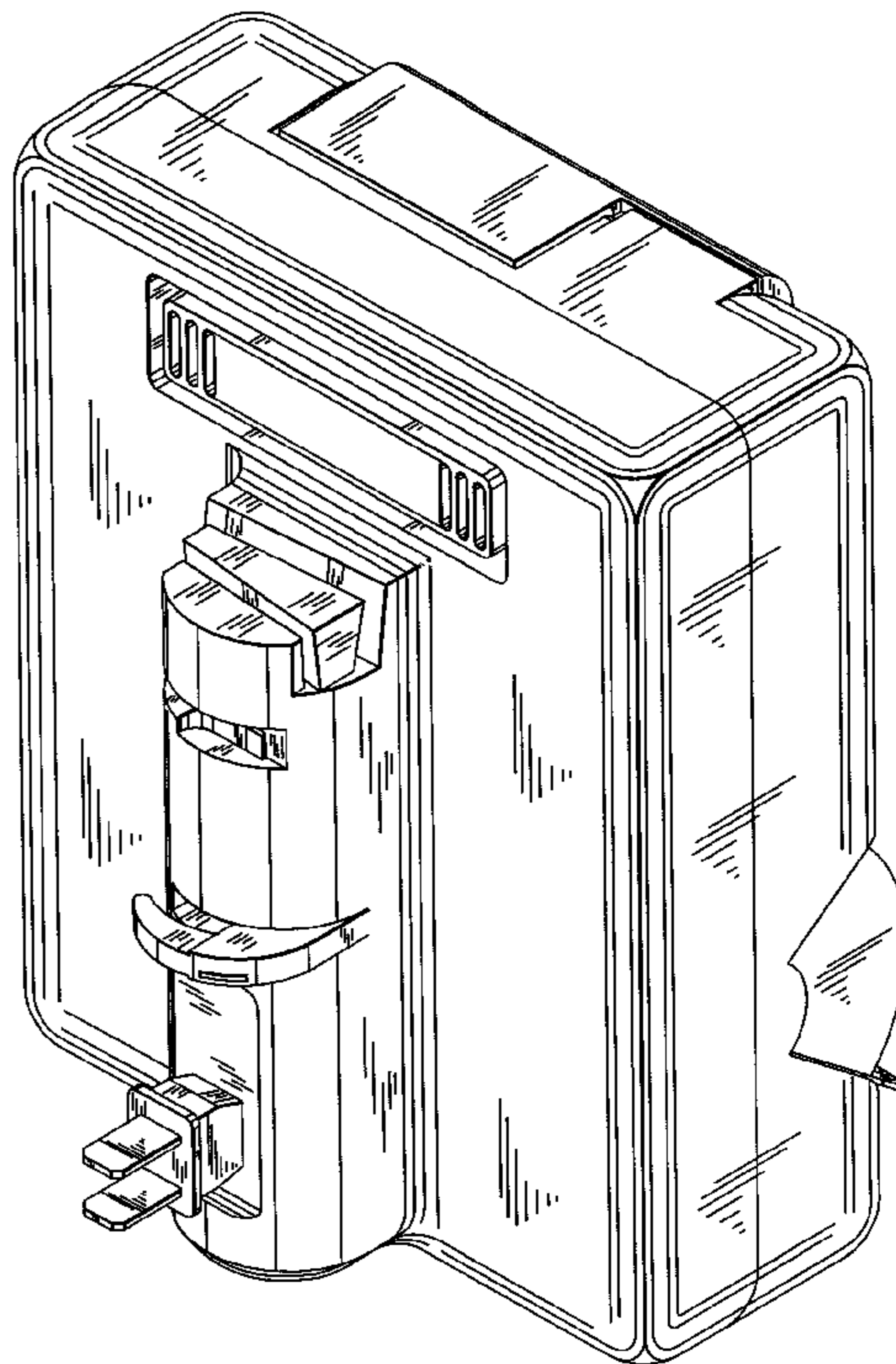
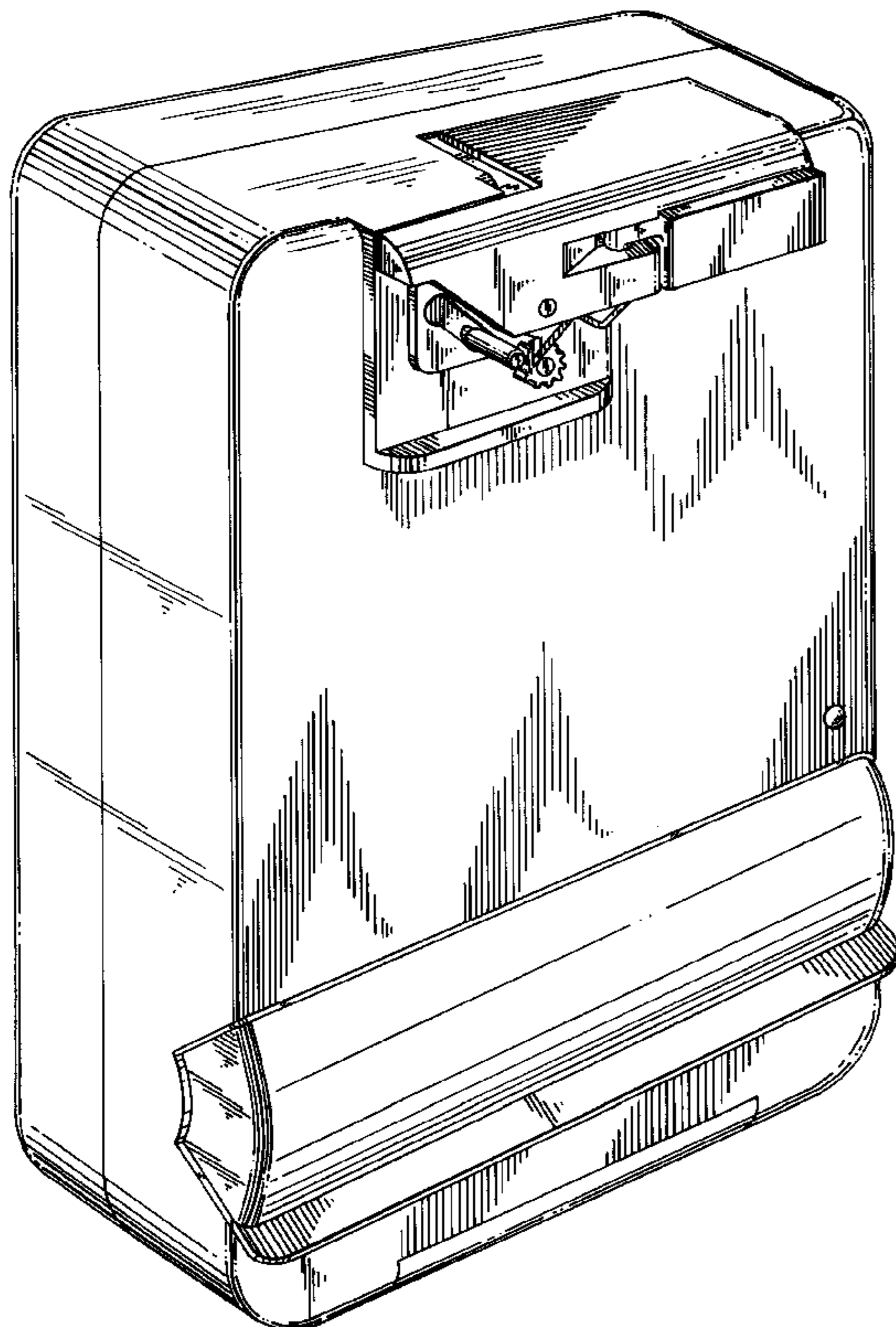
FIG. 4 is a bottom view;

FIG. 5 is a rear view;

FIG. 6 is a left side view; and,

FIG. 7 is a top, rear perspective view thereof.

1 Claim, 7 Drawing Sheets



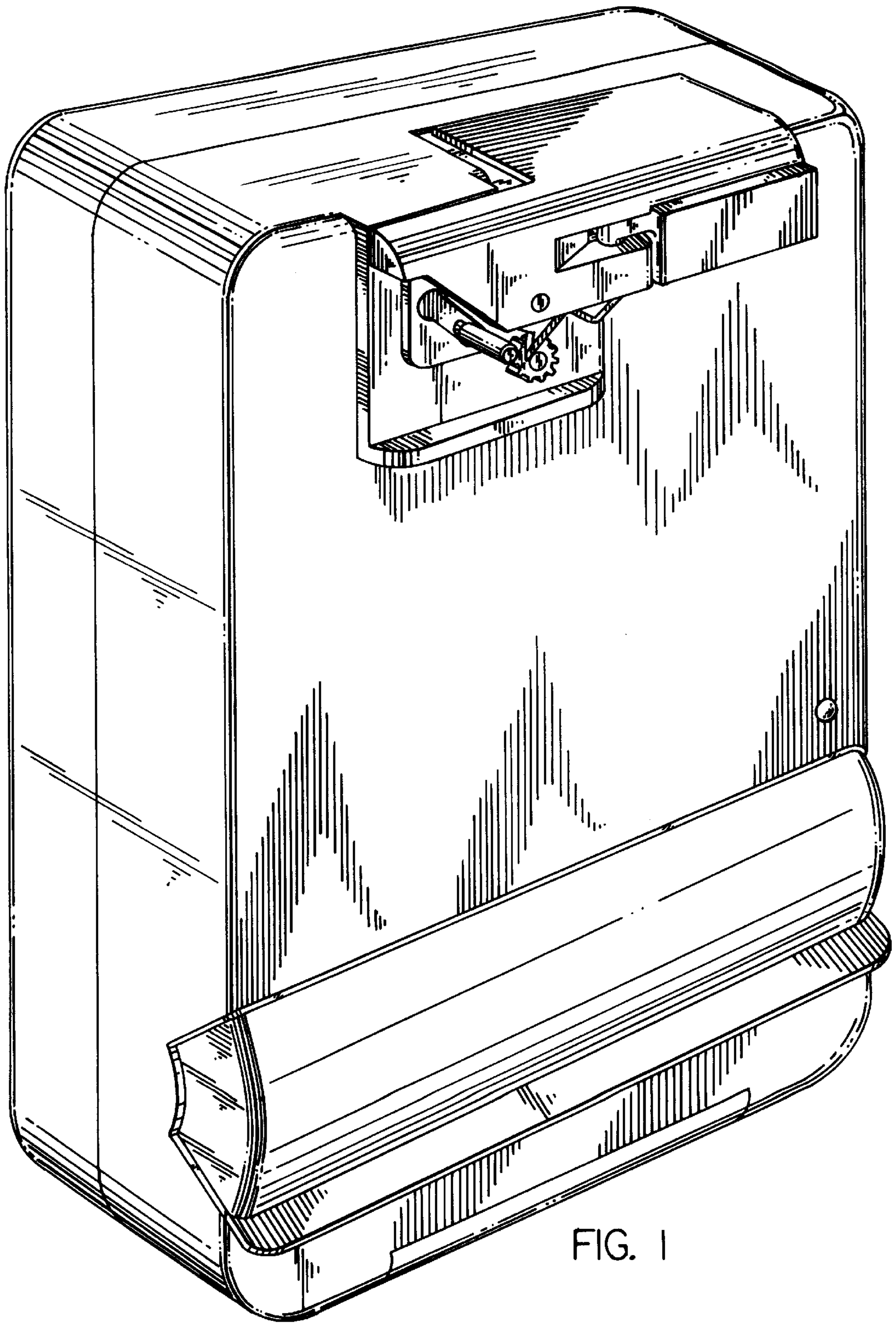
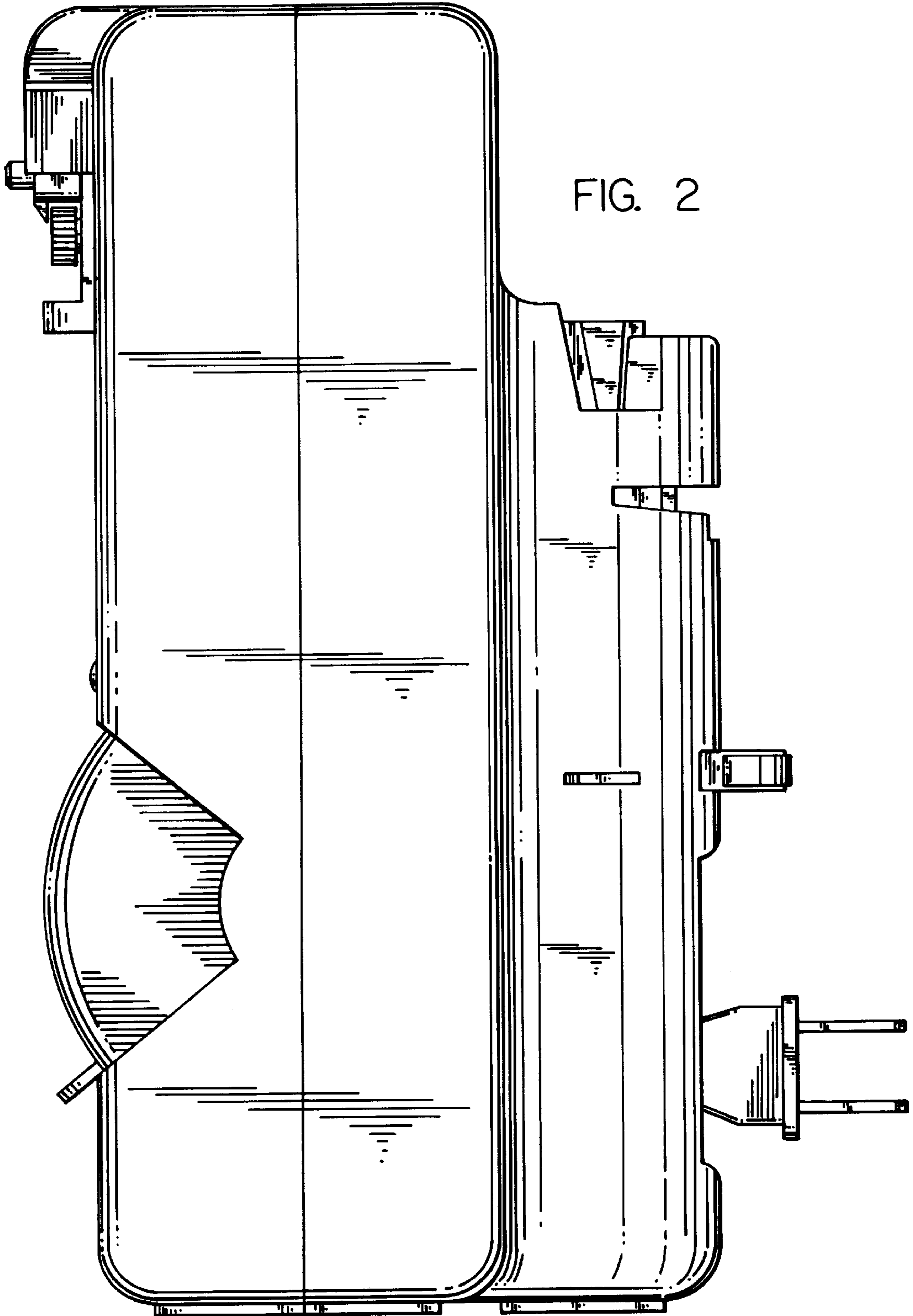
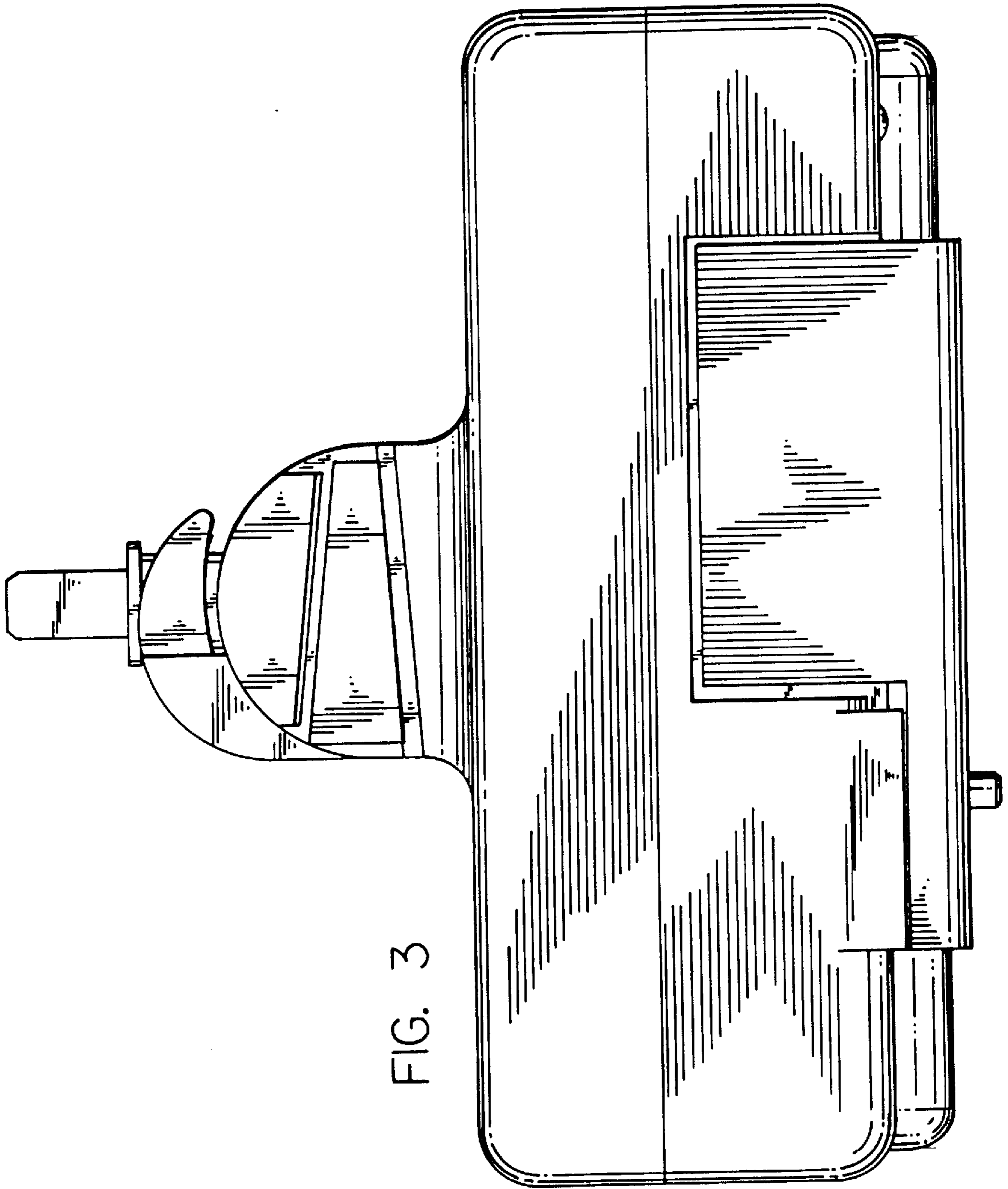


FIG. 1





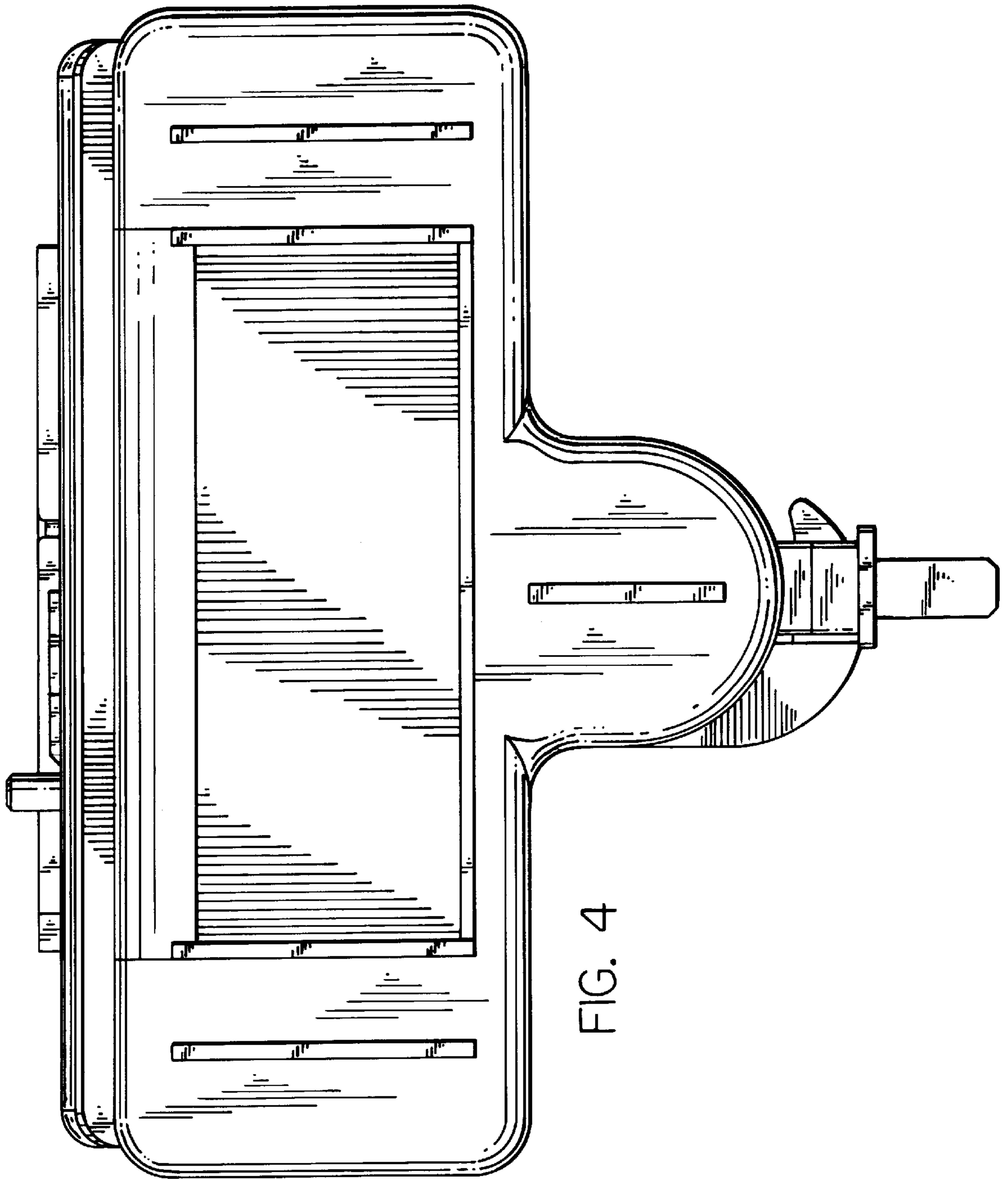


FIG. 4

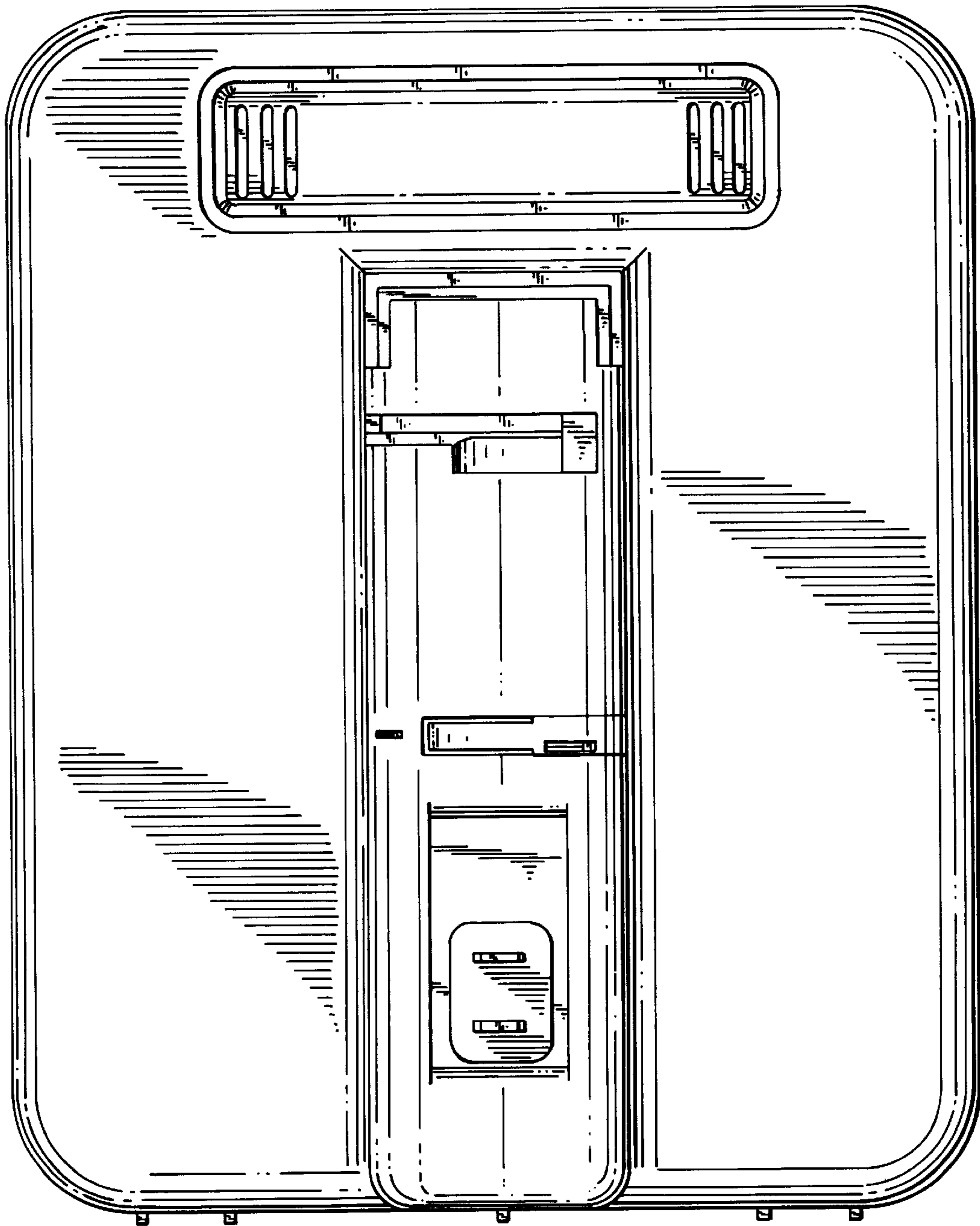
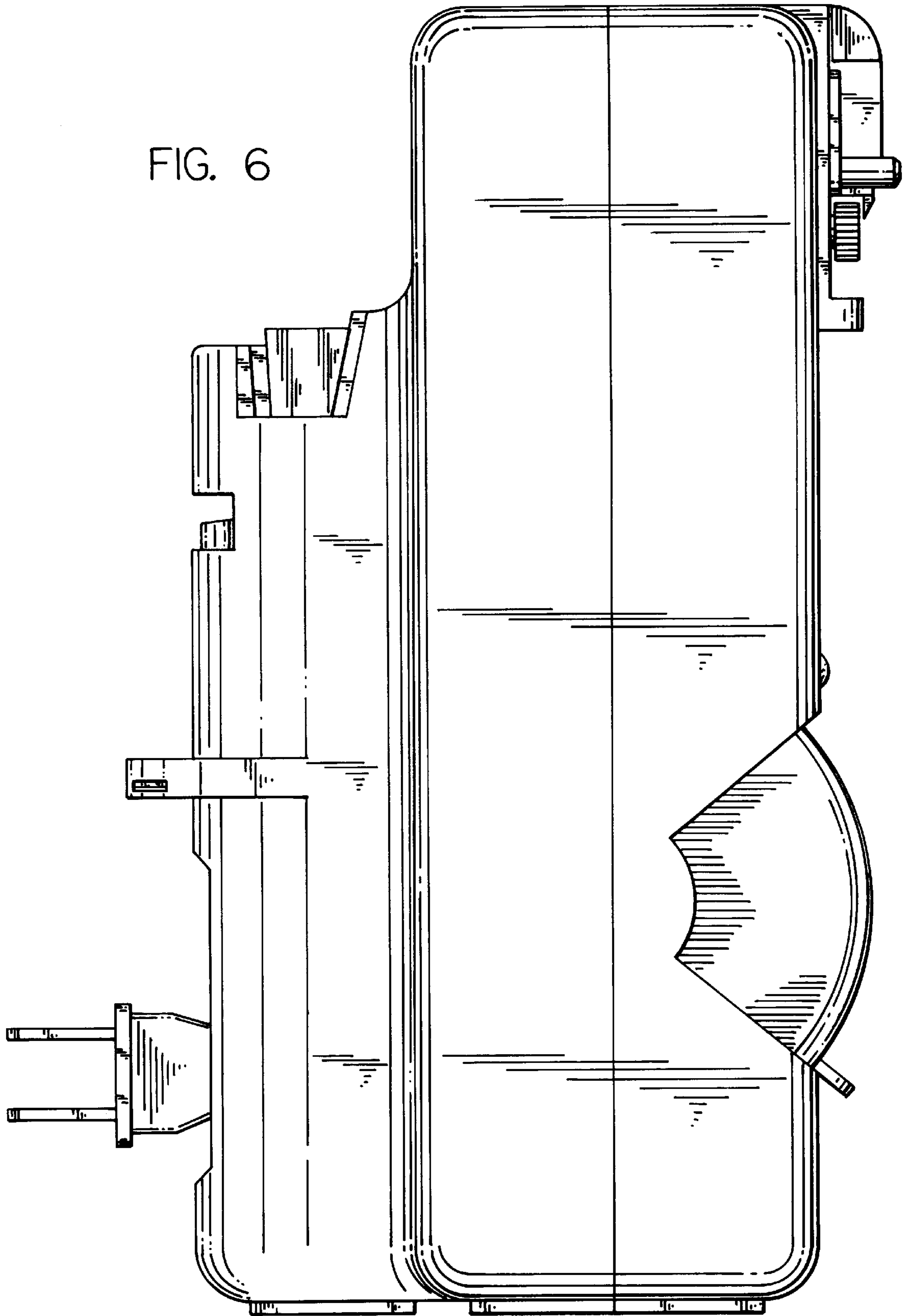


FIG. 5

FIG. 6



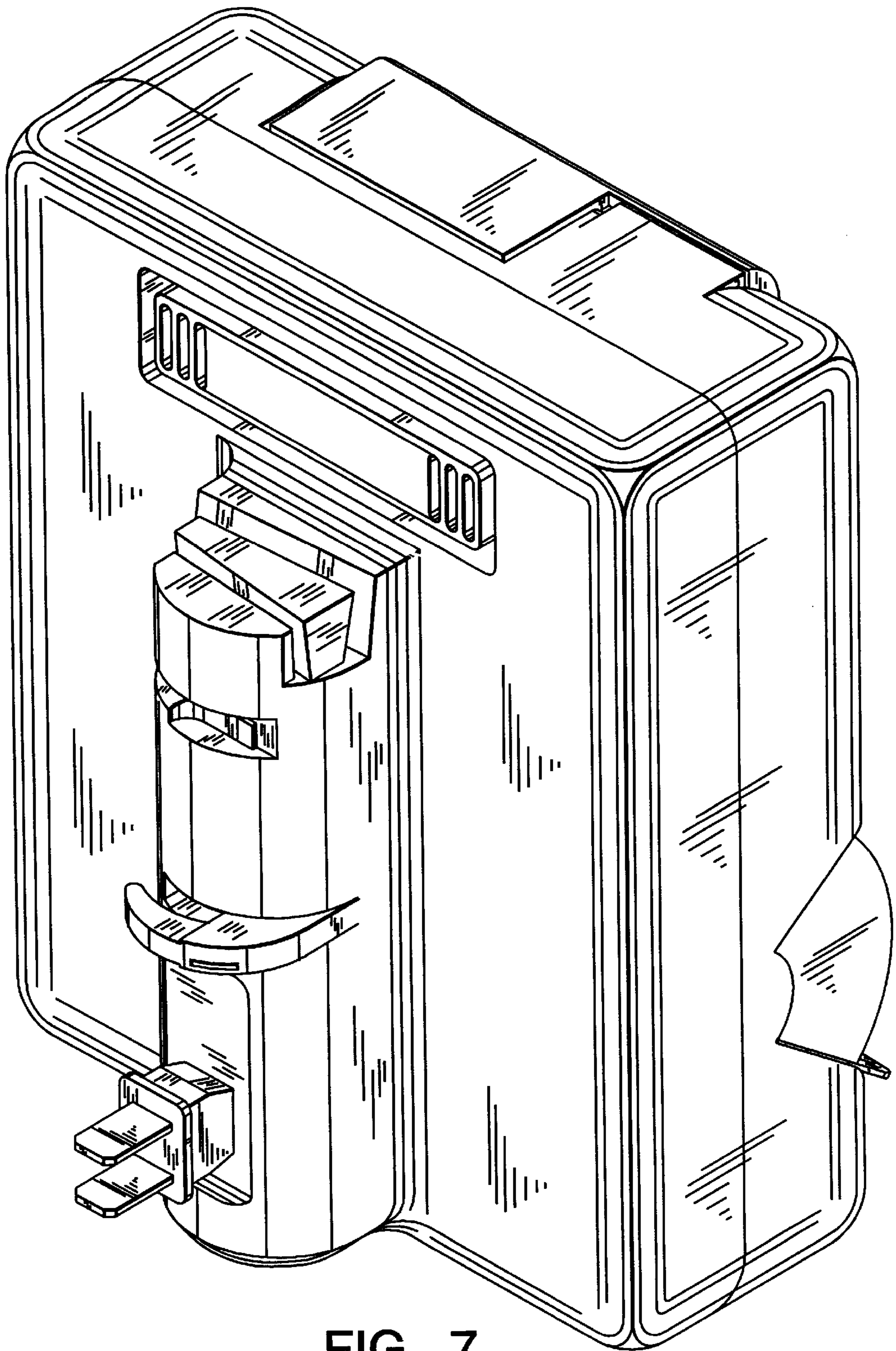


FIG. 7