



US00D407613S

United States Patent [19] Gräper

[11] **Patent Number: Des. 407,613**

[45] **Date of Patent: **Apr. 6, 1999**

[54] **GREASE GUN**

[75] Inventor: **Hans Joachim Gräper**, Herford, Germany

[73] Assignee: **Umeta Hermann Ulrichskotter Metallwarenfabrik GmbH & Co.**, Bielefeld, Germany

[**] Term: **14 Years**

[21] Appl. No.: **78,969**

[22] Filed: **Oct. 20, 1997**

[30] **Foreign Application Priority Data**

Apr. 21, 1997 [DE] Germany M 97 03 975.6

[51] **LOC (6) Cl.** **08-05**

[52] **U.S. Cl.** **D8/14.1**

[58] **Field of Search** D8/14.1; 184/14, 184/26, 38.1-38.3, 105.1, 105.2; 222/256, 260, 324, 326, 327, 372

[56] **References Cited**

U.S. PATENT DOCUMENTS

- D. 295,599 5/1988 Shewe D8/14.1
- D. 357,392 4/1995 Kimpel et al. D8/14.1
- 5,199,614 4/1993 Husman 222/256

FOREIGN PATENT DOCUMENTS

9203725 11/1992 Germany .

Primary Examiner—Terry A. Wallace
Attorney, Agent, or Firm—REichard M. Goldberg

[57] **CLAIM**

The ornamental design for a grease gun, as shown and described.

DESCRIPTION

FIG. 1 is a right side elevational view showing my new design;
 FIG. 2 is a left side elevational view thereof;
 FIG. 3 is a front elevational view thereof;
 FIG. 4 is a rear elevational view thereof;
 FIG. 5 is a top plan view of all three embodiments of my new design;
 FIG. 6 is a bottom plan view of the first and second embodiments of my new design;
 FIG. 7 is a right side elevational view showing another embodiment of my new design;
 FIG. 8 is a left side elevational view of FIG. 7;
 FIG. 9 is a front elevational view of FIG. 7;
 FIG. 10 is a rear elevational view of FIG. 7;
 FIG. 11 is a right side elevational view showing still another embodiment of my new design;
 FIG. 12 is a left side elevational view of FIG. 11;
 FIG. 13 is a front elevational view of FIG. 11;
 FIG. 14 is a rear elevational view of FIG. 11; and,
 FIG. 15 is a bottom plan view of FIG. 11.

1 Claim, 11 Drawing Sheets

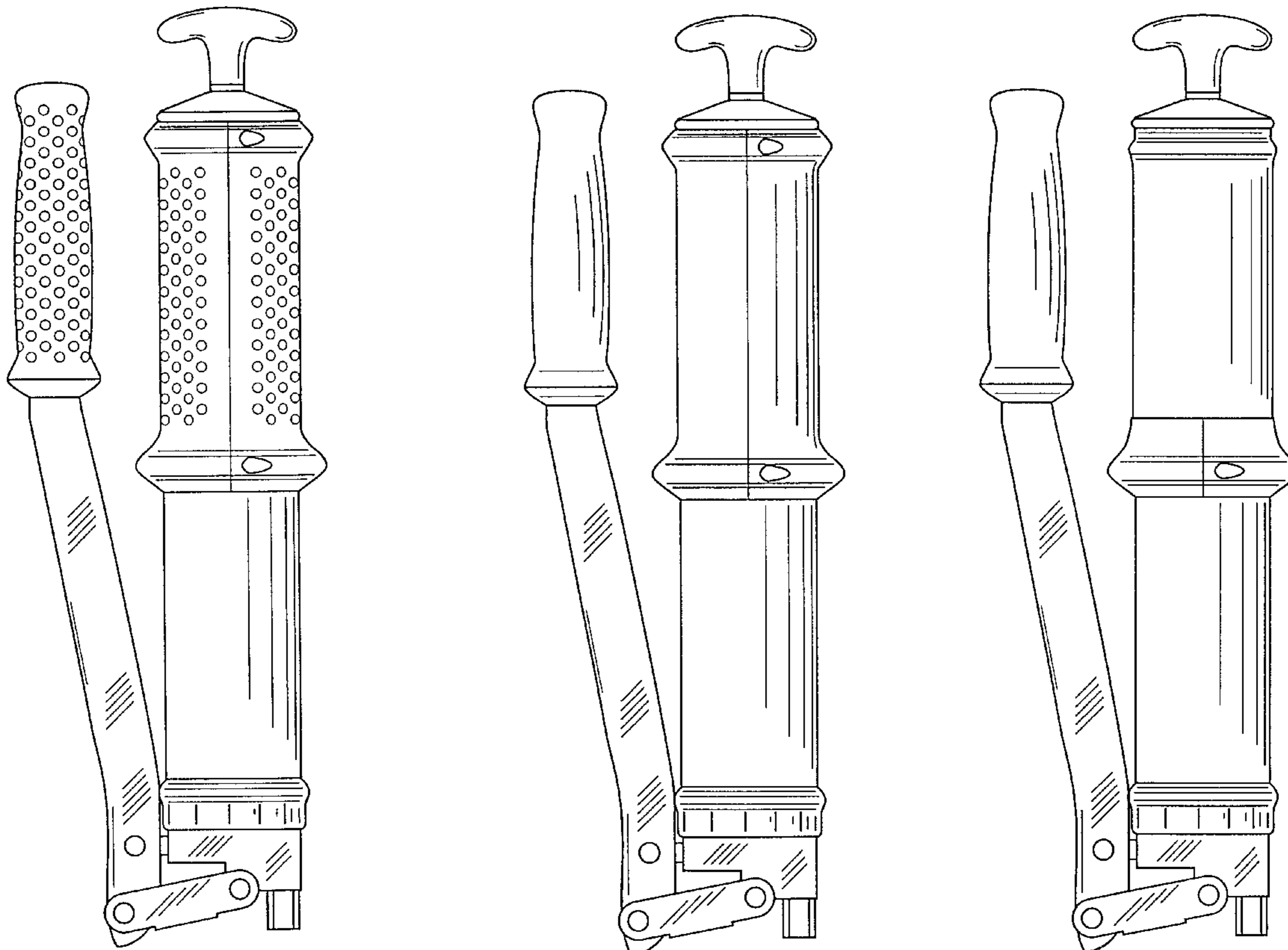


Fig. 1

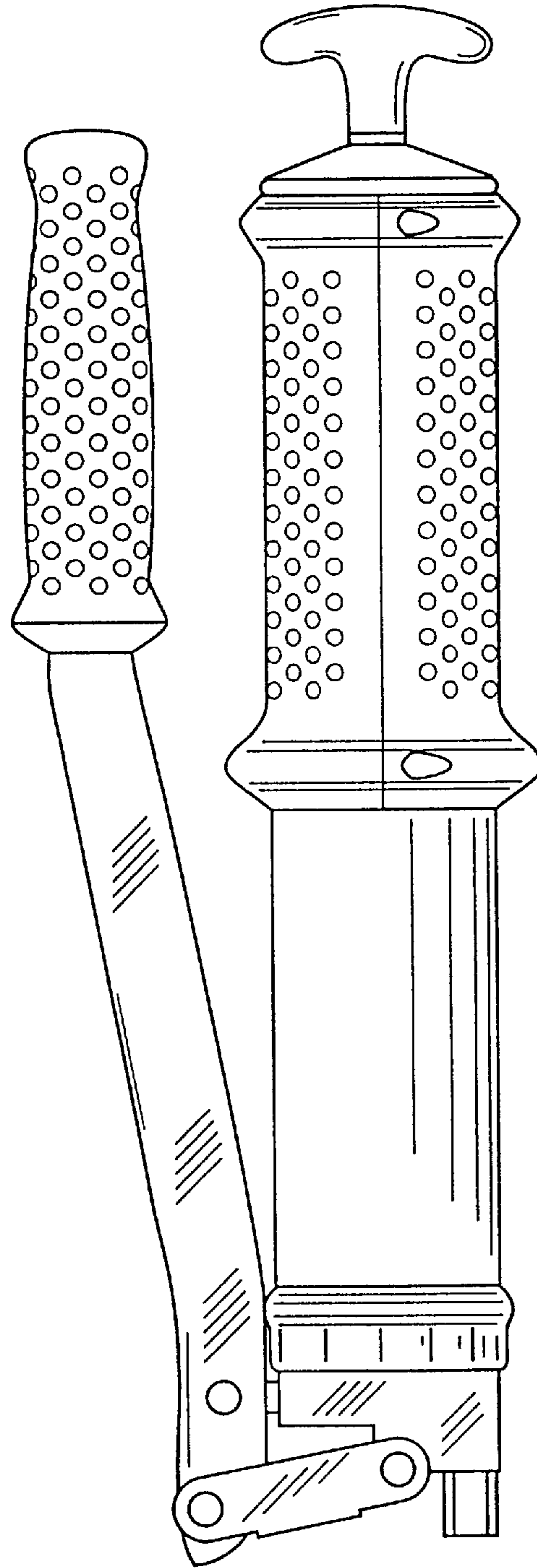


Fig. 2

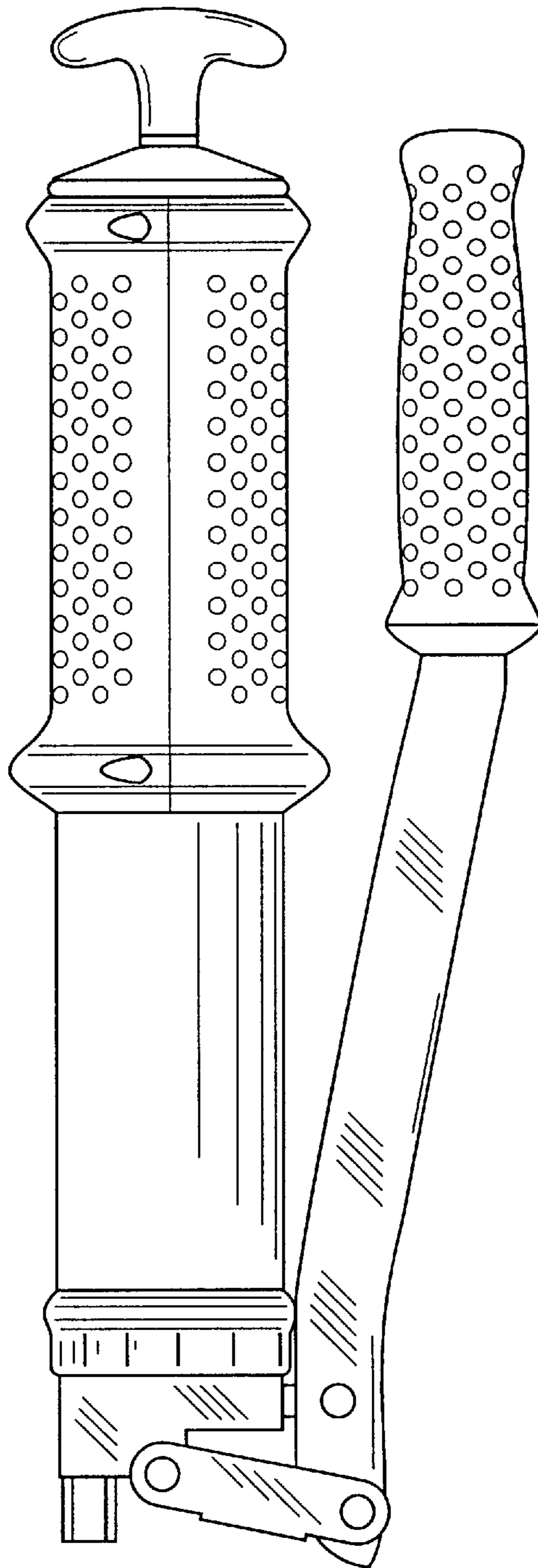


Fig. 3

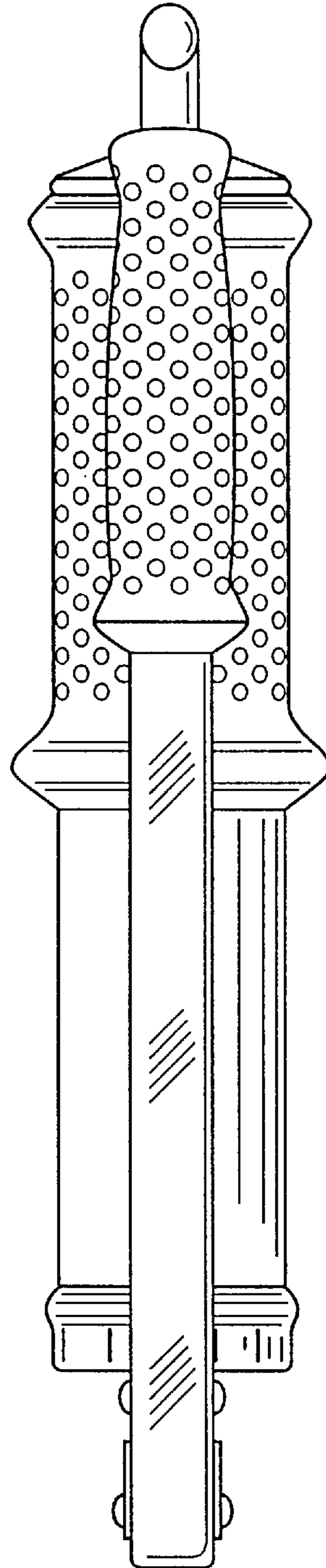


Fig. 4

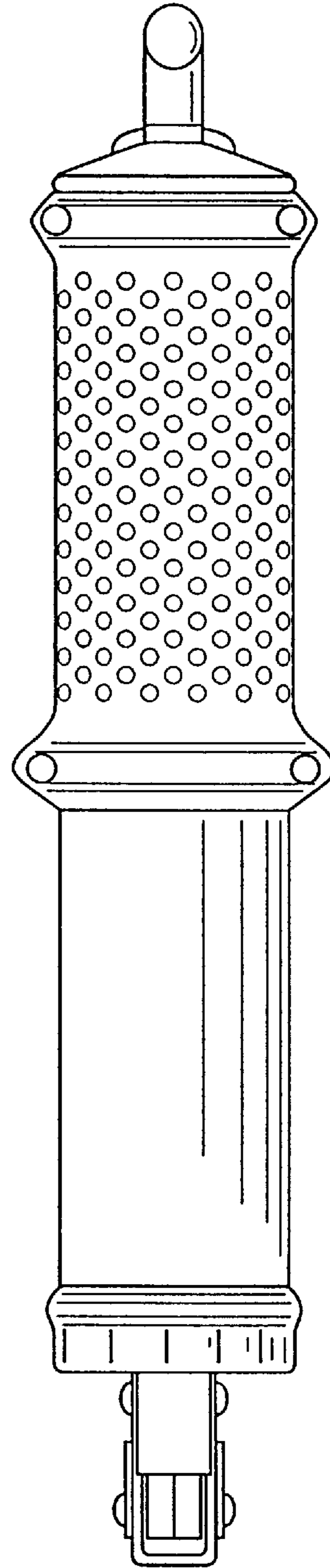


Fig. 5

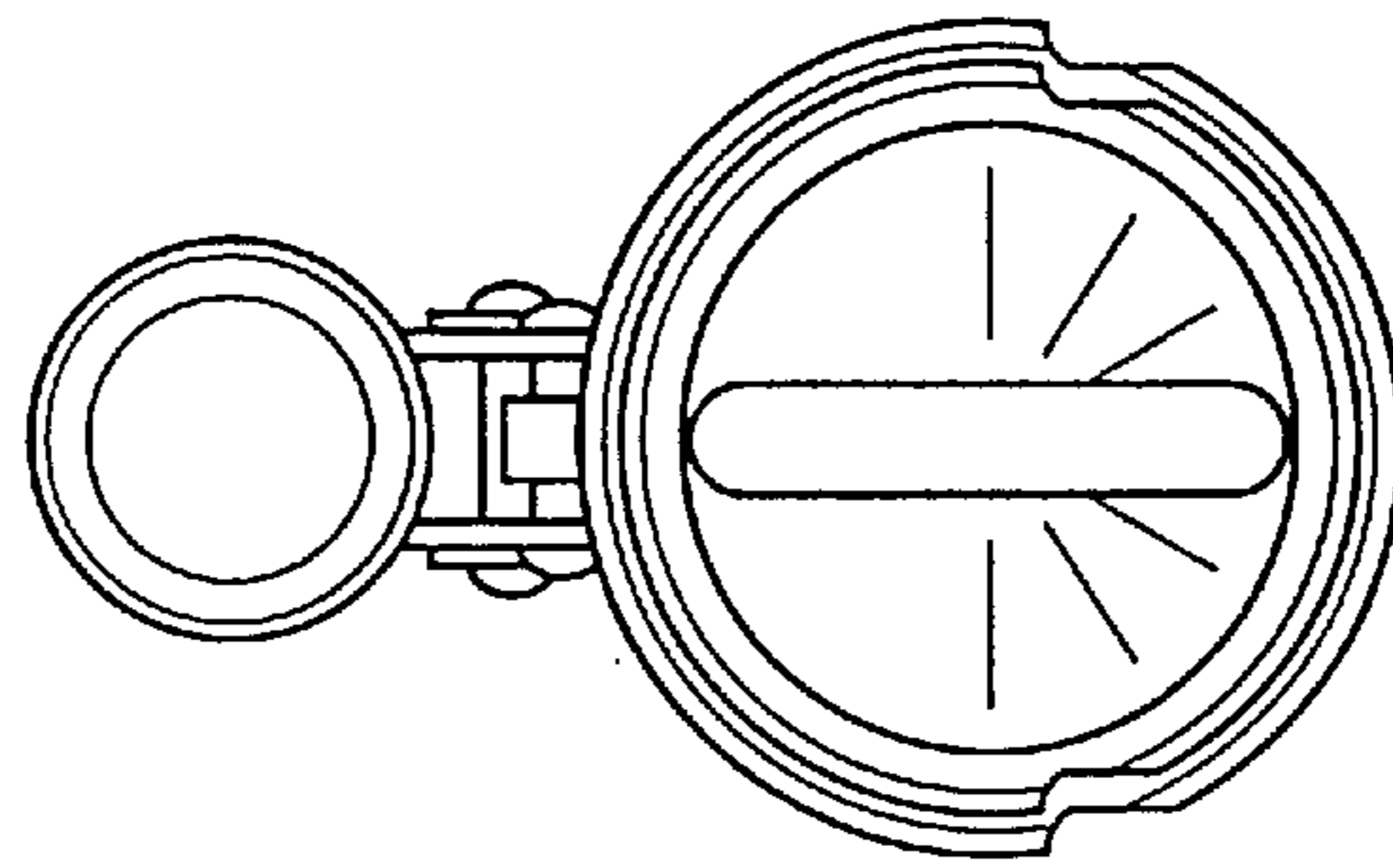


Fig. 6

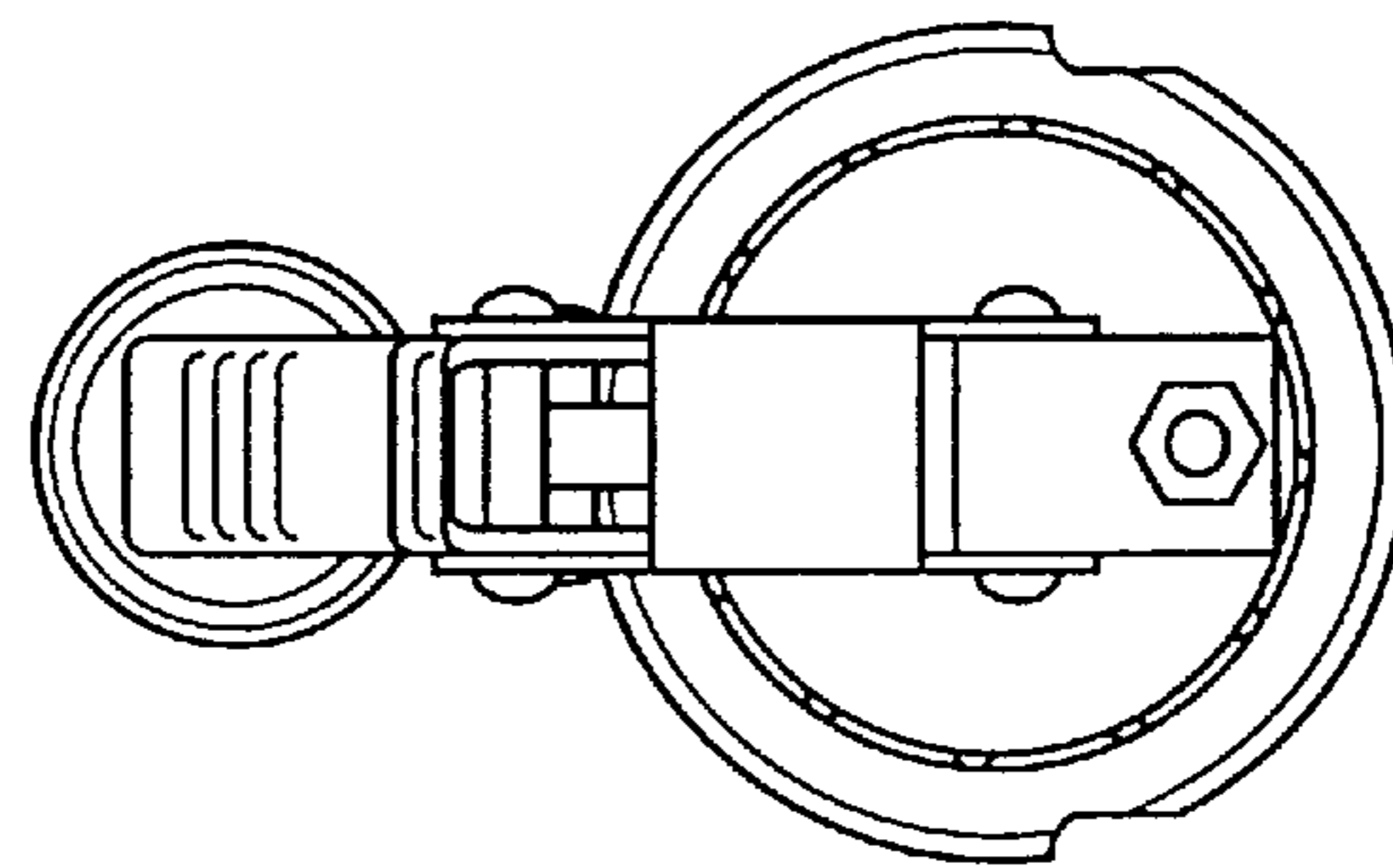


Fig. 7

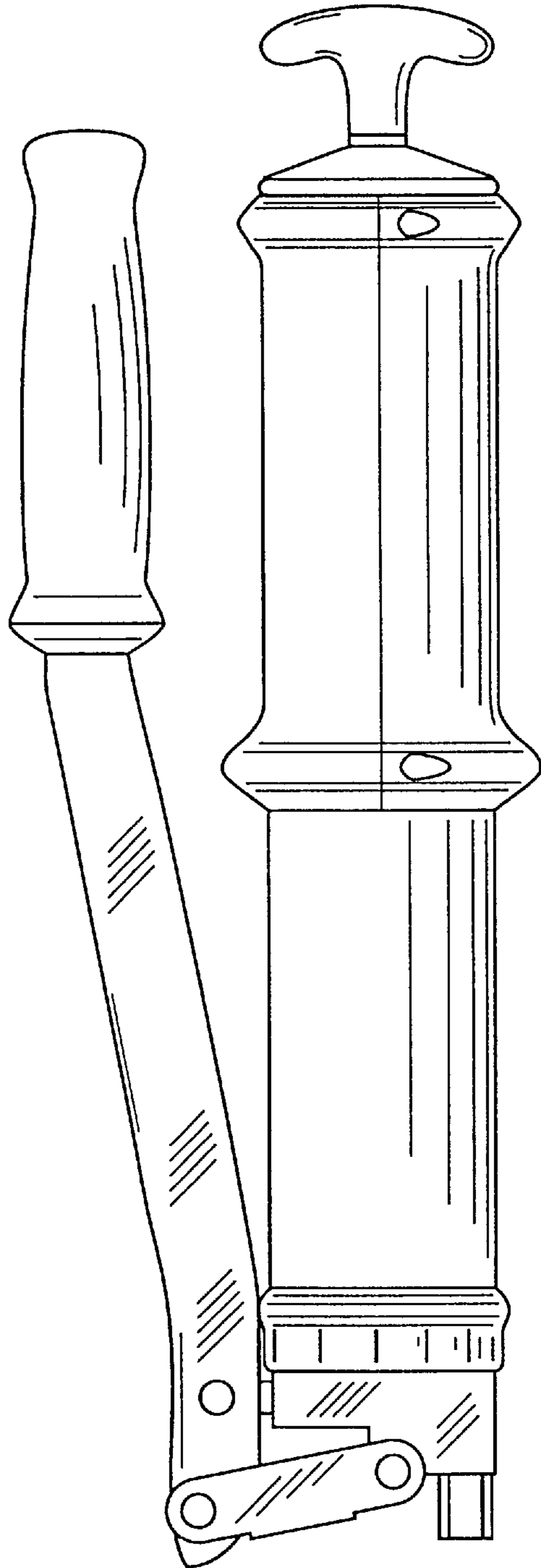


Fig. 8

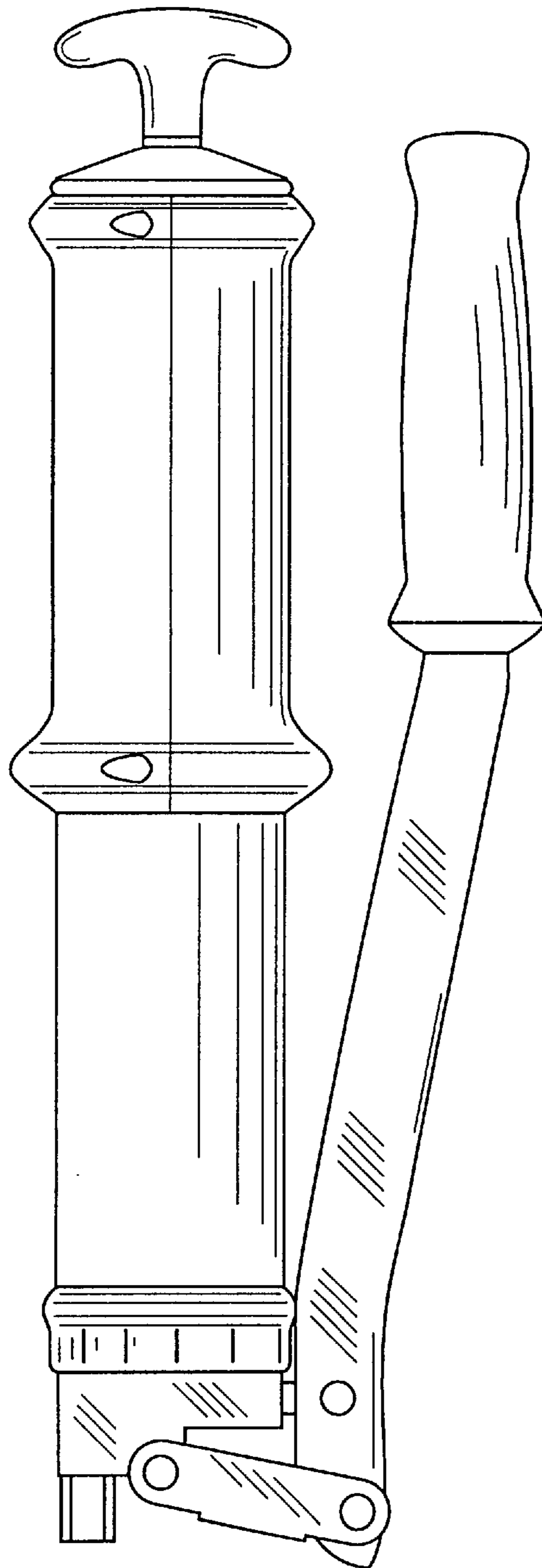


Fig. 9

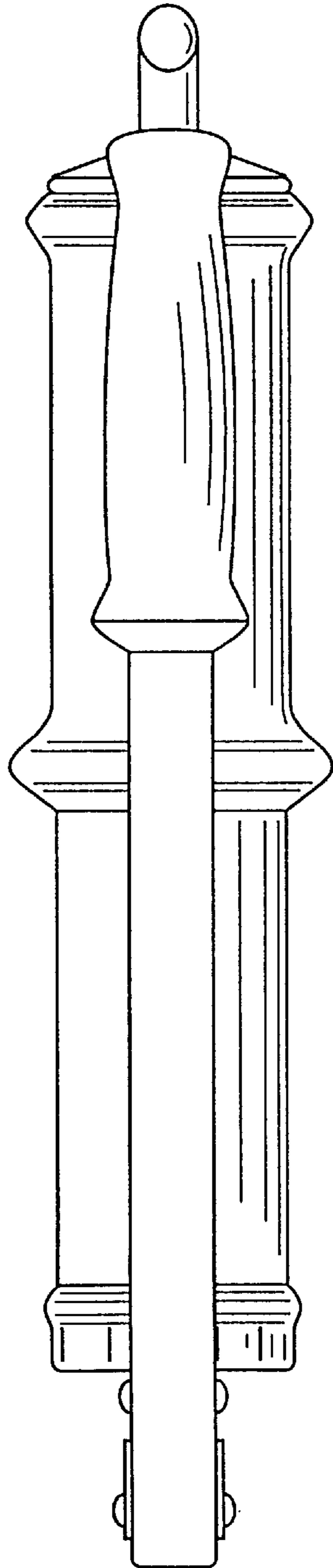


Fig. 10

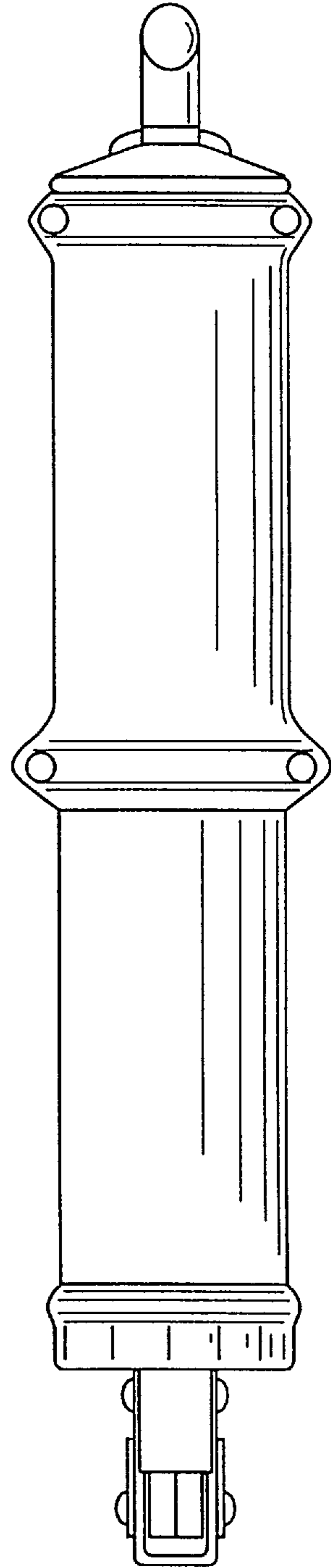


Fig. 11

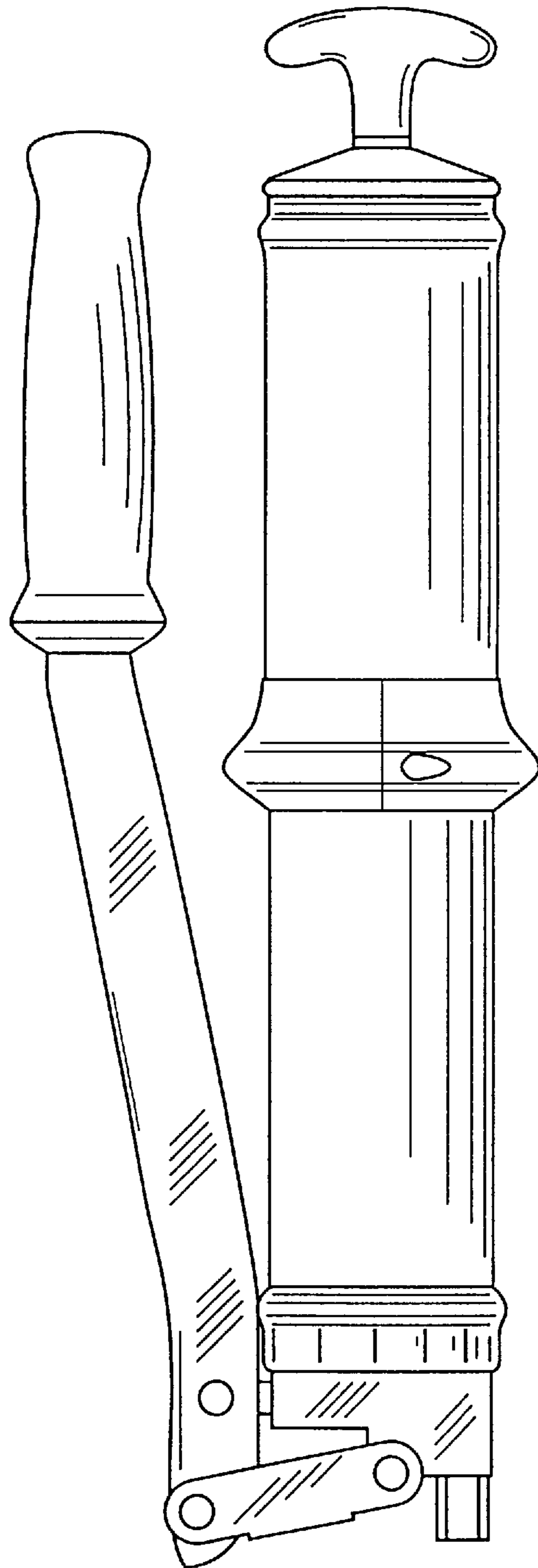


Fig. 12

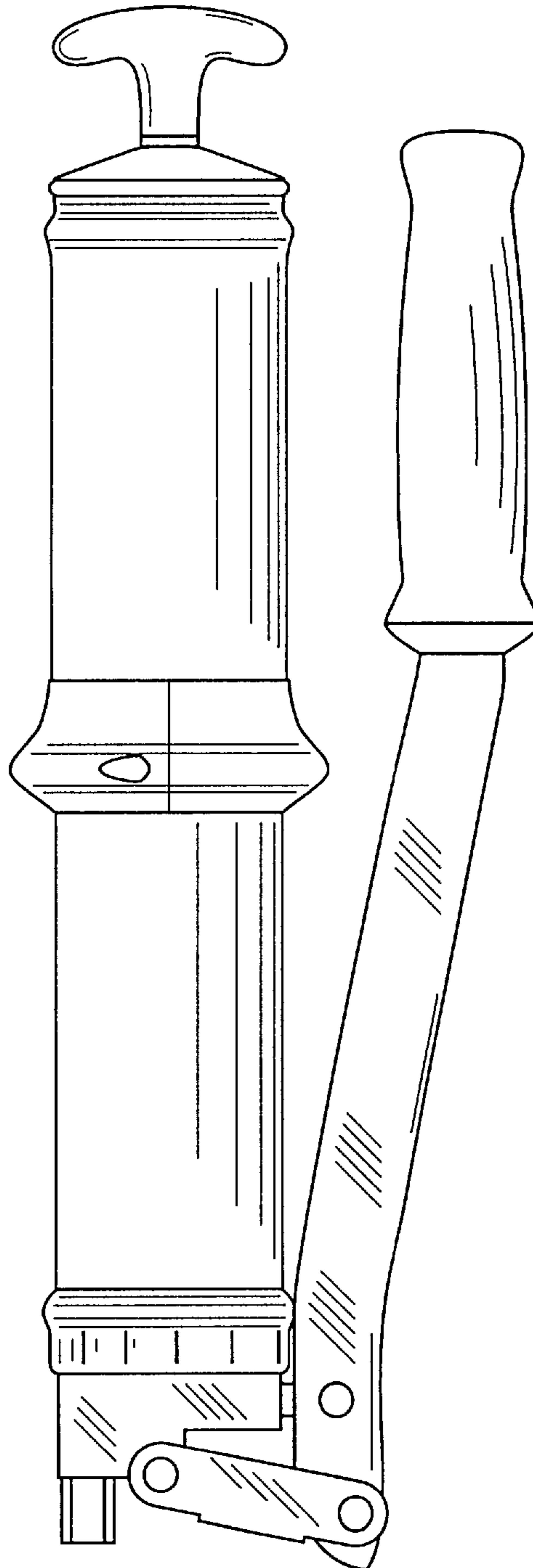


Fig. 13

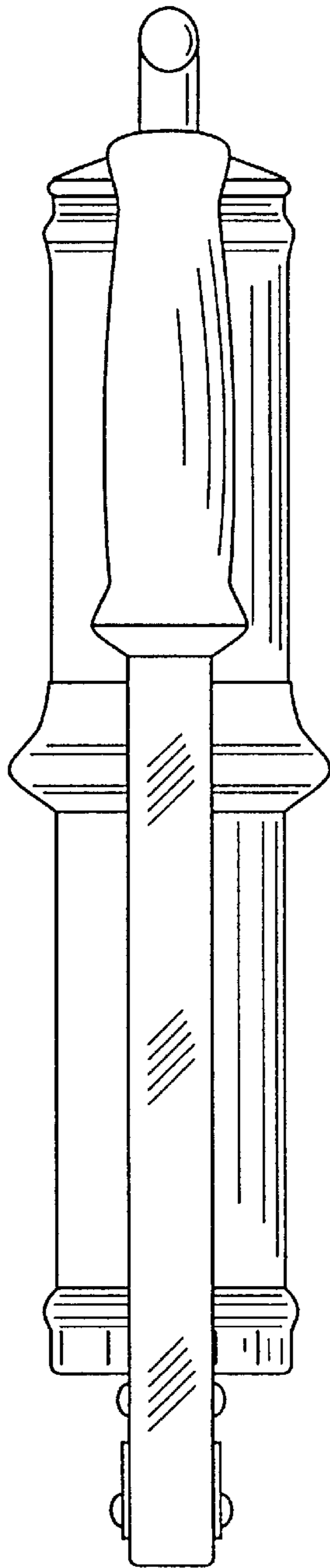


Fig. 14

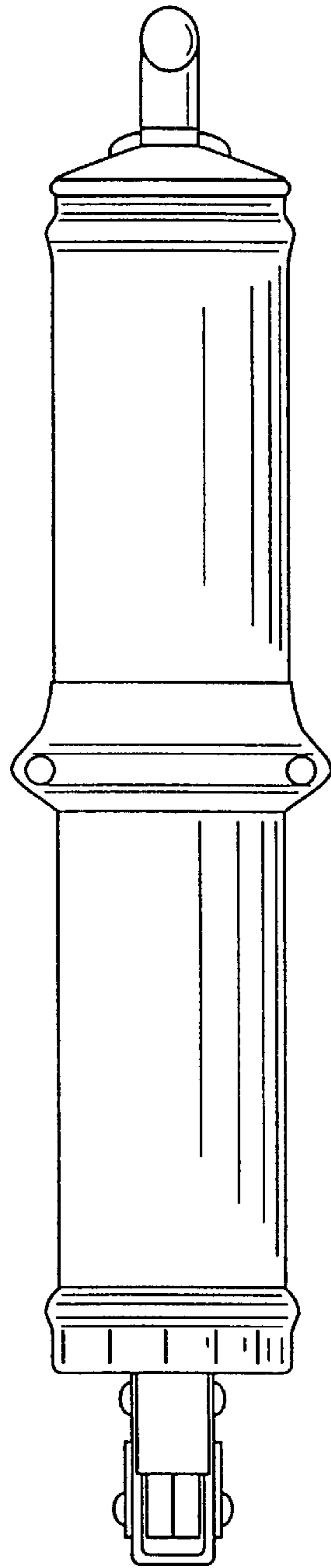


Fig. 15

