



US00D407610S

# United States Patent [19]

Weterrings et al.

[11] Patent Number: **Des. 407,610**

[45] Date of Patent: **\*\*Apr. 6, 1999**

[54] **COMBINED CAROUSEL STORAGE RACK AND CONTAINERS**

[75] Inventors: **Frans M. Weterrings**, Tuscumbia; **E. Stanley Robbins**, Killen; **Rodney W. Robbins**, Florence, all of Ala.

[73] Assignee: **Robbins Industries, Inc.**, Florence, Ala.

[\*\*] Term: **14 Years**

[21] Appl. No.: **82,355**

[22] Filed: **Jan. 21, 1998**

[51] **LOC (6) Cl.** ..... **09-02**

[52] **U.S. Cl.** ..... **D7/614; D7/600**

[58] **Field of Search** ..... D9/428, 429, 337, D9/455, 456, 414, 418; D7/501, 601-615, 701, 705-708, 590-600; 206/216, 579, 315.1, 389, 407; 220/675, 914, 23.83; 229/120.02, 162, 406, 93; 273/241; 222/142.1-142.9; 211/77, 78, 144

[56] **References Cited**

**U.S. PATENT DOCUMENTS**

- D. 208,806 10/1967 Bliss ..... D7/614
- D. 232,341 8/1974 Mudde .
- D. 280,965 10/1985 Prophet, Jr. et al. .... D7/614

- D. 290,573 6/1987 Drummond et al. .
- 1,977,092 10/1934 Scurlock .
- 1,978,695 10/1934 Clark .
- 2,030,899 2/1936 Scurlock .
- 2,110,921 3/1938 Scurlock .
- 2,566,430 9/1951 Sobers .
- 3,794,952 2/1974 Dowis .
- 4,775,055 10/1988 Morse .
- 5,031,779 7/1991 Szenay et al. .
- 5,335,804 8/1994 Flory .
- 5,524,775 6/1996 Kaine .

**FOREIGN PATENT DOCUMENTS**

970253 5/1955 France .

*Primary Examiner*—Terry A. Wallace  
*Attorney, Agent, or Firm*—Whitman Breed Abbott & Morgan LLP; Gregor N. Neff

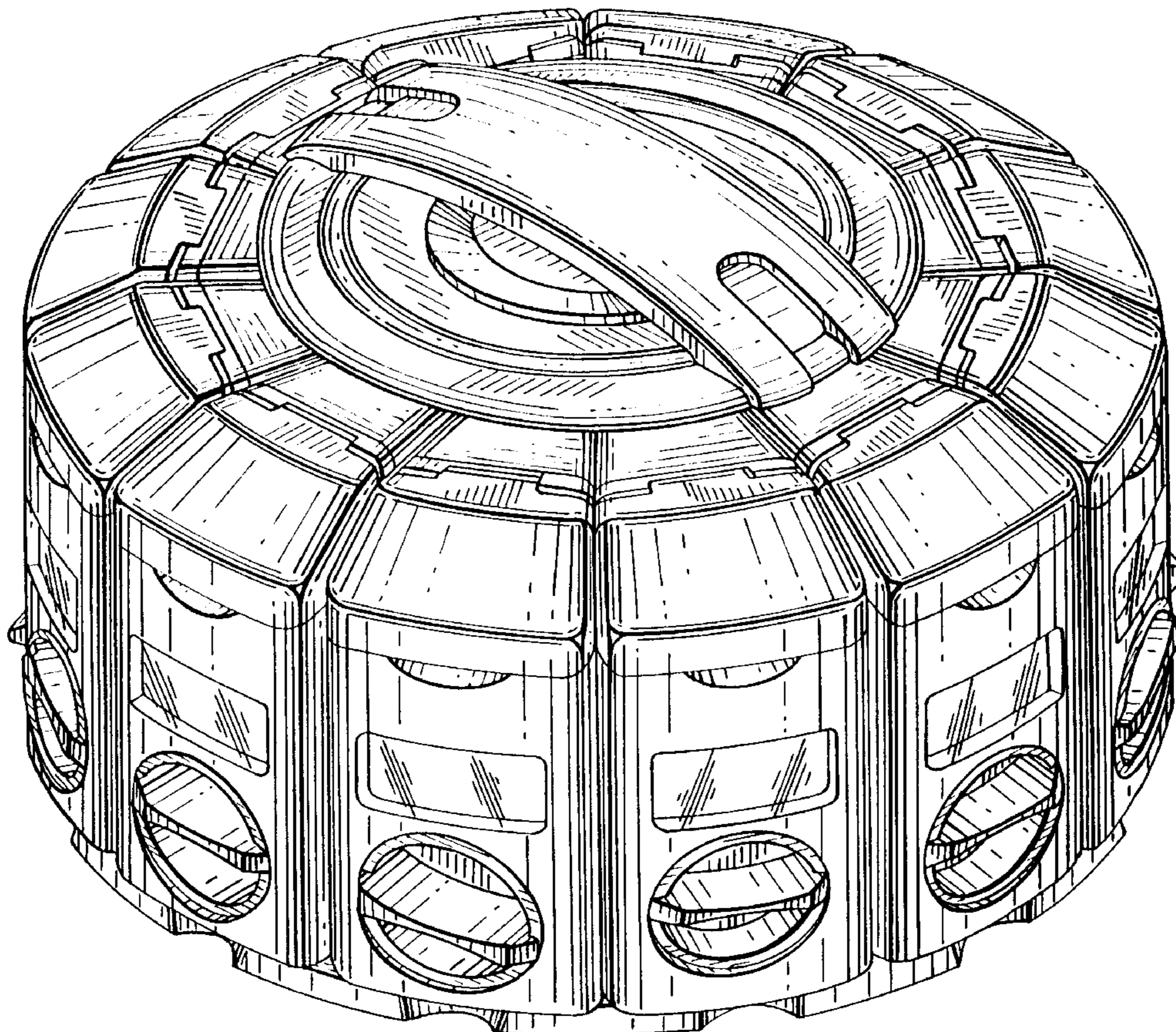
[57] **CLAIM**

The ornamental design for a combined carousel storage rack and containers, as shown and described.

**DESCRIPTION**

FIG. 1 is a perspective view of a combined carousel storage rack and containers showing our new design; FIG. 2 is a top plan view thereof; FIG. 3 is a side elevation view thereof; and, FIG. 4 is a bottom plan view thereof.

**1 Claim, 4 Drawing Sheets**



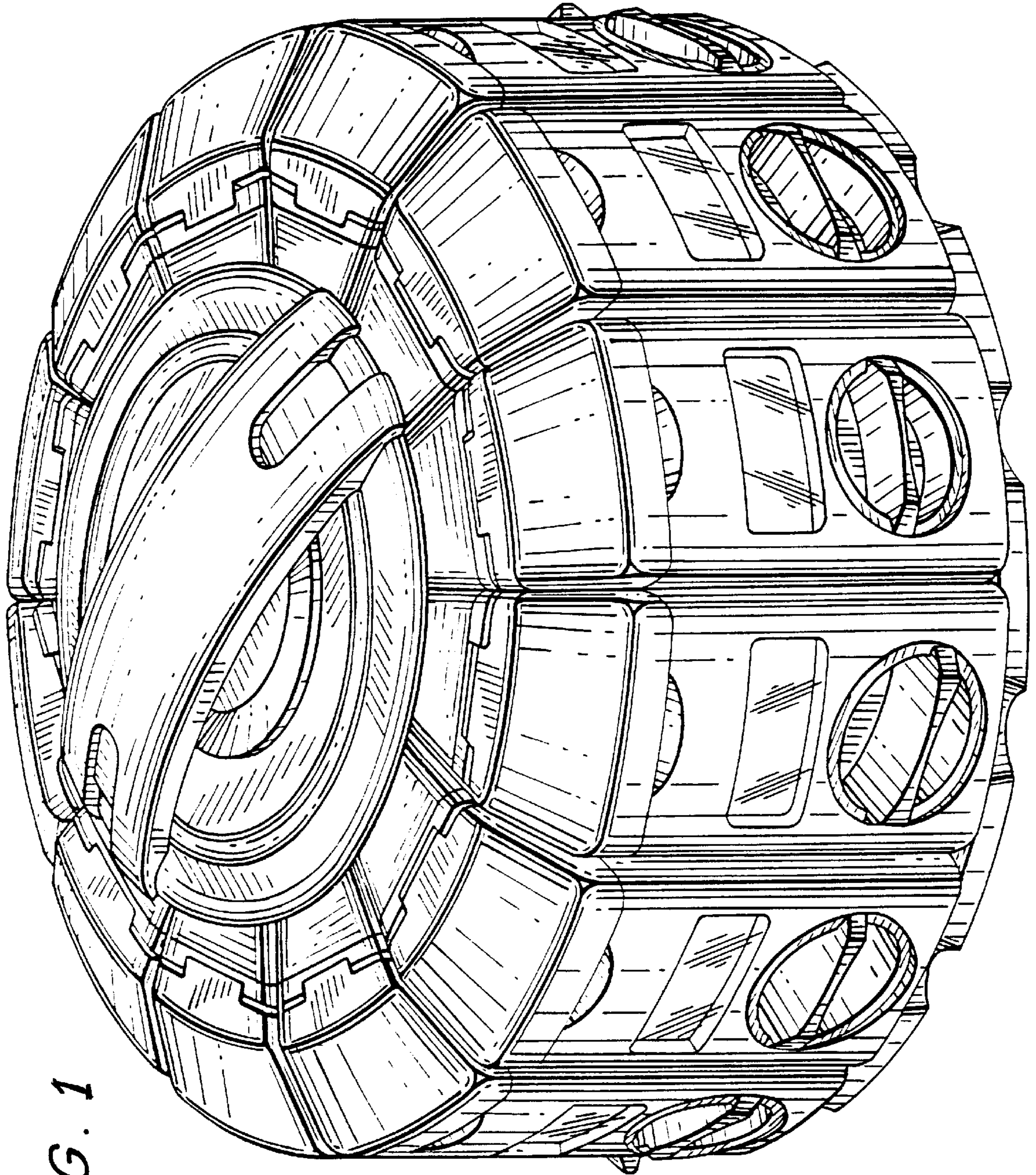
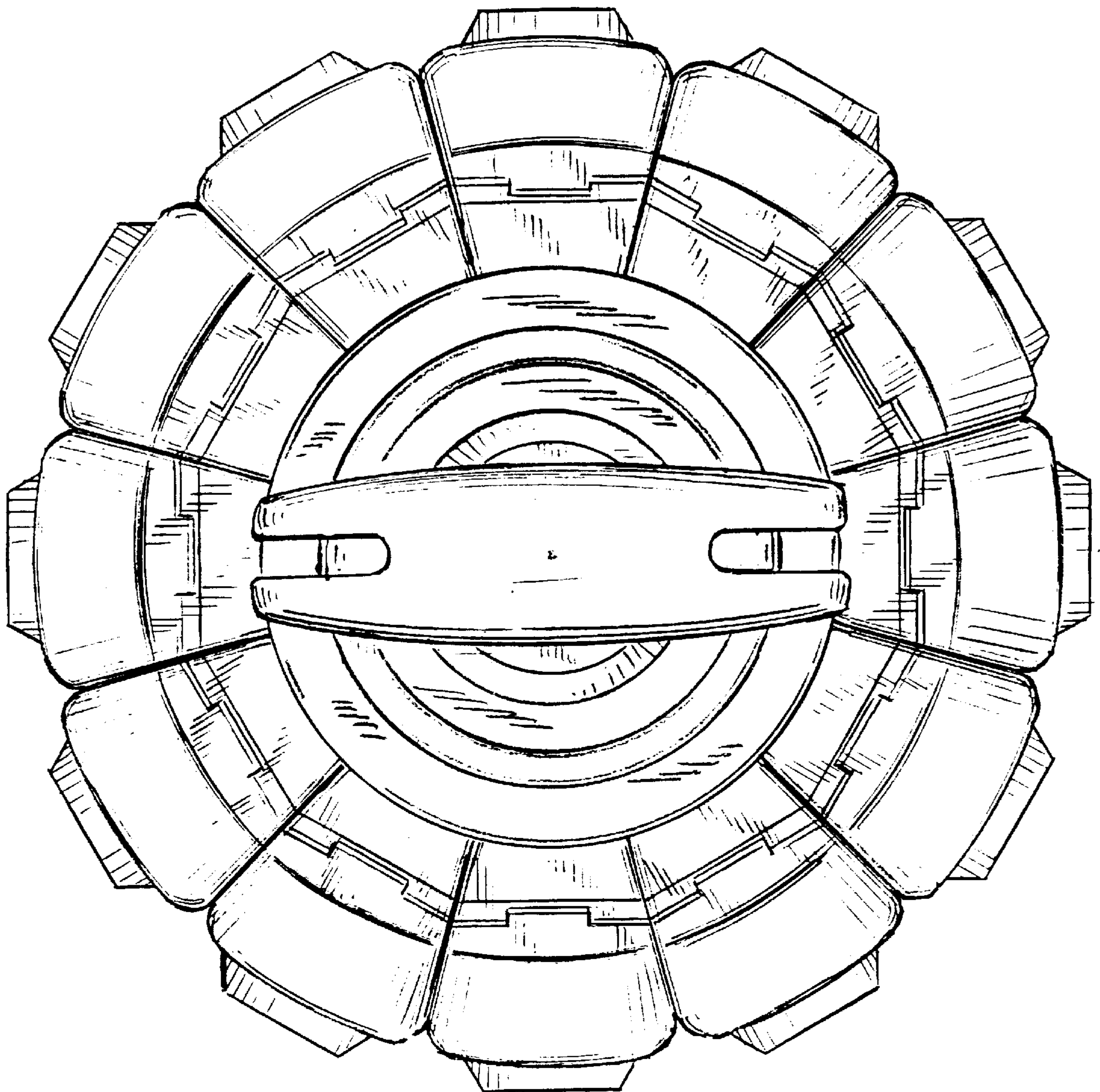
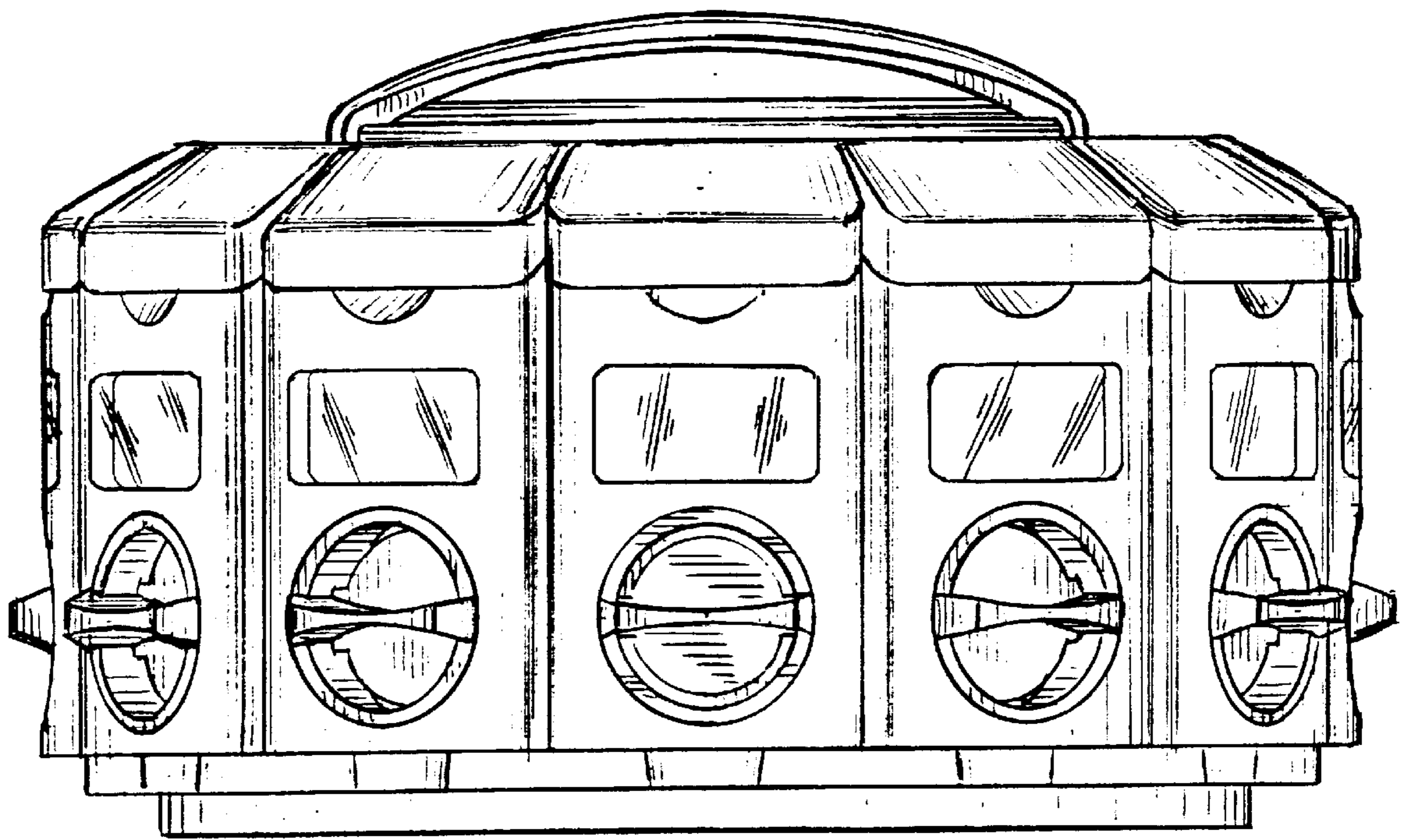


FIG. 1

*FIG. 2*



*FIG. 3*



*FIG. 4*

