



US00D407609S

United States Patent [19] Rausch

[11] **Patent Number: Des. 407,609**

[45] **Date of Patent: **Apr. 6, 1999**

[54] **COOLER**

[75] Inventor: **Kevin Rausch**, Wooster, Ohio

[73] Assignee: **Rubbermaid Incorporated**, Wooster, Ohio

[**] Term: **14 Years**

[21] Appl. No.: **88,523**

[22] Filed: **May 26, 1998**

[51] **LOC (6) Cl.** **07-06**

[52] **U.S. Cl.** **D7/605**

[58] **Field of Search** D7/605-607, 709;
D3/273, 274; D9/424, 425; 62/457.1, 457.7,
371; 220/410, 412

[56] **References Cited**

U.S. PATENT DOCUMENTS

- D. 197,814 3/1964 Piker .
- D. 232,798 9/1974 Roche .
- D. 237,135 10/1975 Wian et al. .
- D. 239,249 3/1976 Branscum .
- D. 244,822 6/1977 Havely et al. .
- D. 247,152 2/1978 Rayfield .
- D. 257,934 1/1981 Buss .
- D. 259,232 5/1981 Tarozzi .
- D. 259,320 5/1981 Tarozzi .
- D. 268,979 5/1983 Ruxton .
- D. 269,398 6/1983 Ruxton .
- D. 283,480 4/1986 Bailey .
- D. 296,065 6/1988 Tarozzi et al. .
- D. 299,406 1/1989 Jacober D7/332
- D. 322,198 12/1991 Dringenburg D7/605
- D. 325,323 4/1992 Kahl D7/605
- D. 325,324 4/1992 Kahl D7/605
- D. 325,853 5/1992 Kahl D7/605
- D. 328,221 7/1992 Piccarillo D7/605
- D. 328,689 8/1992 Riskowski D7/605
- D. 337,232 7/1993 Kahl et al. D7/605
- D. 340,620 10/1993 Peters D7/605
- D. 341,060 11/1993 Litt et al. D7/605
- D. 349,007 7/1994 Costello D7/605
- D. 350,048 8/1994 Kahl et al. D7/605
- D. 350,459 9/1994 Blackwell et al. D7/605

(List continued on next page.)

OTHER PUBLICATIONS

Pp. 10, 11, 13, 15 and 19, Coolers; Igloo Products Corp., 1001 West. Sam Houston Parkway North, P. O. Box 19322, Houston, Texas 77224-9322. Publication date 1985.

P. 27, Coolers; Igloo Products Corp., 1001 West. Sam Houston Parkway North, P. O. Box 19322, Houston, Texas 77224-9322. Publication date Oct. 1, 1994.

Catalog page, Coolers; The Coleman Company, Inc., 250 North. St. Francis, P. O. Box 2931, Wichita, Kansas 67201-2931. Publication date 1988.

Pp. 10 and 11, Coolers; The Coleman Company, Inc., 250 North. St. Francis, P. O. Box 2931, Wichita, Kansas 67201-2931. Publication date 1988.

Pp. 42, 43, 45, 47, 49 and 52, Coolers; The Coleman Company, Inc., 250 North St. Francis, P. O. Box 2931, Wichita, Kansas 67201-2931. Publication date 1994.

Sell sheet, Cooler; Bee Plastics Corp., 2660 North Clybourn Avenue, Chicago, Illinois 60614. Publication date 1975.

Sell sheet, Cooler; Bee Plastics Corp., 2660 North Clybourn Avenue, Chicago, Illinois 60614. Publication date 1975.

Sell sheet, Cooler; Bee Plastics Corp., 2660 North Clybourn Avenue, Chicago, Illinois 60614. Publication date 1975.

Sell sheet, Cooler; Bee Plastics Corp., 2660 North Clybourn Avenue, Chicago, Illinois 60614. Publication date 1975.

(List continued on next page.)

Primary Examiner—Terry A. Wallace
Attorney, Agent, or Firm—Richard B. O’Planick; Timothy A. Nathan

[57] **CLAIM**

The ornamental design for a cooler, as shown and described.

DESCRIPTION

FIG. 1 is a top left front perspective view of a cooler showing my new design;

FIG. 2 is a front elevational view thereof;

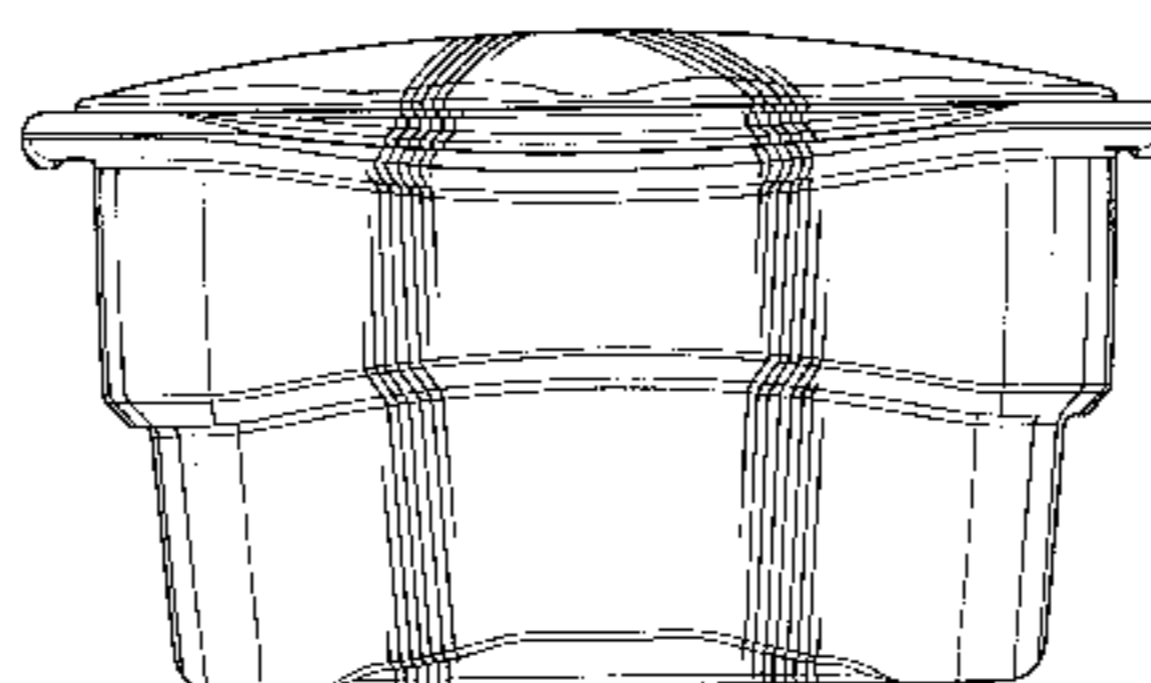
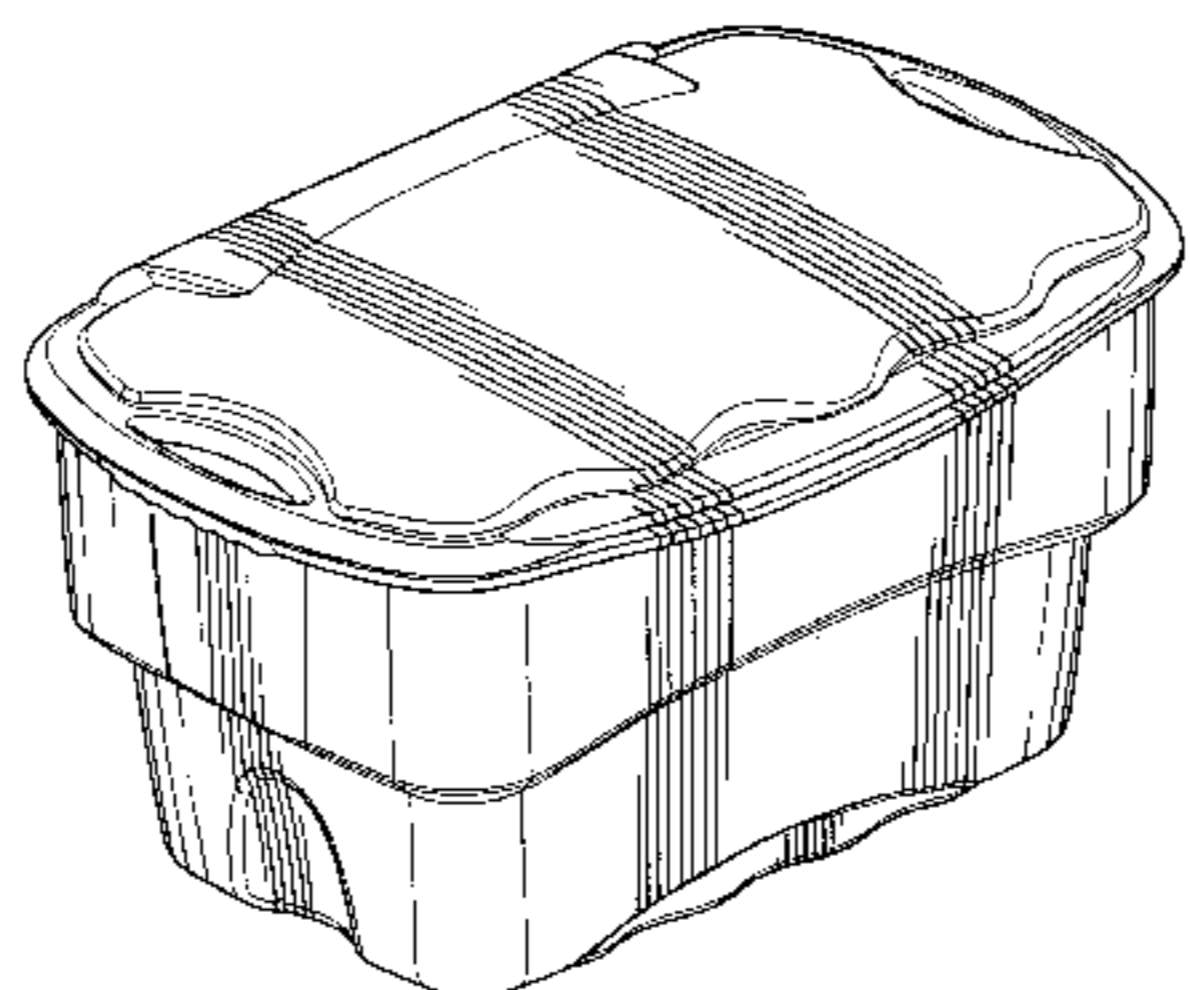
FIG. 3 is a top plan view thereof;

FIG. 4 is a left side elevational view thereof; the right side elevational view being a mirror image;

FIG. 5 is a rear elevational view thereof; and,

FIG. 6 is a bottom plan view thereof.

1 Claim, 3 Drawing Sheets



U.S. PATENT DOCUMENTS

D. 352,208	11/1994	Brookshire	D7/605	4,068,779	1/1978	Canfield	220/94 R
D. 352,420	11/1994	Costello	D7/350	4,351,165	9/1982	Gottsegen et al.	62/371
D. 353,305	12/1994	Miller	D7/605	4,592,482	6/1986	Seager	220/318
D. 354,419	1/1995	Kahl	D7/605	4,648,512	3/1987	Tarozzi et al.	206/542
D. 366,599	1/1996	Brown et al.	D7/605	4,696,412	9/1987	McGowan	220/335
D. 369,722	5/1996	Lopez, Jr. et al.	D7/605	4,873,841	10/1989	Branshaw et al.	62/239
D. 370,159	5/1996	Fenton et al.	D7/605	5,373,708	12/1994	Dumoulin, Jr.	62/457.7
D. 375,022	10/1996	Smith	D7/605	5,683,097	11/1997	Fenton et al.	280/655.1
D. 386,649	11/1997	Arnfelt	D7/606				
D. 387,626	12/1997	Melk	D7/605				
3,057,508	10/1962	Kimbrough, Jr.	220/55.7				
3,232,491	2/1966	Hunt	222/154				
3,791,547	2/1974	Branscum	220/17				
3,987,829	10/1976	Leone .					
4,024,731	5/1977	Branscum	62/457				

OTHER PUBLICATIONS

Pp. 6 and 7, Coolers; Artic Products Inc., P. O. Box 140, Linn, Missouri 65051. Publication date 1987.

Pp. 10, 11, 12 and 13, Coolers; Rubbermaid Specialty Products Inc., 1147 Akron Road, Wooster, Ohio 44691. Publication date 1991.

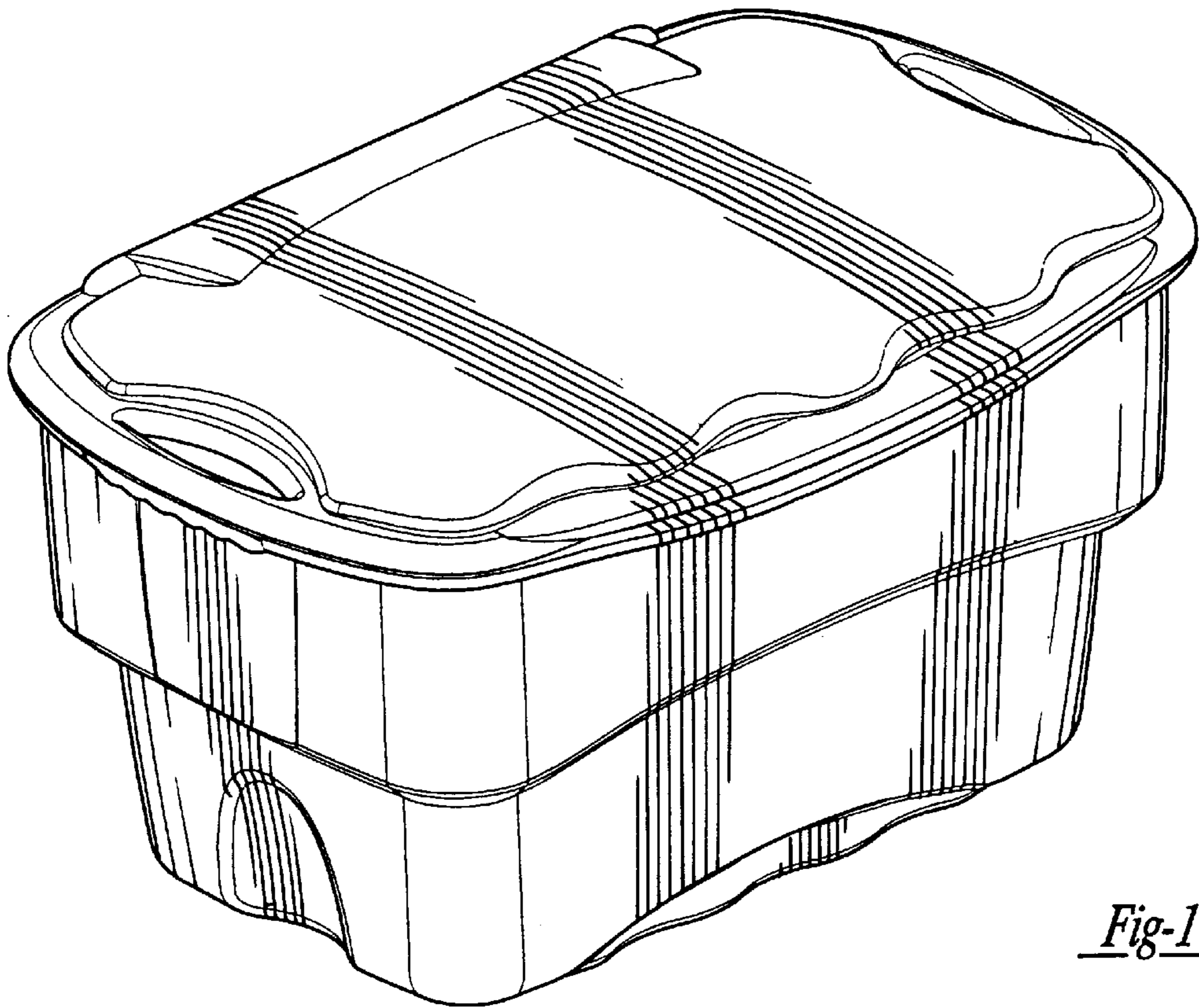


Fig-1

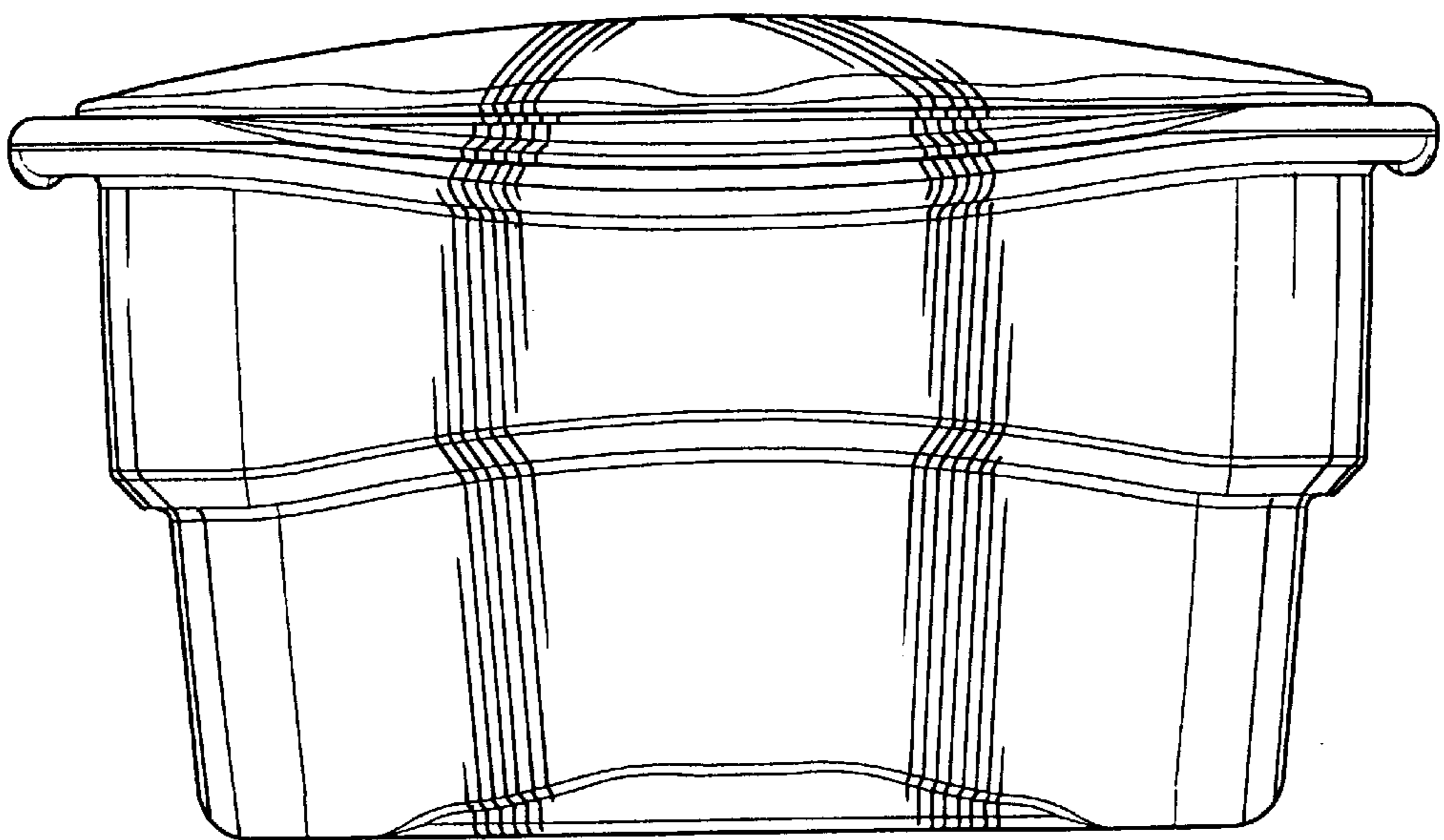


Fig-2

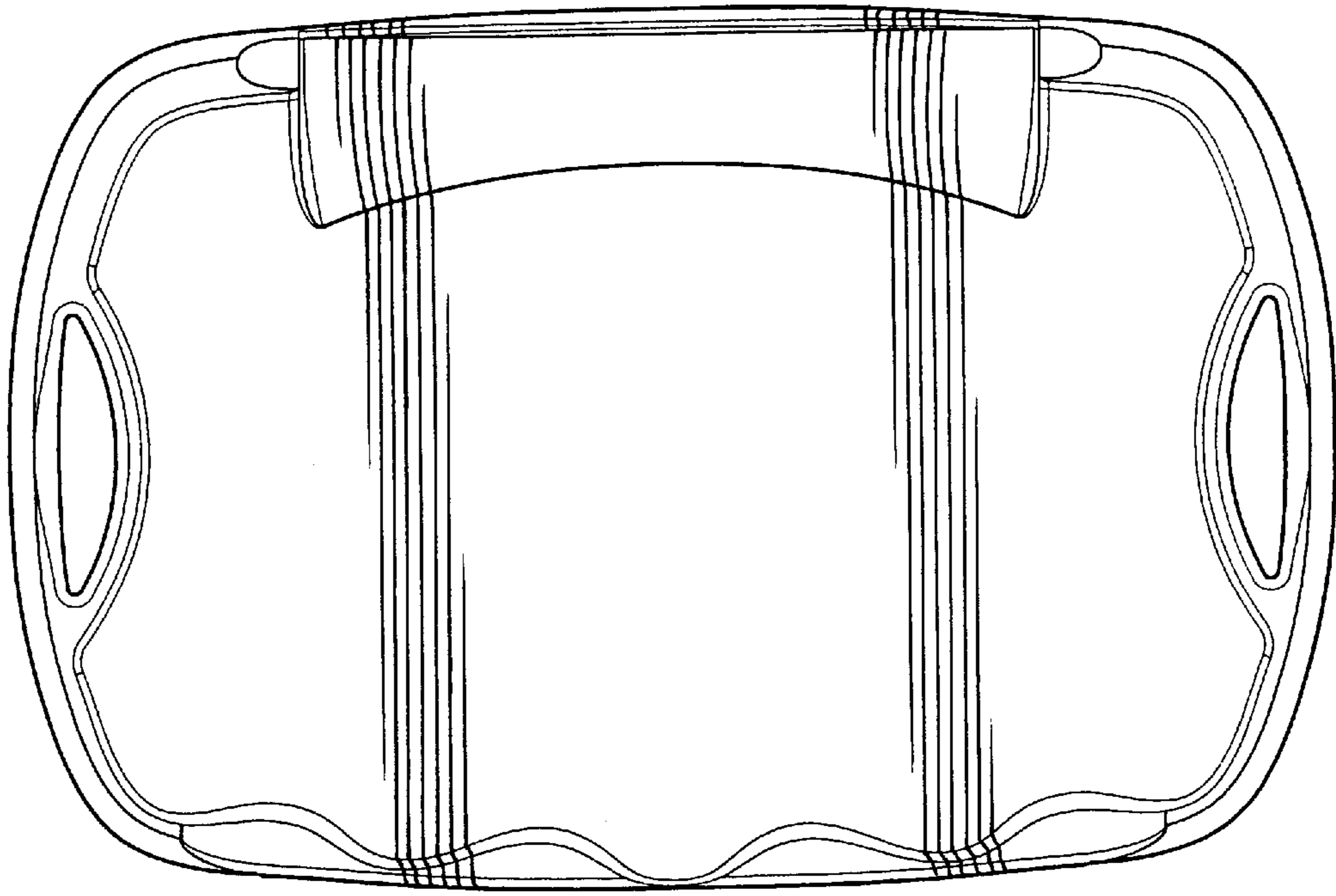


Fig-3

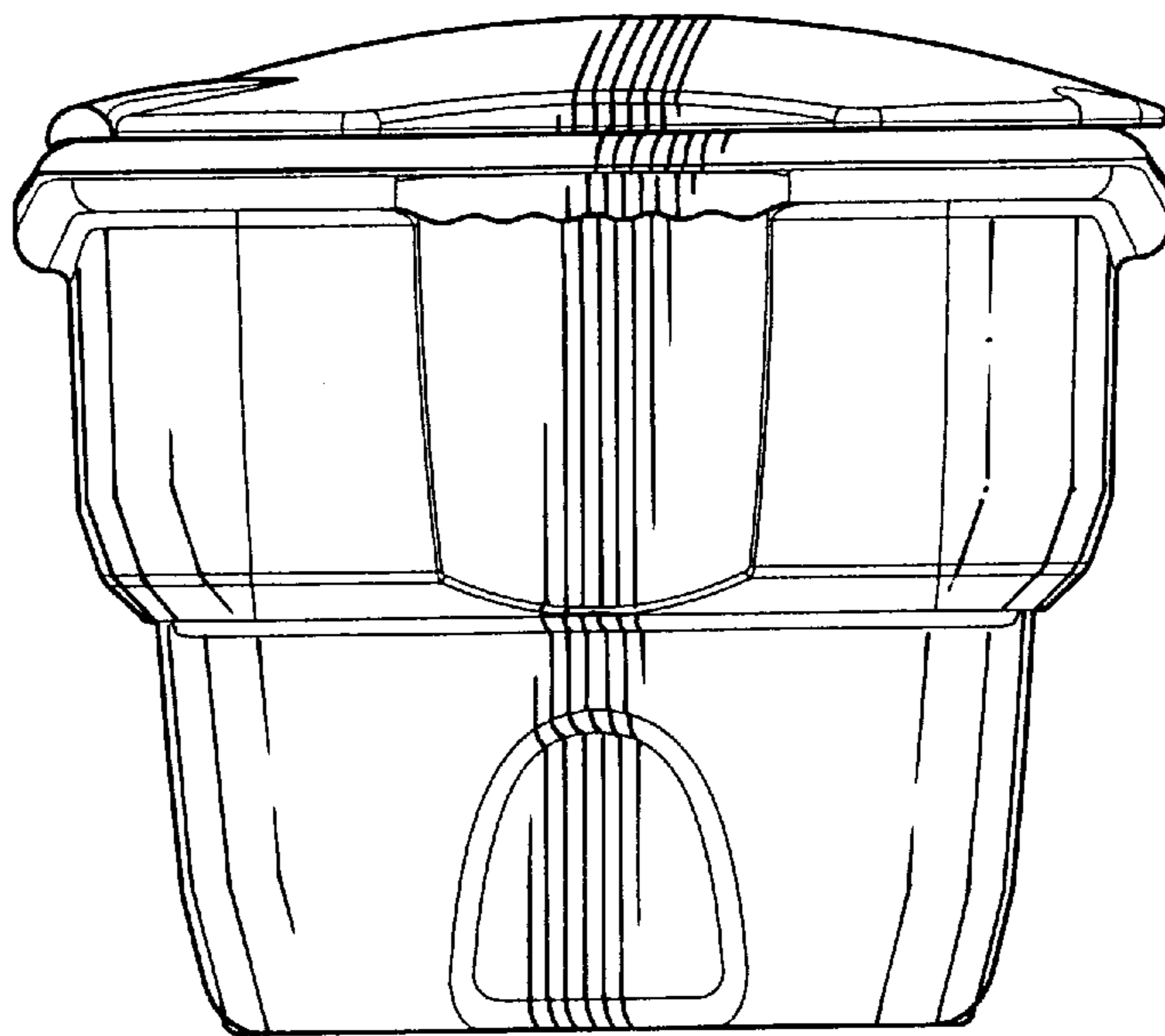


Fig-4

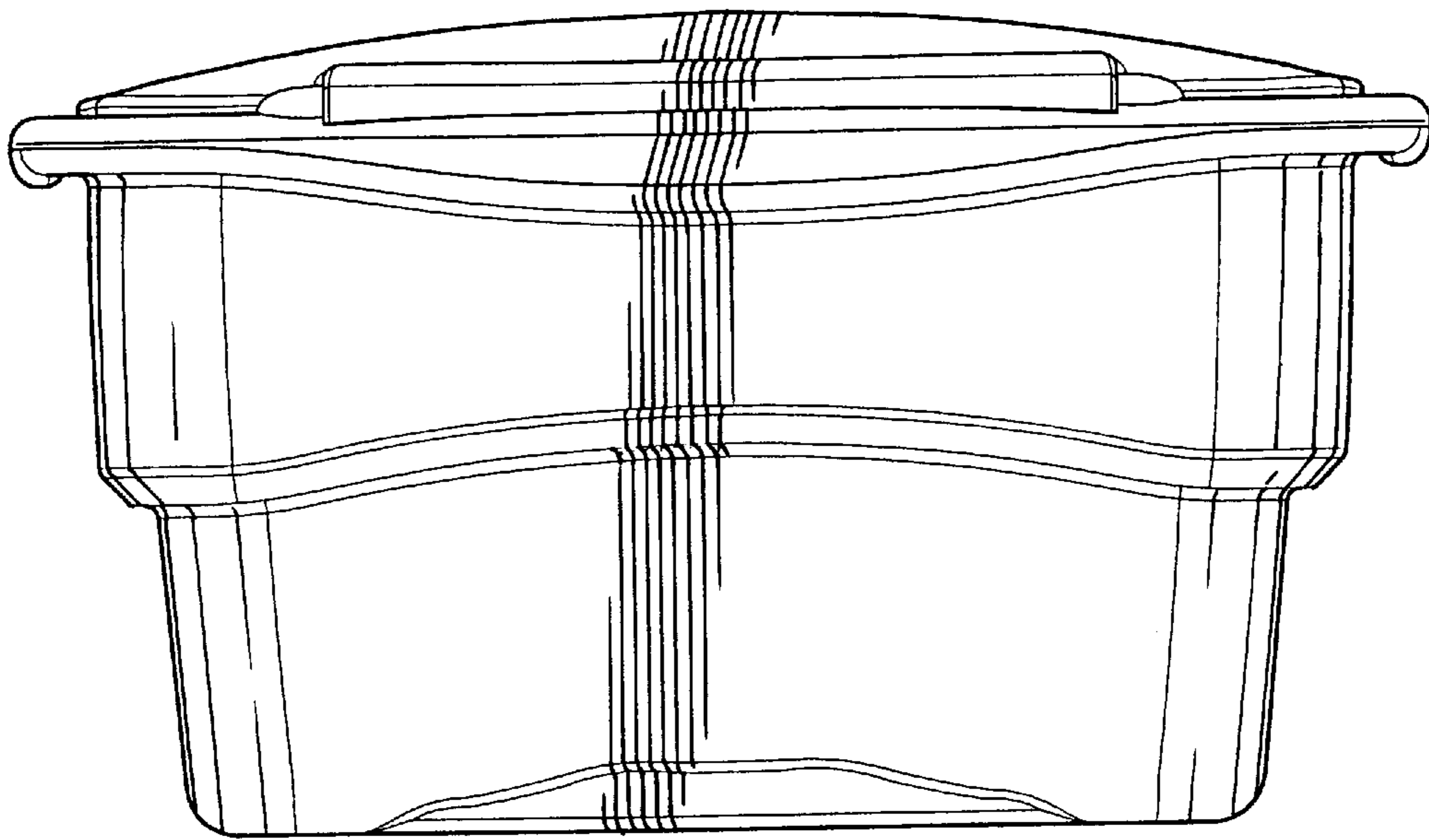


Fig-5

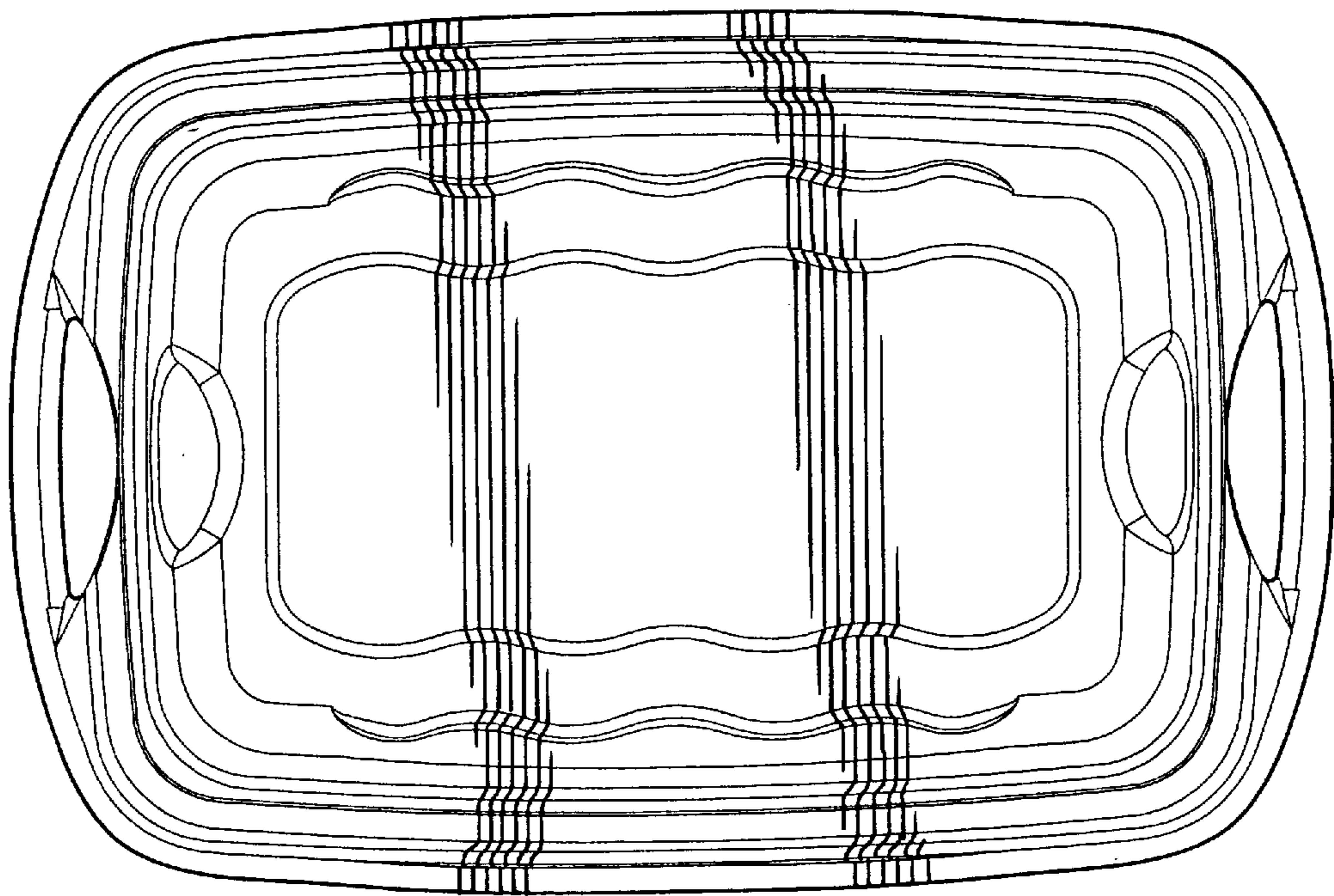


Fig-6