



US00D407606S

United States Patent [19] Carrere

[11] **Patent Number: Des. 407,606**

[45] **Date of Patent: **Apr. 6, 1999**

[54] **CHAMPAGNE/ICE BUCKET**

D. 279,533 7/1985 Gildart D7/603
2,839,209 6/1958 Lester et al. 215/13.1

[75] Inventor: **Eric Carrere**, Lyons, France

Primary Examiner—Terry A. Wallace
Attorney, Agent, or Firm—Pillsbury Madison & Sutro

[73] Assignee: **SEB**, Selongey, France

[**] Term: **14 Years**

[57] **CLAIM**

[21] Appl. No.: **91,113**

The ornamental design for a champagne/ice bucket, as shown and described.

[22] Filed: **Jul. 23, 1998**

DESCRIPTION

[30] **Foreign Application Priority Data**

Jan. 29, 1998 [FR] France 98 0614

FIG. 1 is a front elevational view of a champagne/ice bucket showing my new design;

[51] **LOC (6) Cl.** **07-06**

FIG. 2 is a left side elevational view thereof;

[52] **U.S. Cl.** **D7/603**

FIG. 3 is a top plan view thereof;

[58] **Field of Search** D7/603, 604, 539-548;
62/457.1, 457.8, 371; 220/737, 739, 410-412;
215/13.1

FIG. 4 is a bottom plan view thereof; and,

FIG. 5 is a perspective view thereof, seen from above and to the right.

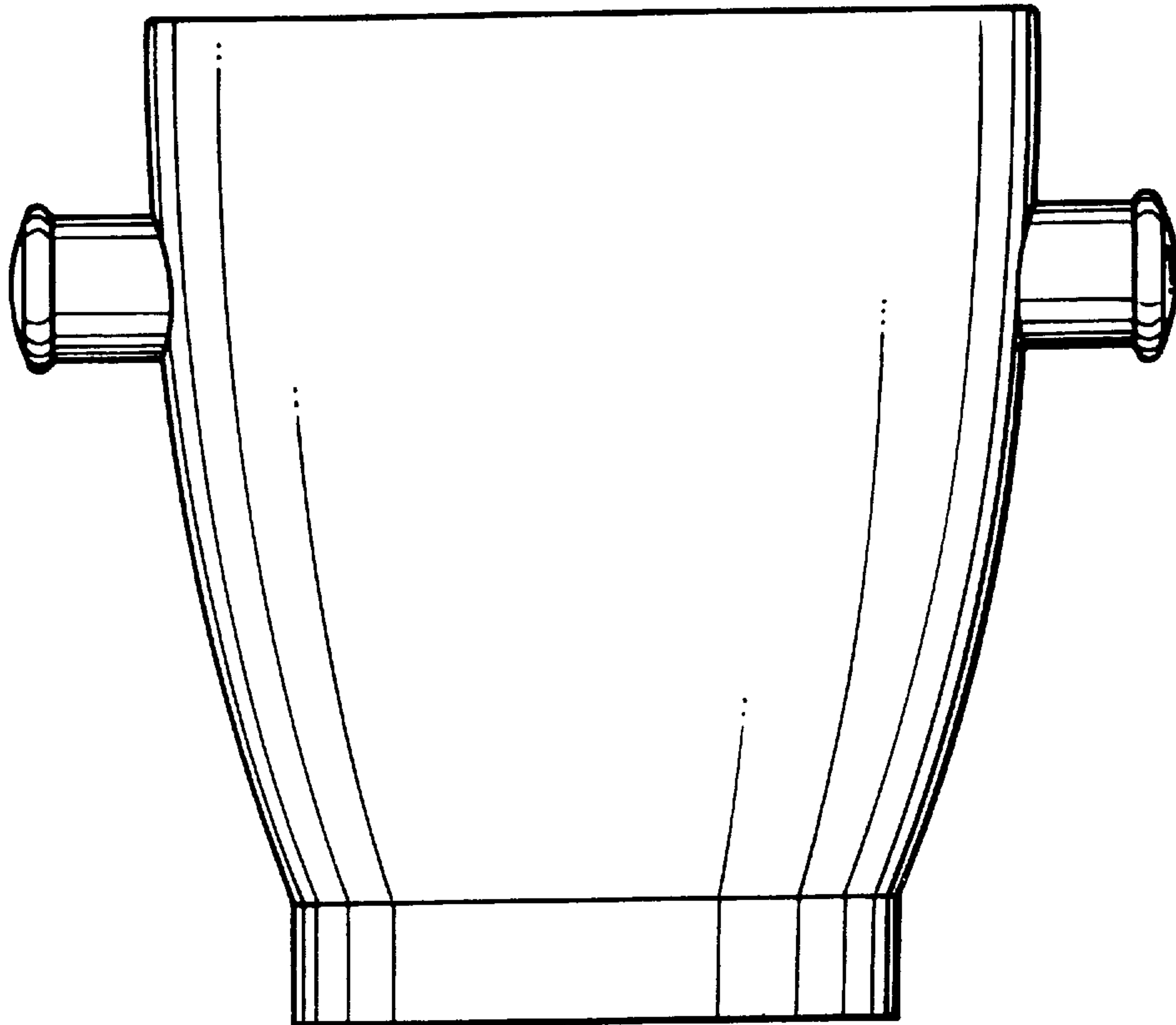
[56] **References Cited**

A rear elevational view of the ice bucket would be mirror symmetrical to the front elevational view of FIG. 1. A right side elevational view of the ice bucket would be mirror symmetrical to the left side elevational view of FIG. 2.

U.S. PATENT DOCUMENTS

D. 189,864 3/1961 Bloomfield D7/603

1 Claim, 5 Drawing Sheets



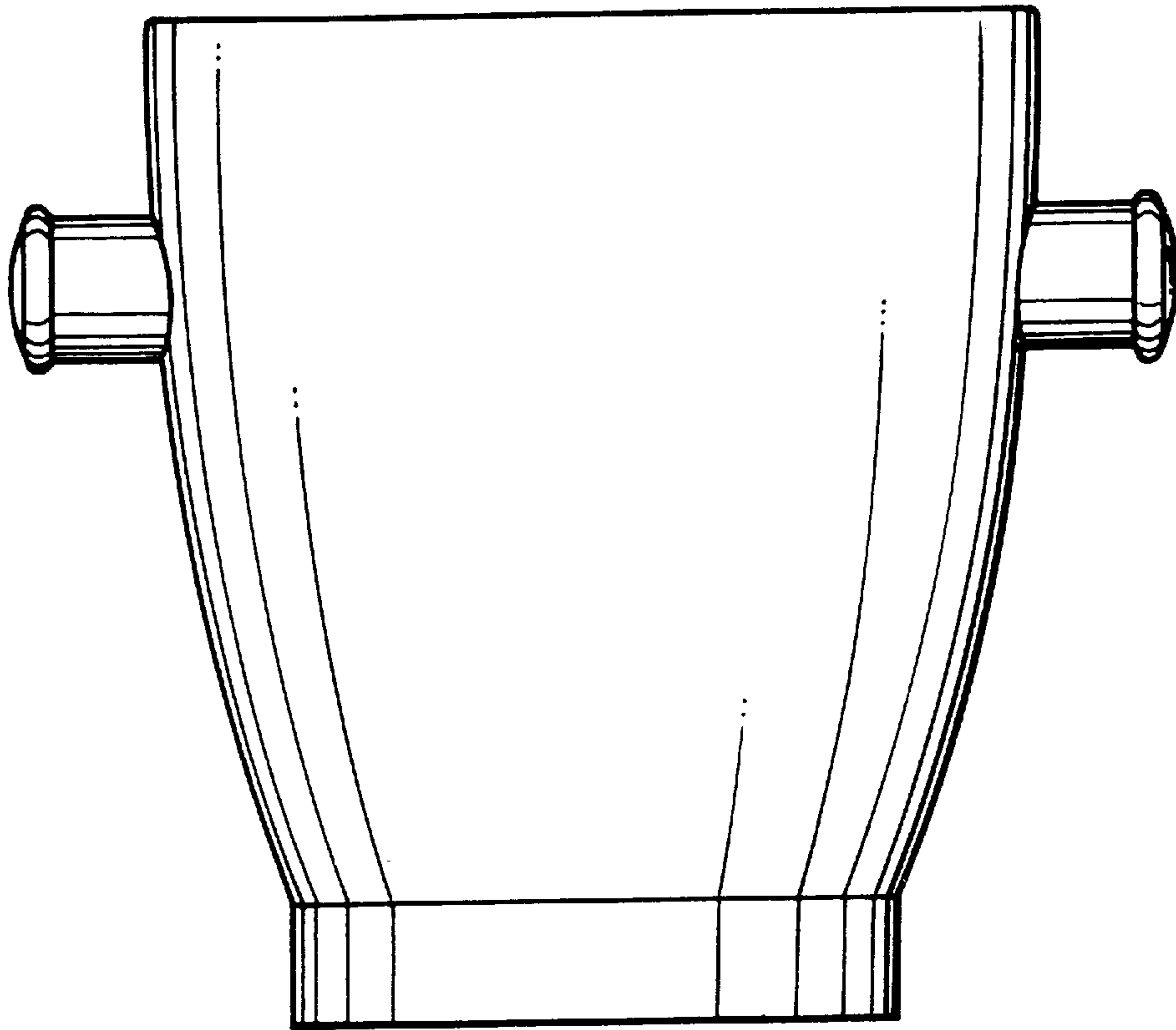


FIG. 1

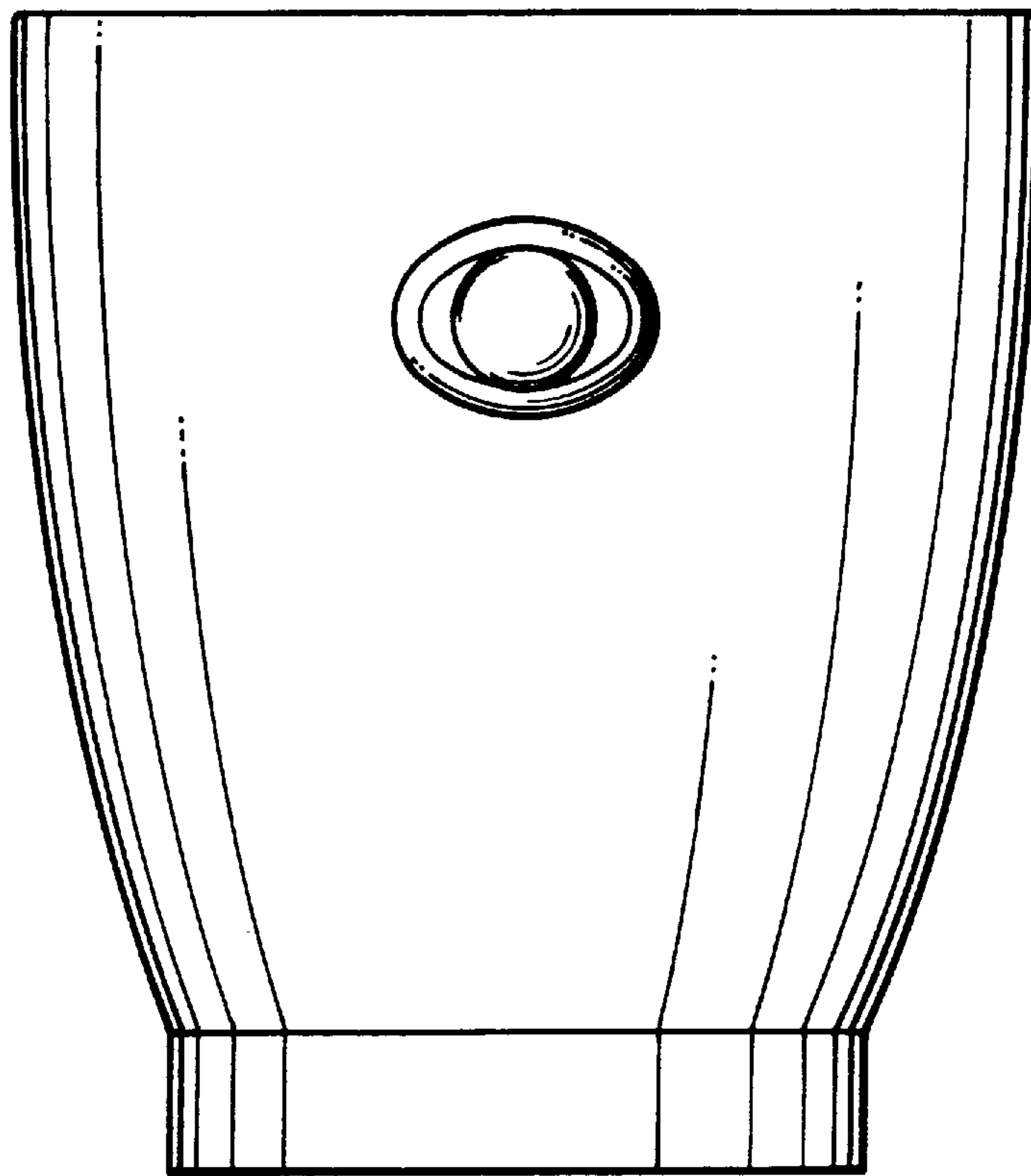


FIG. 2

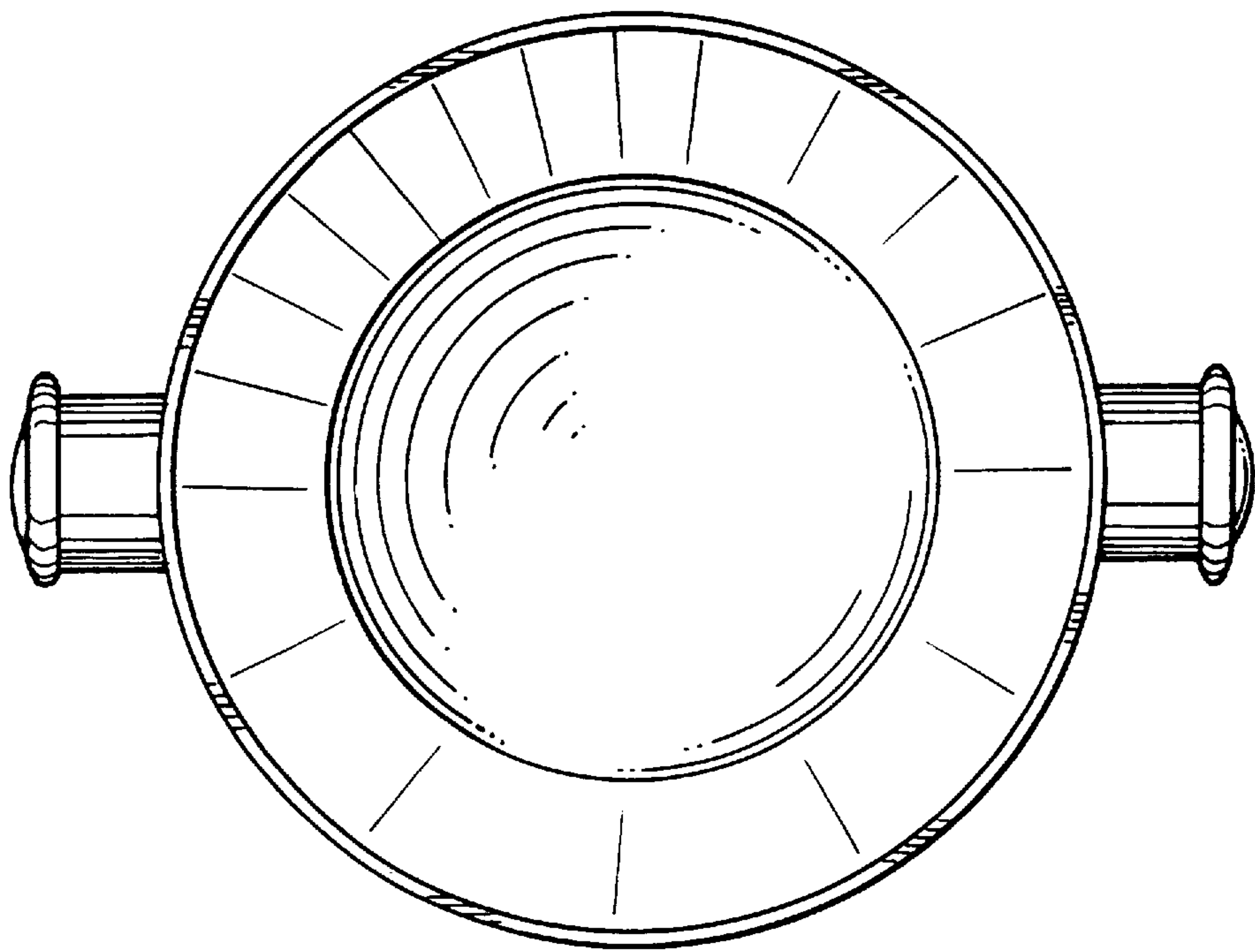


FIG. 3

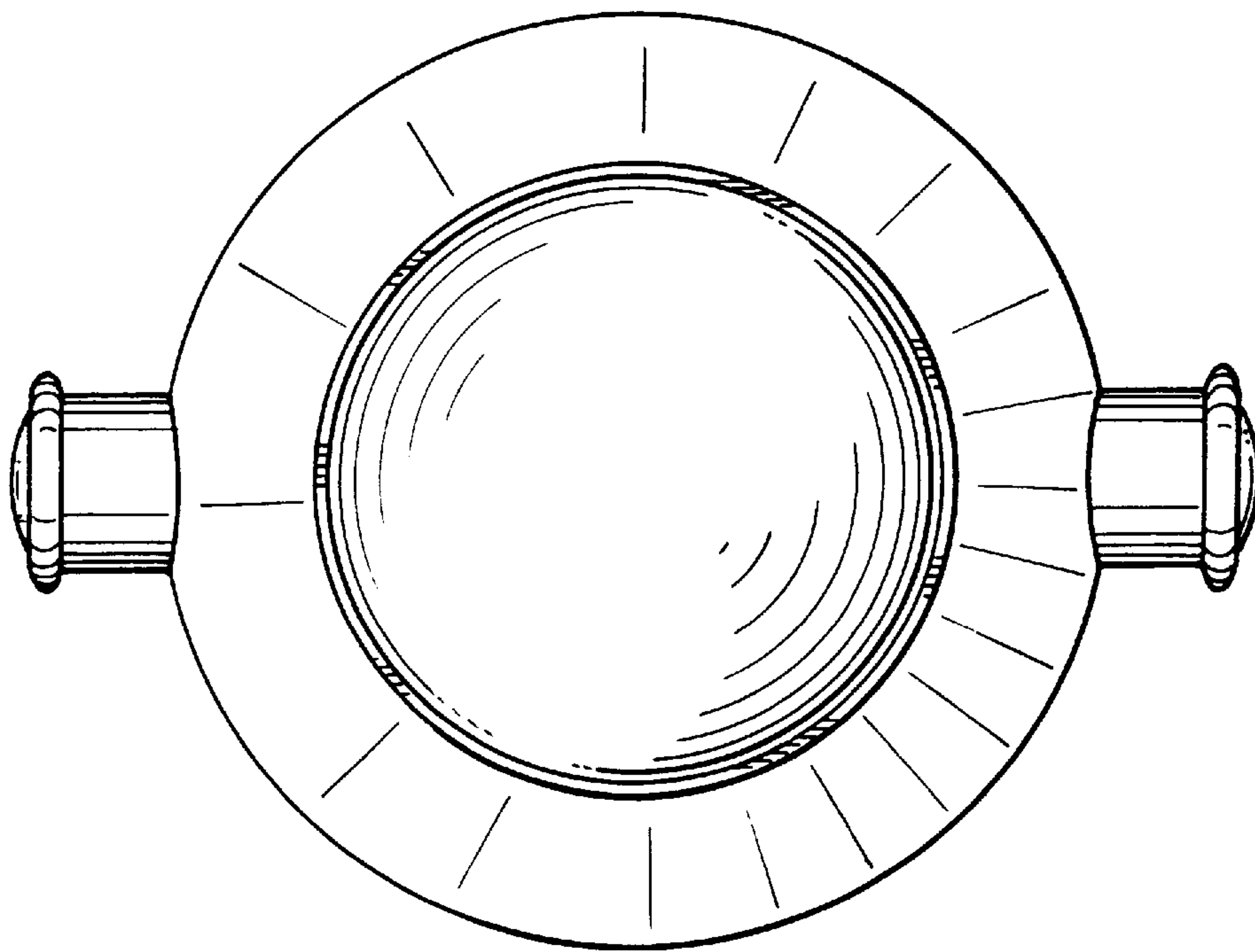


FIG. 4

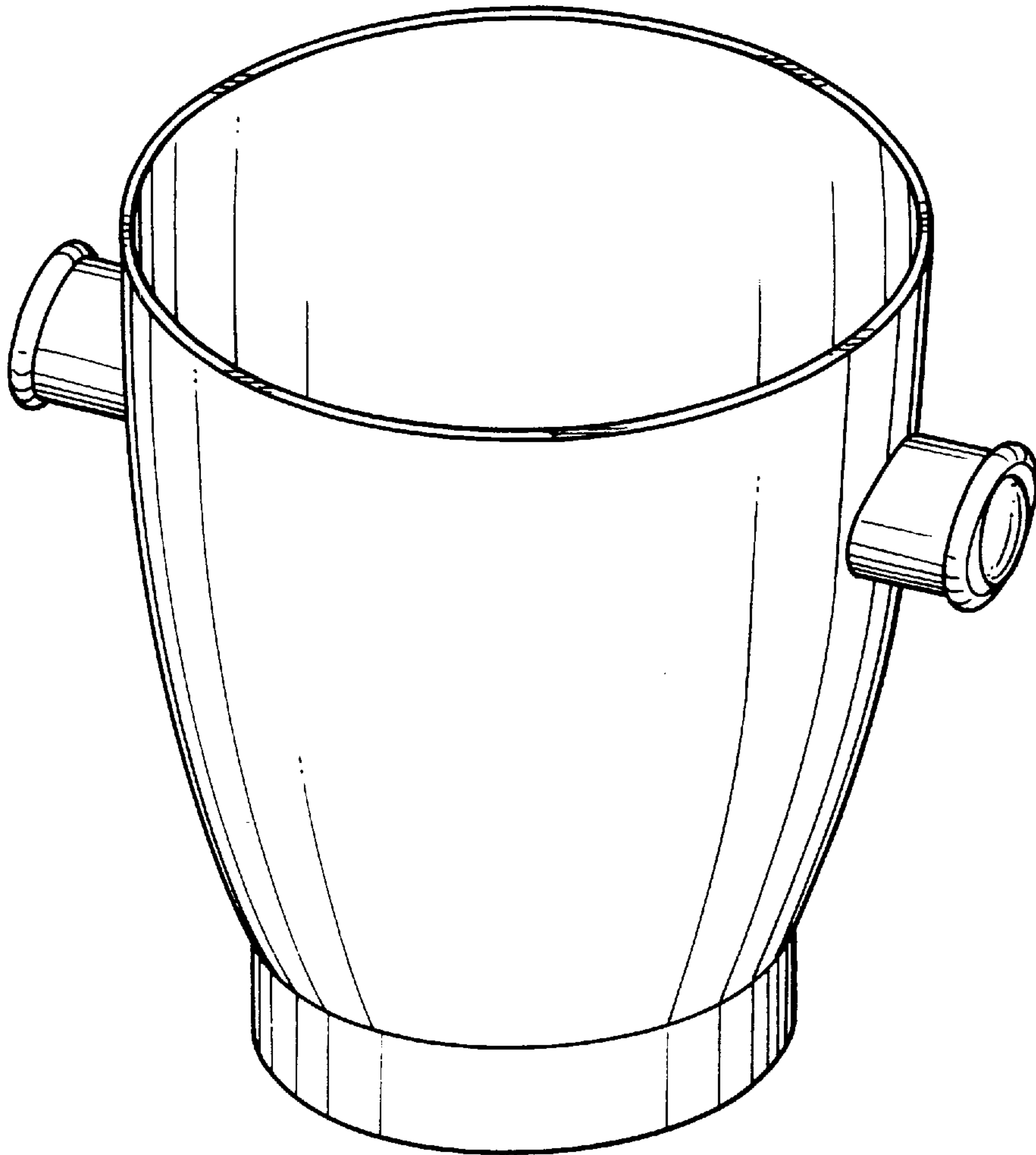


FIG. 5