



US00D407604S

United States Patent [19]
Liang

[11] **Patent Number: Des. 407,604**

[45] **Date of Patent: **Apr. 6, 1999**

[54] **GAS IGNITION GUN**

2,394,349 2/1946 Wilson D7/416
2,808,714 10/1957 Wilson D7/416
4,315,731 2/1982 Moore 431/254

[76] Inventor: **Chung-Ho Liang**, 2/F., No. 66, Sec. 3,
Cheng-Tai Rd., Wu-Ku Village, Taipei
County, Taiwan

[**] Term: **14 Years**

Primary Examiner—M. N. Pandozzi
Attorney, Agent, or Firm—Rosenberg, Klein & Bilker

[21] Appl. No.: **86,859**

[57] **CLAIM**

The ornamental design for a gas ignition gun, as shown and described.

[22] Filed: **Apr. 21, 1998**

DESCRIPTION

[51] **LOC (6) Cl.** **07-99**

[52] **U.S. Cl.** **D7/416**

[58] **Field of Search** D7/416; 126/25 B,
126/409; 431/13; 417/411, 234, 255, 254;
D27/154, 131

FIG. 1 is a perspective view of a gas ignition gun showing my new design;

FIG. 2 is a top plain view thereof;

FIG. 3 is a bottom plain view thereof;

FIG. 4 is a front elevational view thereof;

FIG. 5 is a rear elevational view thereof;

FIG. 6 is a left side elevational view thereof; and,

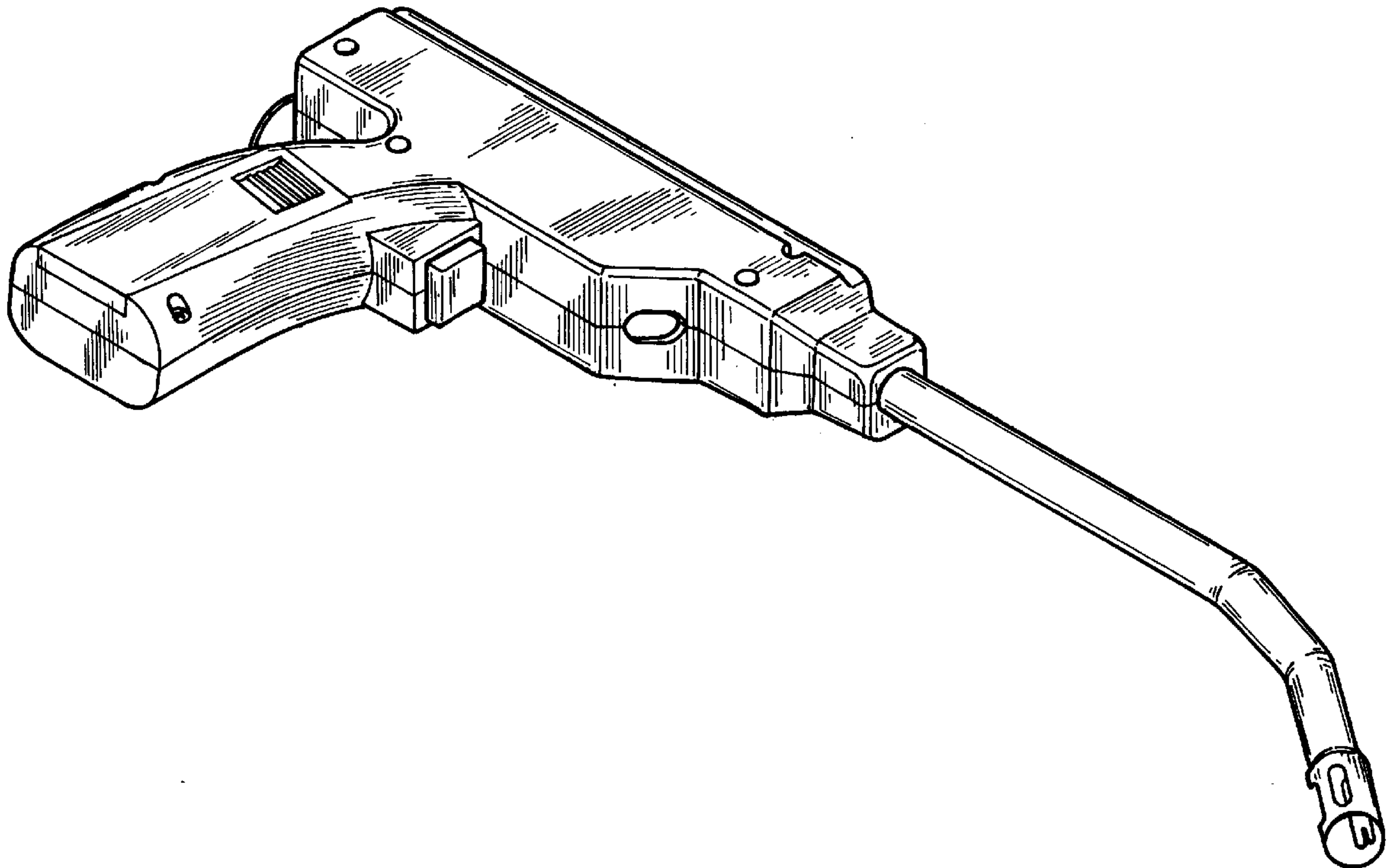
FIG. 7 is a right side elevational view thereof.

[56] **References Cited**

U.S. PATENT DOCUMENTS

D. 203,349 12/1965 Gross D7/416
D. 213,518 3/1969 Van Poppel D7/416
D. 382,444 8/1997 Ferrara, Jr. D7/416

1 Claim, 4 Drawing Sheets



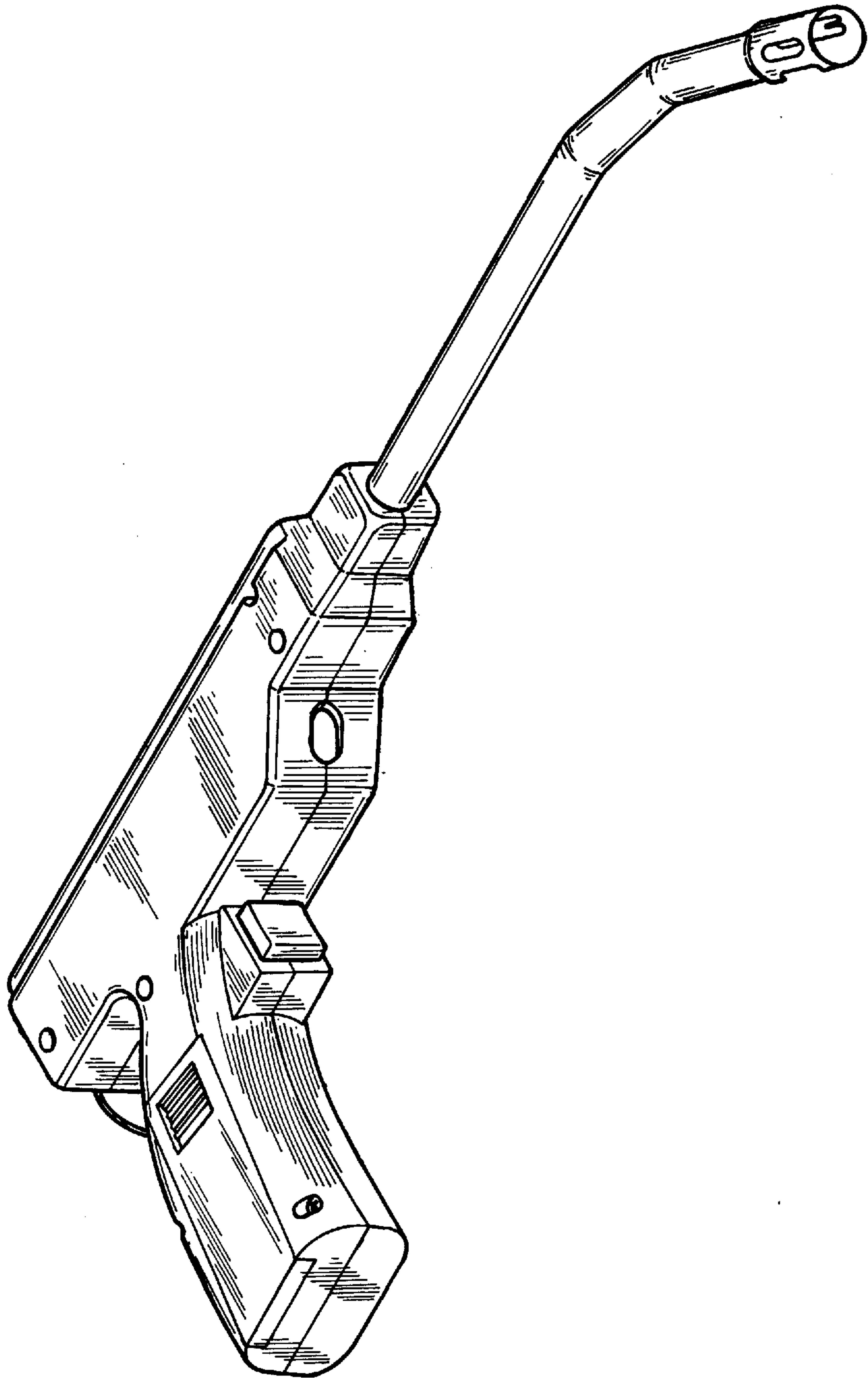


FIG. 1

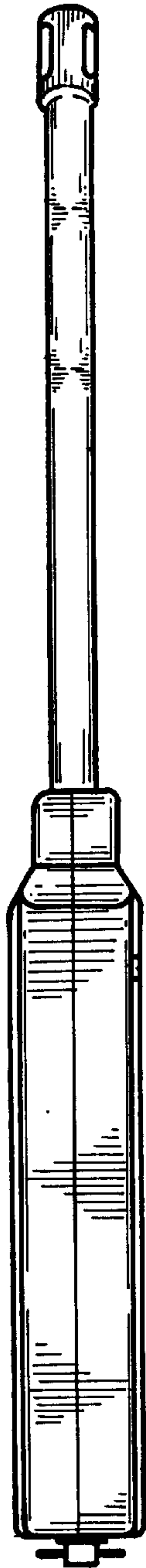


FIG. 2

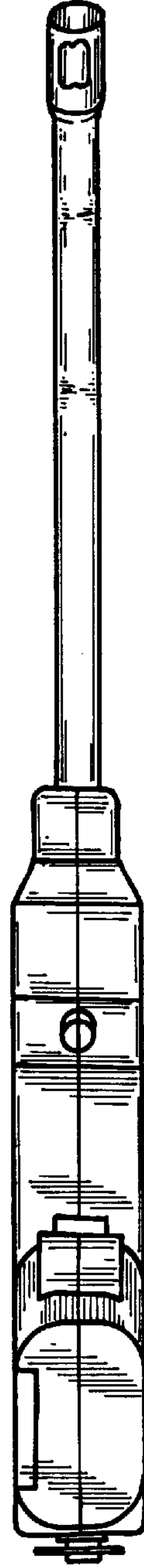


FIG. 3

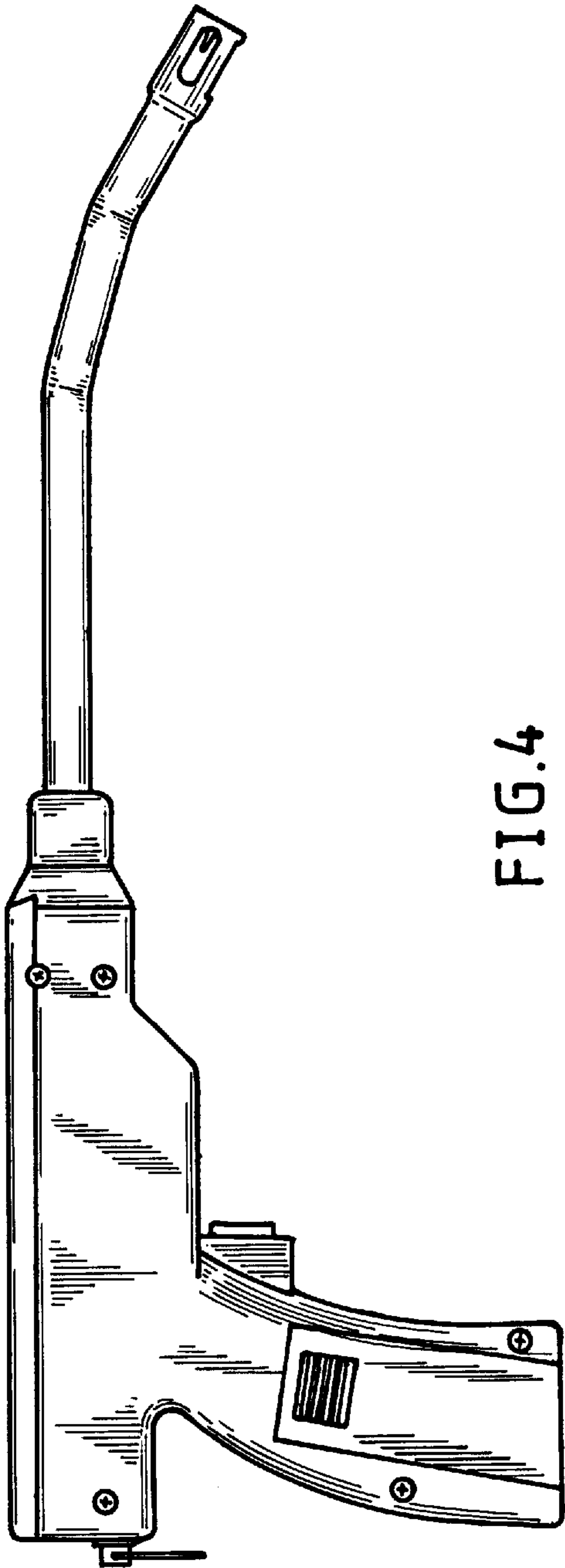


FIG. 4

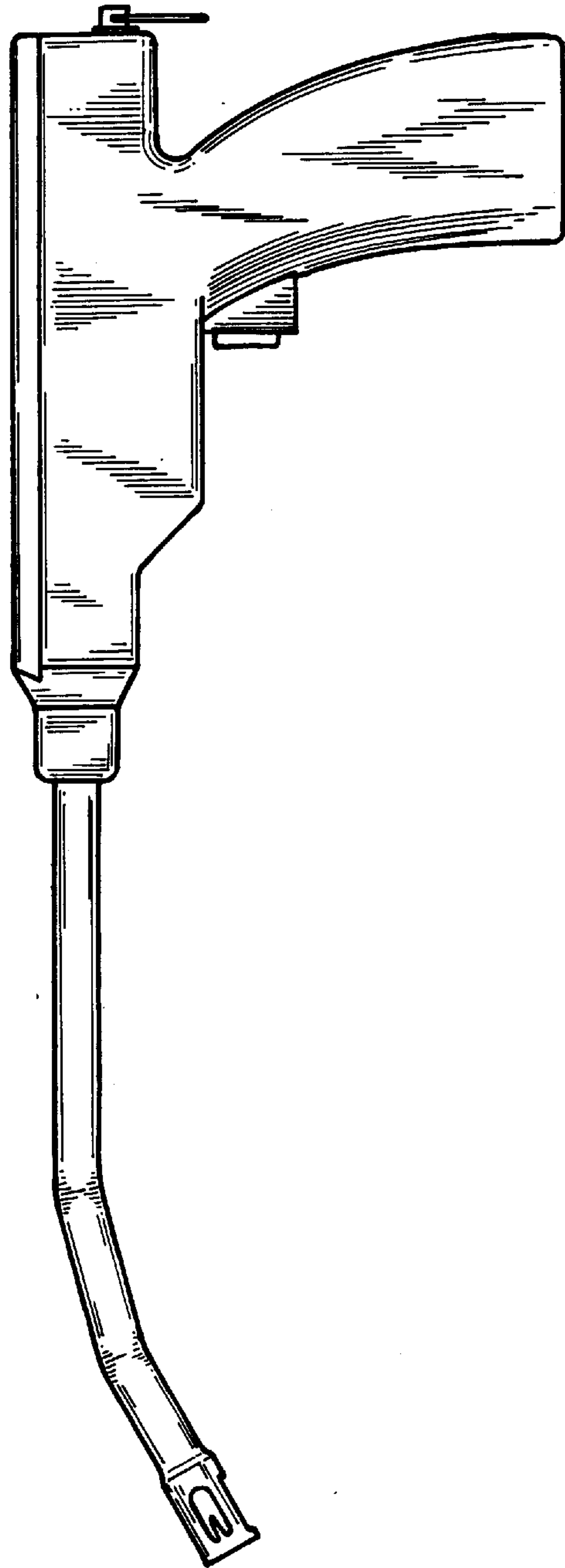


FIG. 5



FIG. 6

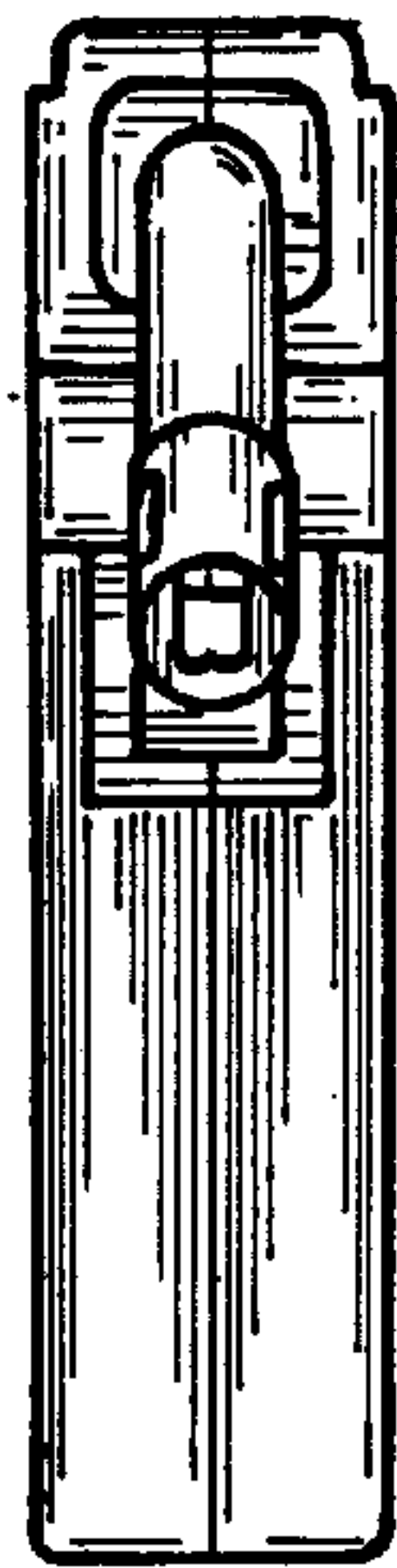


FIG. 7