



US00D407603S

United States Patent [19]

Cohen et al.

[11] Patent Number: Des. 407,603

[45] Date of Patent: **Apr. 6, 1999

[54] HANDLE FOR KNIVES

[75] Inventors: **Milton L. Cohen**, Hewlett Bay Park; **Jeff Siegel**, Center Island; **Adam Krent**, Brooklyn, all of N.Y.

[73] Assignee: **Lifetime Hoan Corporation**, Westbury, N.Y.

[**] Term: **14 Years**

[21] Appl. No.: **75,868**

[22] Filed: **Aug. 29, 1997**

[51] LOC (6) Cl. **07-03**

[52] U.S. Cl. **D7/401.2; D7/649**

[58] Field of Search D7/642, 645, 649, D7/650, 652, 401.2; D8/99, 107; 30/142, 147-150, 340, 342-344

[56] **References Cited**

U.S. PATENT DOCUMENTS

D. 173,131	9/1954	Schreckengost	D7/361
D. 192,916	5/1962	Zorn	D7/649
D. 295,011	4/1988	Herron et al.	D7/649
D. 302,092	7/1989	Cohen et al.	D7/650
D. 353,514	12/1994	Sheldon	D7/401.2
D. 354,881	1/1995	Huff	D7/401.2

Primary Examiner—Caron D. Veynar
Attorney, Agent, or Firm—Goodman & Teitelbaum, Esqs.

[57] **CLAIM**

The ornamental design for a handle for knives, as shown and described.

DESCRIPTION

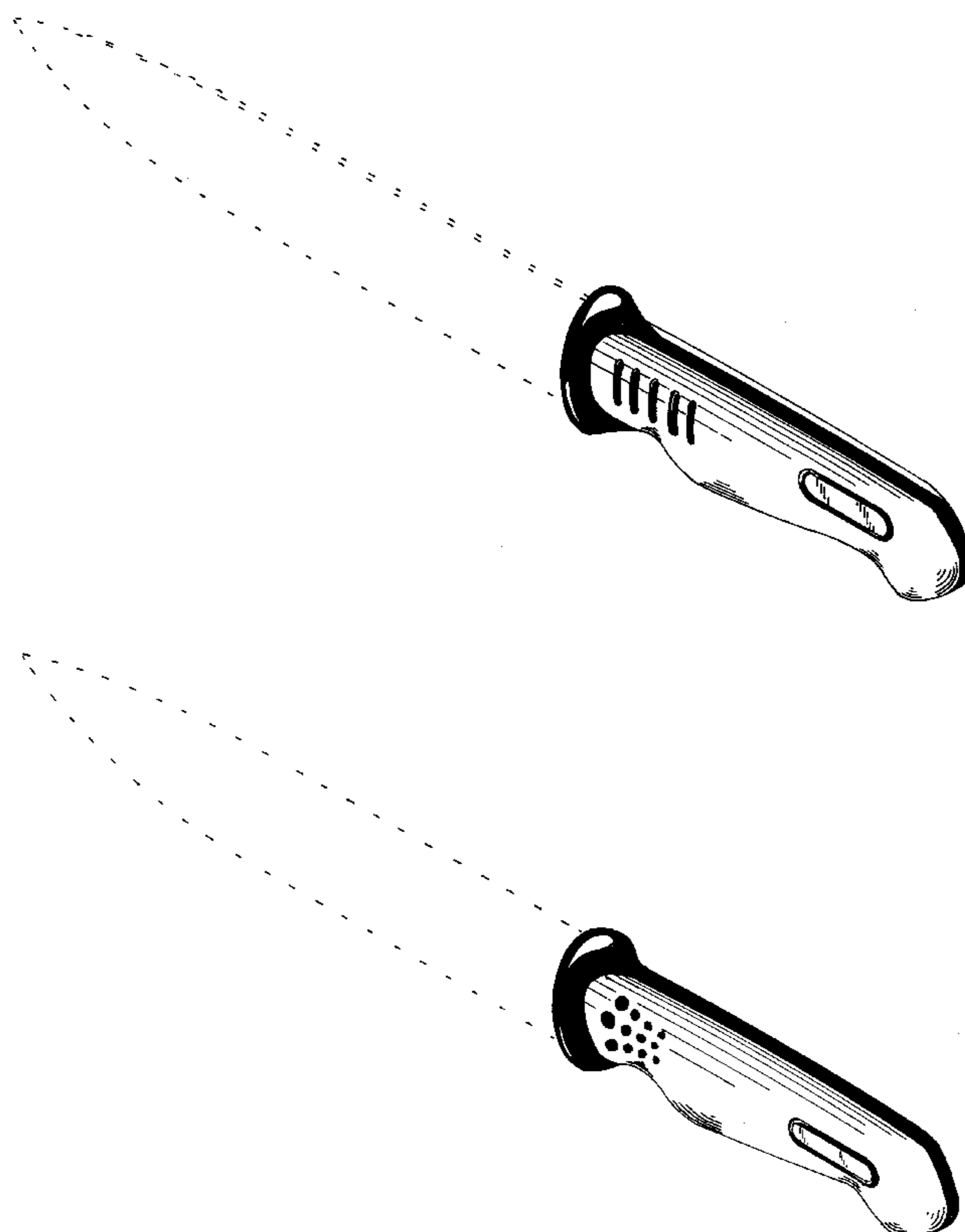
FIG. 1 is a perspective view of a handle for knives, showing our new design;
FIG. 2 is a side elevational view of one side thereof;
FIG. 3 is a top plan view thereof;
FIG. 4 is a side elevational view of the other side thereof;
FIG. 5 is a bottom plan view thereof;
FIG. 6 is a rear elevational view thereof;
FIG. 7 is a front elevational view thereof;
FIG. 8 is a perspective view of a second embodiment of our new design of FIGS. 1-7;
FIG. 9 is a side elevational view of one side of FIG. 8;
FIG. 10 is a top plan view of FIG. 8;
FIG. 11 is a side elevational view of the other side of FIG. 8;
FIG. 12 is a bottom plan view of FIG. 8;
FIG. 13 is a rear elevational view of FIG. 8; and,
FIG. 14 is a front elevational view of FIG. 8.

The broken line showings of a knife blade in FIGS. 1-5 and 7 and in FIGS. 8-12 and 14 are for illustrative purposes only and form no part of the claimed design.

The characteristic feature of the design resides in the handle being provided with a metal cover on the opposite sides thereof with resilient finger grips extending through both metal covers of the handle.

The solid black areas on the drawings represent the color black.

1 Claim, 4 Drawing Sheets



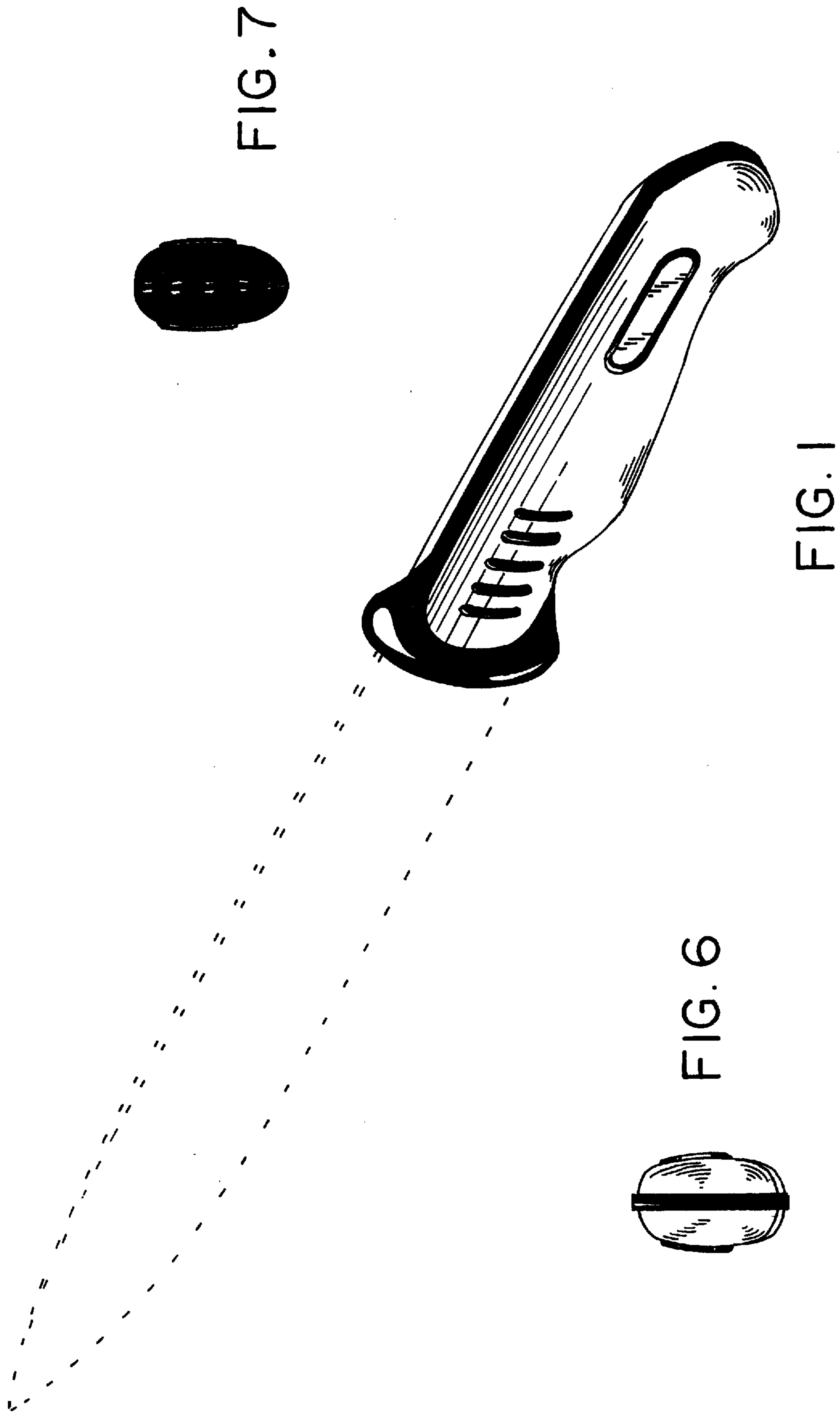


FIG. 7

FIG. 1

FIG. 6

FIG. 2

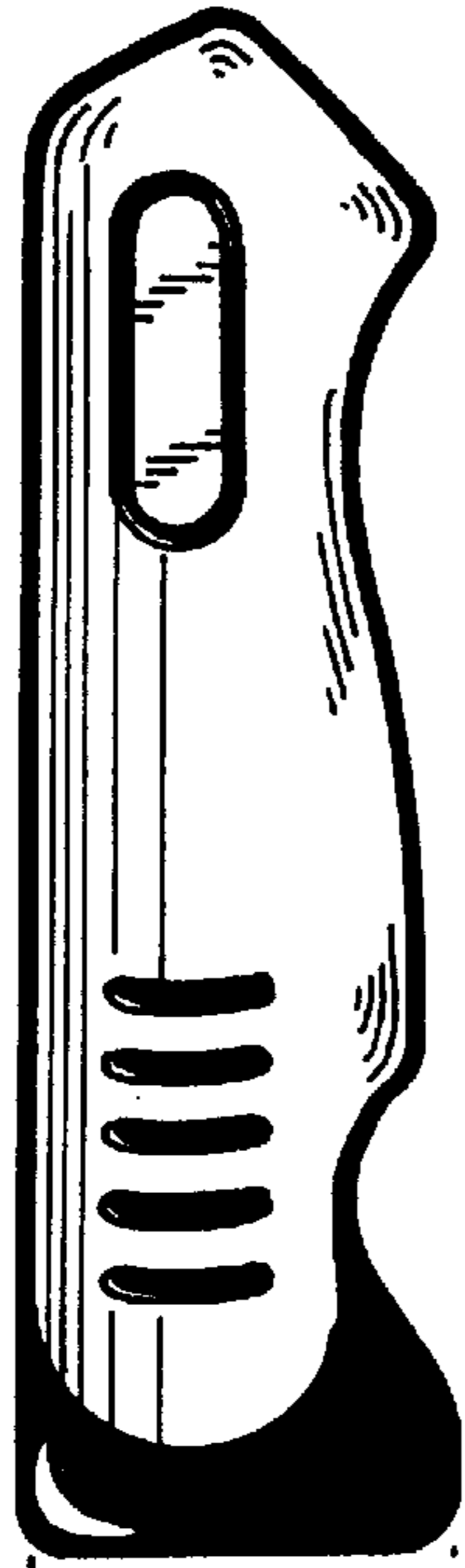


FIG. 3



FIG. 4

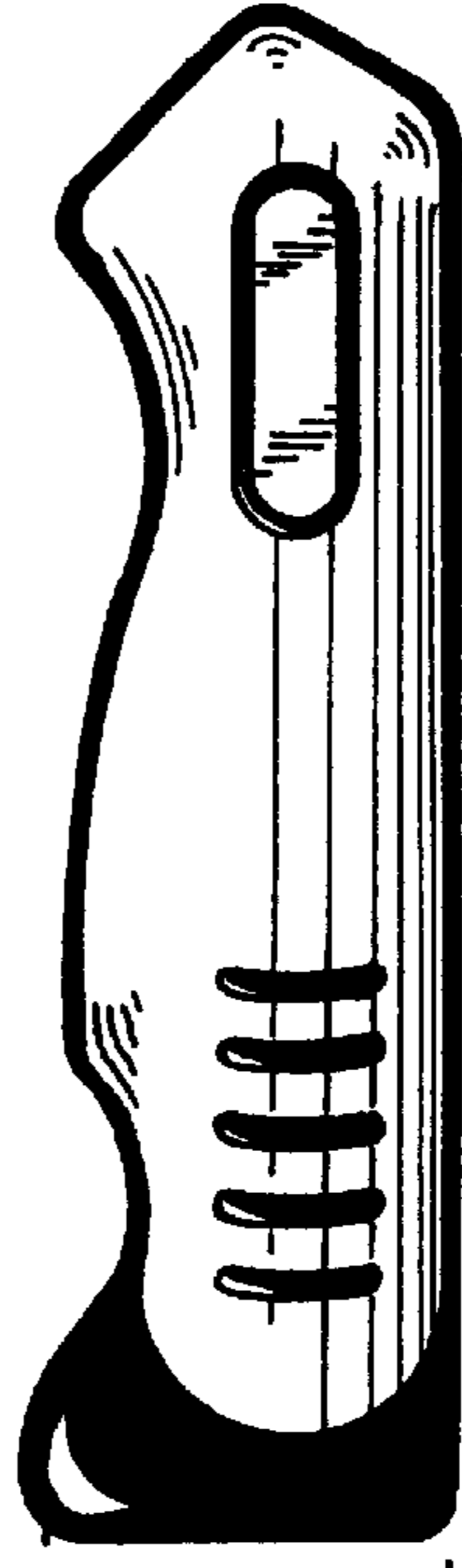


FIG. 5



FIG. 14

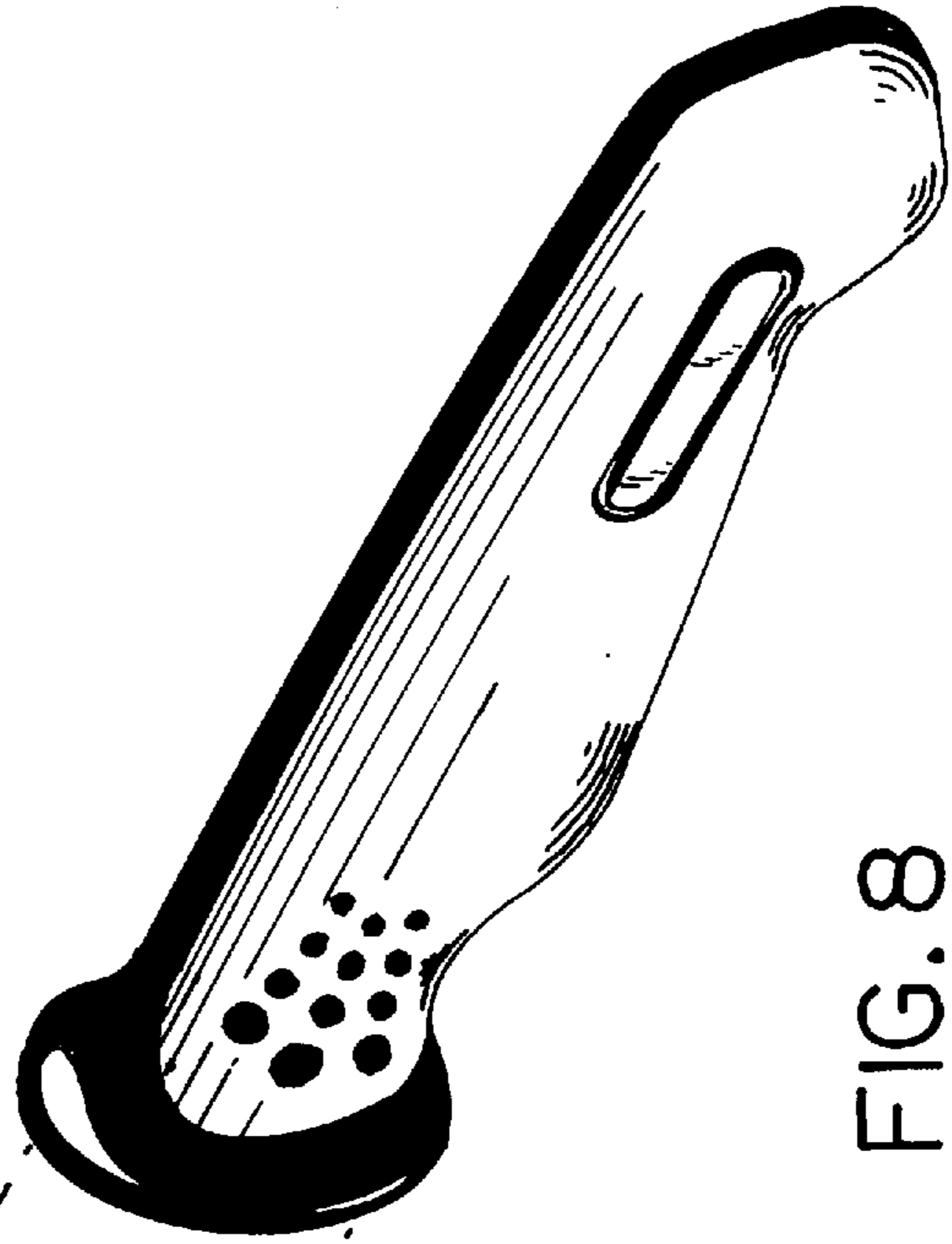
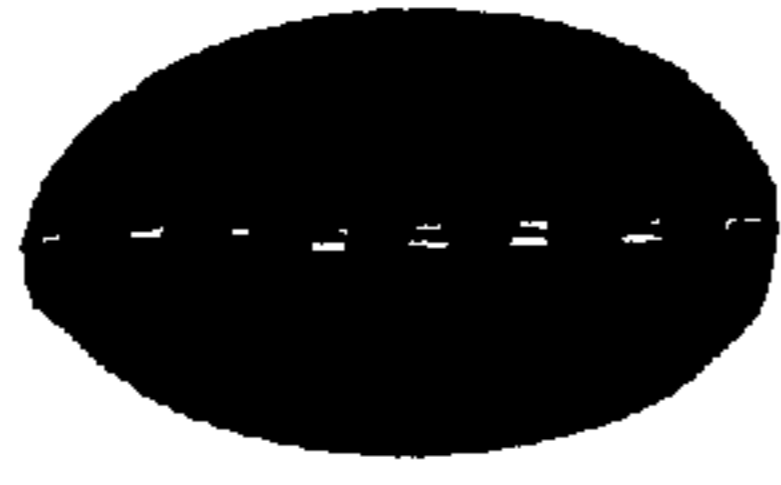


FIG. 8

FIG. 13



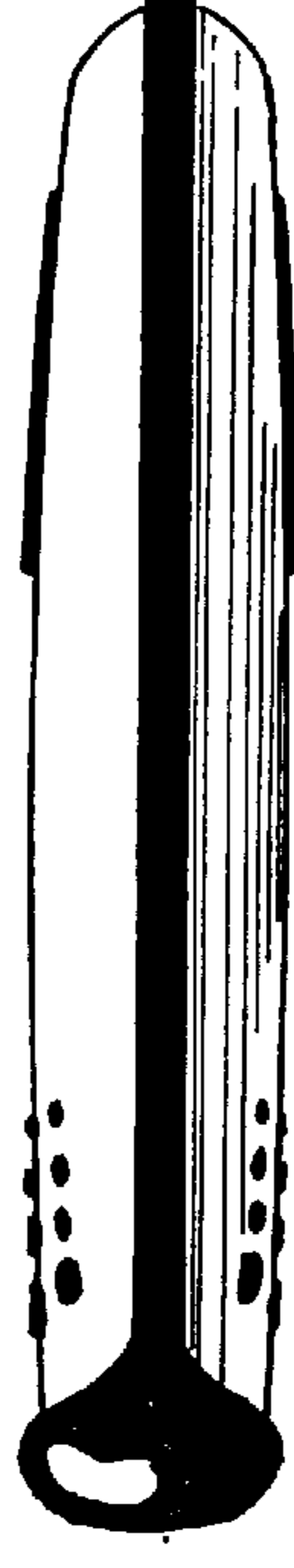
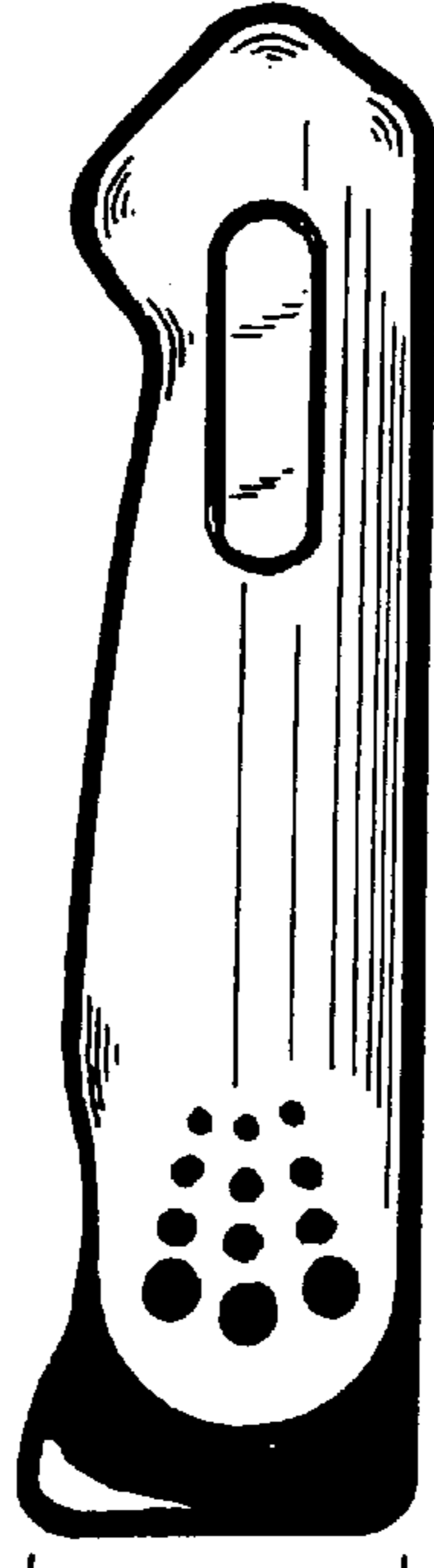
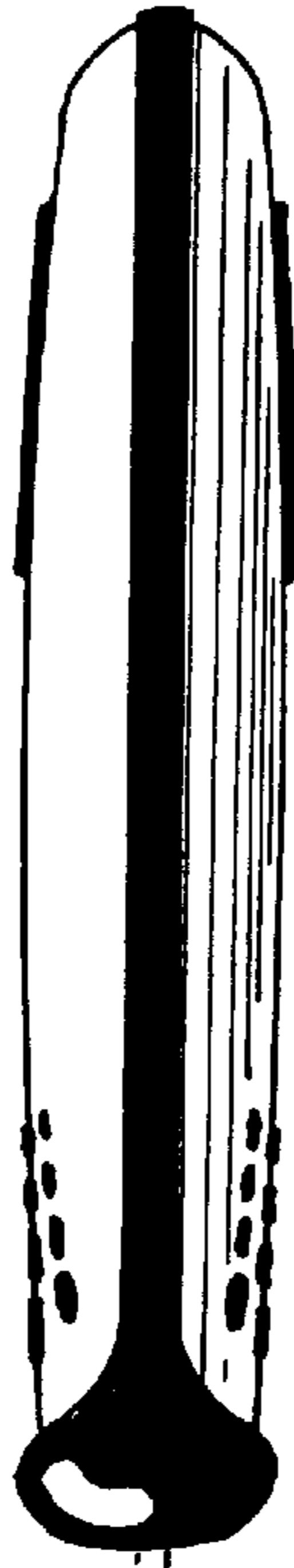
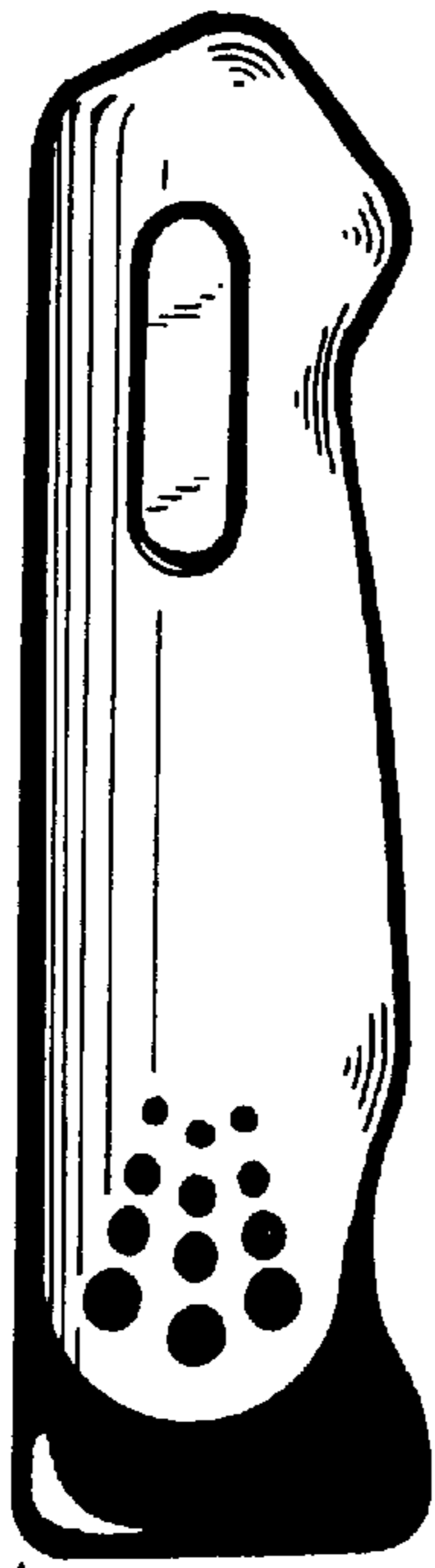


FIG. 9

FIG. 10

FIG. 11

FIG. 12