



US00D407602S

United States Patent [19] Patel

[11] Patent Number: **Des. 407,602**

[45] Date of Patent: ****Apr. 6, 1999**

[54] **COFFEE BREW BASKET**

[75] Inventor: **Dahyabhai U. Patel**, Vancouver, Canada

[73] Assignee: **Cafe 98 Industries Limited**, Canada

[**] Term: **14 Years**

[21] Appl. No.: **72,664**

[22] Filed: **Jun. 23, 1997**

[51] **LOC (6) Cl.** **07-99**

[52] **U.S. Cl.** **D7/400**

[58] **Field of Search** D7/400; 99/295, 99/304; 222/465.1; 210/474

[56] **References Cited**

U.S. PATENT DOCUMENTS

D. 225,078	11/1972	Martin et al.	D7/400
D. 255,313	6/1980	Elkerbout	D7/129
D. 341,286	11/1993	Grykiewicz et al.	D7/400
D. 341,992	12/1993	Gasser	D7/400
D. 360,106	7/1995	Sintchak	D7/400
D. 378,650	4/1997	Wong	D7/397
4,656,932	4/1987	Kopp	99/295

4,735,719	4/1988	Benedict	210/474
4,739,697	4/1988	Roberts	99/295
5,287,797	2/1994	Grykiewicz et al.	99/295
5,290,444	3/1994	Campbell	D7/400 X
5,424,083	6/1995	Lozito	99/295 X
5,628,902	5/1997	Pytlik et al.	99/295 X

Primary Examiner—M. N. Pandozzi
Attorney, Agent, or Firm—Fitzpatrick, Cella, Harper & Scinto

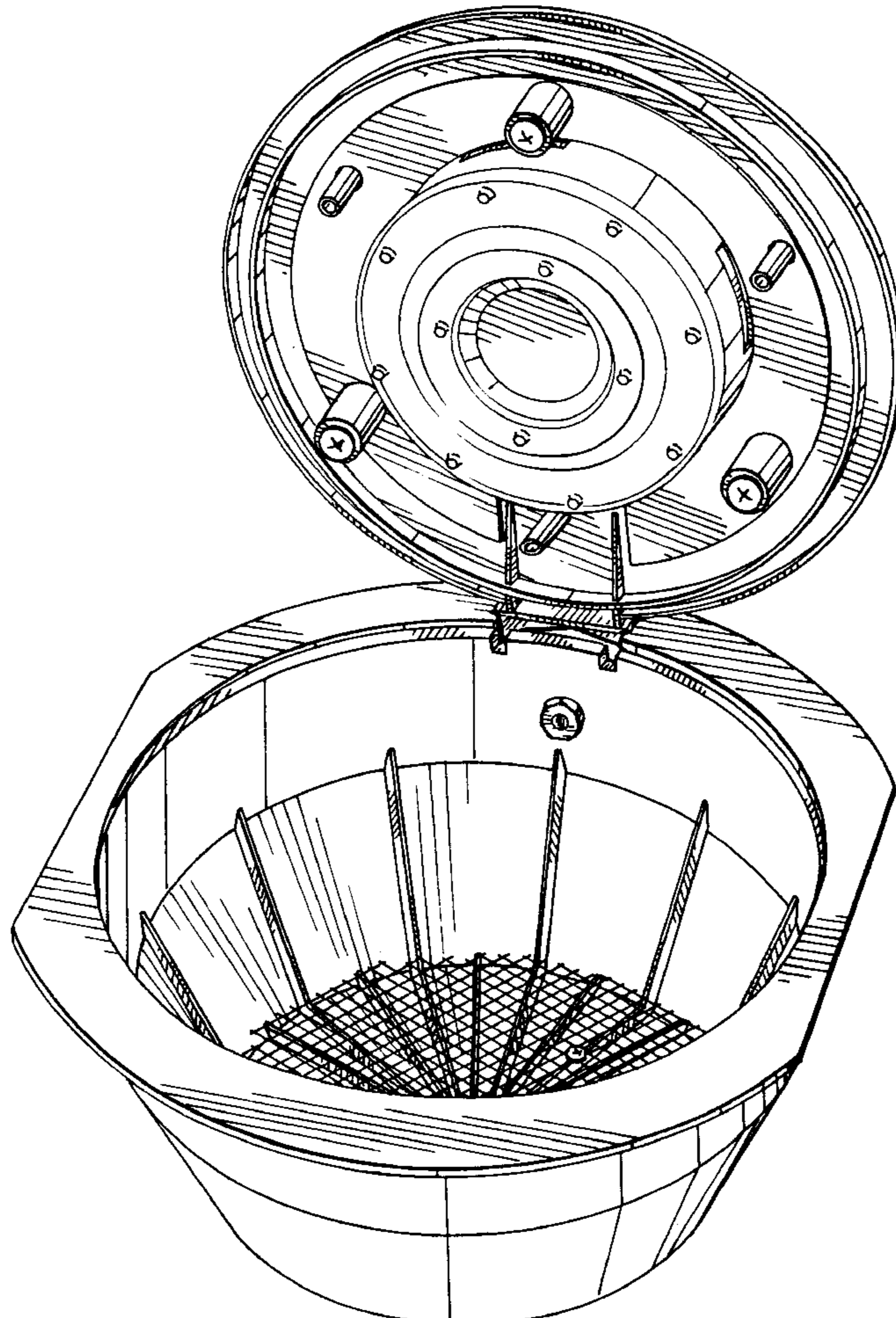
[57] **CLAIM**

The ornamental design for a coffee brew basket, as shown and described.

DESCRIPTION

FIG. 1 is a perspective view of a coffee brew basket; FIG. 2 is a front view of the coffee brew basket of FIG. 1; FIG. 3 is a rear view of the coffee brew basket of FIG. 1; FIG. 4 is a bottom plan view of the coffee brew basket of FIG. 1; FIG. 5 is a top plan view of the coffee brew basket of FIG. 1; and, FIG. 6 is a side view of the coffee brew basket of FIG. 1.

1 Claim, 4 Drawing Sheets



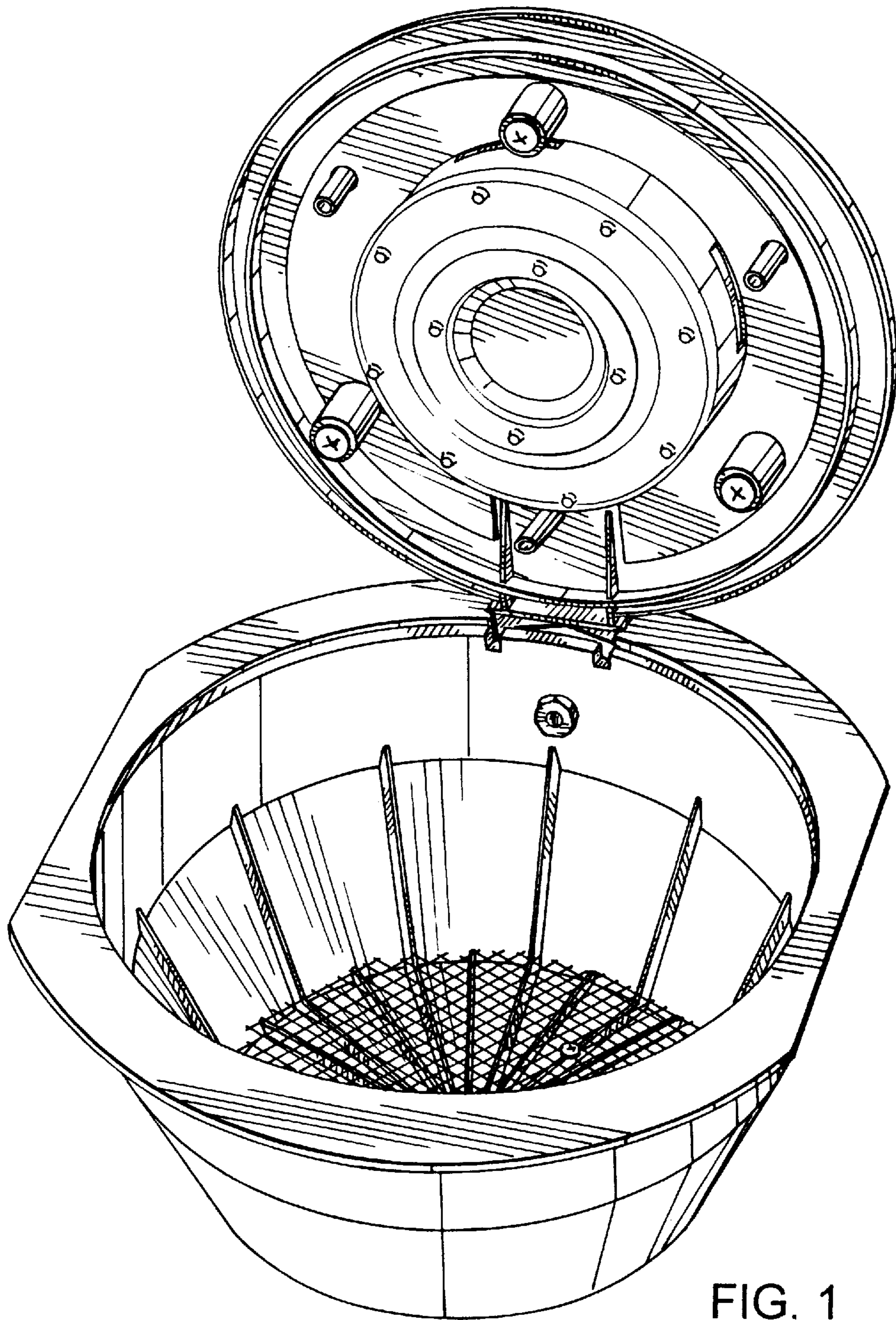
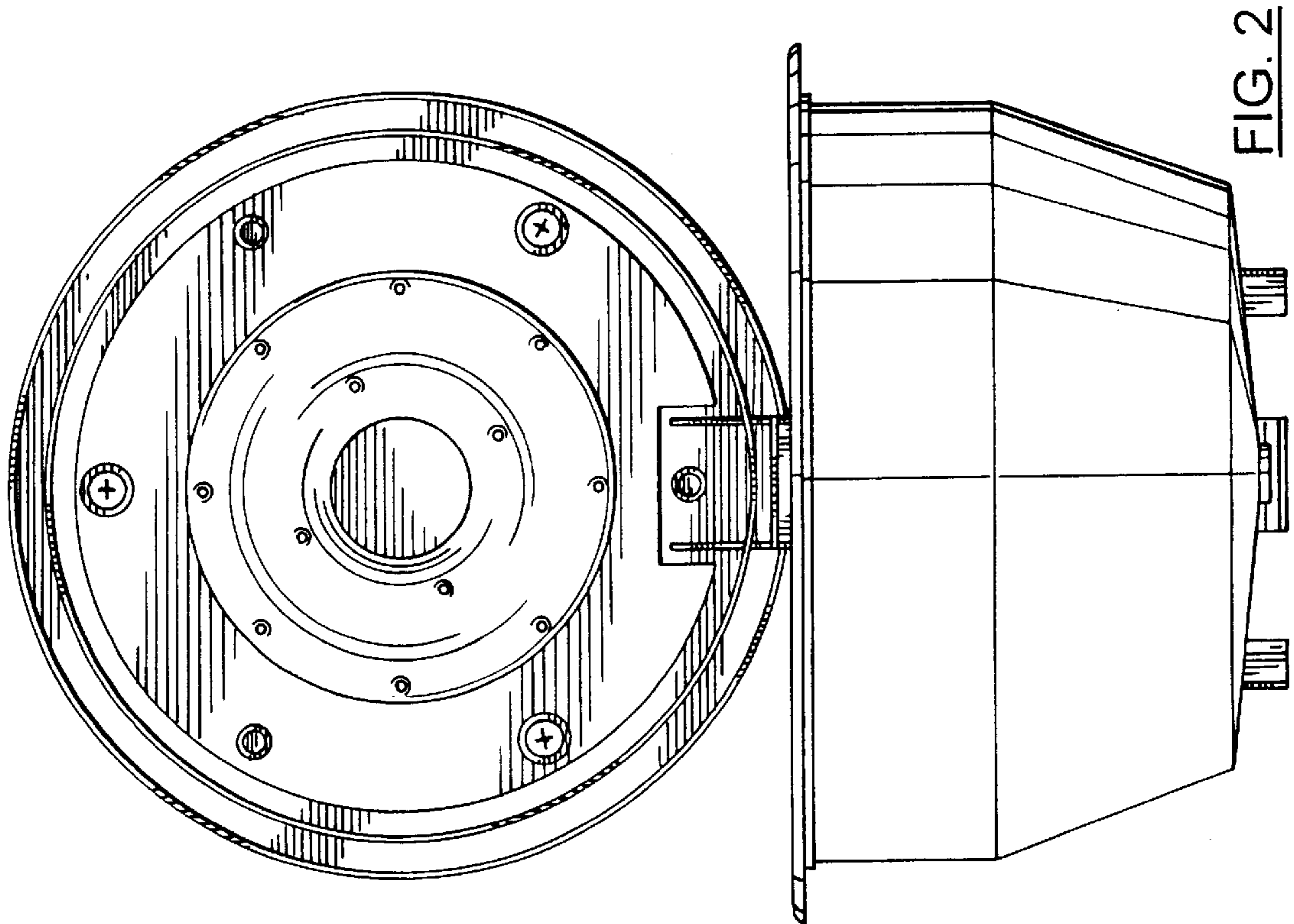
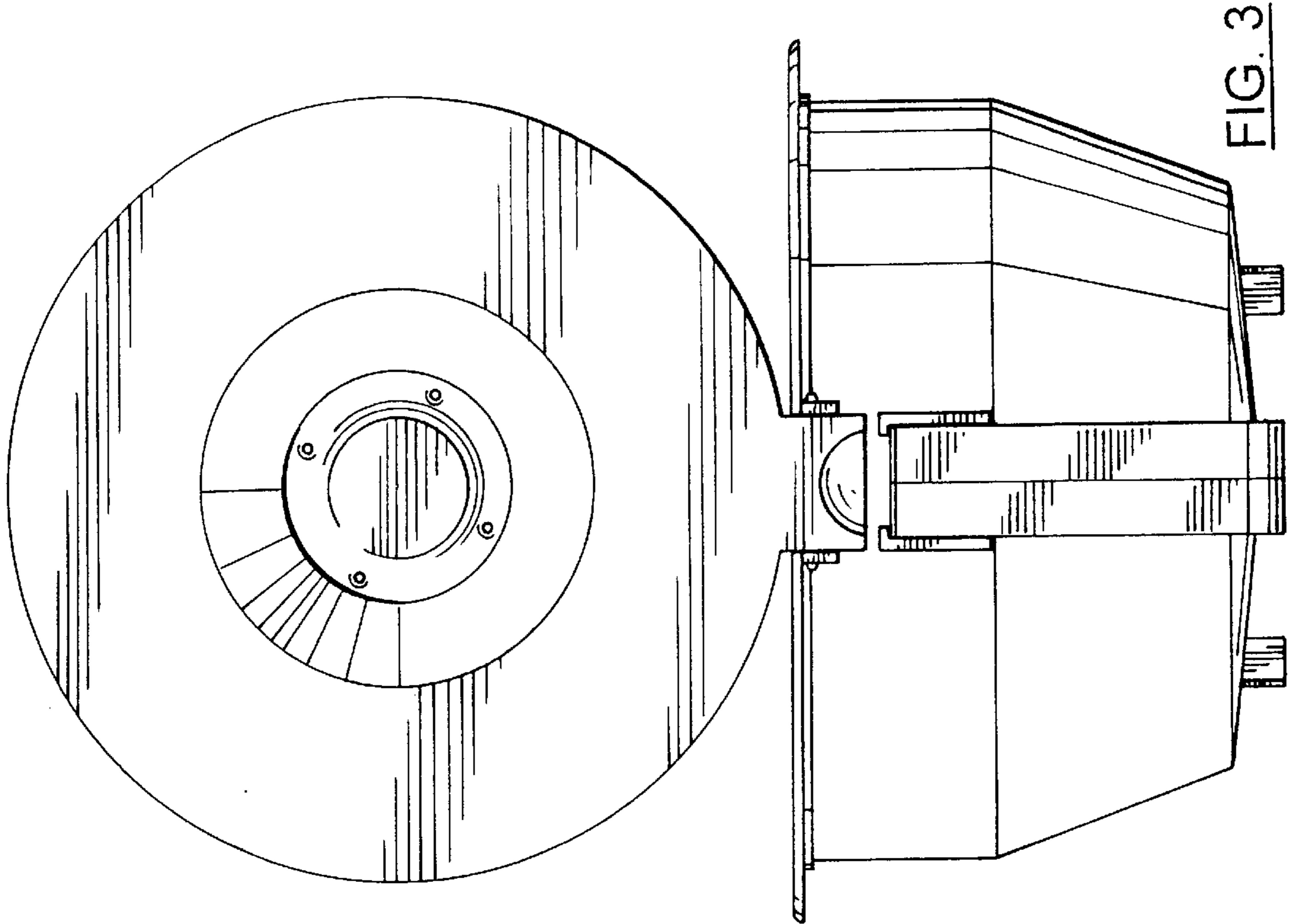


FIG. 1



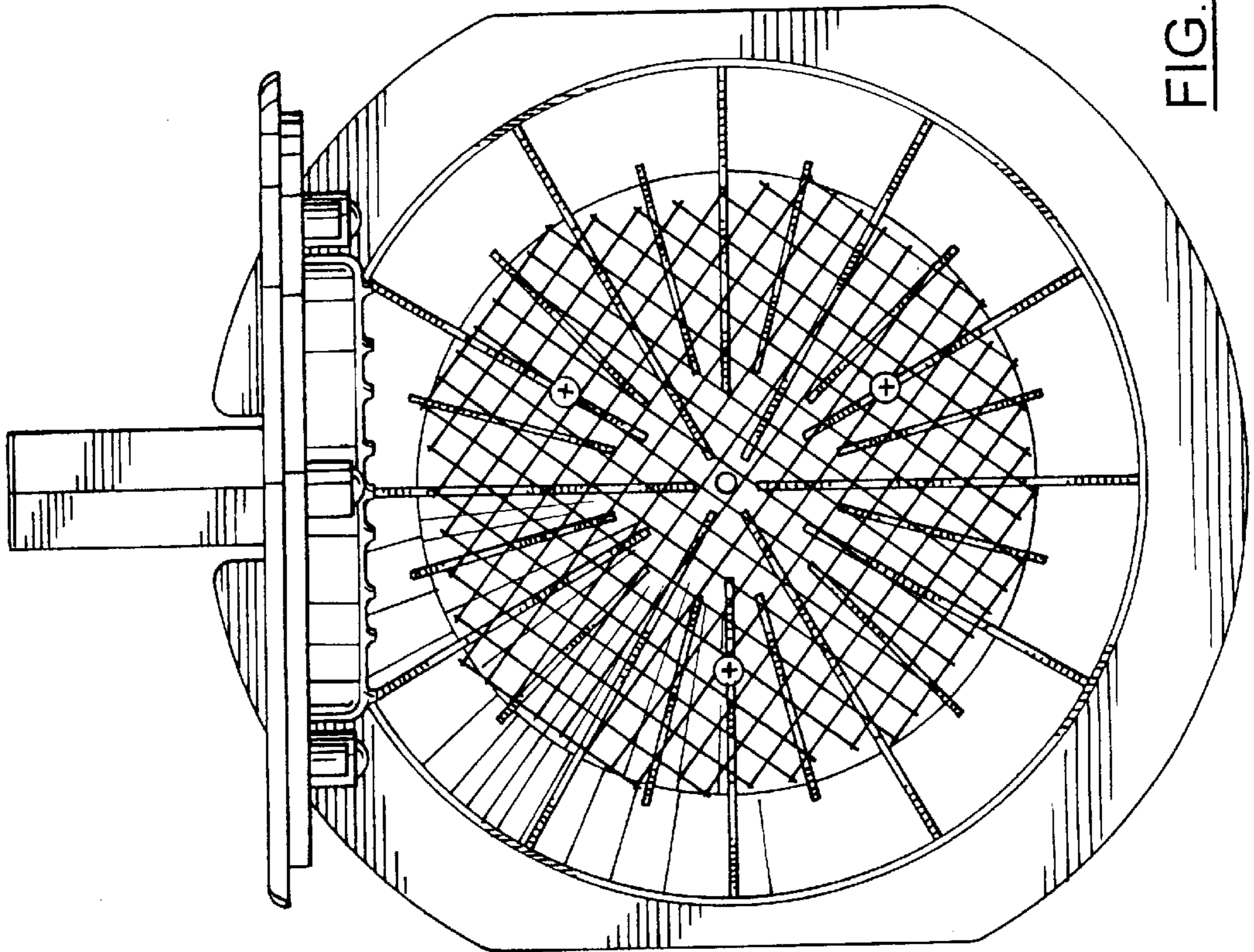


FIG. 5

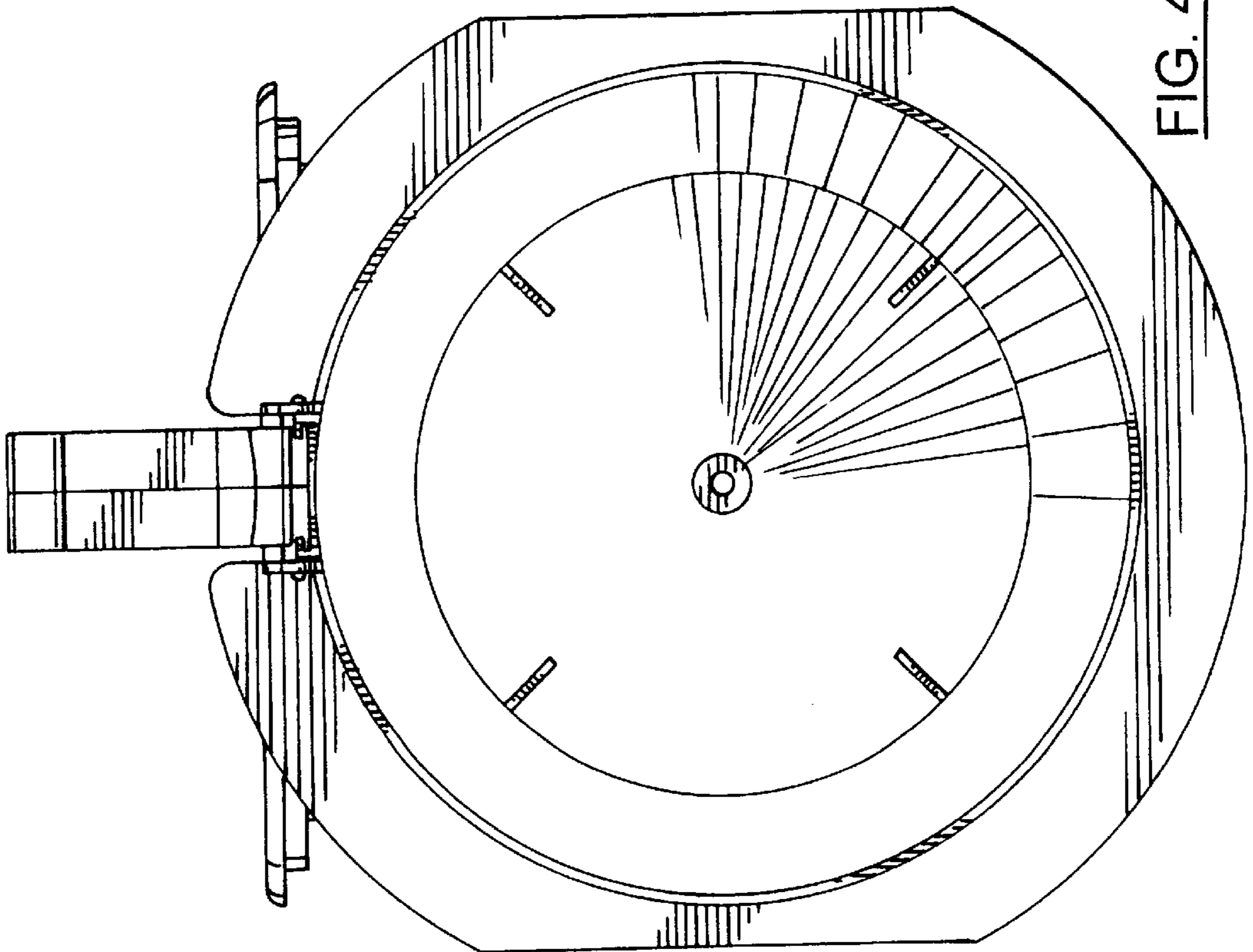


FIG. 4

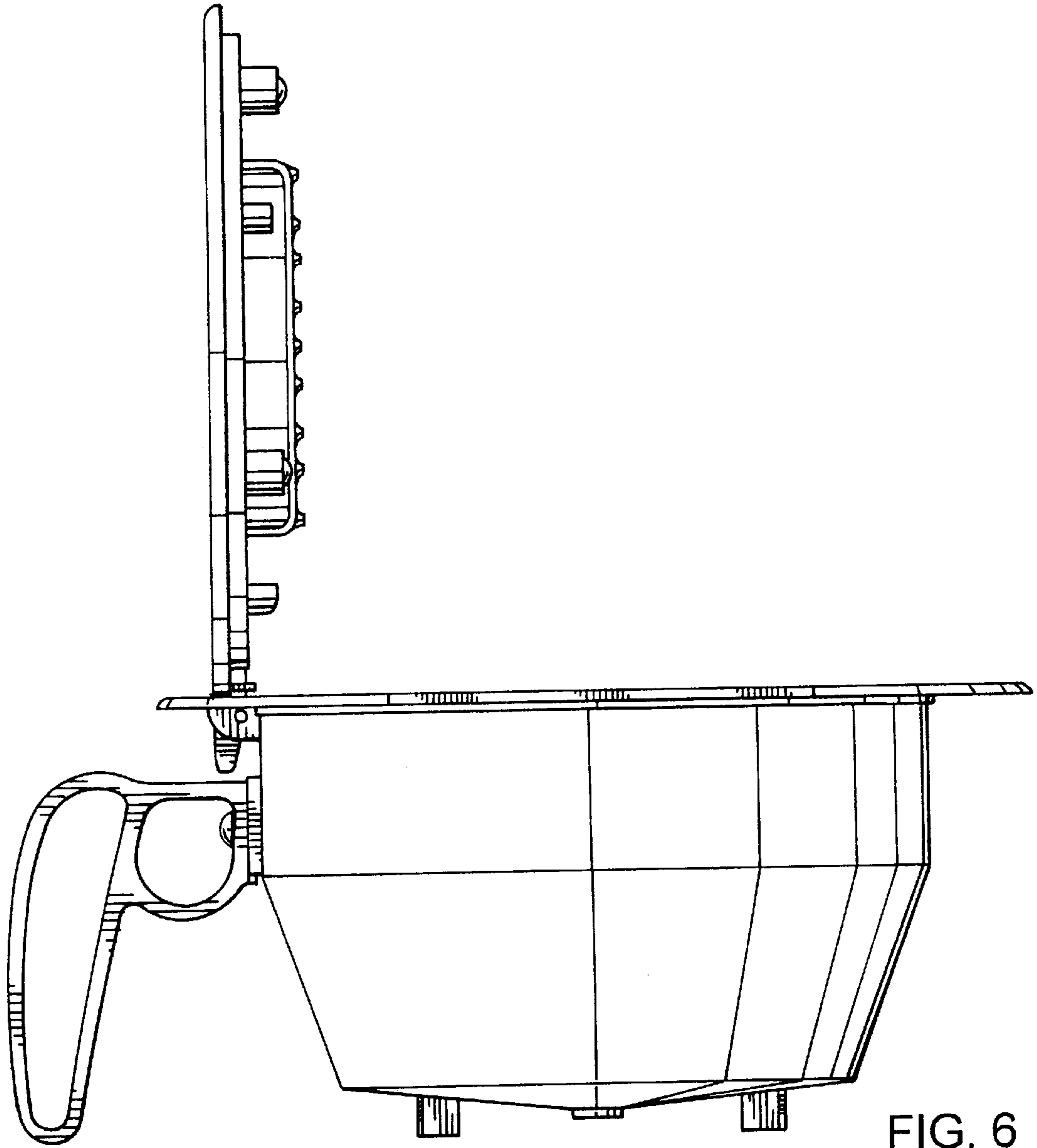


FIG. 6