

US00D407600S

# United States Patent [19] LoGiudice

[11] **Patent Number: Des. 407,600**

[45] **Date of Patent: \*\*Apr. 6, 1999**

[54] **COOKWARE HANDLE**

141155 4/1920 United Kingdom ..... 16/110 A  
200692 7/1922 United Kingdom ..... 16/116 R

[75] Inventor: **Paul Angelo LoGiudice**, Toledo, Ohio

[73] Assignee: **Calphalon Corporation**, Toledo, Ohio

[\*\*] Term: **14 Years**

[21] Appl. No.: **77,983**

[22] Filed: **Oct. 17, 1997**

[51] **LOC (6) Cl. .... 07-02**

[52] **U.S. Cl. .... D7/395**

[58] **Field of Search** ..... D7/354-361, 393-395;  
16/110 R, 114 R, 114 A, 110 A; 220/912,  
771

### OTHER PUBLICATIONS

*Berndes TraditionCast Professional Quality Cookware Col-  
lection*, undated, 4 pages.  
*Use & Care for Magnalite Professional Stainless Steel™*,  
Williams Sonoma, undated, 7 pages.  
HFD-Retailing Home Furnishings; p. 172; Cop-R-Chef  
Cookware; middle of page, Jan. 1990.  
*Gifts & Decorative Accessories*, Jan. 1977, p. 100.  
*Gifts & Decorative Accessories*, Dec. 1979, p. 297.

*Primary Examiner*—Caron D. Veynar  
*Attorney, Agent, or Firm*—Shlesinger Arkwright & Garvey  
LLP

### [56] **References Cited**

#### U.S. PATENT DOCUMENTS

116,330	6/1871	Lawrence et al. ....	294/29
168,858	10/1875	Washburne .....	16/118
D. 216,324	12/1969	Yamamoto .....	D7/356
217,938	7/1879	Graves .....	220/771
D. 221,397	8/1971	Chen .....	D7/360
D. 276,403	11/1984	Ejiri .....	D7/360
D. 277,254	1/1985	Matsuhisa .....	D7/359
D. 298,404	11/1988	Lemme et al. ....	D7/393
D. 366,184	1/1996	Koch .....	D7/395
D. 371,933	7/1996	Ito .....	D7/361
402,131	4/1889	Berger .....	16/110 A
901,400	10/1908	Vincent .....	16/110 A
1,556,420	10/1925	Chandler .....	16/110 A
2,540,306	2/1951	Turek .....	16/116 R
2,693,295	11/1954	Fasano .....	220/753
4,413,767	11/1983	Hellinger .....	228/136
4,653,468	3/1987	Lemme et al. ....	16/110 A

#### FOREIGN PATENT DOCUMENTS

607077	3/1926	France .....	16/110 A
632319	10/1927	France .....	16/110 A

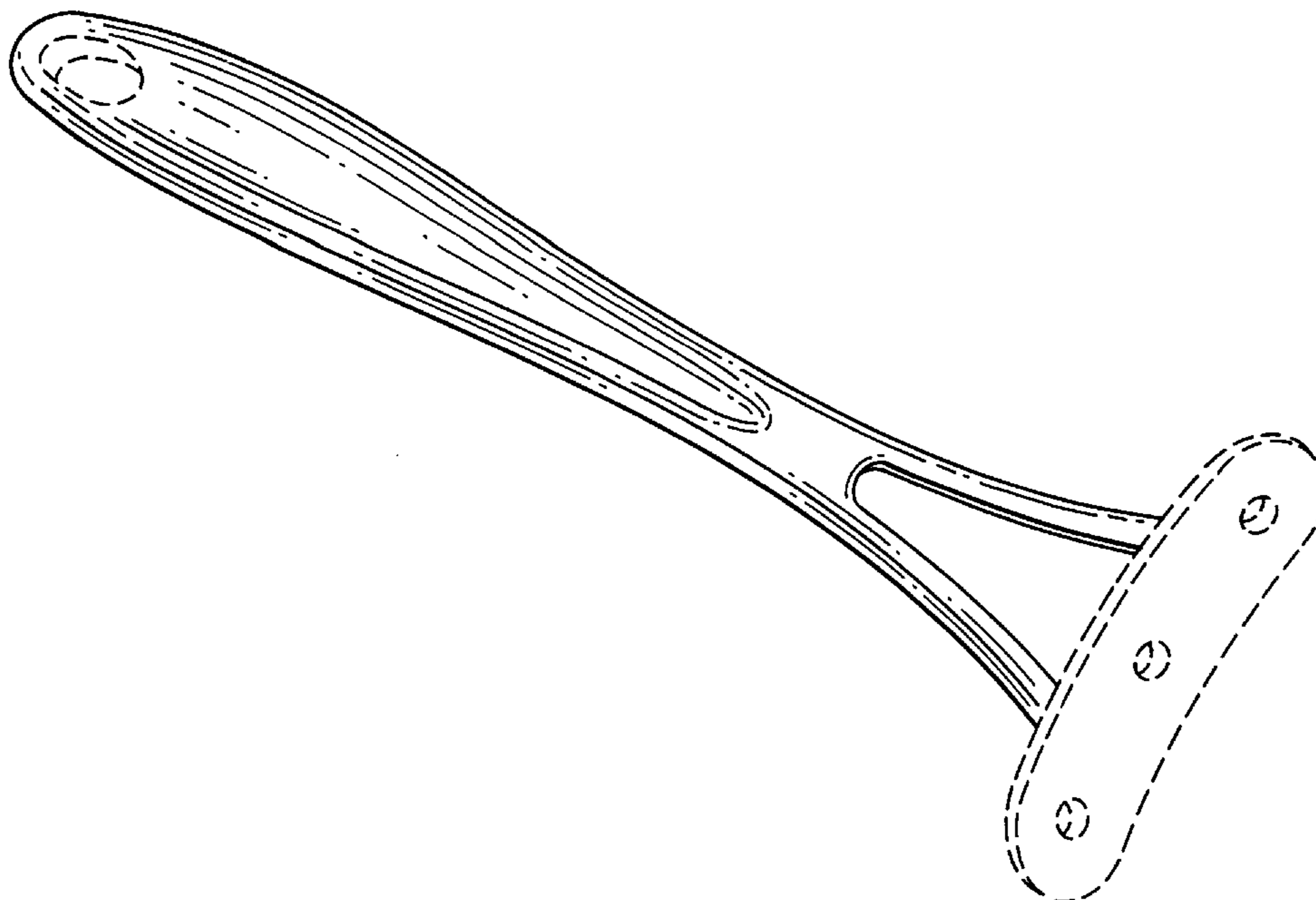
### [57] **CLAIM**

The ornamental design for the cookware handle, as shown and described.

### **DESCRIPTION**

FIG. 1 is a top perspective view of a cookware handle showing my new design;  
FIG. 2 is a bottom perspective view of FIG. 1;  
FIG. 3 is a top plan view of FIG. 1;  
FIG. 4 is a front elevational view of the cookware handle of FIG. 3, the rear elevational view being a mirror image thereof;  
FIG. 5 is a right side view of the cookware handle of FIG. 3;  
FIG. 6 is a left side view of the cookware handle of FIG. 3; and,  
FIG. 7 is the bottom plan view of the cookware handle of the preferred embodiment of FIG. 1.  
The broken line showings in FIGS. 1-7 are for illustrative purposes only and form no part of the claimed design.

**1 Claim, 3 Drawing Sheets**



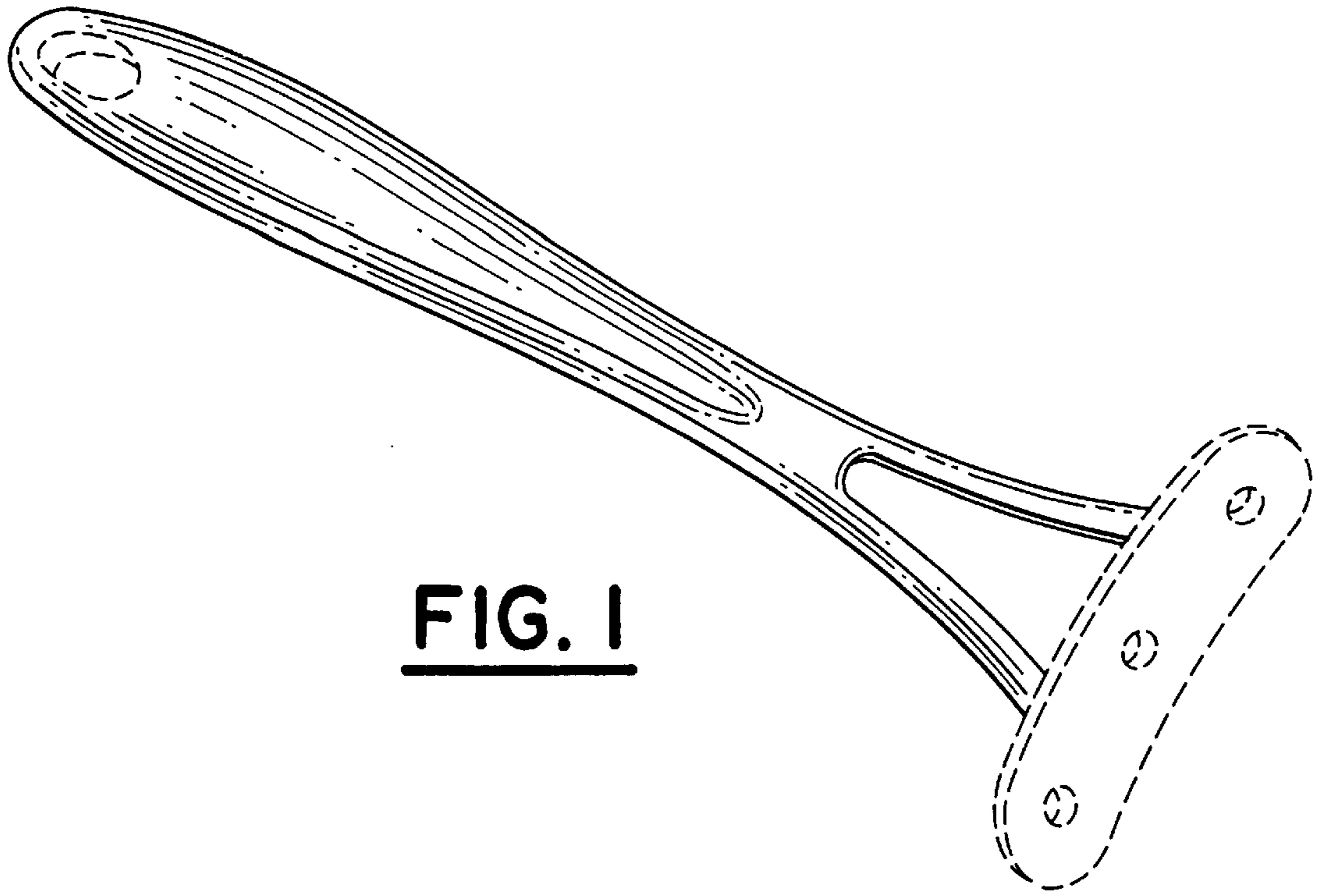


FIG. 1

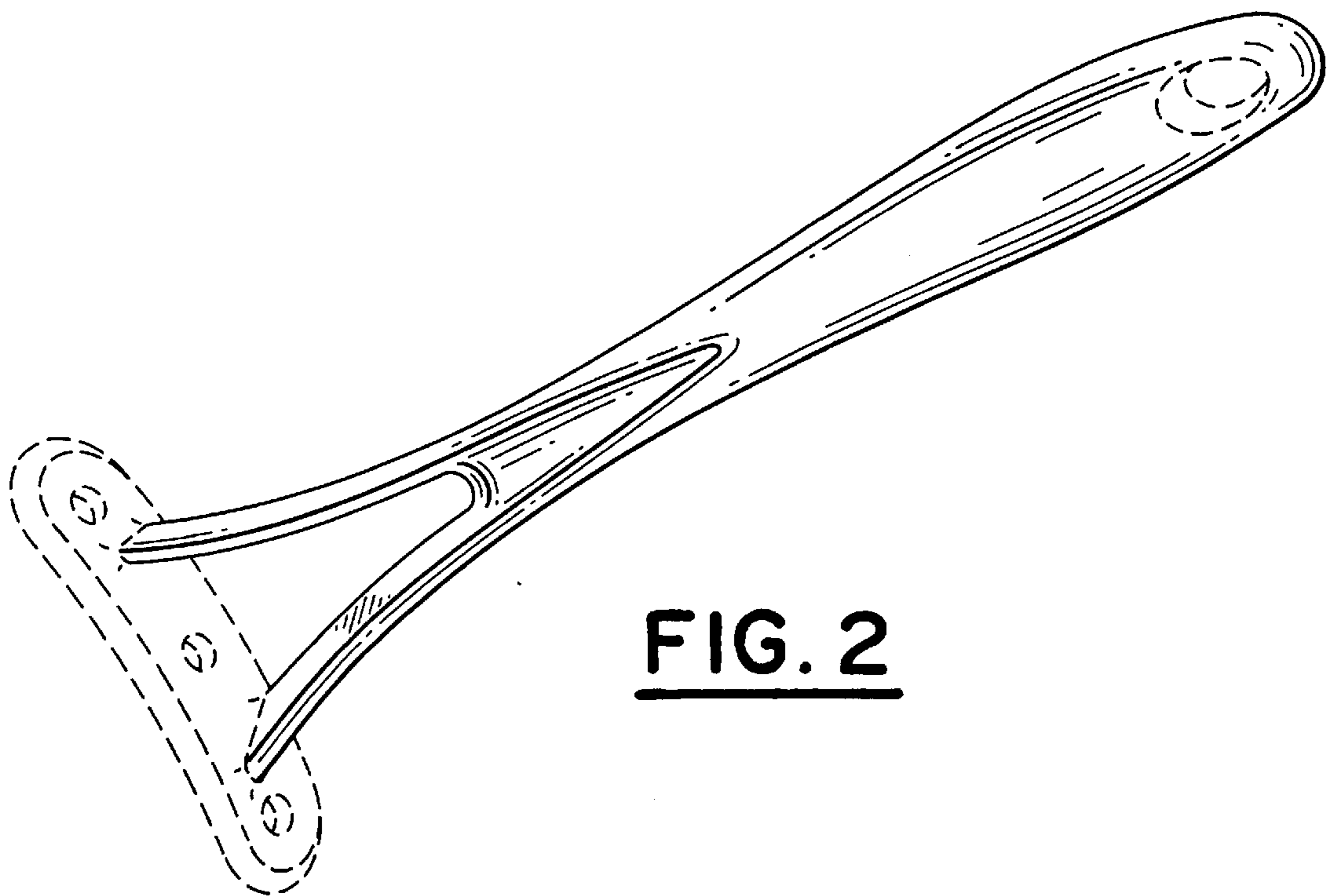
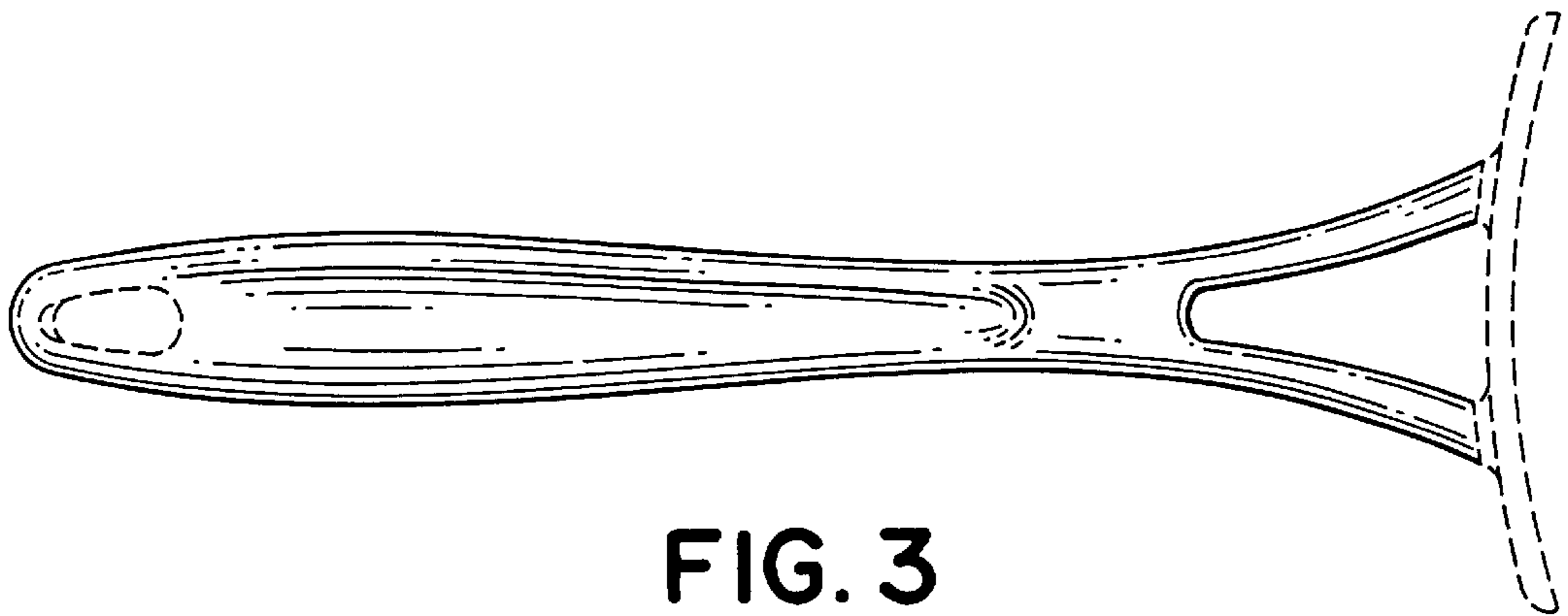
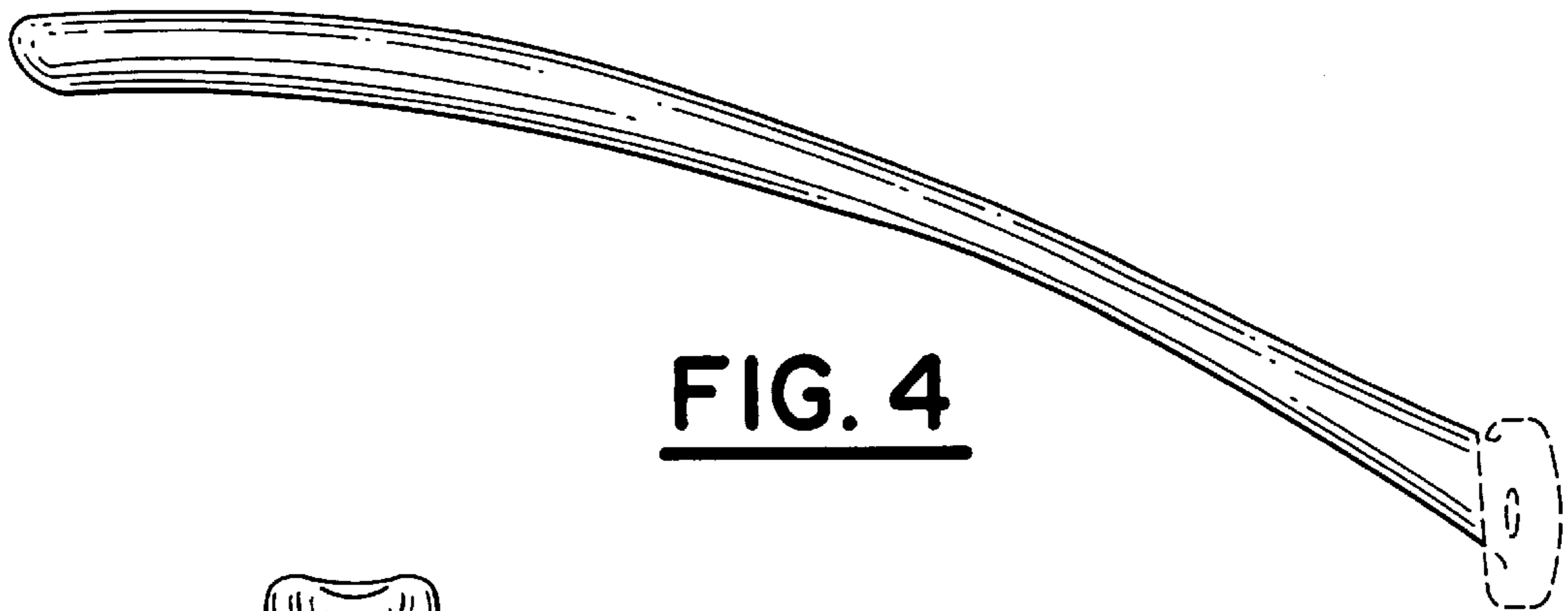


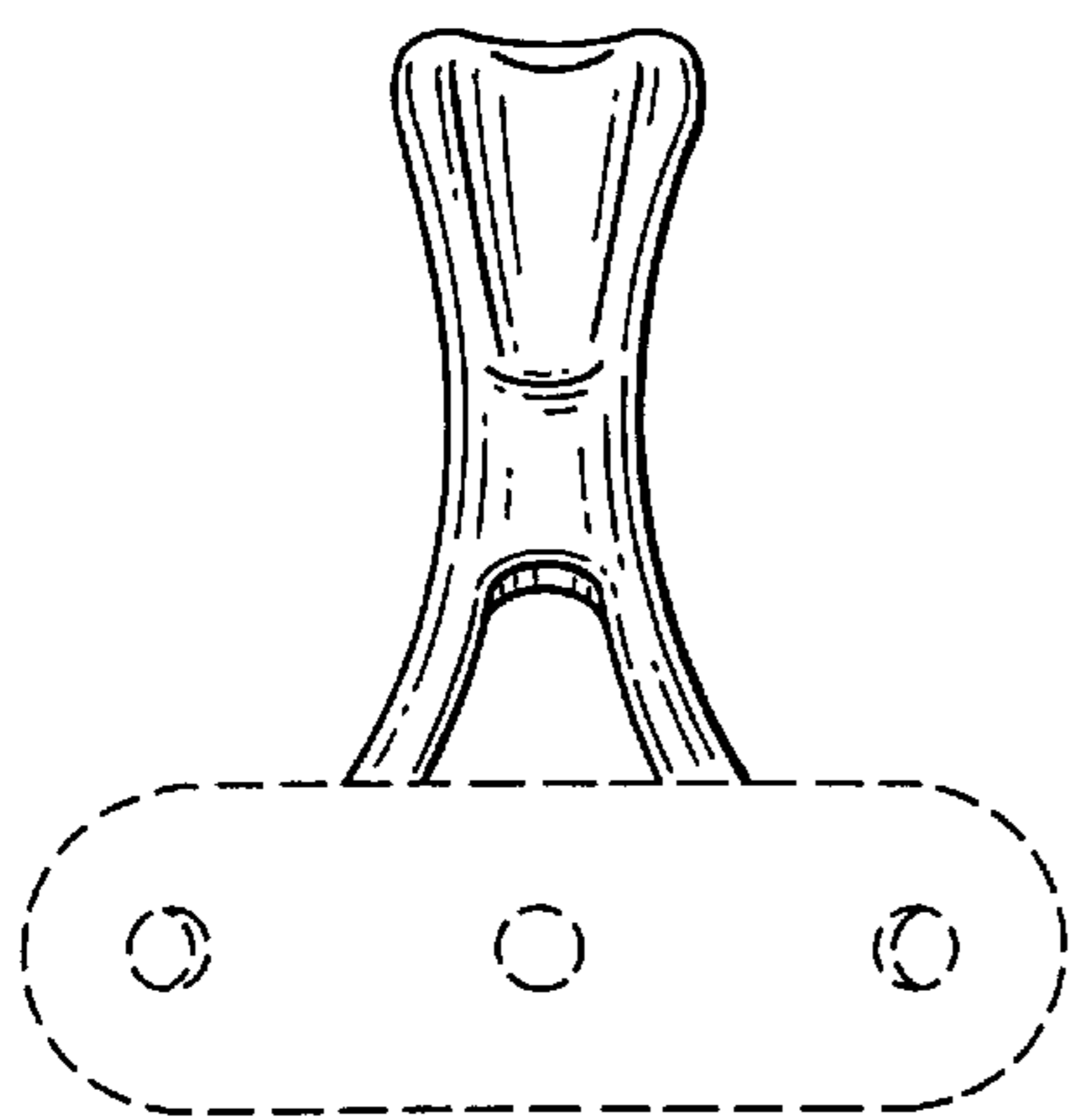
FIG. 2



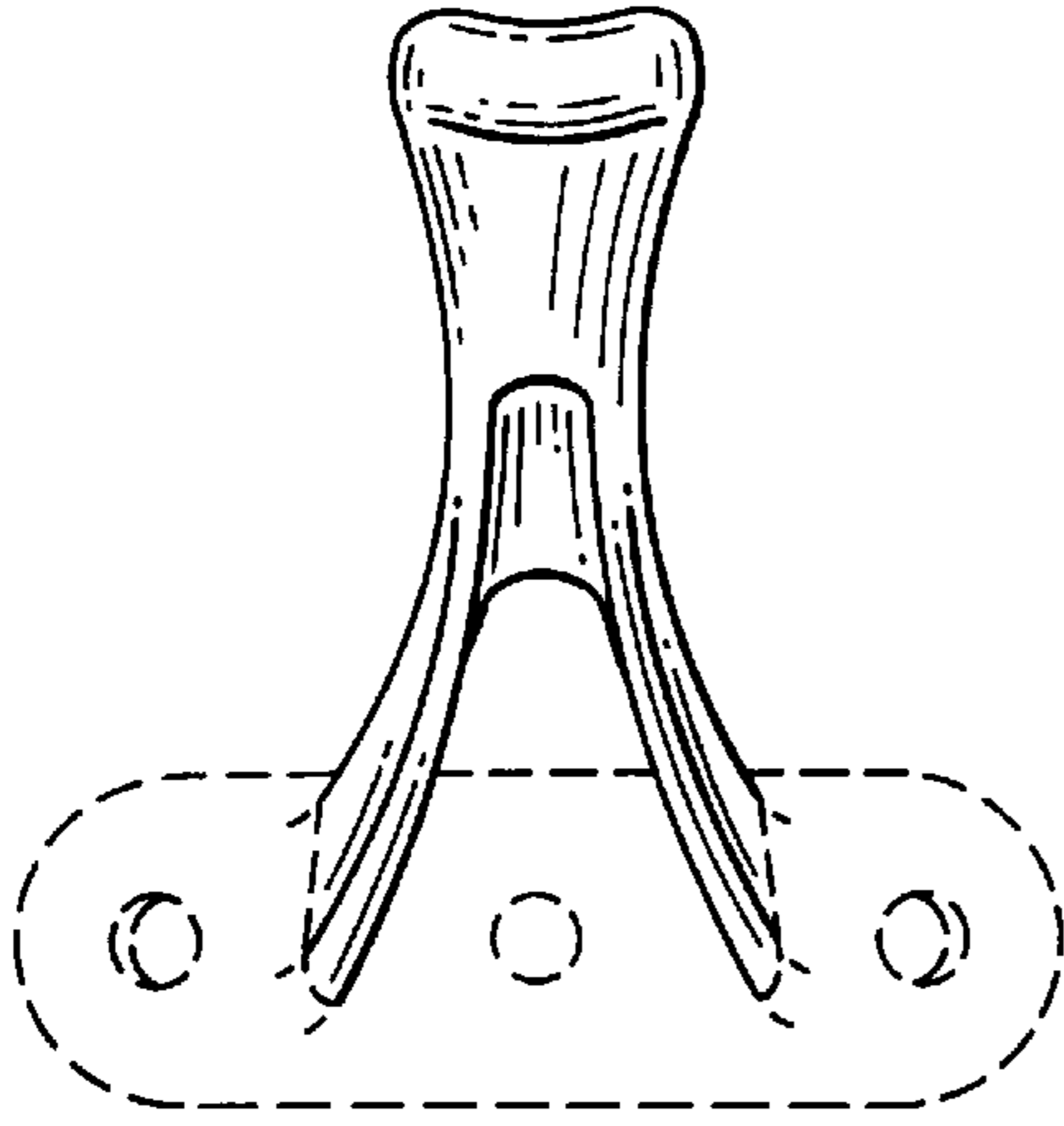
**FIG. 3**



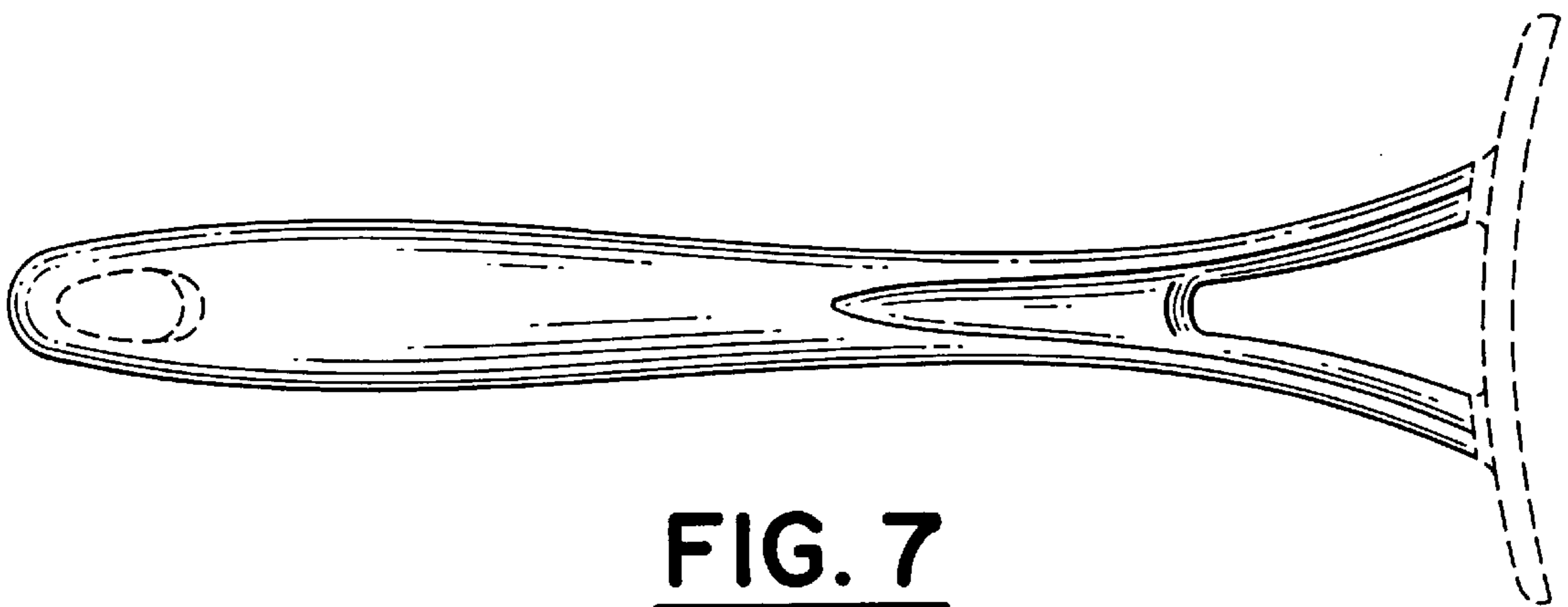
**FIG. 4**



**FIG. 5**



**FIG. 6**



**FIG. 7**