



US00D407599S

United States Patent [19]

Mohrhauser et al.

[11] Patent Number: Des. 407,599

[45] Date of Patent: **Apr. 6, 1999

[54] ERGONOMIC HANDLE FOR A KITCHEN UTENSIL

[75] Inventors: Jean Mohrhauser; Stephen R. Horvath, both of Racine, Wis.

[73] Assignee: Versa Technologies, Inc., Racine, Wis.

[**] Term: 14 Years

[21] Appl. No.: 70,535

[22] Filed: May 9, 1997

[51] LOC (6) Cl. 07-02

[52] U.S. Cl. D7/395; D7/688

[58] Field of Search D7/401.2, 395, D7/683-696, 642-664; 15/143.1, 236.01, 245, 245.1; 16/110 R, 114 A, DIG. 18, DIG. 19; 30/322-328

[56] References Cited

U.S. PATENT DOCUMENTS

824,473 6/1906 Foskett 15/245
5,491,869 2/1996 Sullivan et al. .

OTHER PUBLICATIONS

Chef's Catalog, Insert, Spatula #5179, Nov. 26, 1996.
Sears Great Kitchens Catalog, p. 8 spatula (A), Oct. 1, 1996.

Primary Examiner—Terry A. Wallace

Attorney, Agent, or Firm—Quarles & Brady

[57] CLAIM

The ornamental design of an ergonomic handle for a kitchen utensil, as shown and described.

DESCRIPTION

FIG. 1 is a top plan view of an ergonomic handle for a kitchen utensil incorporating my new design, wherein the phantom lines illustrate environment and form no part of the claimed design;

FIG. 2 is a side elevation view thereof;

FIG. 3 is a left end elevation view thereof;

FIG. 4 is a right end elevation view thereof;

FIG. 5 is a section view taken along line 5—5 of FIG. 2;

FIG. 6 is a section view taken along line 6—6 of FIG. 2;

FIG. 7 is a section view taken along line 7—7 of FIG. 2;

FIG. 8 is a section view taken along line 8—8 of FIG. 2;

FIG. 9 is a section view taken along line 9—9 of FIG. 2;

FIG. 10 is a section view taken along line 10—10 of FIG. 2;

FIG. 11 is a section view taken along line 11—11 of FIG. 2;

and,

FIG. 12 is a section view taken along line 12—12 of FIG. 2.

1 Claim, 1 Drawing Sheet

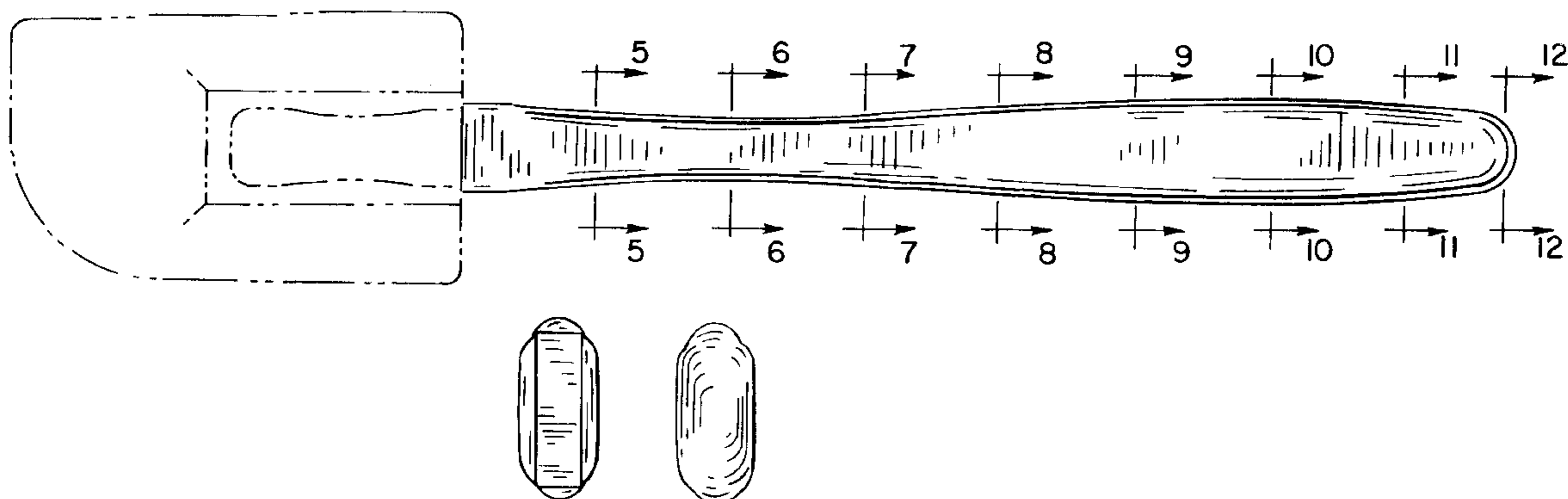


FIG. 1

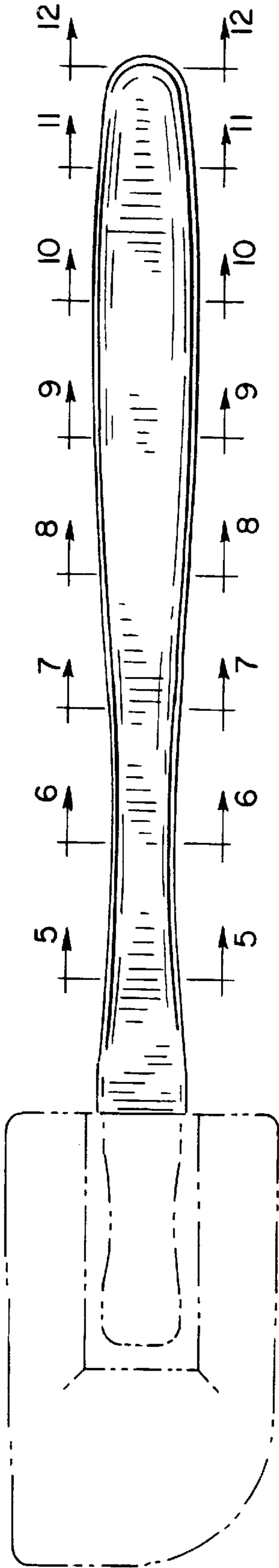
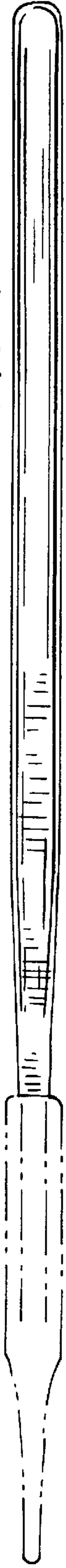


FIG. 2

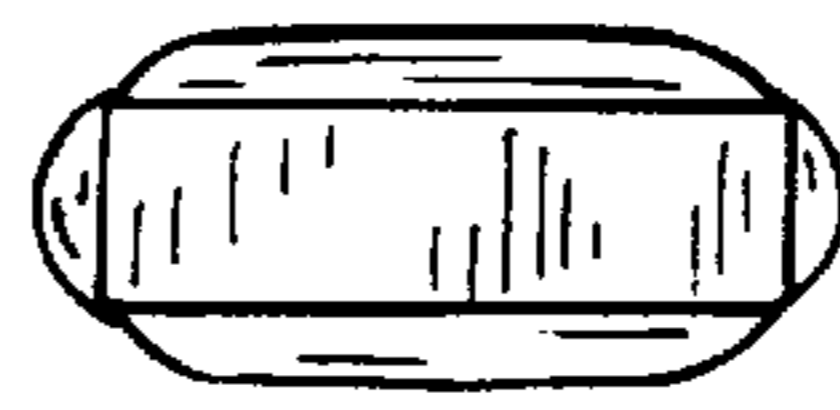


FIG. 3



FIG. 4



FIG. 5



FIG. 6



FIG. 7



FIG. 8



FIG. 9



FIG. 10

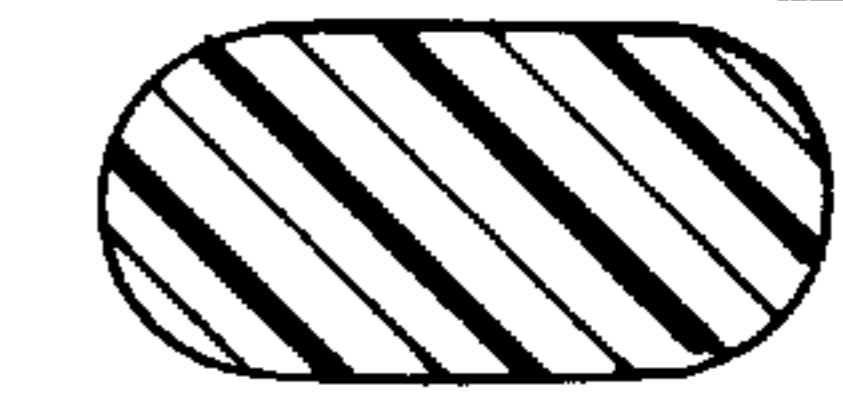


FIG. 11



FIG. 12