



US00D407598S

United States Patent [19]

[11] **Patent Number:** **Des. 407,598**

Deni et al.

[45] **Date of Patent:** ****Apr. 6, 1999**

[54] **ELECTRIC GRILL**

Attorney, Agent, or Firm—James J. Ralabate

[75] Inventors: **Leonard A. Deni; Joseph A. Deni,**
both of East Amherst, N.Y.

[57] **CLAIM**

The ornamental design for an electric grill, as shown and described.

[73] Assignee: **Keystone Manufacturing Co., Inc.,**
Buffalo, N.Y.

DESCRIPTION

[**] Term: **14 Years**

FIG. 1 is a top prospective view of the electric grill showing our new design;

[21] Appl. No.: **87,168**

FIG. 2 is a rear plan view of the electric grill showing our new design;

[22] Filed: **Apr. 28, 1998**

FIG. 3 is a bottom plan view of the electric grill showing our new design;

[51] **LOC (6) Cl.** **07-02**

[52] **U.S. Cl.** **D7/352; D7/337**

FIG. 4 is a side perspective view of the electric grill showing our new design;

[58] **Field of Search** **D7/352, 323, 337;**
99/372, 374, 375, 380, 382; 219/524, 525

FIG. 5 is a top perspective view of the open electric grill showing our new design;

[56] **References Cited**

U.S. PATENT DOCUMENTS

D. 347,548	6/1994	Boehm et al.	D7/352
D. 367,993	3/1996	McClean	D7/352
D. 379,733	6/1997	Liu et al.	D7/337
D. 389,372	1/1998	Saltet	D7/352

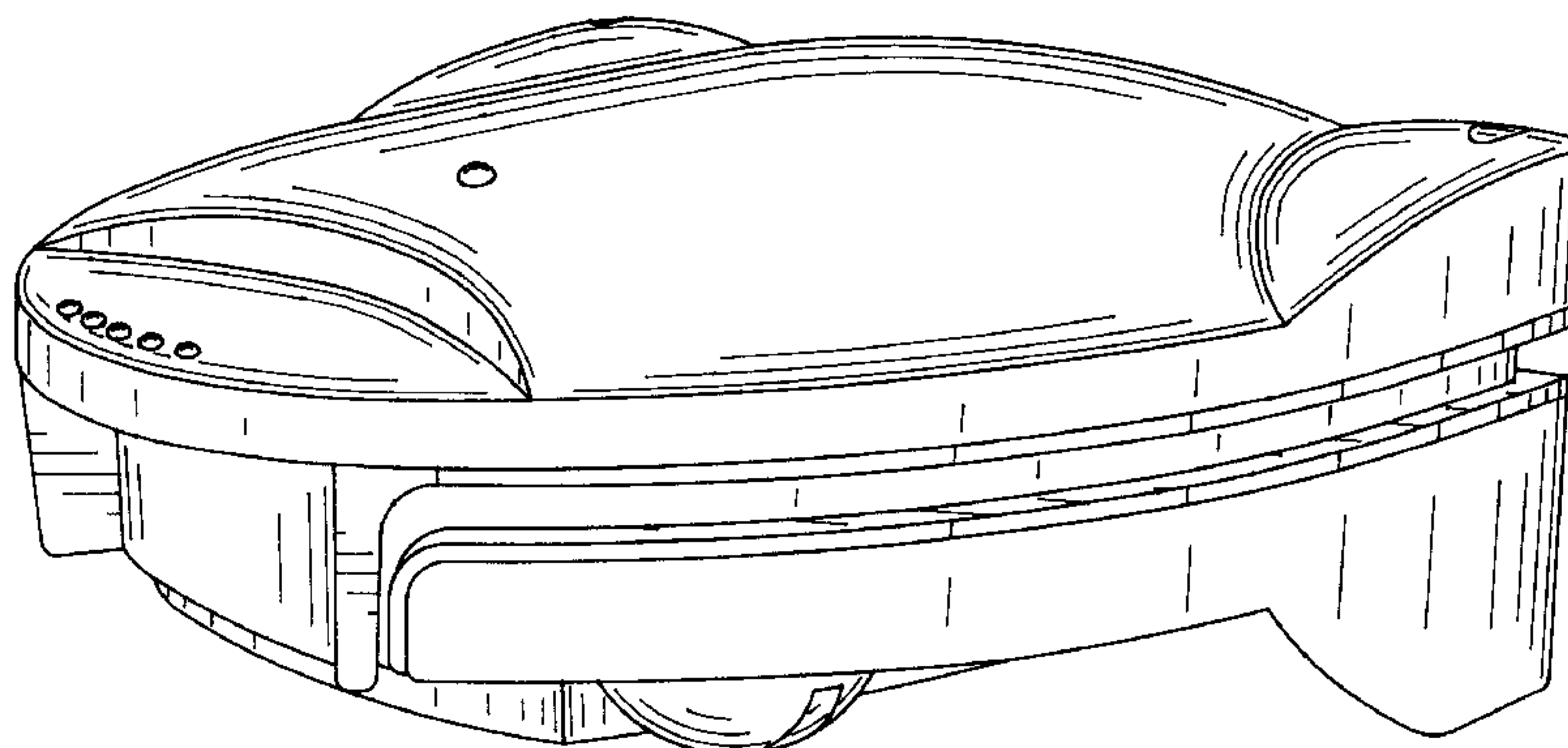
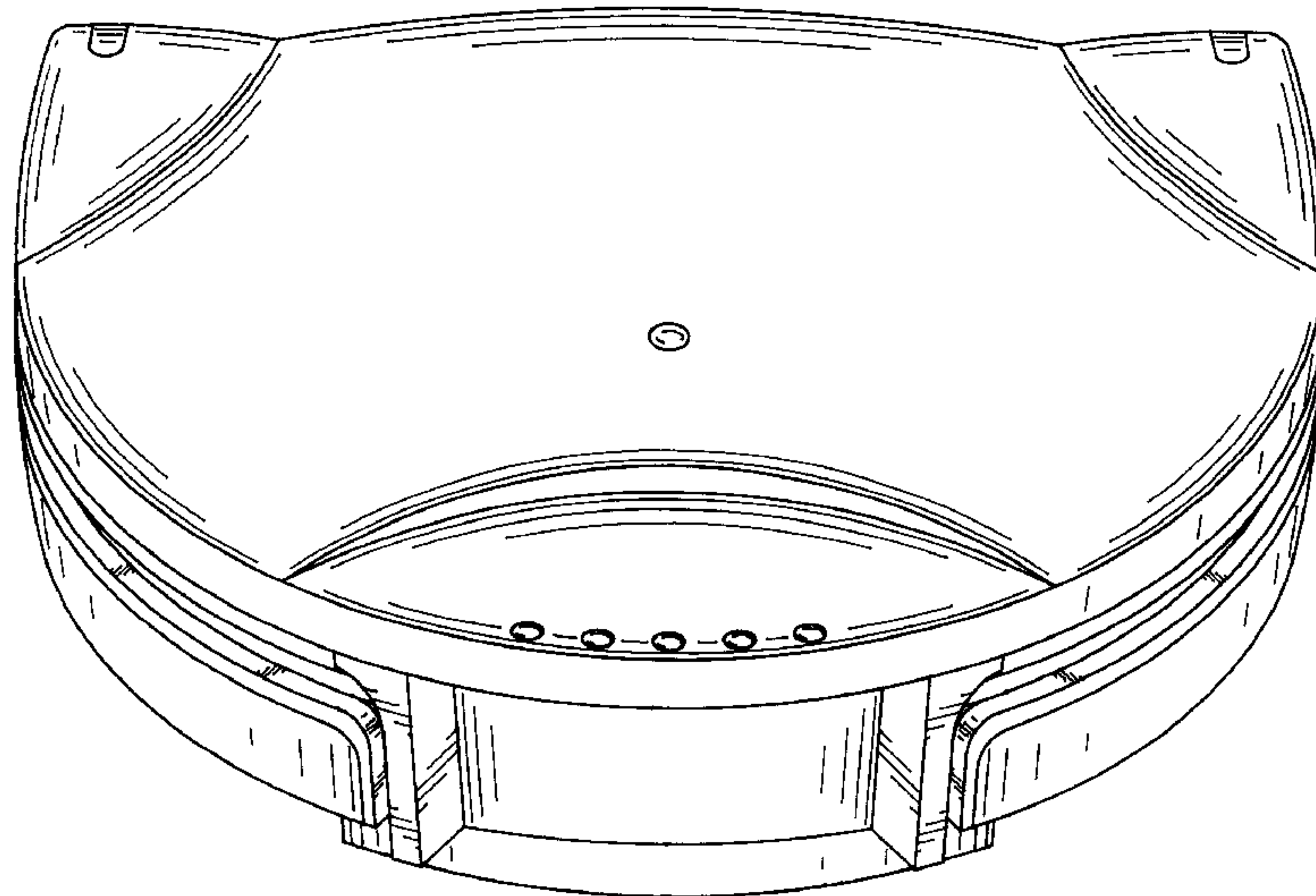
FIG. 6 is a side perspective view of the open electric grill showing our new design;

FIG. 7 is a front perspective view of the closed electric grill showing our new design; and,

FIG. 8 is a side elevation view of the electric grill showing the opposite side of FIG. 4.

Primary Examiner—Caron D. Veynar

1 Claim, 8 Drawing Sheets



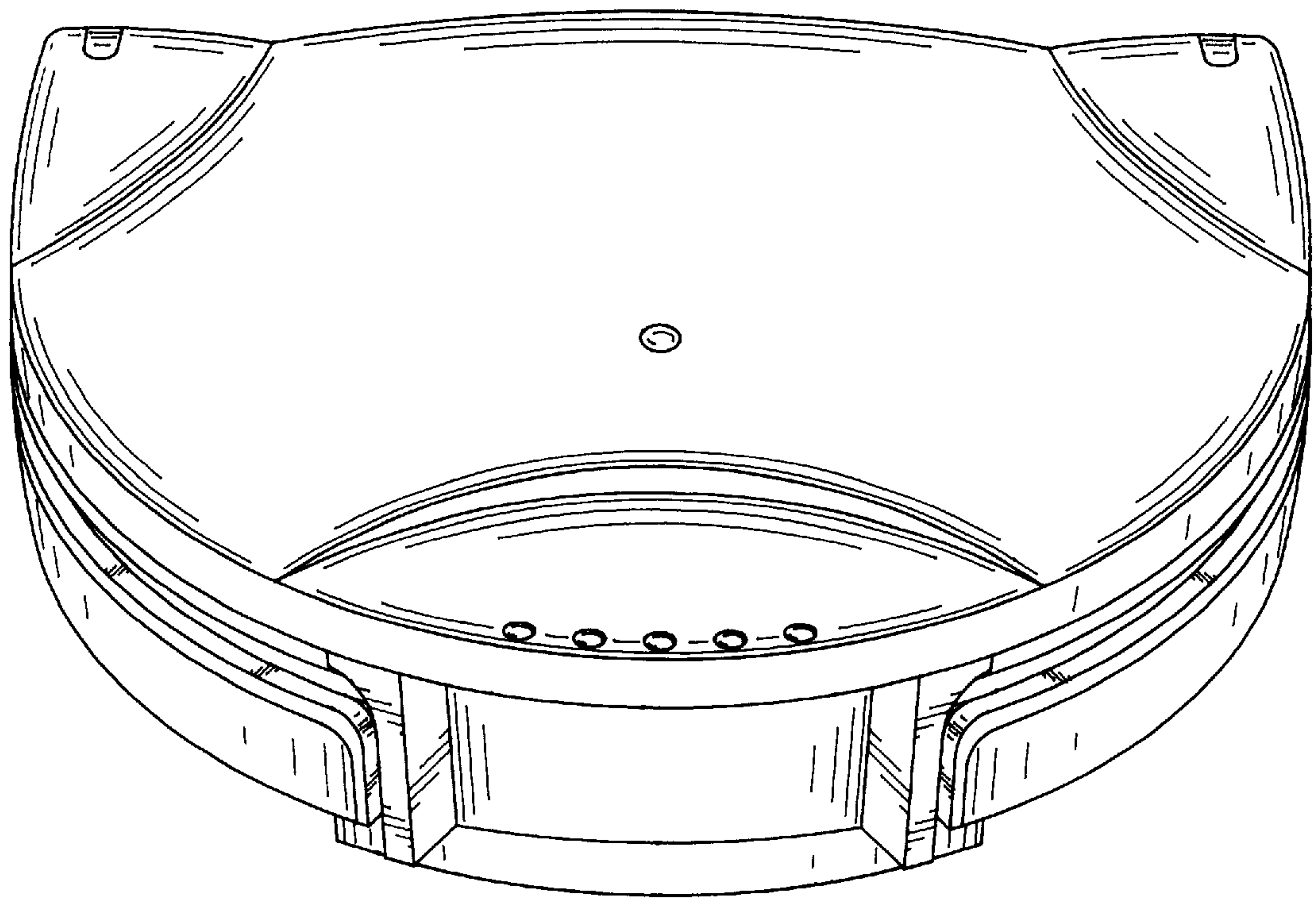


FIG. 1

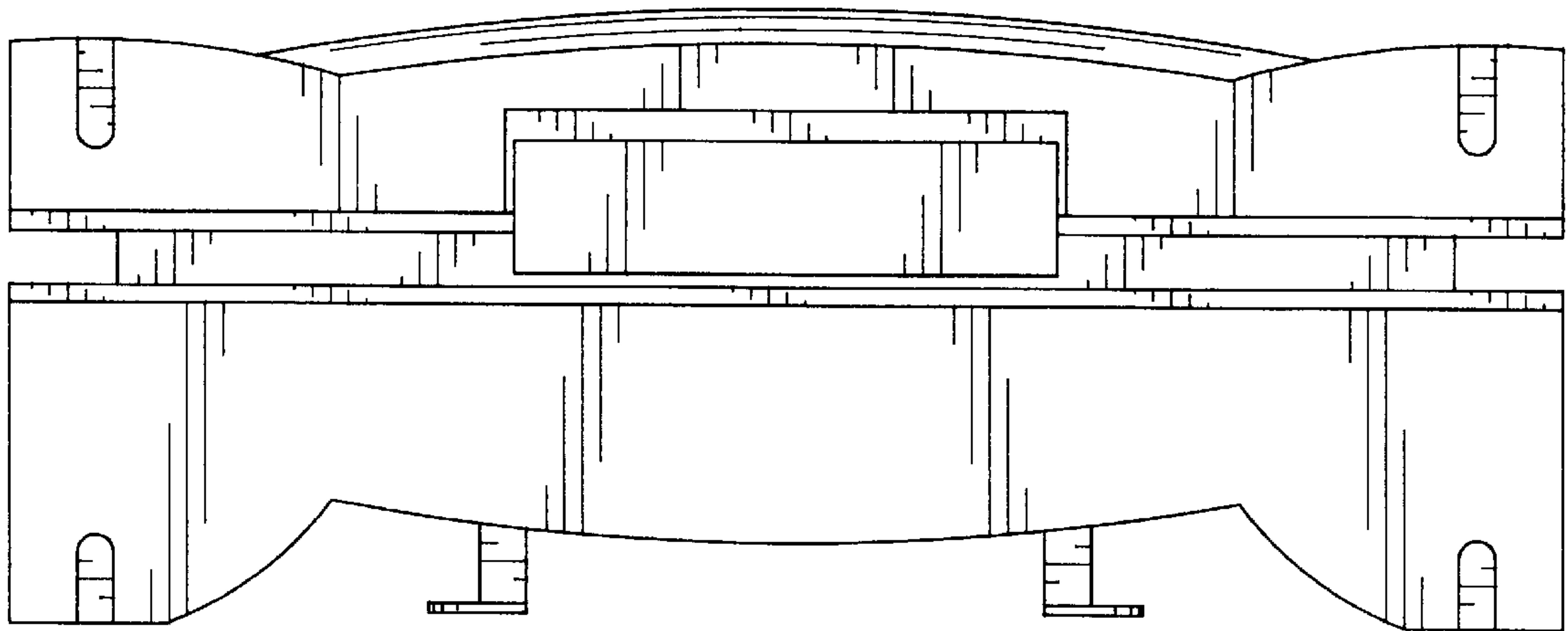


FIG. 2

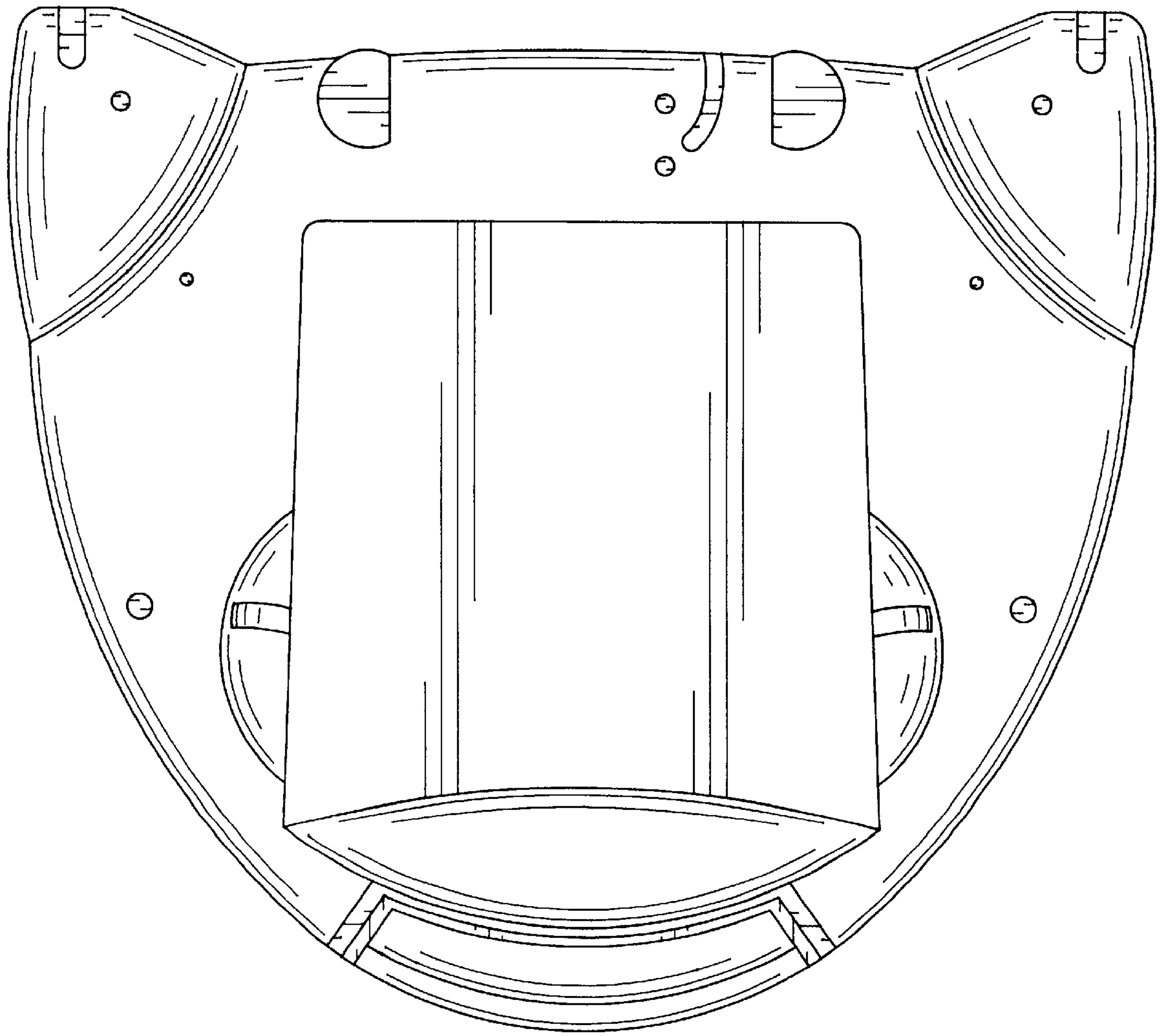


FIG. 3

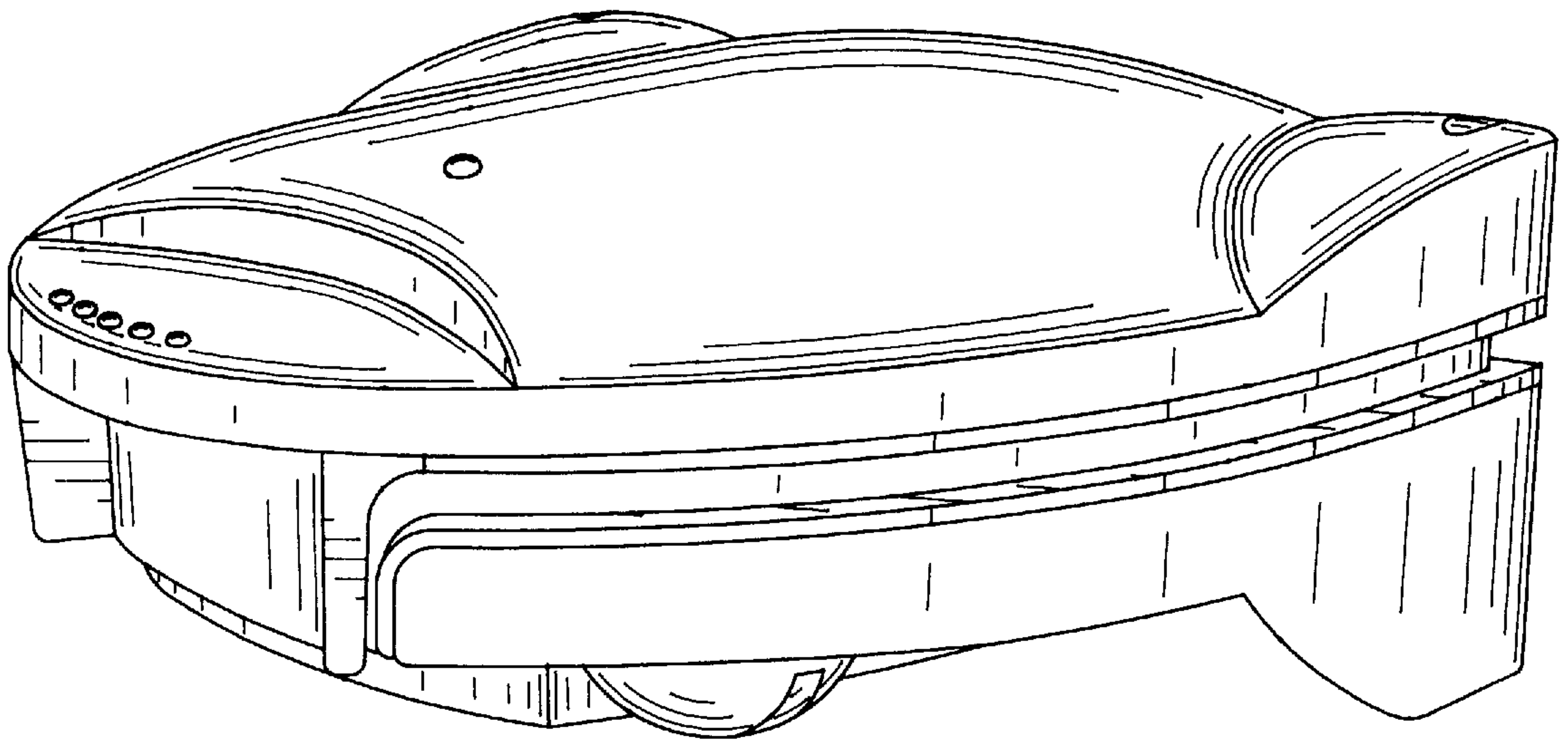


FIG. 4

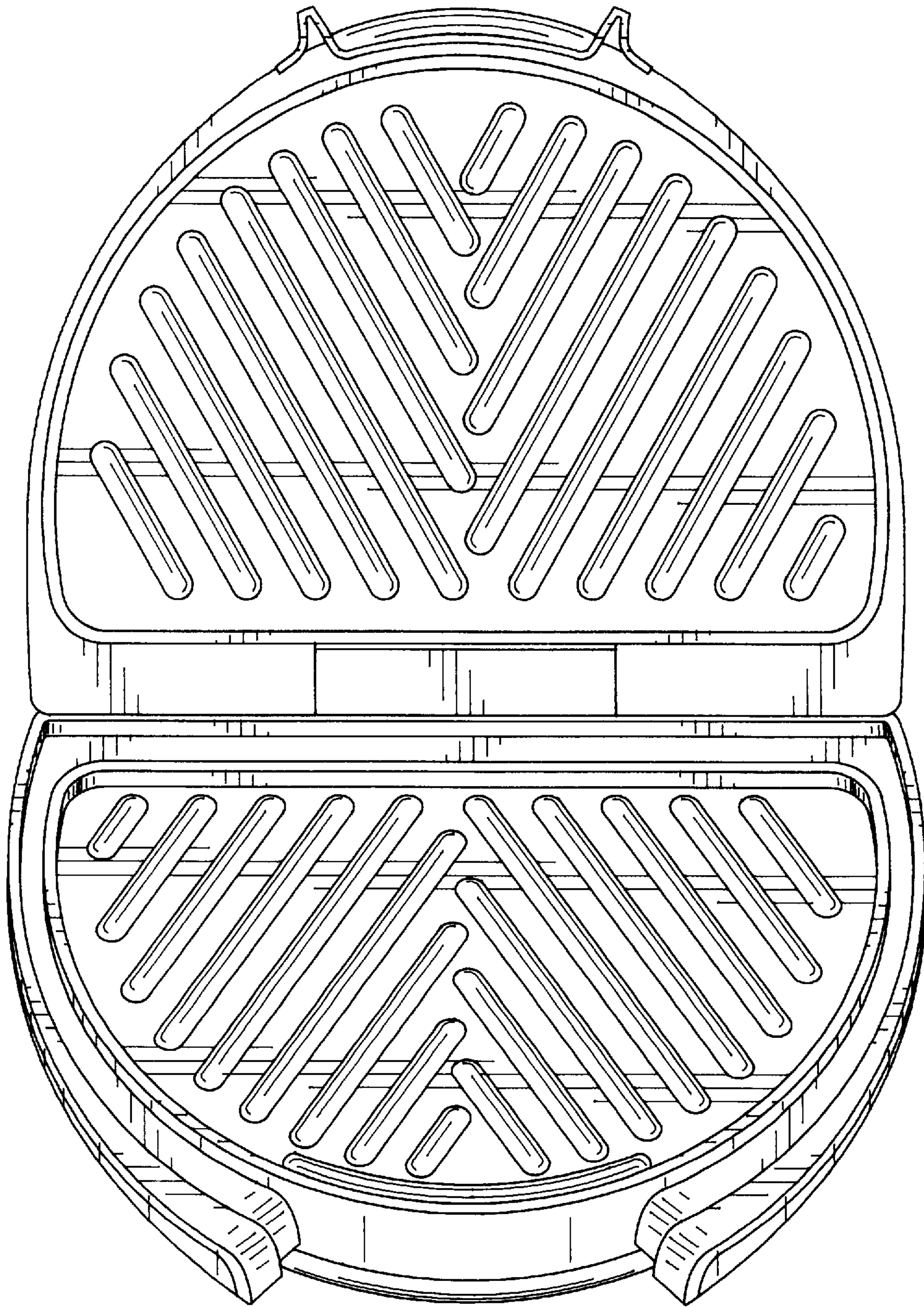


FIG. 5

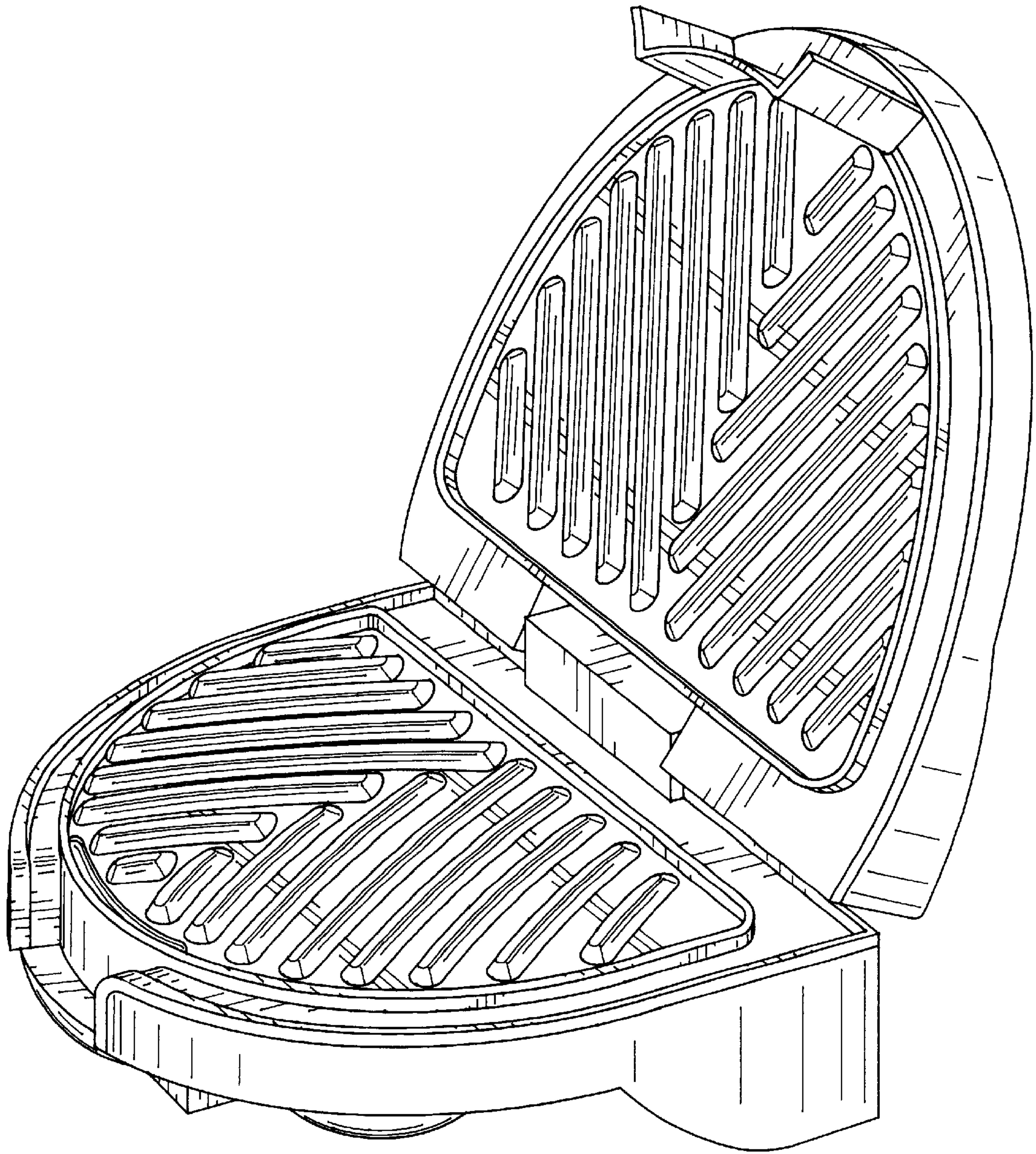


FIG. 6

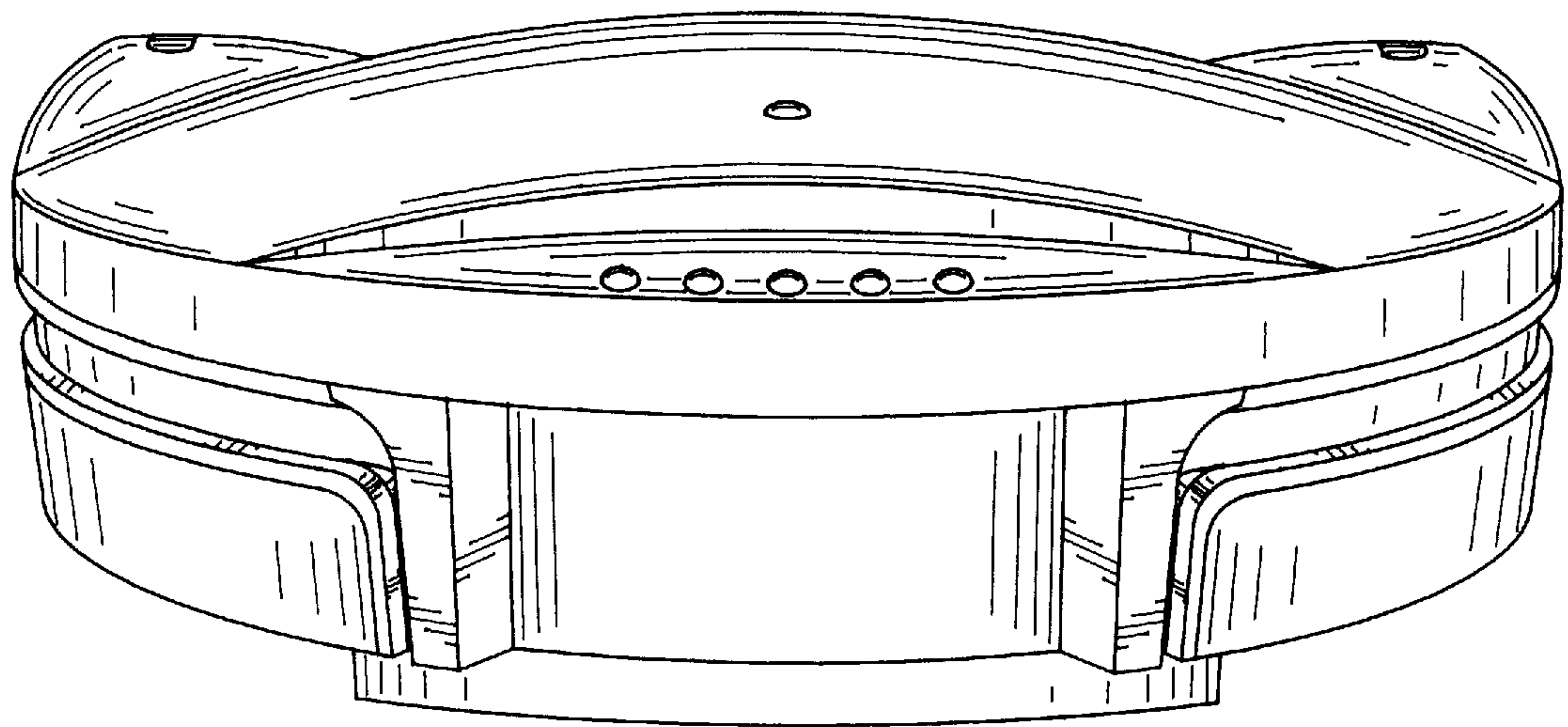


FIG. 7

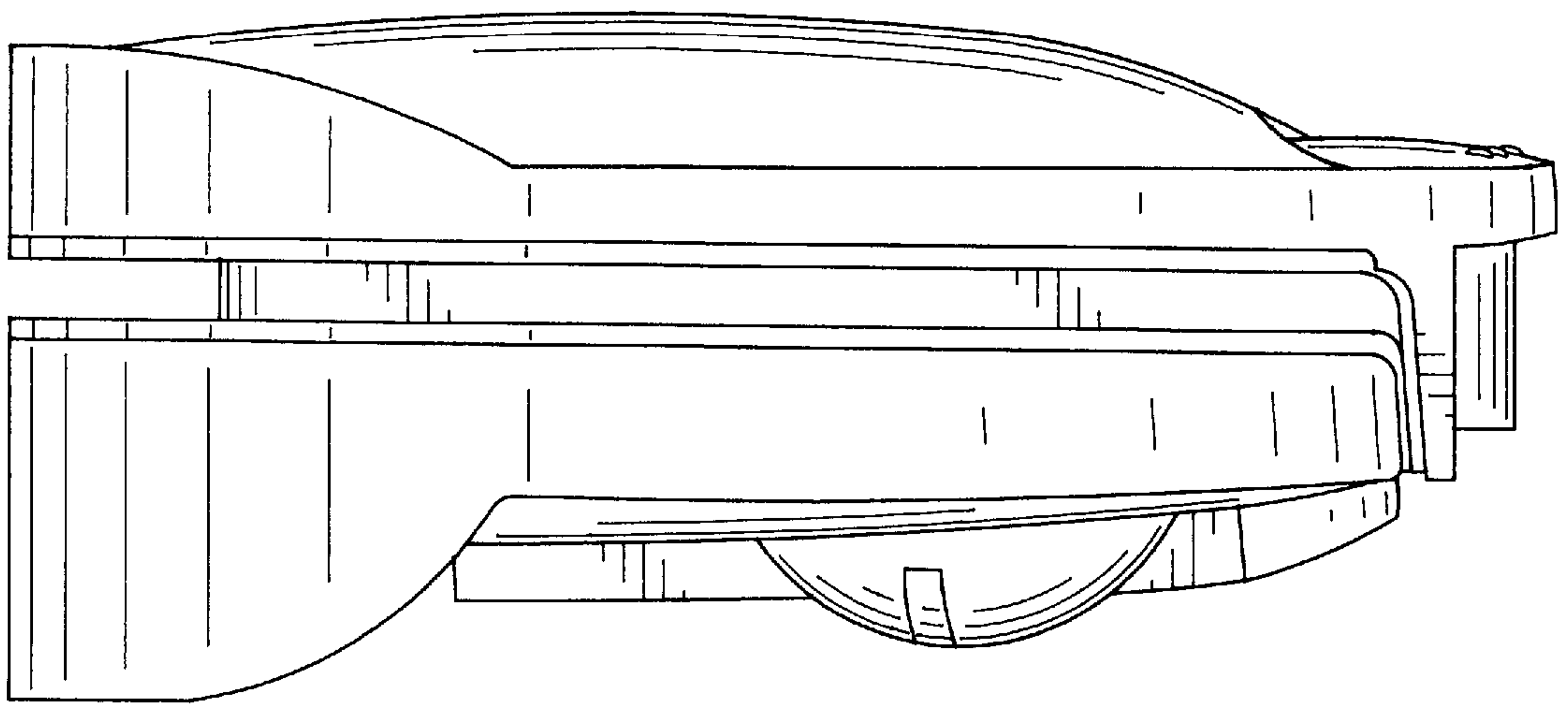


FIG. 8