



US00D407595S

# United States Patent [19]

Hsu

[11] Patent Number: **Des. 407,595**

[45] Date of Patent: **\*\*Apr. 6, 1999**

[54] **COFFEE MAKER**

[75] Inventor: **Tony Hsu, Yung Kang, Taiwan**

[73] Assignee: **Lundar Electric Industrial Co., Ltd., Tainan Hsien, Taiwan**

[\*\*] Term: **14 Years**

[21] Appl. No.: **90,752**

[22] Filed: **Jul. 15, 1998**

[51] **LOC (6) Cl.** ..... **07-01**

[52] **U.S. Cl.** ..... **D7/309; D7/310; D7/311**

[58] **Field of Search** ..... **D7/309, 310, 311, D7/300, 312; 99/293, 295**

[56] **References Cited**

**U.S. PATENT DOCUMENTS**

D. 331,347	12/1992	Dingelstad et al.	.....	D7/309
D. 344,656	3/1994	De Felip	.....	D7/309
D. 347,759	6/1994	De Felip	.....	D7/309
D. 354,878	1/1995	Lin	.....	D7/309

D. 355,562	2/1995	De Felip	.....	D7/309
D. 377,576	1/1997	Amiel	.....	D7/311 X
D. 387,245	12/1997	Hippen et al.	.....	D7/309 X
D. 390,060	2/1998	Seiffert	.....	D7/309

*Primary Examiner*—M. N. Pandozzi  
*Attorney, Agent, or Firm*—Rosenberg, Klein & Bilker

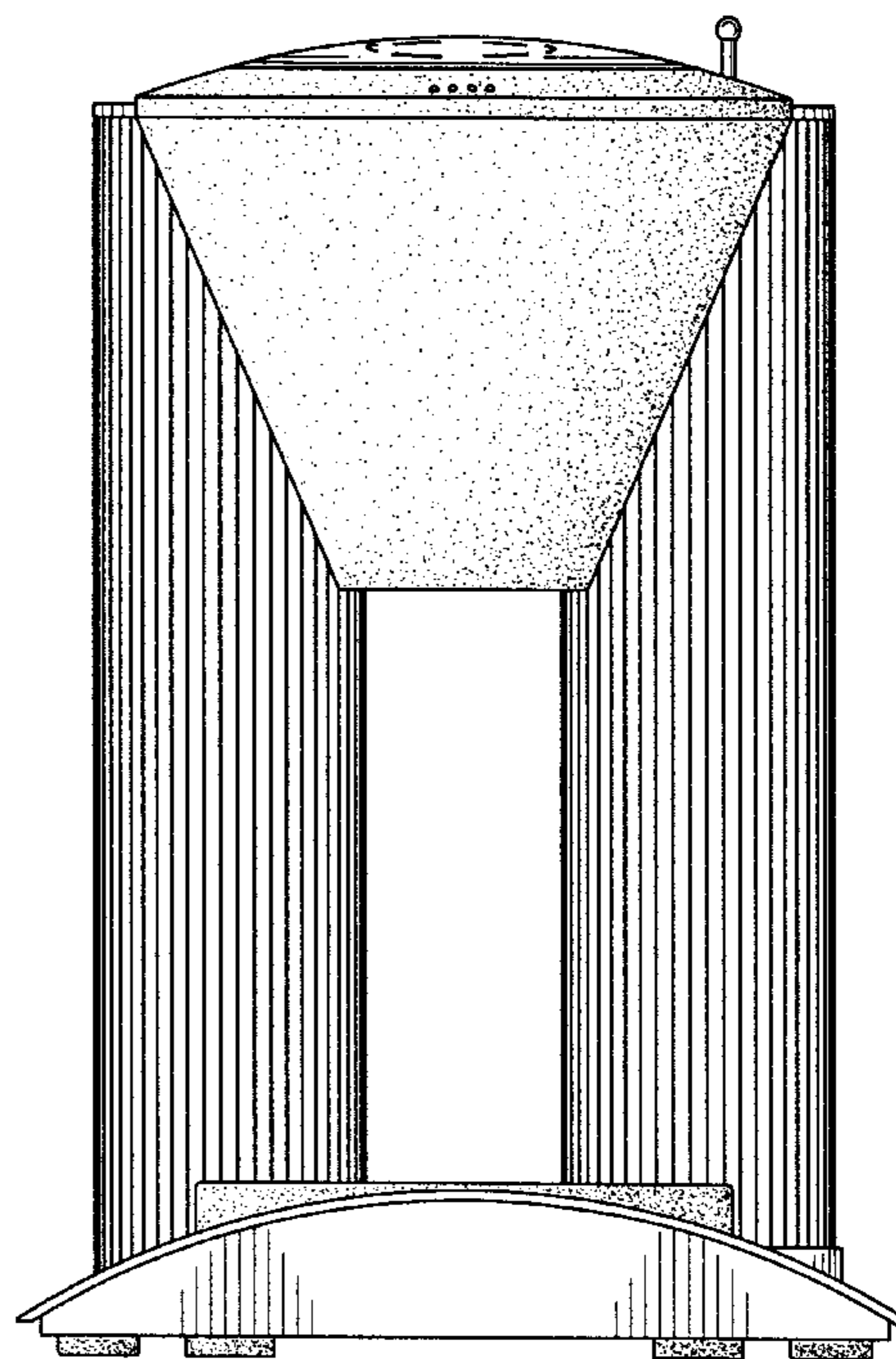
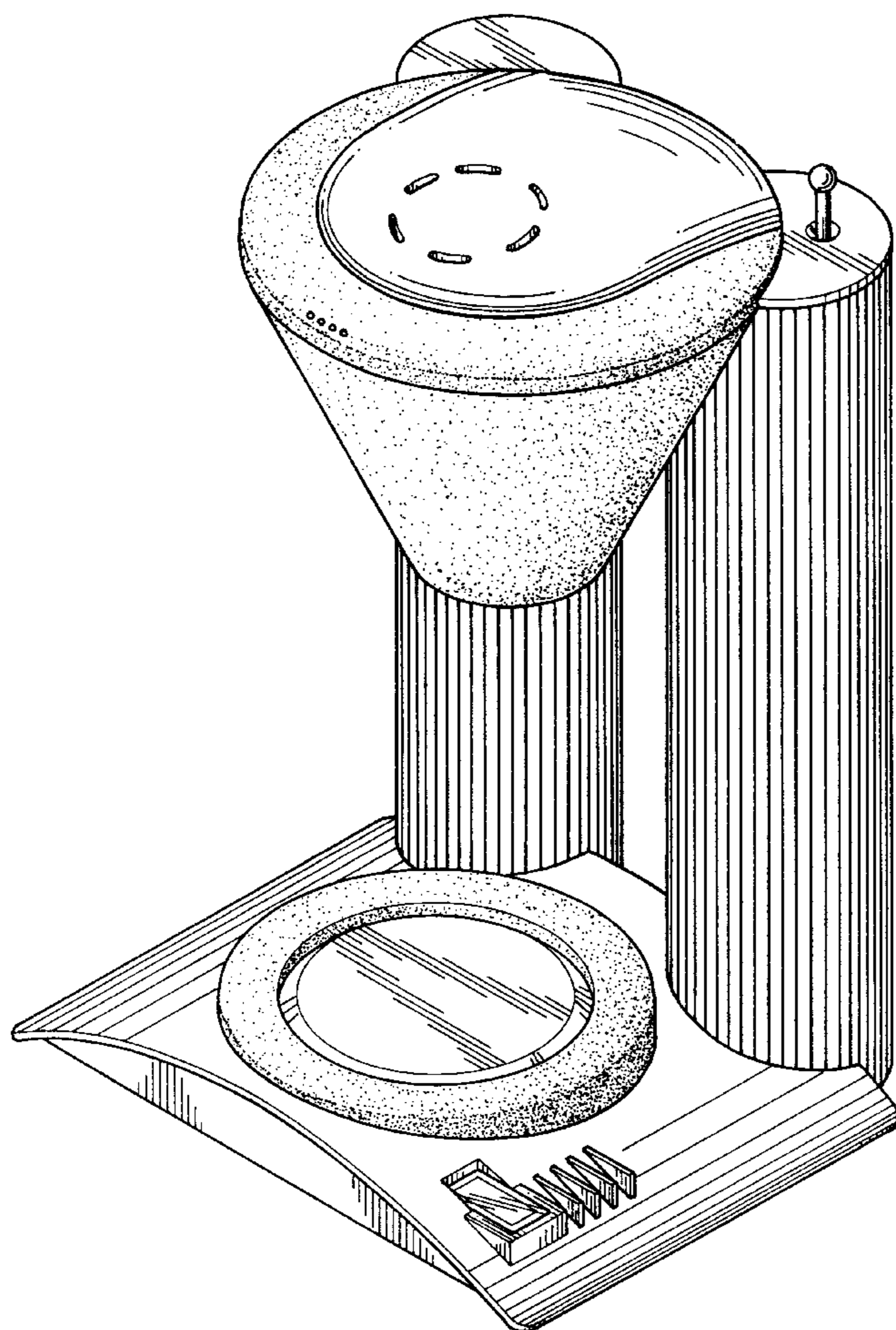
[57] **CLAIM**

The ornamental design for a coffee maker, as shown and described.

**DESCRIPTION**

FIG. 1 is a perspective view of a coffee maker showing my present design;  
FIG. 2 is a front view thereof;  
FIG. 3 is a rear view thereof;  
FIG. 4 is a left view thereof;  
FIG. 5 is a right view thereof;  
FIG. 6 is a top plan view thereof; and,  
FIG. 7 is a bottom plan view.

**1 Claim, 6 Drawing Sheets**



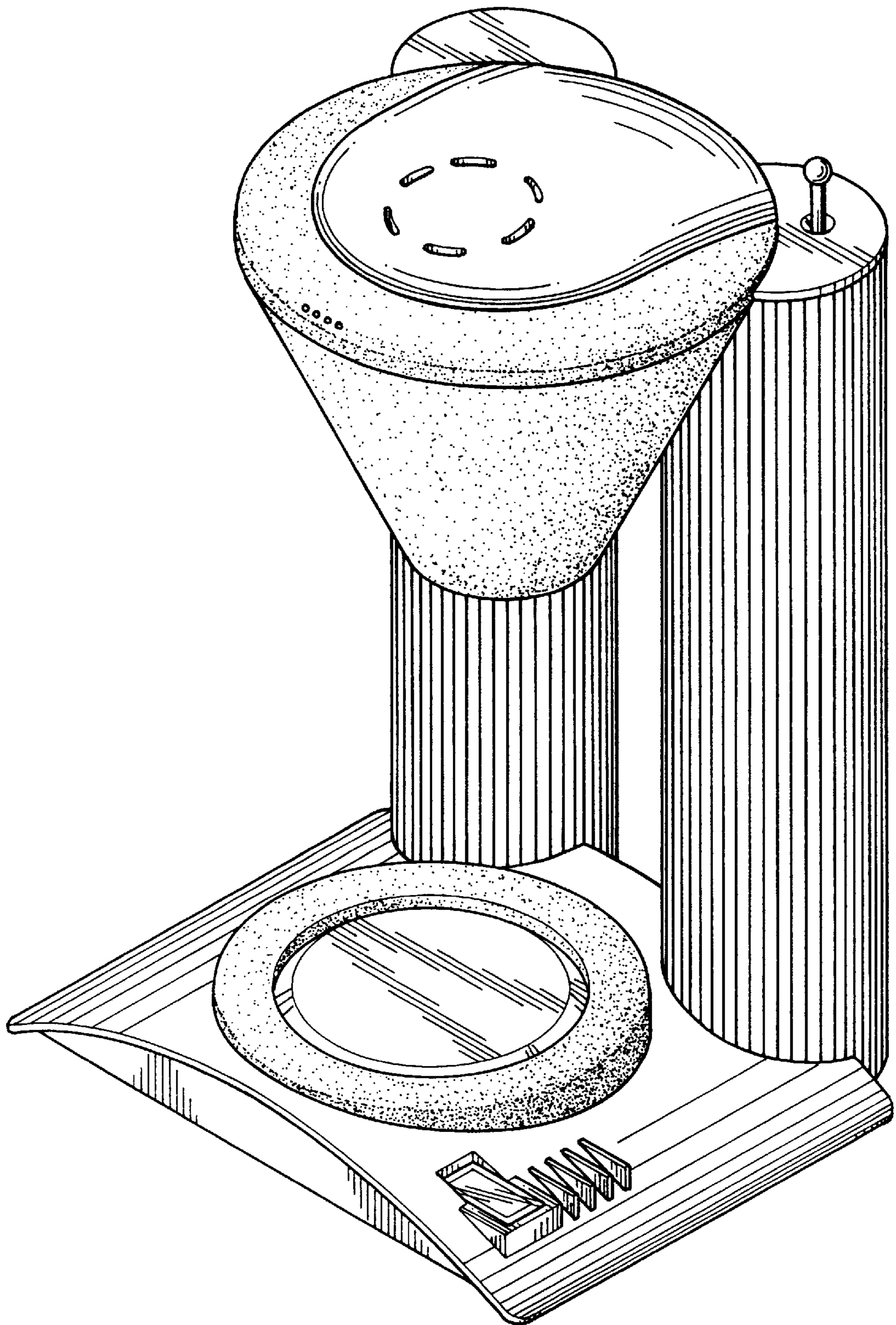


FIG. 1

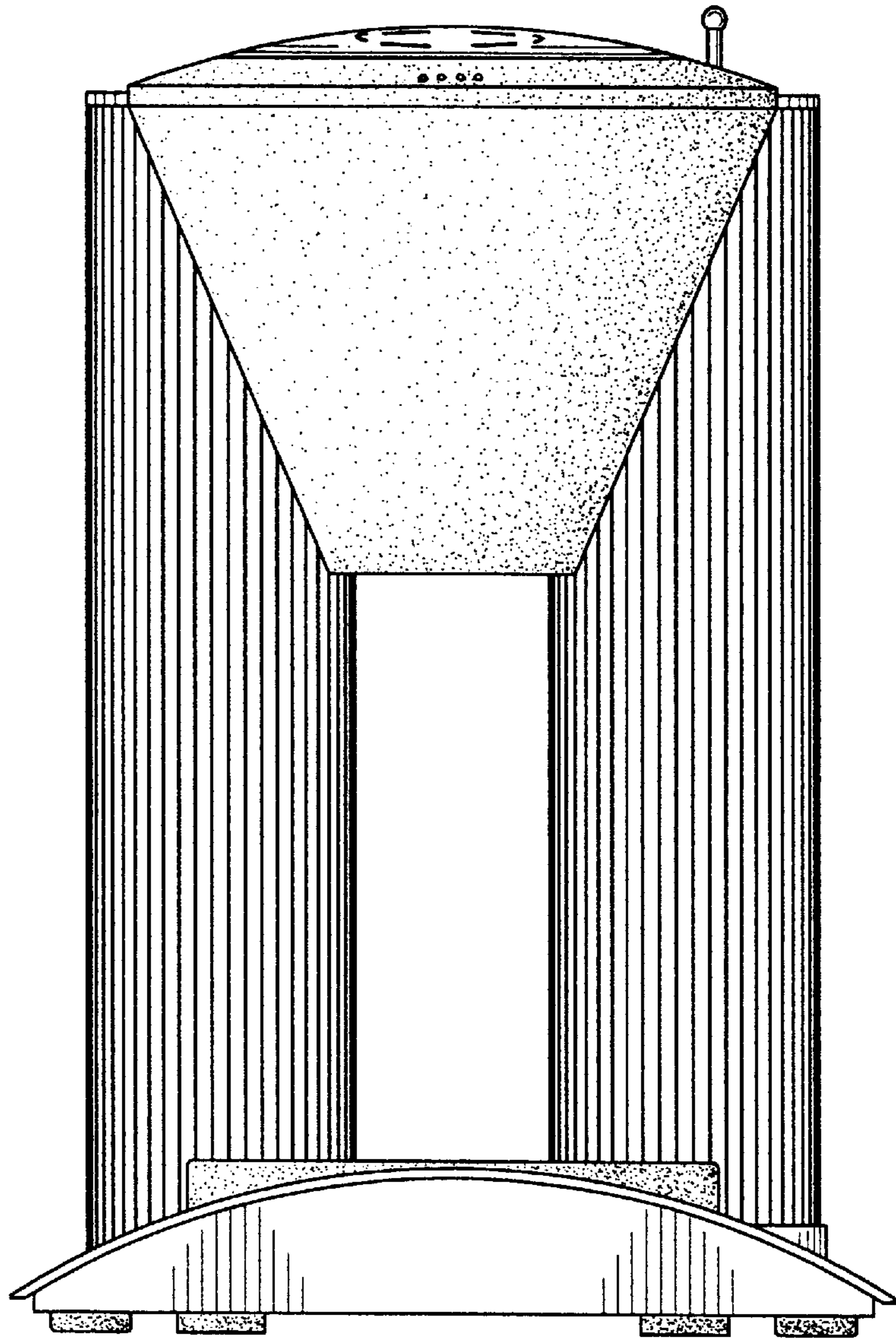
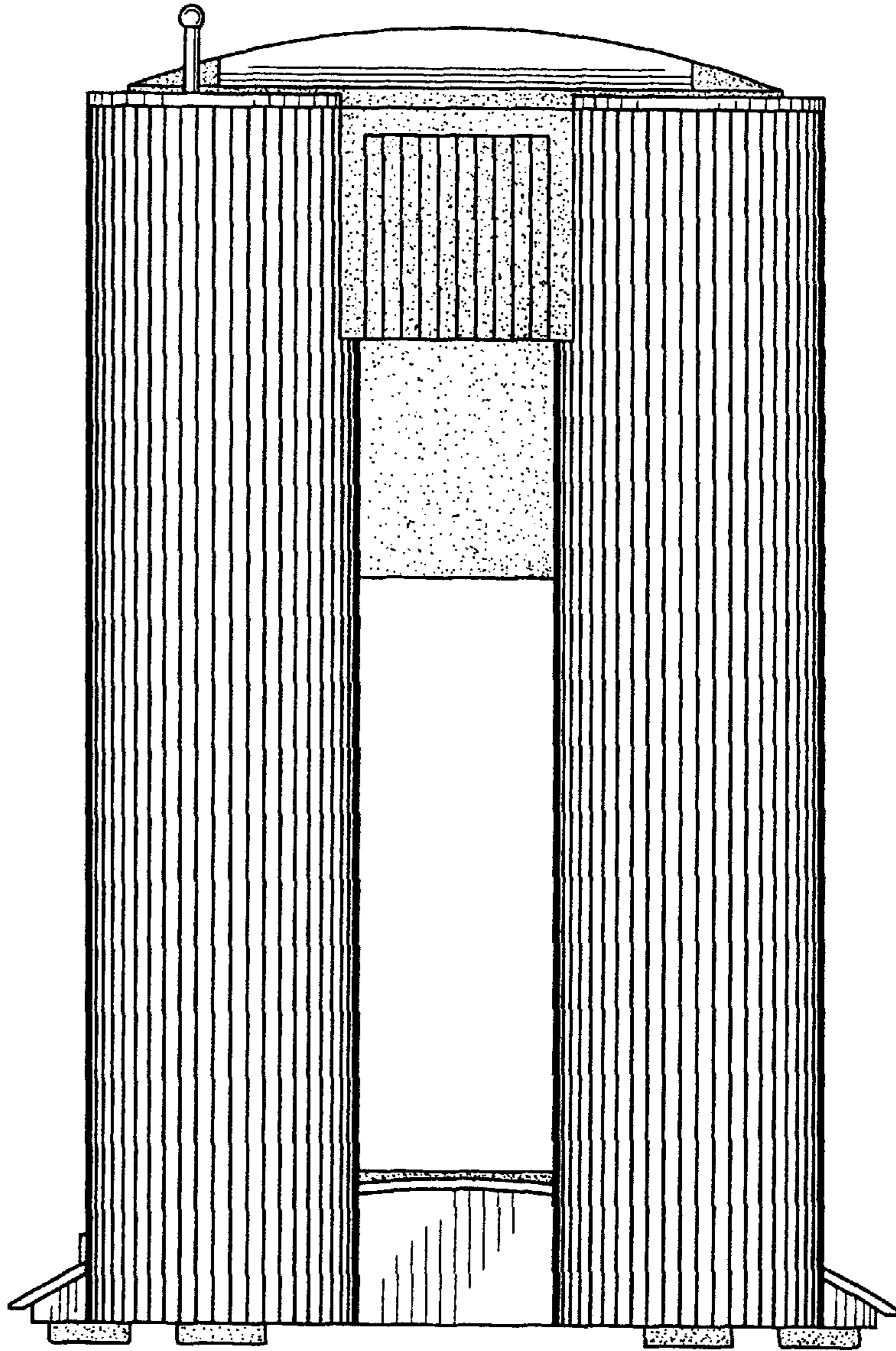


FIG. 2





F I G . 3

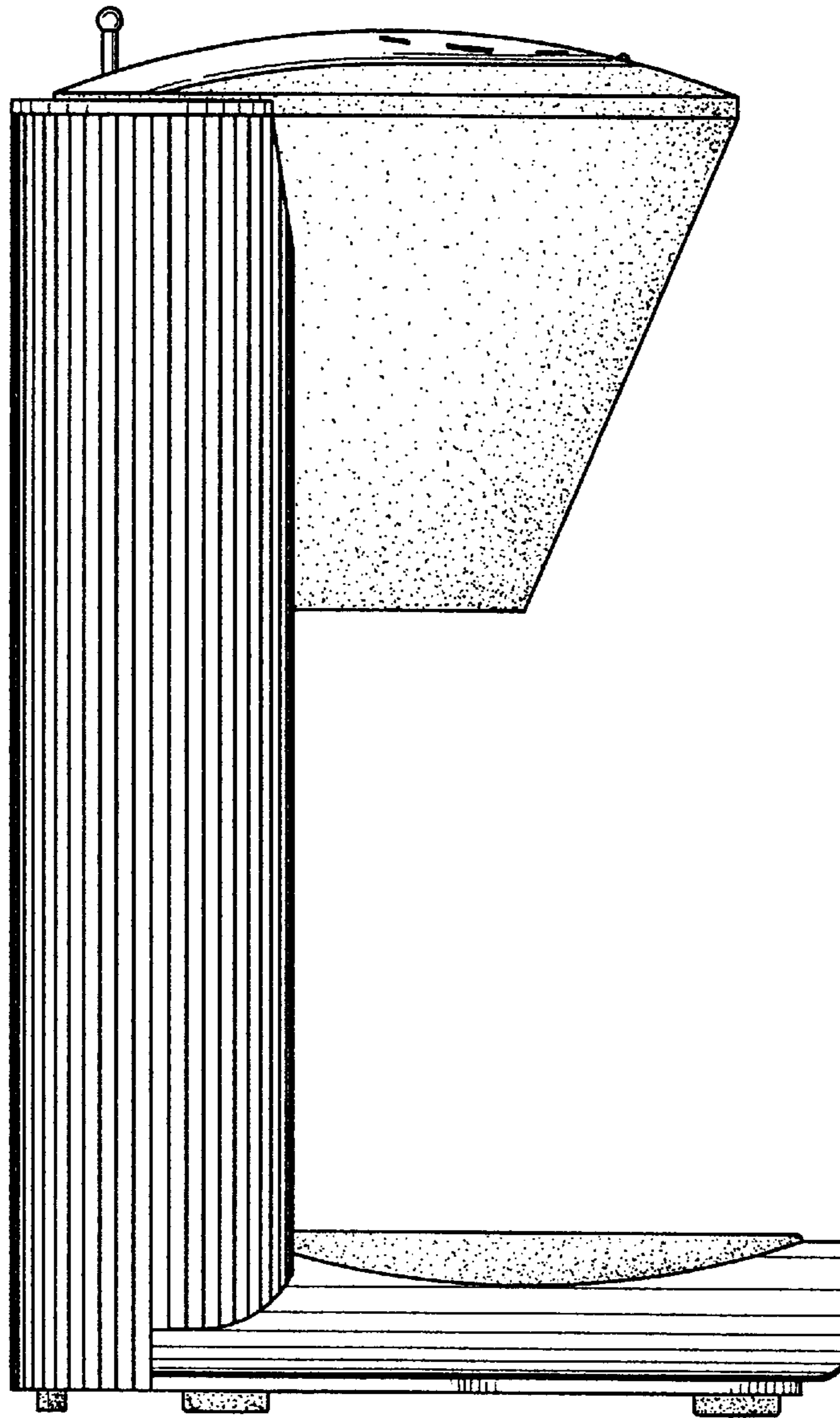


FIG. 4

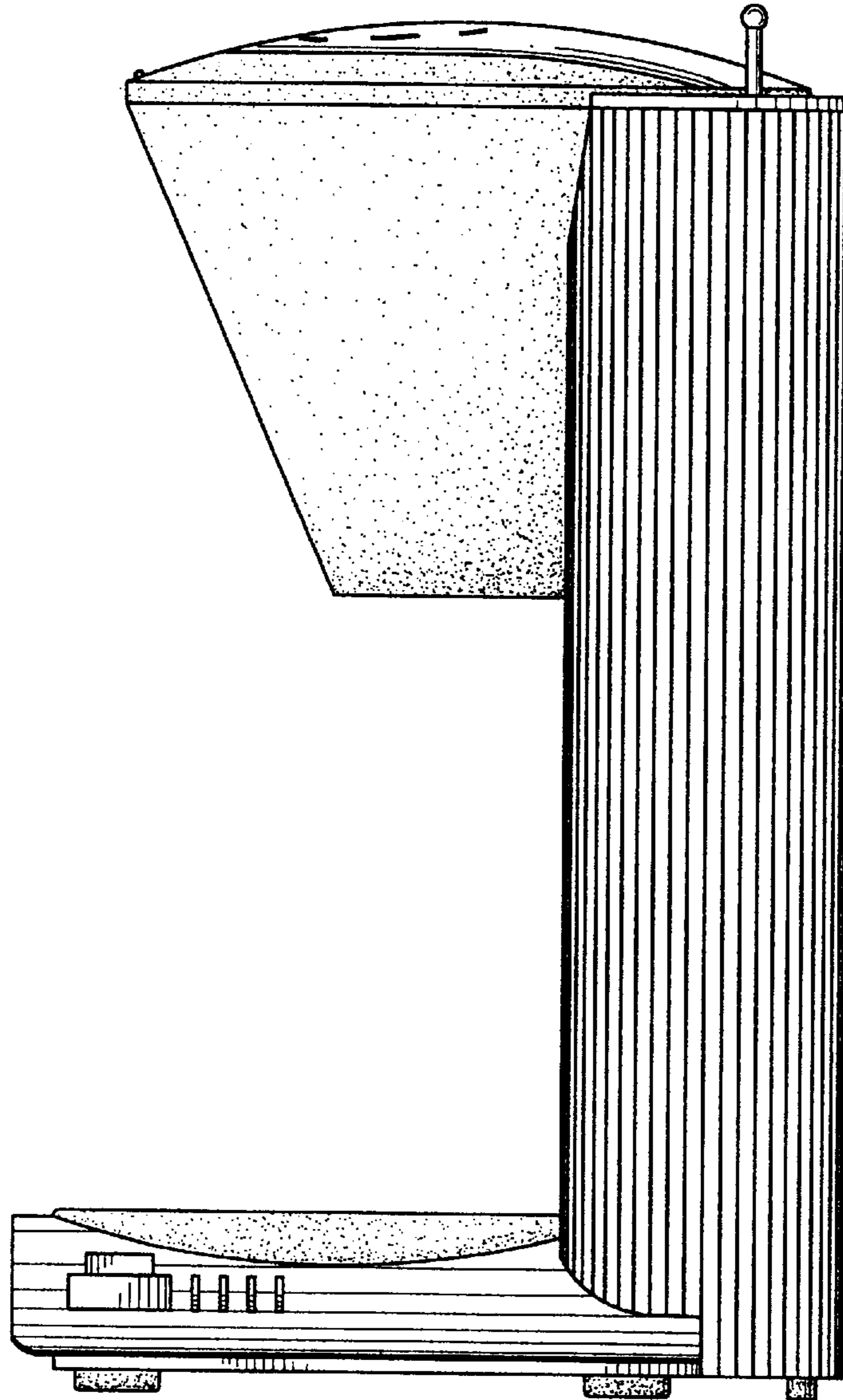


FIG. 5

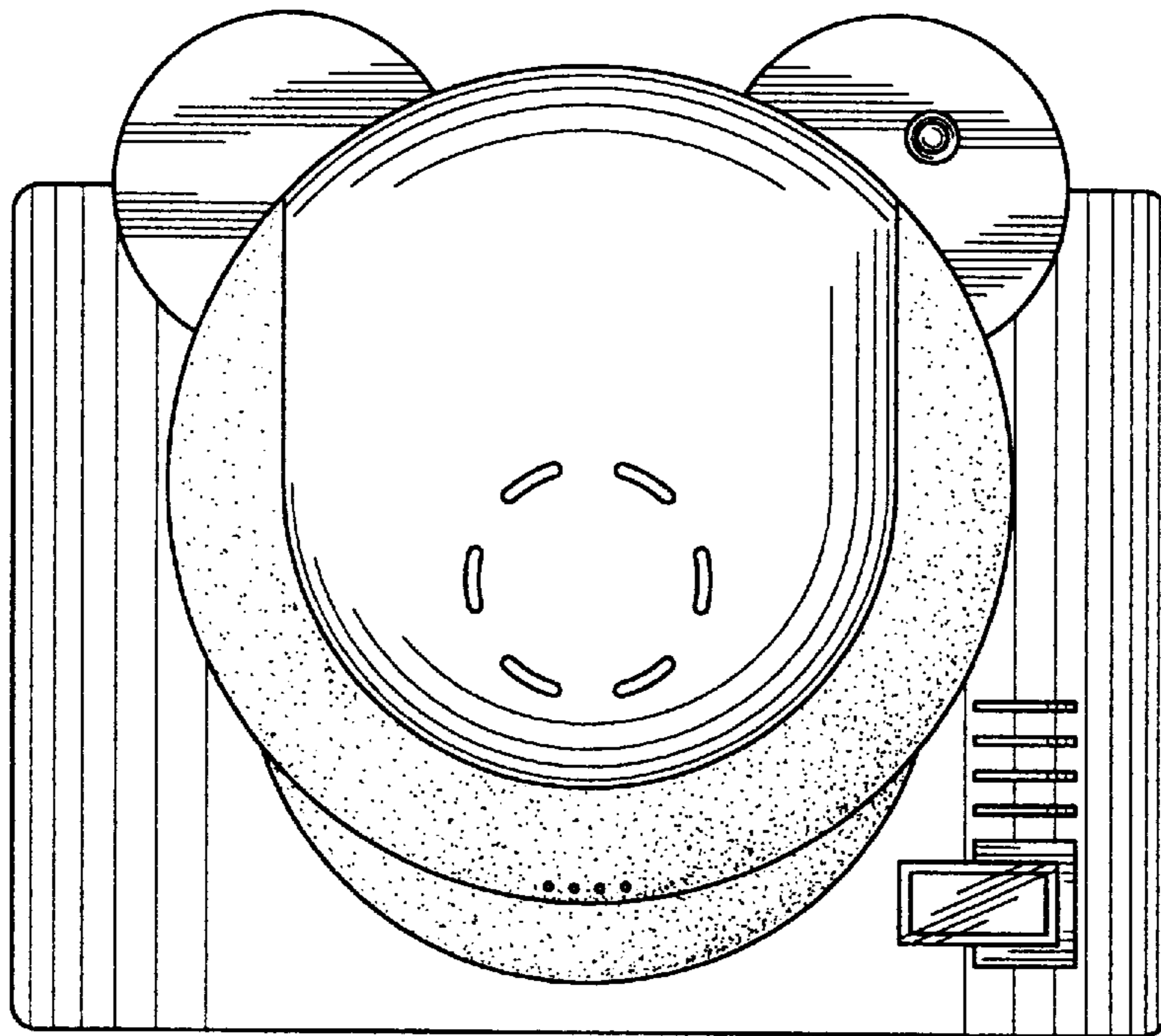


FIG. 6

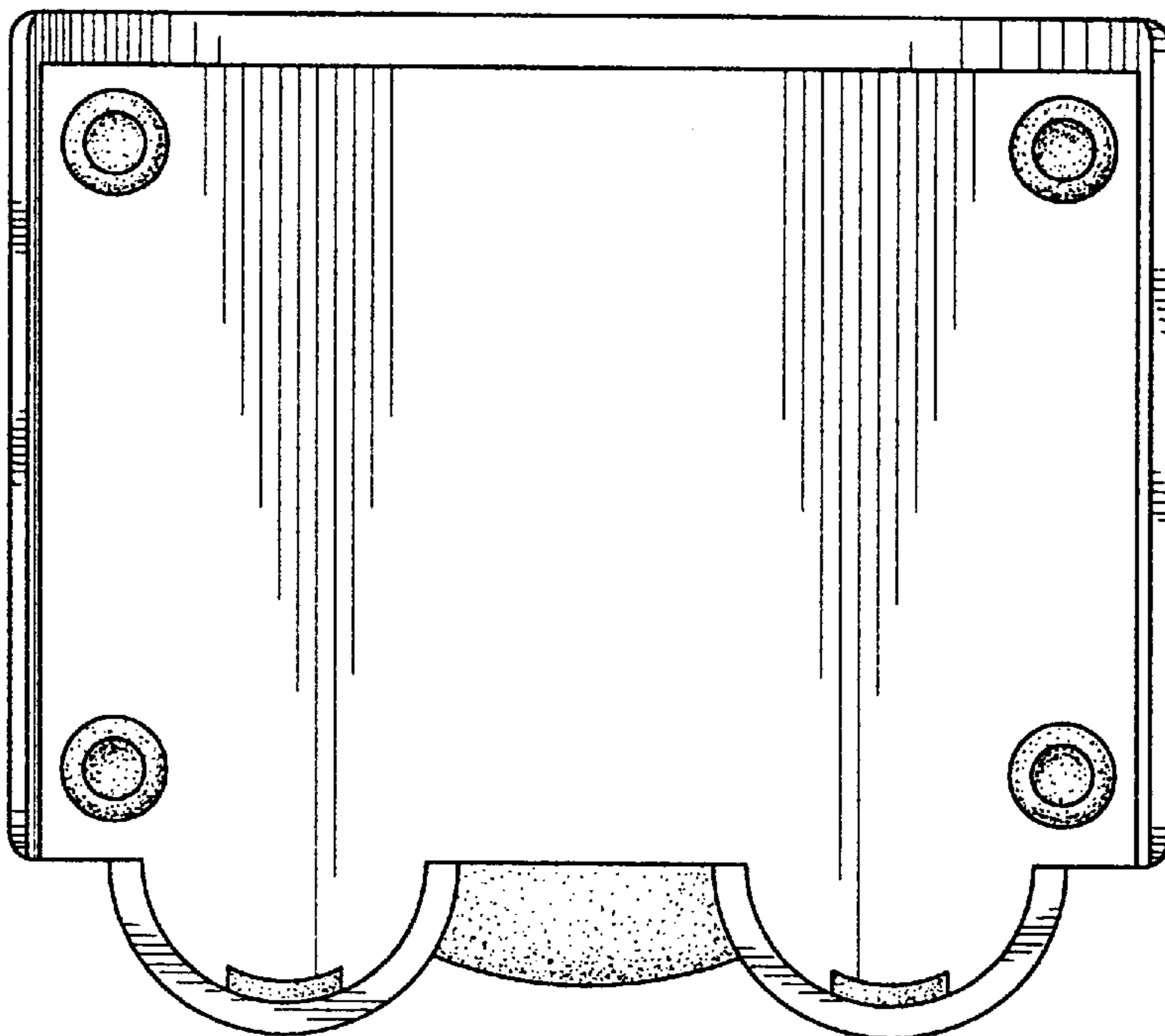


FIG. 7