



US00D407591S

# United States Patent [19]

[11] Patent Number: **Des. 407,591**

**Bologna et al.**

[45] Date of Patent: **\*\*Apr. 6, 1999**

[54] **COMBINED CONTAINER AND SLIDE TRAY FOR HOLDING A COMPACT DISC**

2100464	7/1972	Germany .....	206/308.1
6168563	6/1994	Japan .....	206/308.1
2272990	6/1994	United Kingdom .....	206/308.1
4025376	11/1994	WIPO .....	206/308.1

[75] Inventors: **David L. Bologna**, Lanesboro, Mass.;  
**Patrick J. O'Brien**, Maywood, N.J.;  
**Arthur Kern**, New York, N.Y.; **George F. Rufo, Jr.**, Dalton, Mass.

### OTHER PUBLICATIONS

Stereo Review; p. 42; Yamaha Compact Disc Plastic Caddies; Apr. 1985.  
Wall Street Journal; p. B6; CD Inch Pack; Jul./Aug. 1991.

[73] Assignee: **Ivy Hill Corporation**, New York, N.Y.

*Primary Examiner*—Cathy Anne MacCormac  
*Attorney, Agent, or Firm*—Amster, Rothstein & Ebenstein

[\*\*] Term: **14 Years**

[21] Appl. No.: **51,759**

### [57] CLAIM

[22] Filed: **Mar. 18, 1996**

The ornamental design for a combined container and slide tray for holding a compact disc, as shown and described.

[51] **LOC (6) Cl.** ..... **06-04**

### DESCRIPTION

[52] **U.S. Cl.** ..... **D6/627; D3/201**

[58] **Field of Search** ..... D6/407, 626-635;  
206/308.1, 309-312, 456-457, 472, 581,  
387.1, 387.12, 387.14; D9/420, 423-424,  
426, 430, 432; D3/289, 301, 201, 245;  
224/240

FIG. 1 is an exploded isometric view taken from the top, front and left side of a combined container and slide tray for holding a compact disc showing our new design and illustrated in a position of use;

### [56] References Cited

#### U.S. PATENT DOCUMENTS

D. 260,122	8/1981	Turner .	
D. 318,368	7/1991	Evans .	
D. 362,367	9/1995	Olsson et al. ....	D6/634
D. 371,482	7/1996	Cale, Sr. ....	D6/407
D. 375,015	10/1996	Kobayashi et al. ....	D6/632
4,709,812	12/1987	Kosterka .....	206/310
5,307,927	5/1994	Curtis et al. ....	206/312
5,474,174	12/1995	Lin .....	206/310
5,494,156	2/1996	Nies .....	206/308.1
5,542,531	8/1996	Yeung .....	206/308.1
5,549,199	8/1996	Lindsay .....	206/308.1
5,558,220	9/1996	Gartz .....	206/308.1
5,575,388	11/1996	Bologna et al. ....	206/308.1

FIG. 2 is a top plan view of the tray thereof;

FIG. 3 is a cross sectional view of the tray thereof taken along line 3-3 of FIG. 2;

FIG. 4 is a side elevational view of the tray thereof;

FIG. 5 is a bottom plan view of the tray thereof; and,

FIG. 6 is an isometric assembly view taken from the top, front and left side of the tray and container of FIG. 1 illustrated in another position of use.

The broken lines in FIG. 1 show environment only and form no part of the claimed design.

The bottom and right side of the container are mirror images of the top and left side thereof, respectively; the back of the container is unremarkable and devoid of any distinguishing feature.

The right side of the tray is a mirror image of the left side thereof.

#### FOREIGN PATENT DOCUMENTS

2627890	9/1989	France .....	206/308.1
---------	--------	--------------	-----------

**1 Claim, 4 Drawing Sheets**

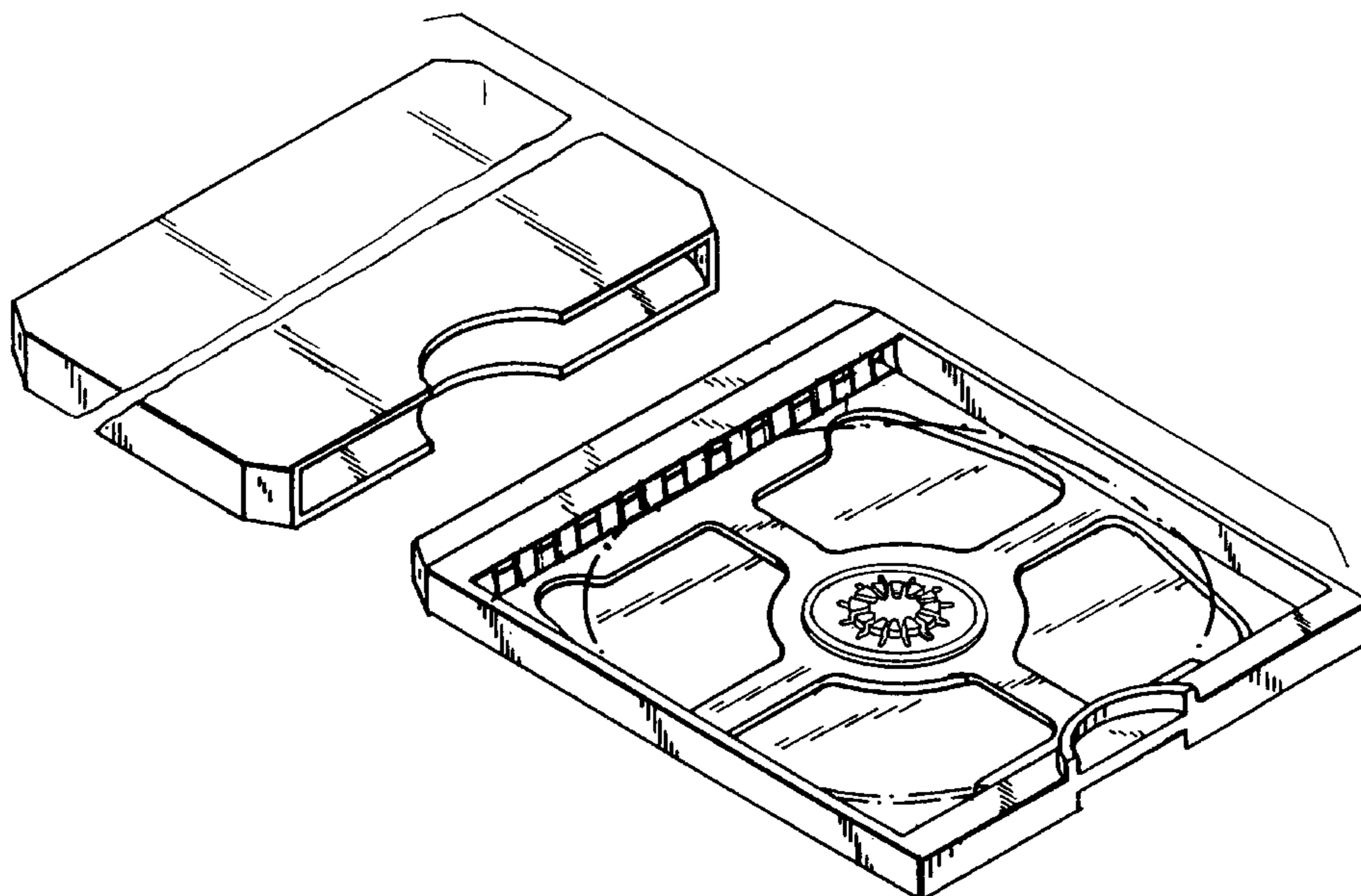
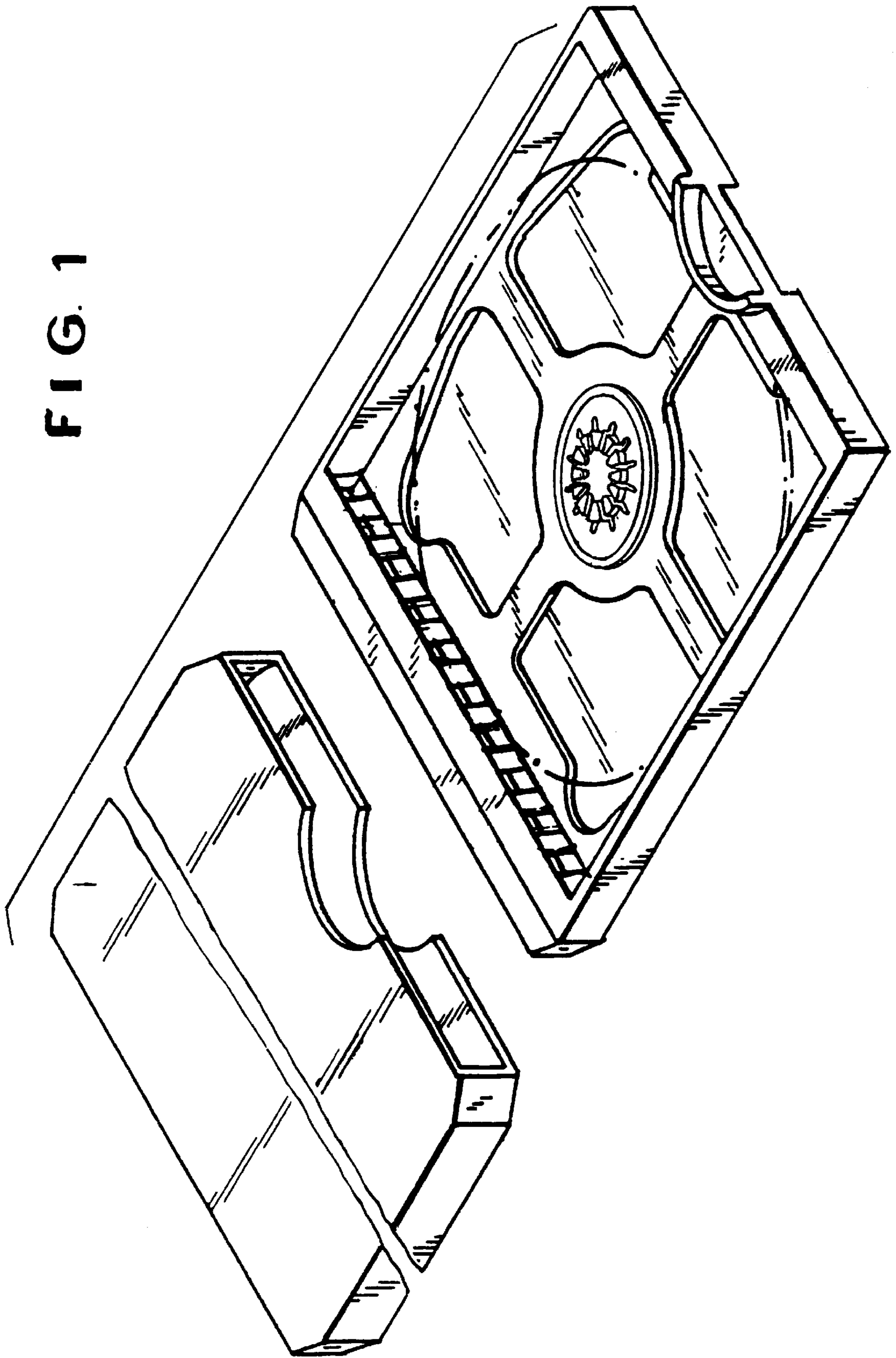


FIG. 1



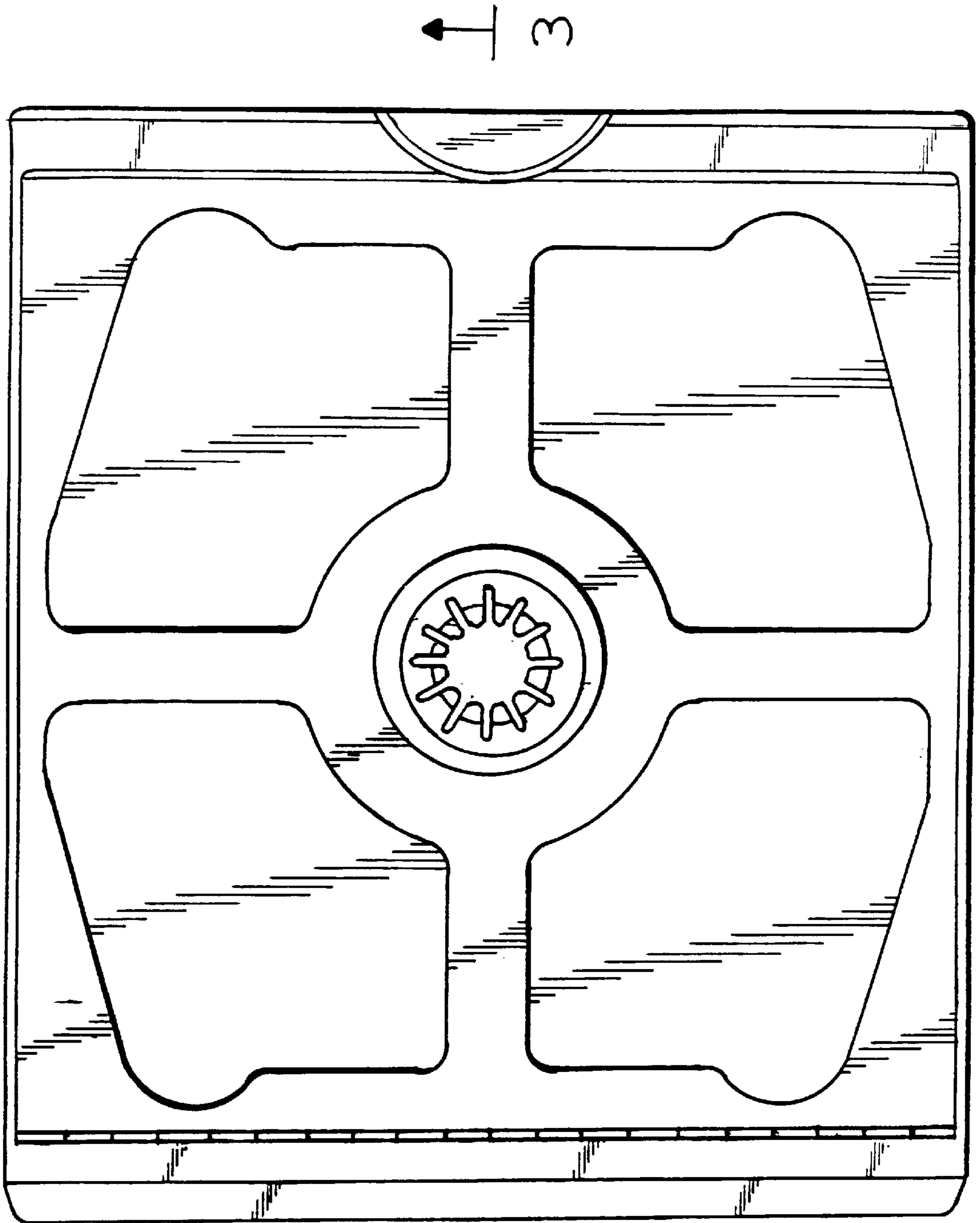


FIG. 2



FIG. 3

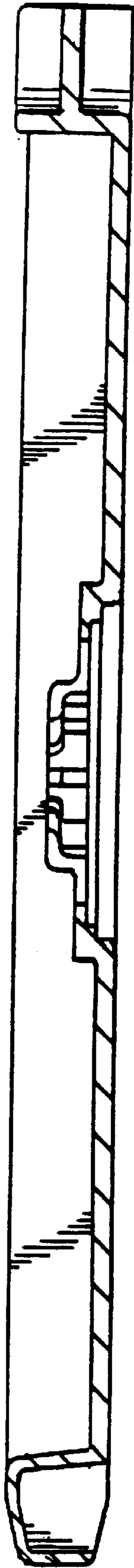
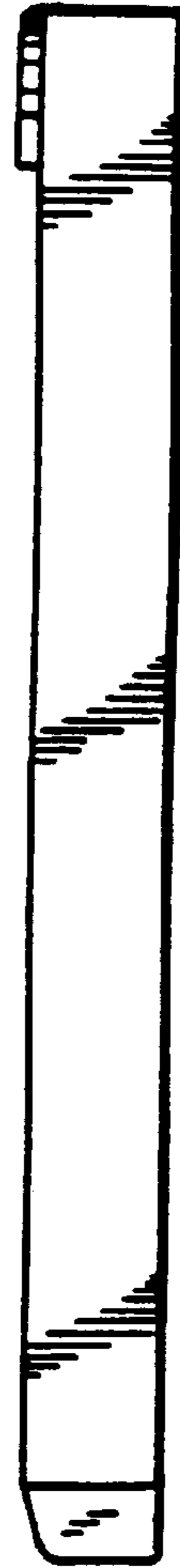


FIG. 4



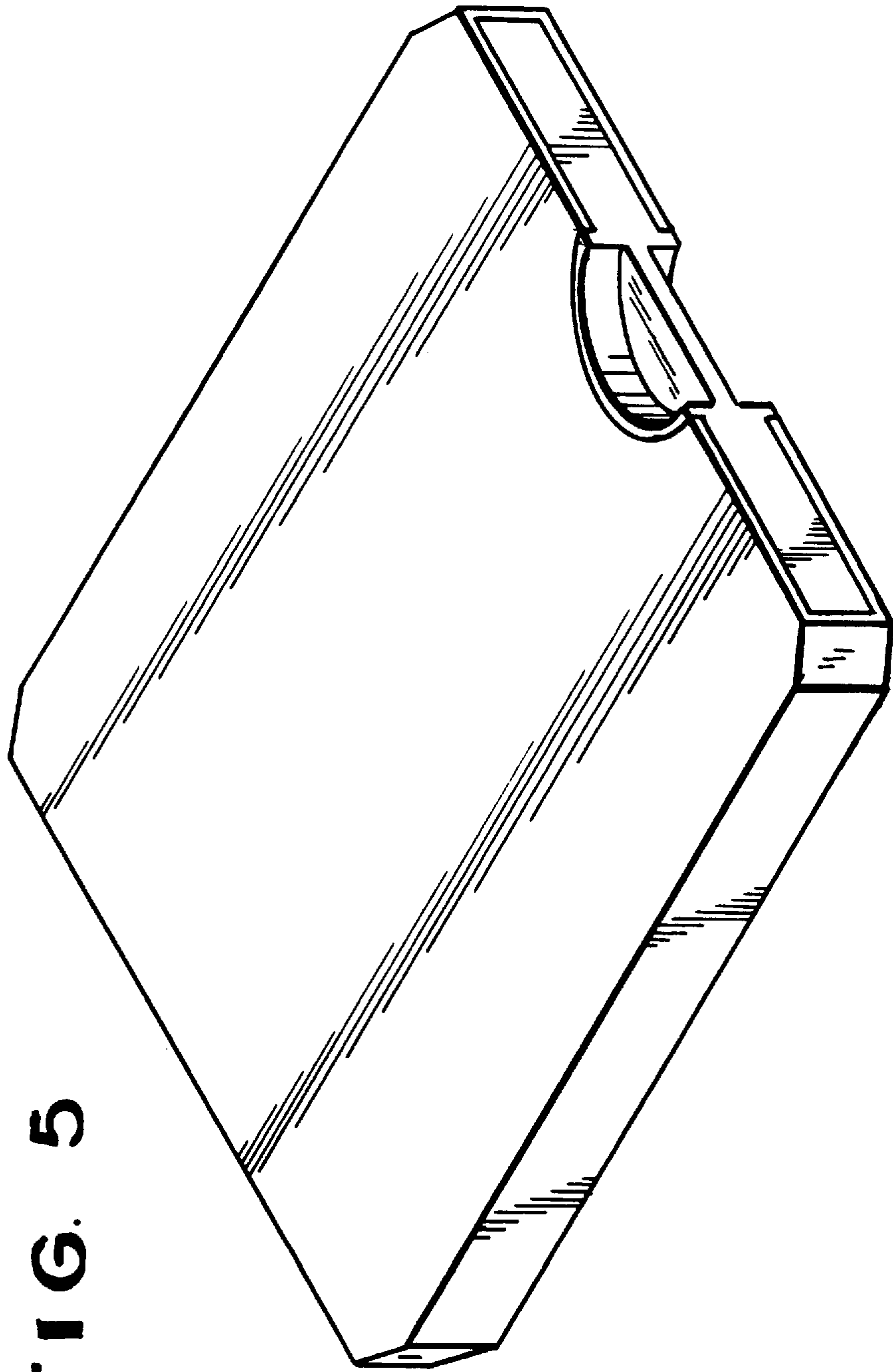


FIG. 5