

US00D407590S

United States Patent [19]

Lamont et al.

[11] **Patent Number:** **Des. 407,590**

[45] **Date of Patent:** ****Apr. 6, 1999**

[54] **ANGLED VALANCE**

[75] **Inventors:** **Bernard Lamont**, Gatineau; **David Rozon**, Russell, both of Canada

[73] **Assignee:** **3429342 Canada Ltée**, Hull, Canada

[**] **Term:** **14 Years**

[21] **Appl. No.:** **61,481**

[22] **Filed:** **Oct. 24, 1996**

[30] **Foreign Application Priority Data**

May 8, 1996 [CA] Canada 1996-1061

[51] **LOC (6) Cl.** **06-10**

[52] **U.S. Cl.** **D6/579**

[58] **Field of Search** D6/575-580; 760/38, 760/39, 32-34, 19, 21; D25/55, 60, 49, 121-125; 52/36.3, 211, 212; D8/377, 376

[56] **References Cited**

U.S. PATENT DOCUMENTS

112,067 2/1871 Nenninger et al. 160/38

D. 165,515 12/1951 Eckert D6/579
D. 334,683 4/1993 Byrne D6/579
D. 345,098 3/1994 O'hanesian D8/377
1,070,842 8/1913 Prescott .

Primary Examiner—James Gandy
Assistant Examiner—Linda Brooks
Attorney, Agent, or Firm—Adrian Zahl

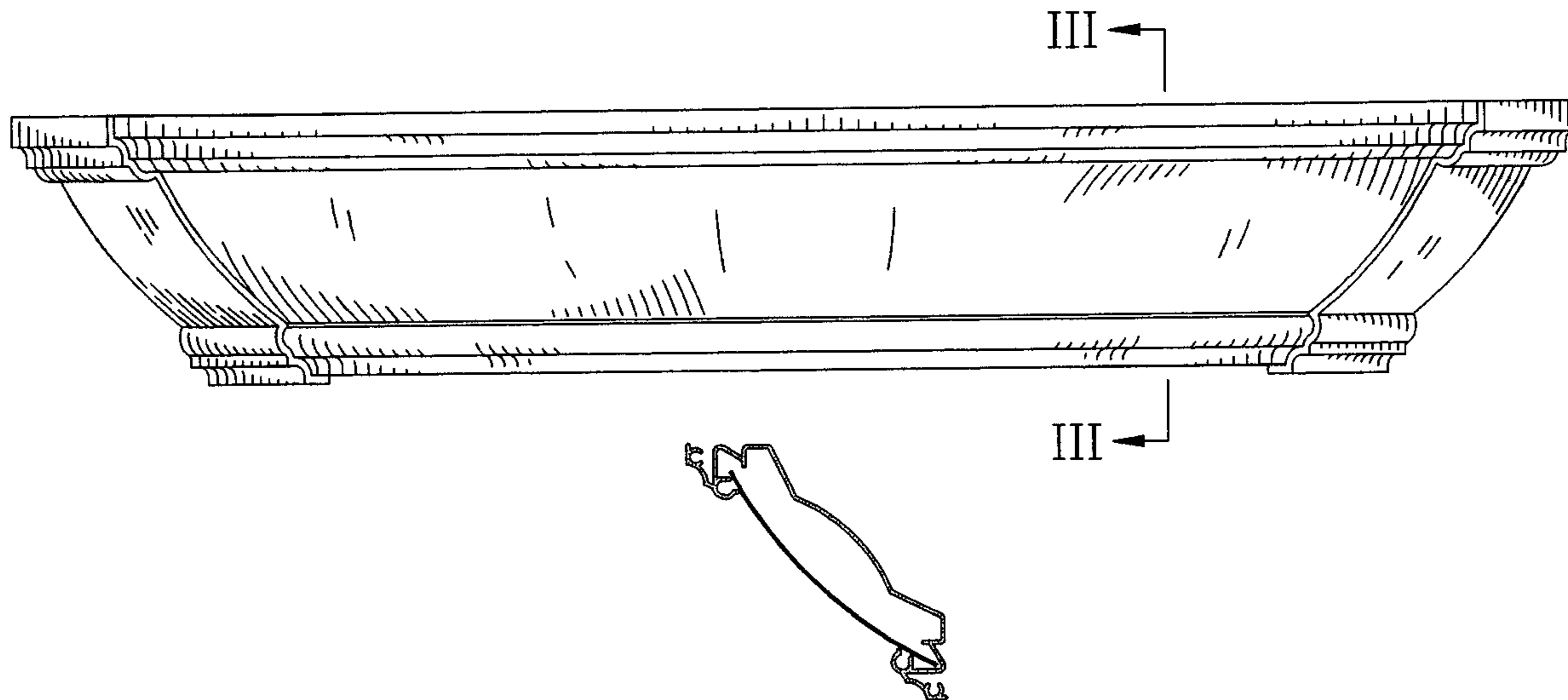
[57] **CLAIM**

The ornamental design for an angled valance, as shown.

DESCRIPTION

FIG. 1 is a front elevation view of the design;
FIG. 2 is a side elevational view thereof, the opposite side being a mirror image;
FIG. 3 is a cross-sectional view, taken along line III—III of FIG. 1;
FIG. 4 is a plan view, seen from below;
FIG. 5 is a plan view, seen from above; and,
FIG. 6 is a rear elevational view.

1 Claim, 3 Drawing Sheets



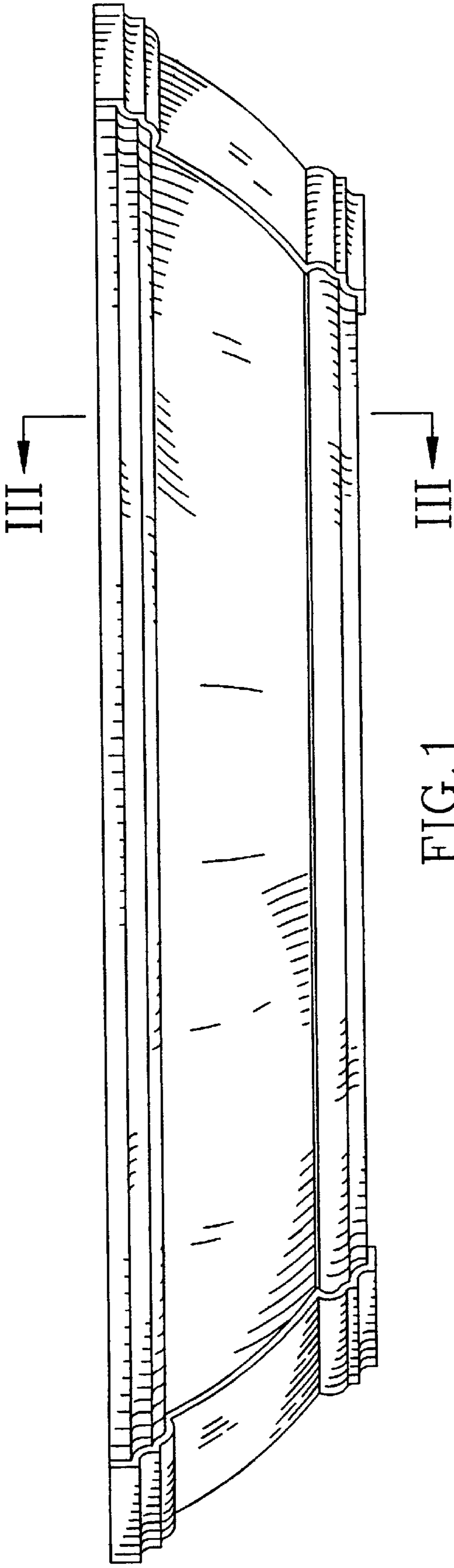


FIG. 1

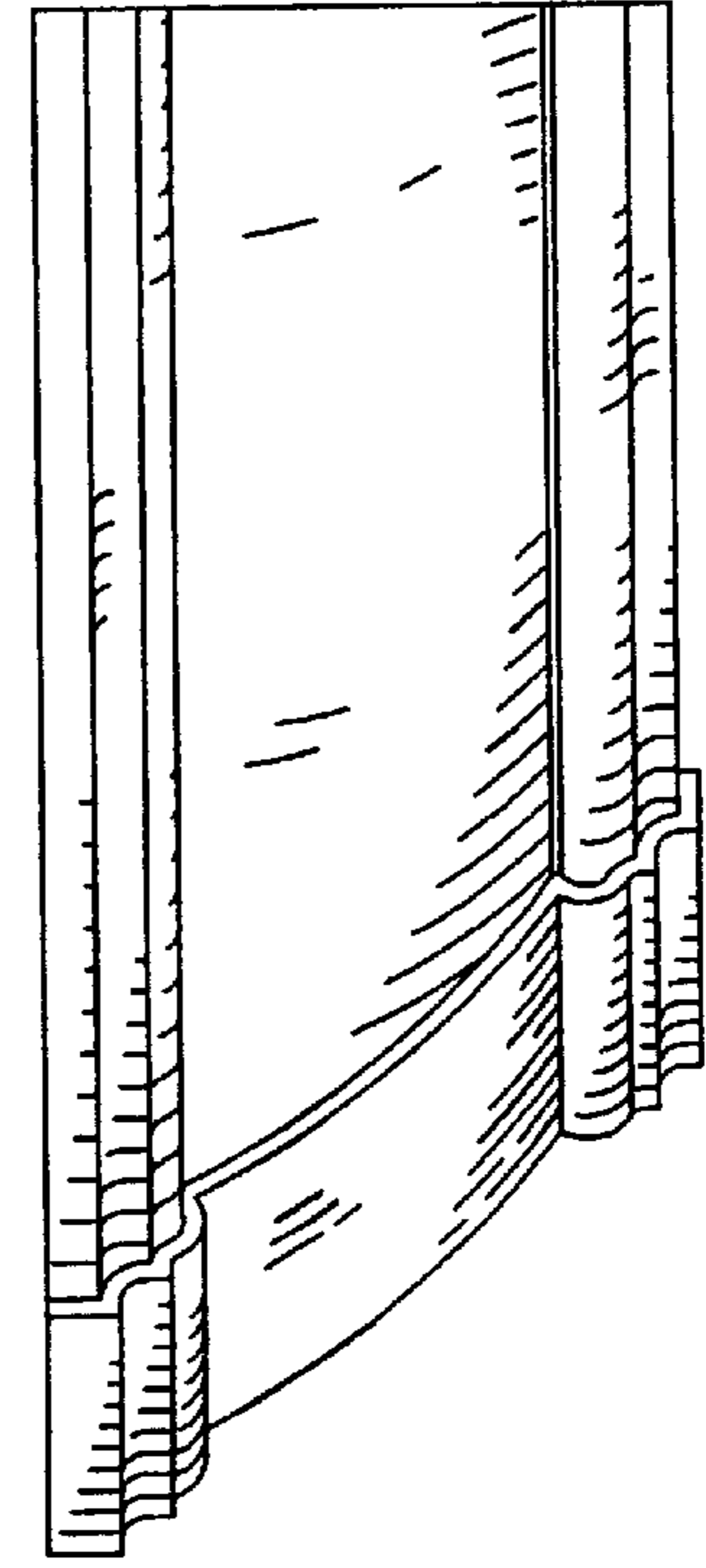


FIG. 2

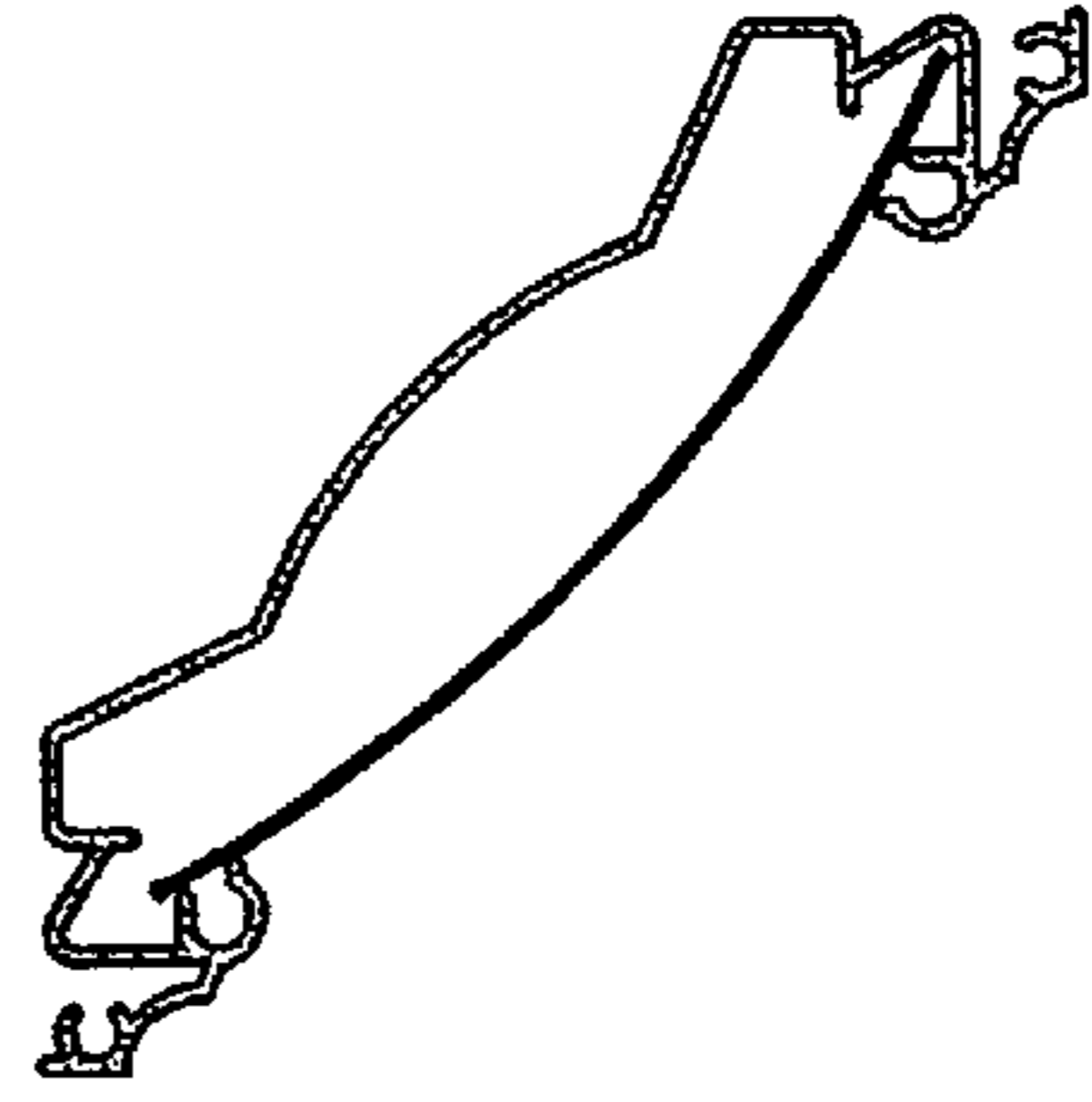


FIG. 3

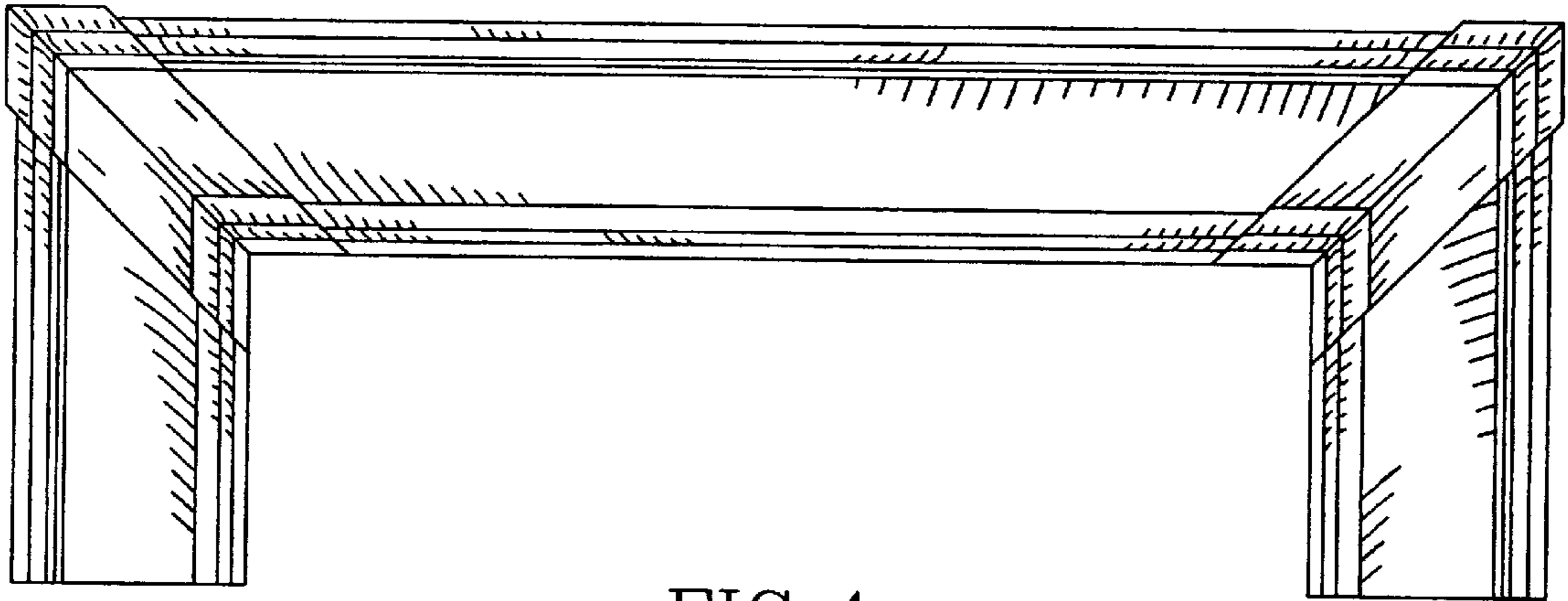


FIG. 4

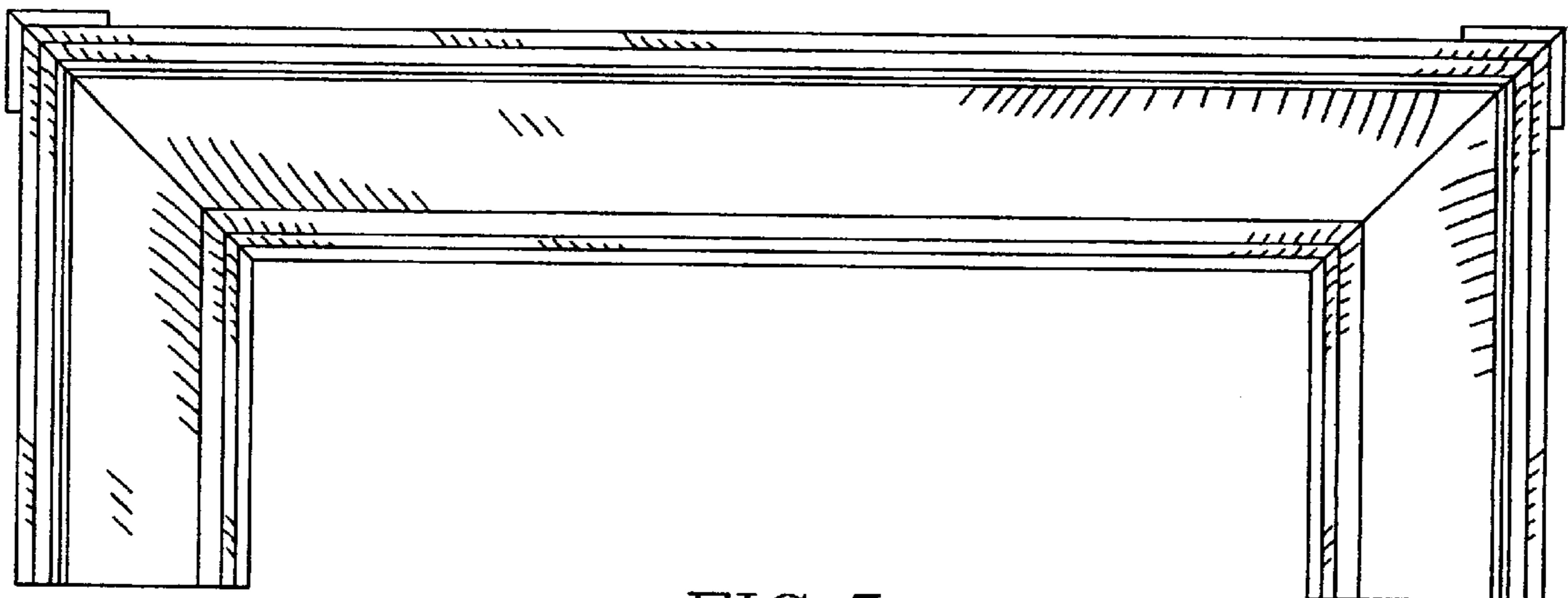


FIG. 5

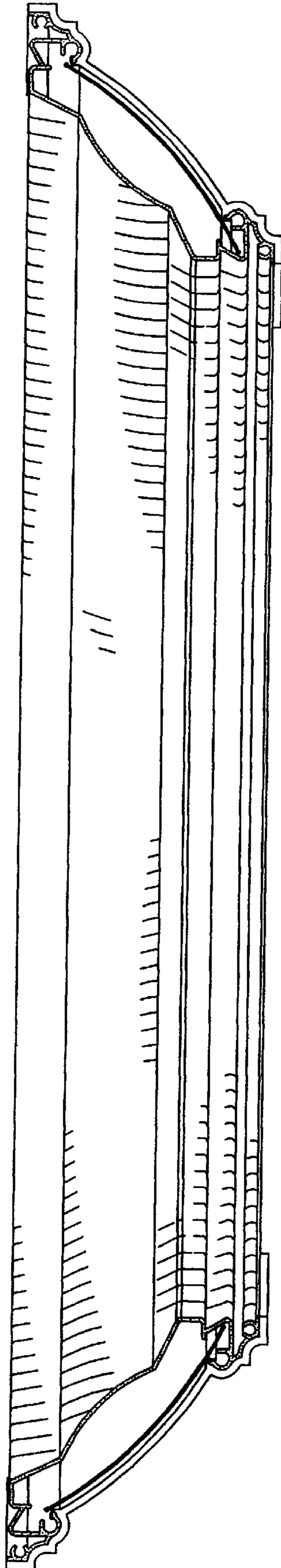


FIG. 6