



US00D407589S

United States Patent [19]
Warshawsky

[11] **Patent Number: Des. 407,589**

[45] **Date of Patent: **Apr. 6, 1999**

[54] **LOTION/SOAP DISPENSER**

D. 349,649 8/1994 Hanna D6/542 X
D. 385,138 10/1997 Warshawsky D6/542
D. 396,590 8/1998 Warshawsky D6/542

[75] Inventor: **Jerome Warshawsky**, Hewlett Harbor, N.Y.

Primary Examiner—Brian N. Vinson
Attorney, Agent, or Firm—Alfred M. Walker

[73] Assignee: **IW Industries, Inc.**, Melville, N.Y.

[**] Term: **14 Years**

[57] **CLAIM**

[21] Appl. No.: **89,574**

The ornamental design for a lotion/soap dispenser, as shown and described.

[22] Filed: **Jun. 18, 1998**

DESCRIPTION

[51] **LOC (6) Cl.** **07-07**

[52] **U.S. Cl.** **D6/542**

[58] **Field of Search** D6/542; 222/153,
222/181, 204, 209, 383-384

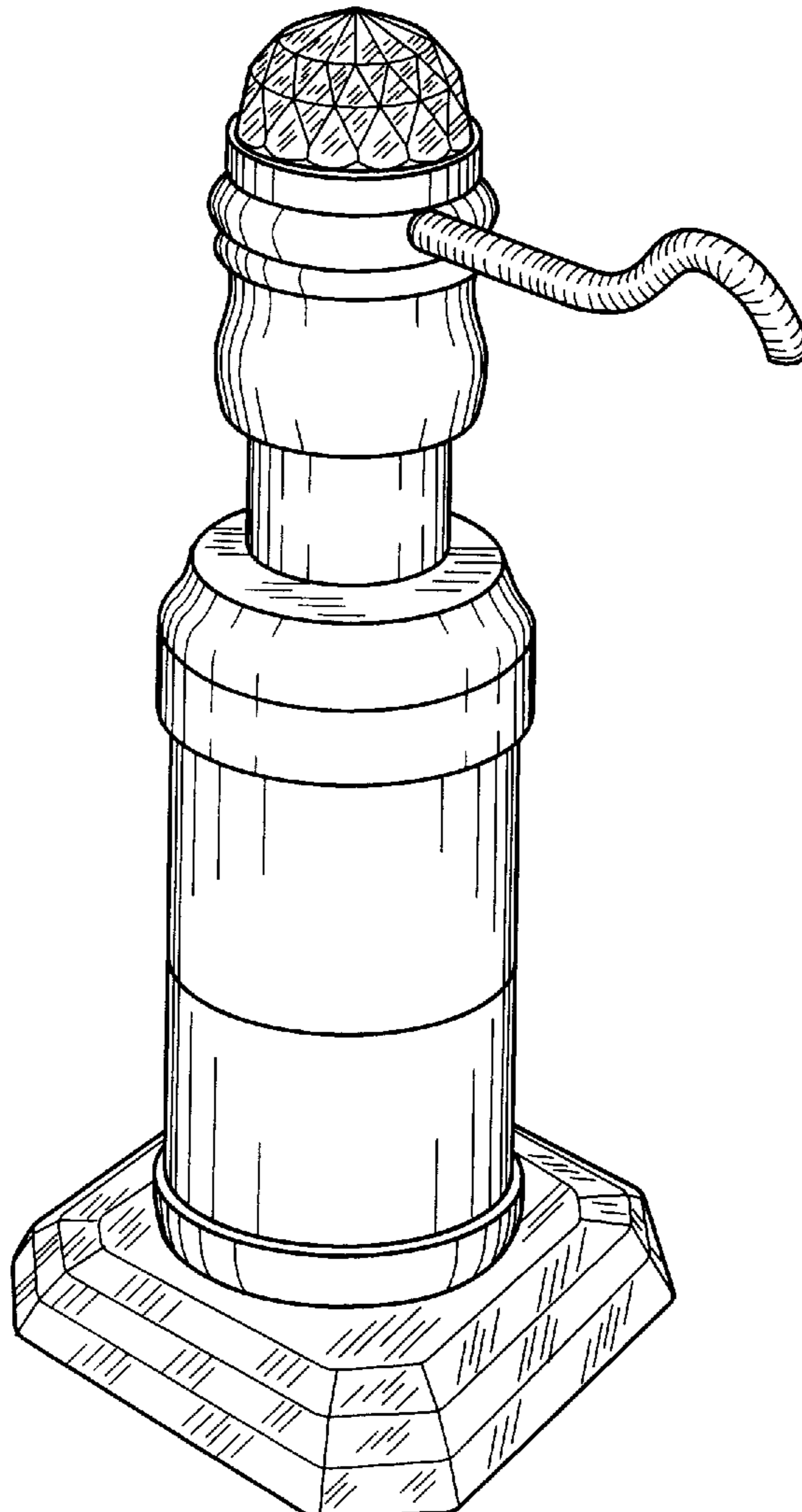
FIG. 1 is a perspective view of a lotion/soap dispenser, showing my new design;
FIG. 2 is a right side elevational view thereof;
FIG. 3 is a left side elevational view thereof;
FIG. 4 is a front elevational view thereof;
FIG. 5 is a rear elevational view thereof;
FIG. 6 is a top plan view thereof; and,
FIG. 7 is a bottom view thereof.

[56] **References Cited**

U.S. PATENT DOCUMENTS

D. 073,185 8/1927 Levernier D6/542
D. 247,940 5/1978 Tobin D6/542
D. 279,062 6/1985 Kanfer D6/542 X

1 Claim, 4 Drawing Sheets



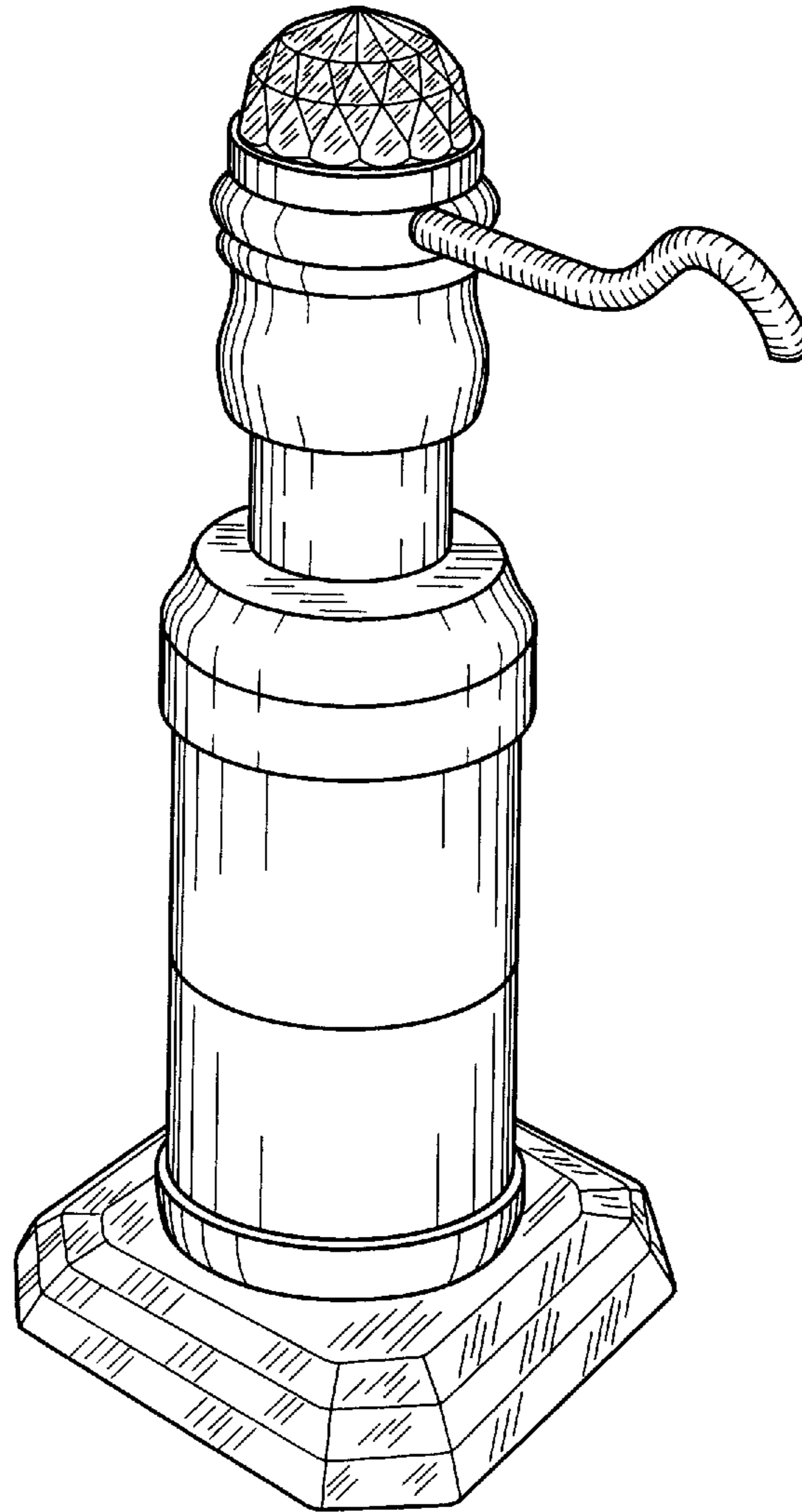


FIG. 1

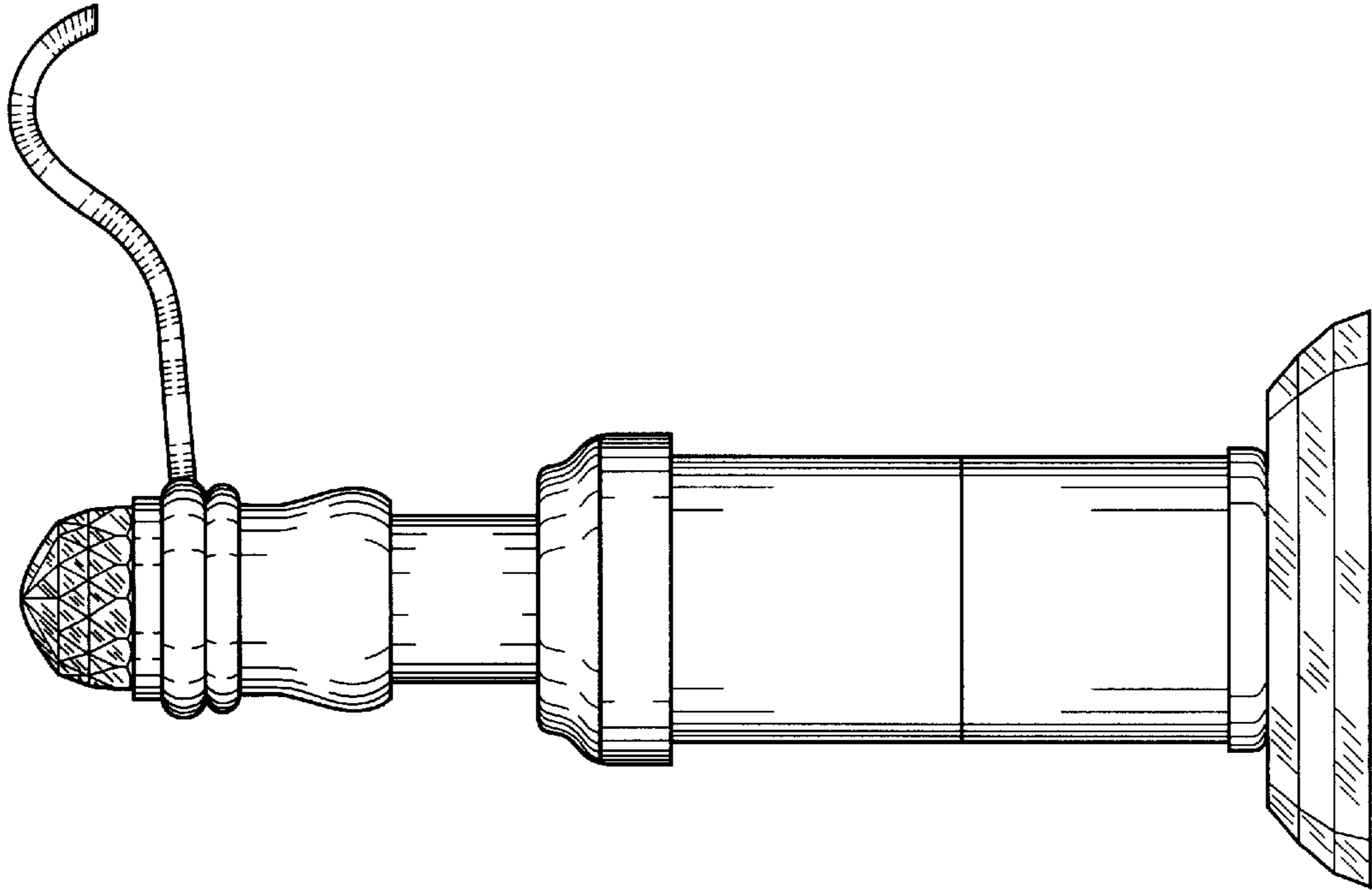


FIG. 3

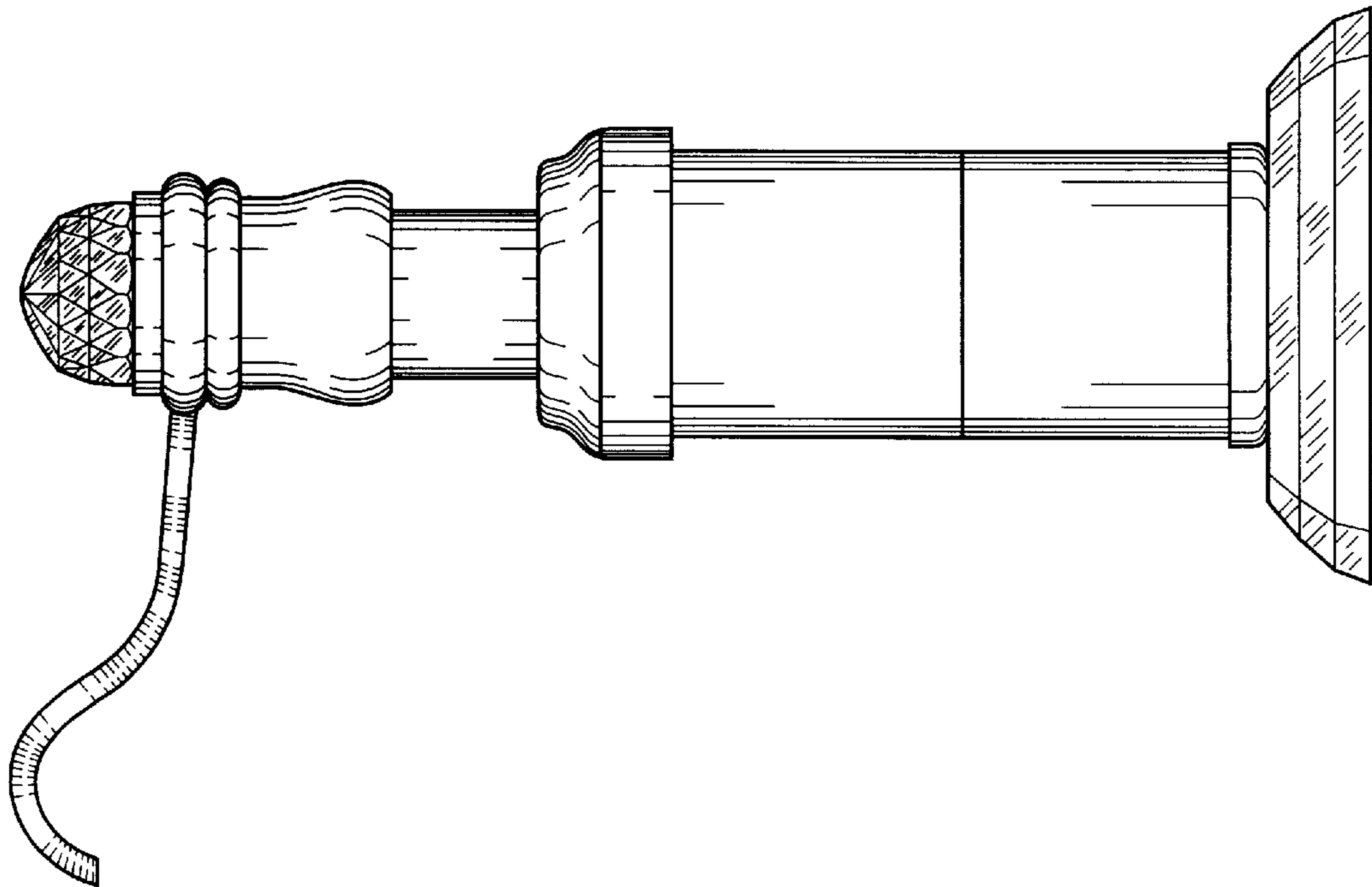


FIG. 2

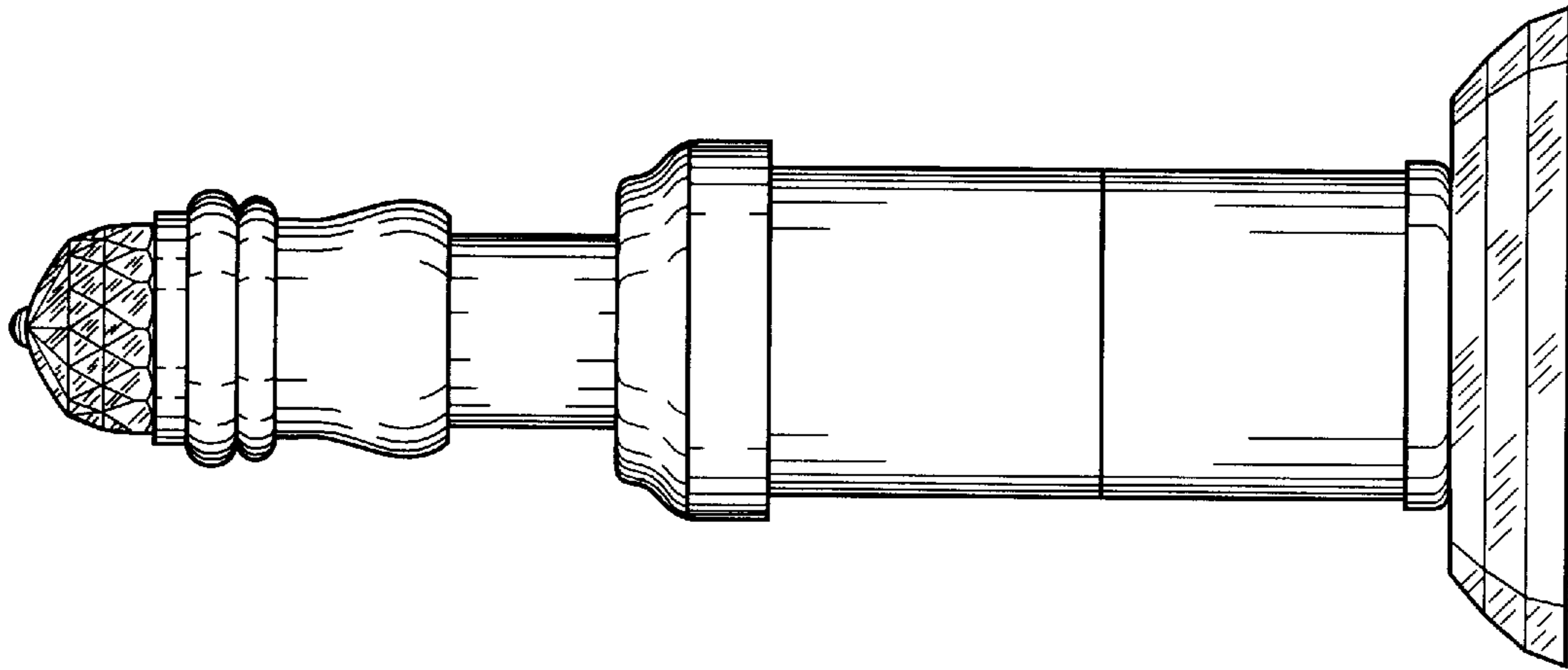


FIG. 5

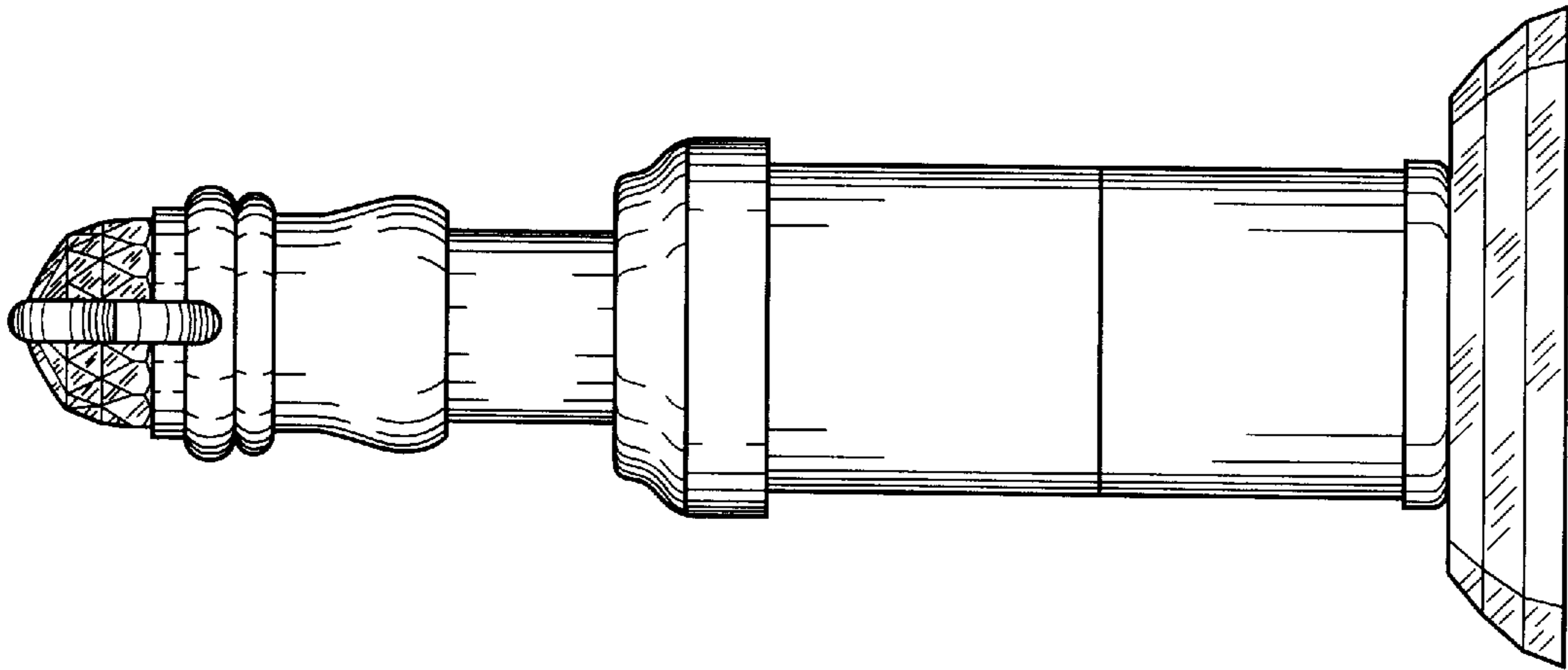


FIG. 4

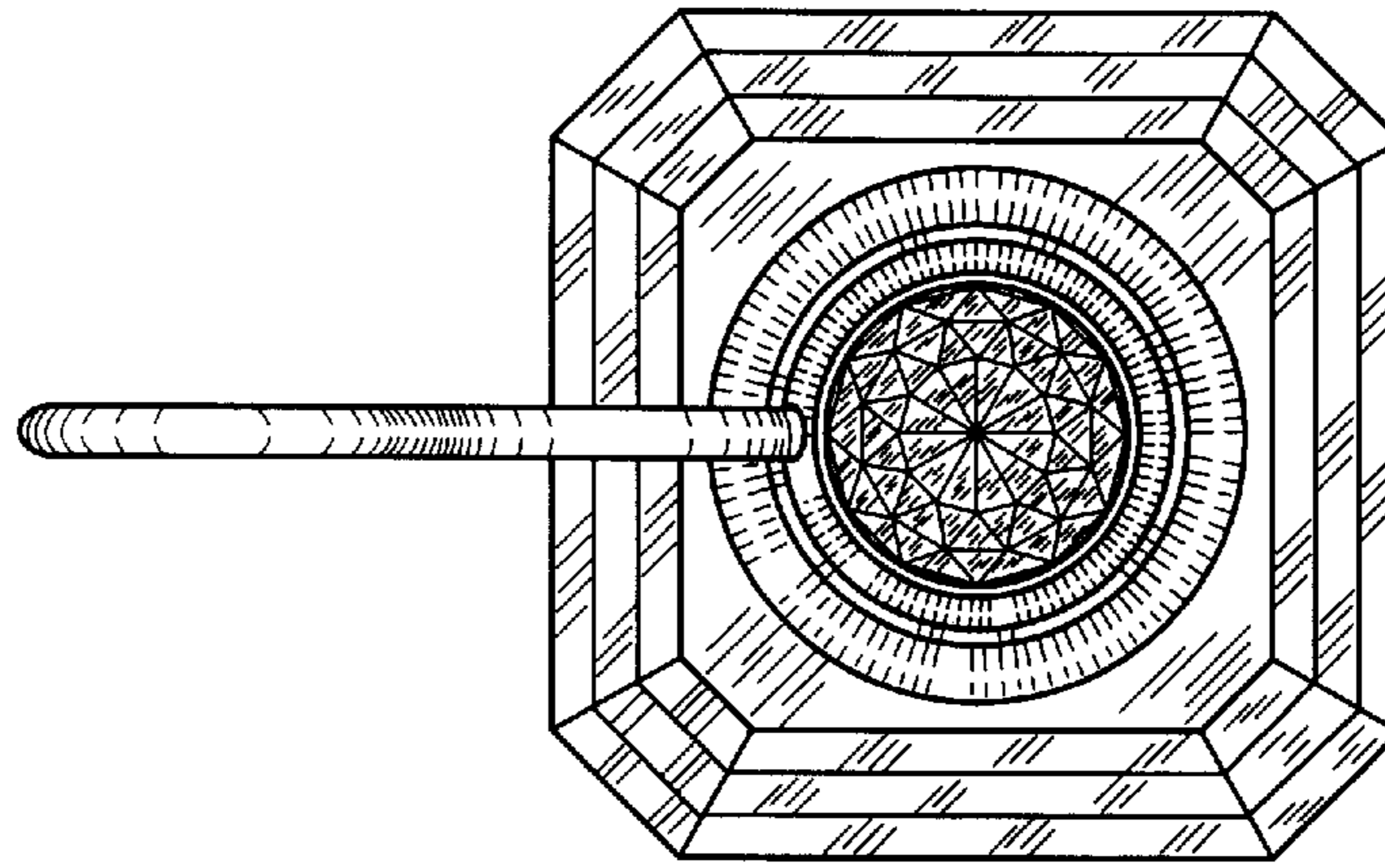


FIG. 6

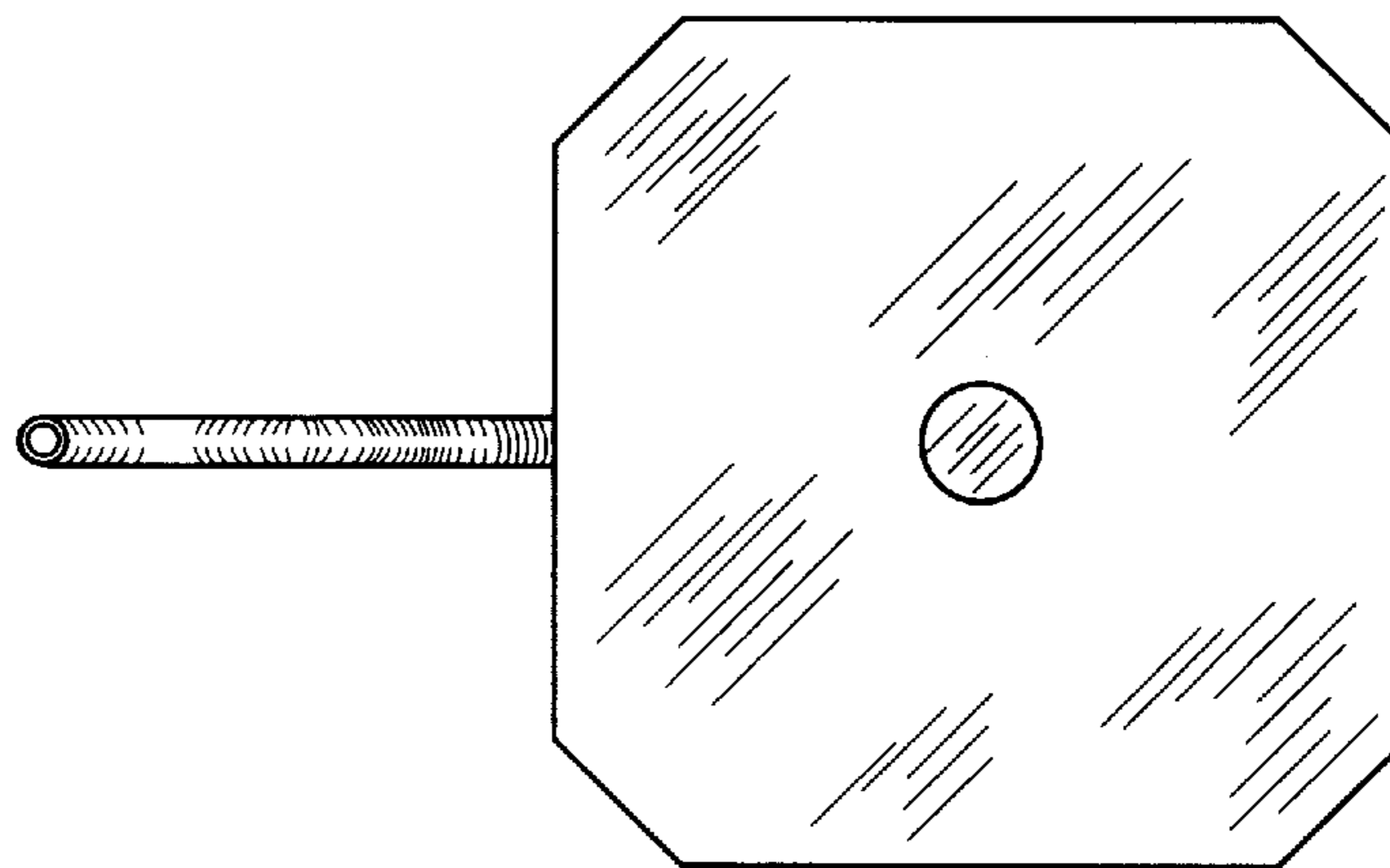


FIG. 7