

US00D407588S

United States Patent [19] Padilla

[11] **Patent Number: Des. 407,588**

[45] **Date of Patent: **Apr. 6, 1999**

[54] **TOILET TISSUE ROLL HOLDER**

[76] Inventor: **Rudolph Padilla**, 5185 E. Townsend,
Fresno, Calif. 93727

[**] Term: **14 Years**

[21] Appl. No.: **77,745**

[22] Filed: **Oct. 8, 1997**

[51] **LOC (6) Cl. 07-07**

[52] **U.S. Cl. D6/520**

[58] **Field of Search** D6/518-523; 206/389,
206/391; 312/34.1, 34.8, 34.22; 242/560

[56] **References Cited**

U.S. PATENT DOCUMENTS

- D. 302,504 8/1989 Levy D6/520
- D. 306,104 2/1990 Merdic D6/523
- D. 307,086 4/1990 Van Marcke et al. D6/520
- D. 314,301 2/1991 Cooke .
- D. 381,580 7/1997 Alig et al. D6/518 X
- 3,246,937 4/1966 Galbraith .

- 3,316,040 4/1967 McGann .
- 3,421,800 1/1969 Brown .
- 3,529,877 9/1970 Cassidy .

Primary Examiner—Brian N. Vinson
Attorney, Agent, or Firm—Richard A. Ryan

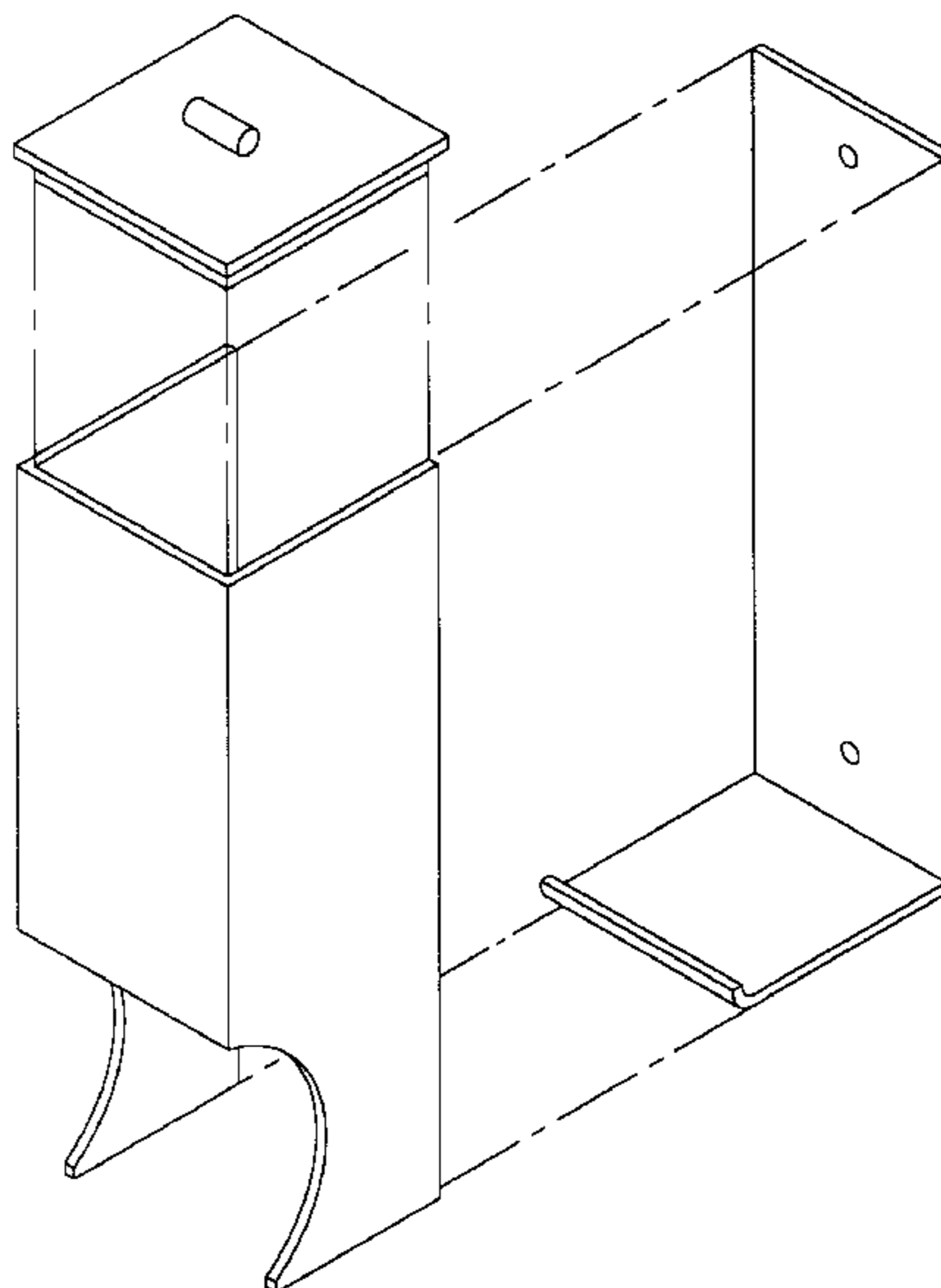
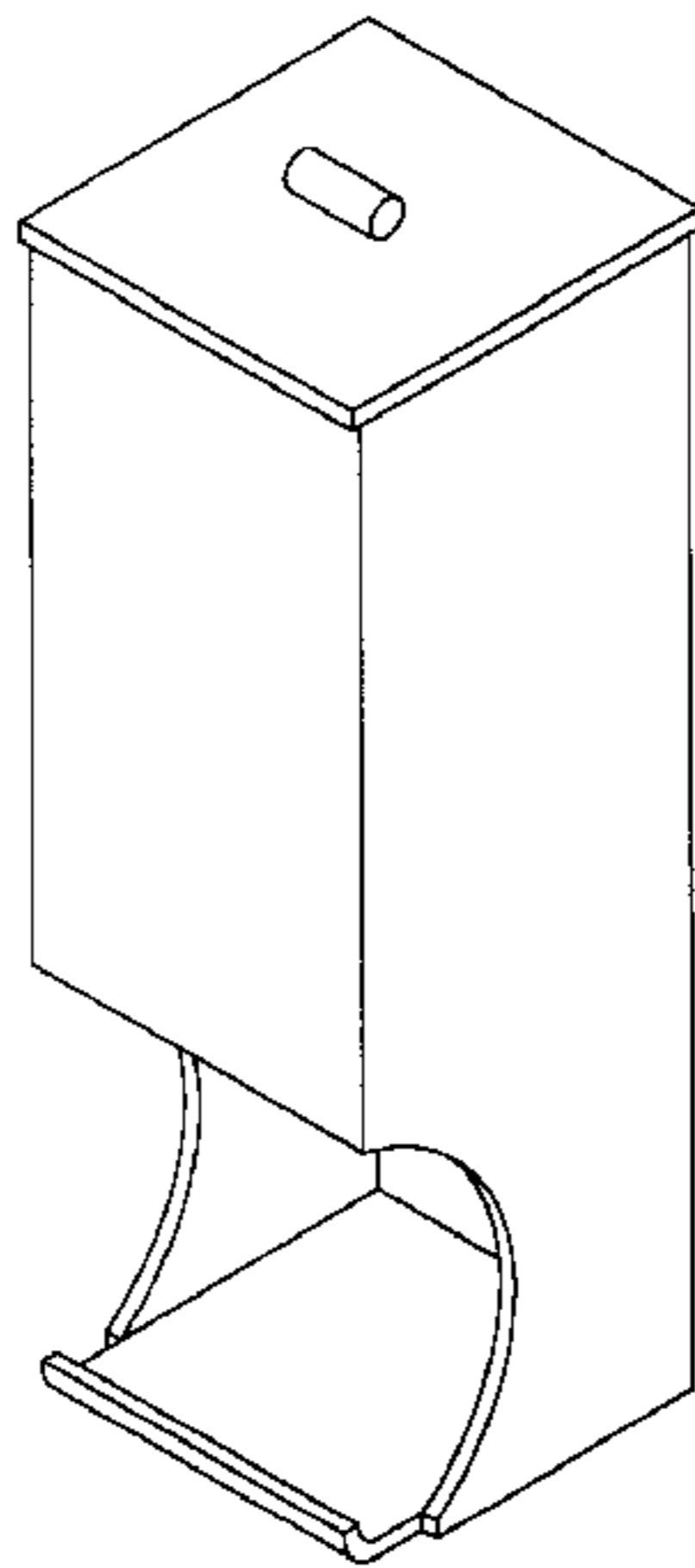
[57] **CLAIM**

The ornamental design for a toilet tissue roll holder, as shown and described.

DESCRIPTION

FIG. 1 is a front elevational view of a toilet tissue roll holder showing the design;
 FIG. 2 is a right side elevational view thereof, the left side being a mirror image of that shown;
 FIG. 3 is a rear elevational view thereof;
 FIG. 4 is a top plan view thereof;
 FIG. 5 is a bottom plan view thereof;
 FIG. 6 is a right side perspective view thereof; and,
 FIG. 7 is an exploded view thereof.

1 Claim, 2 Drawing Sheets



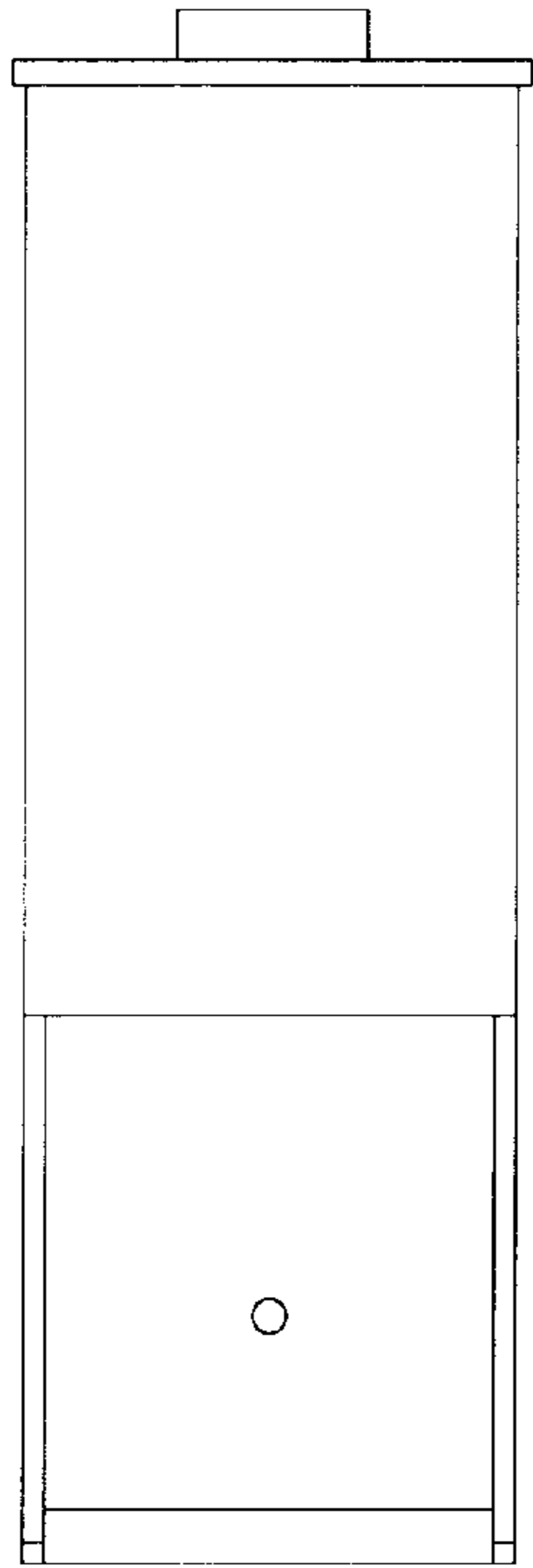


FIG. 1

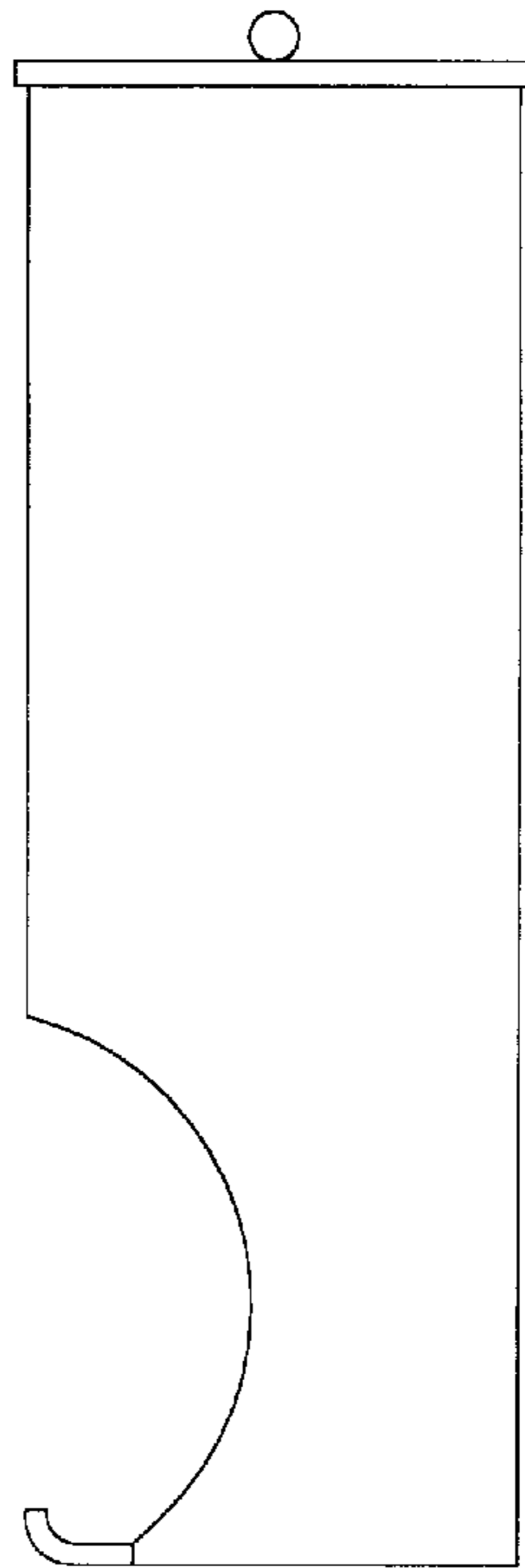


FIG. 2

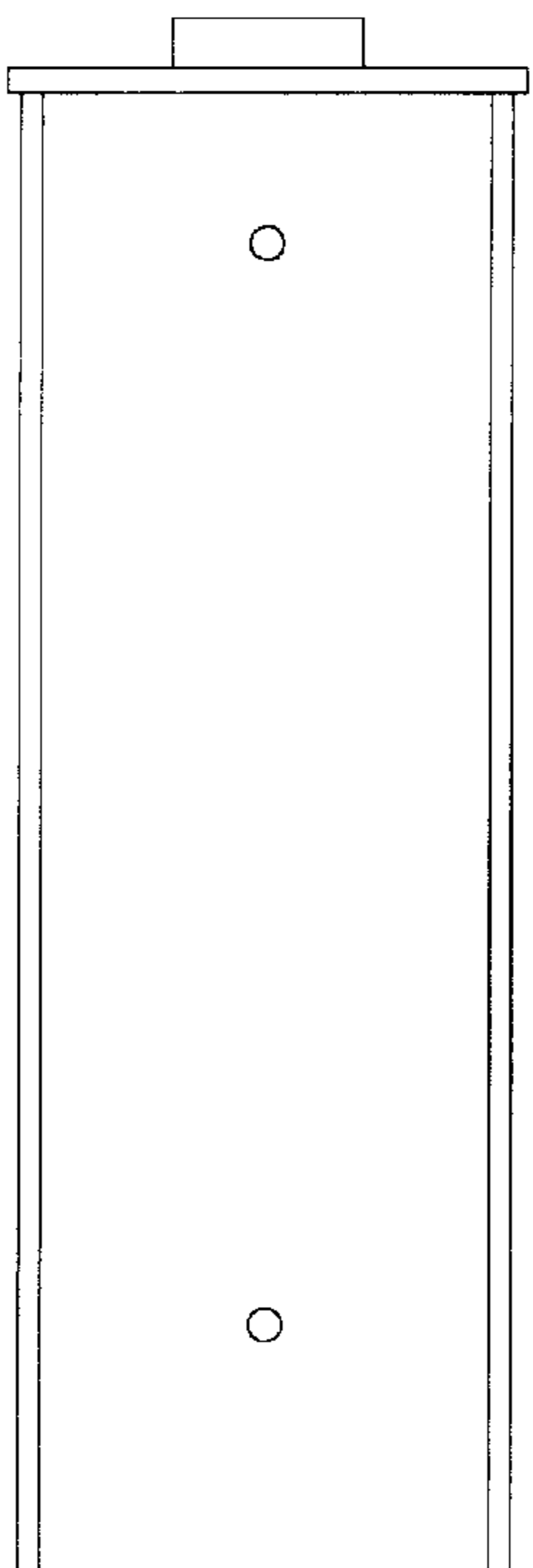


FIG. 3

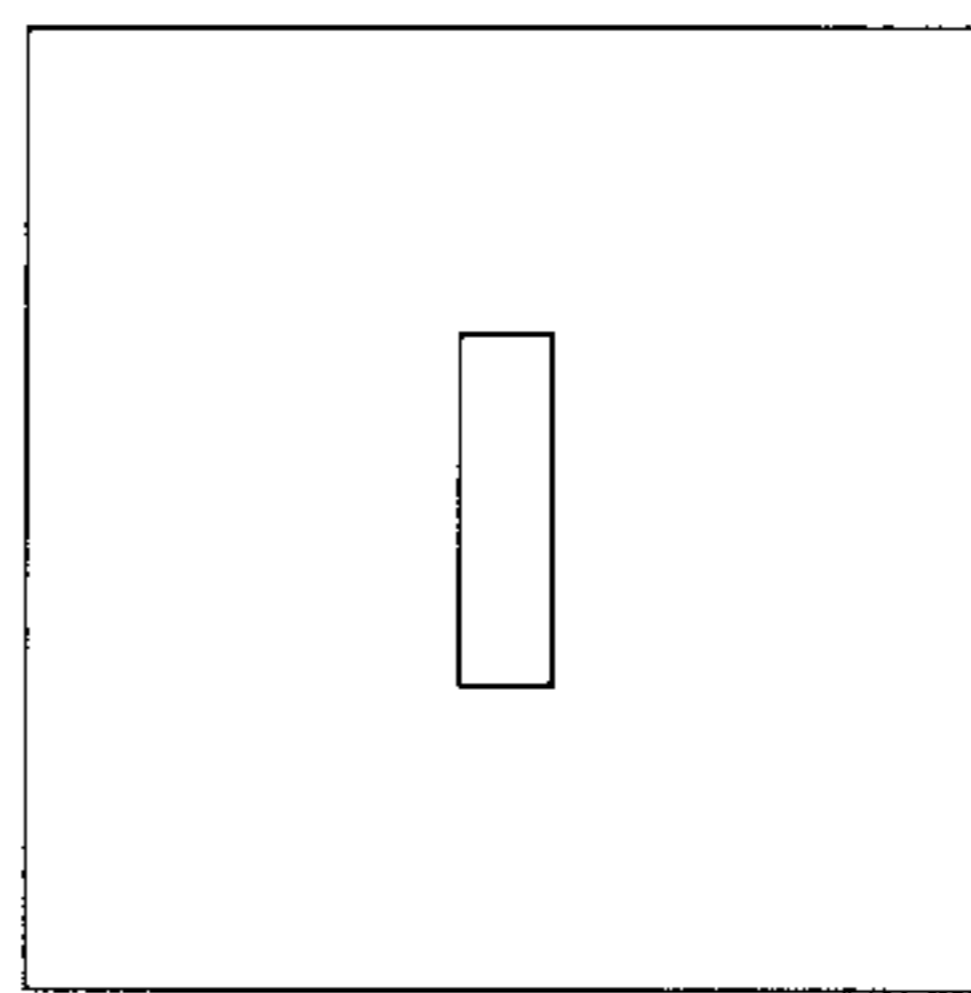


FIG. 4

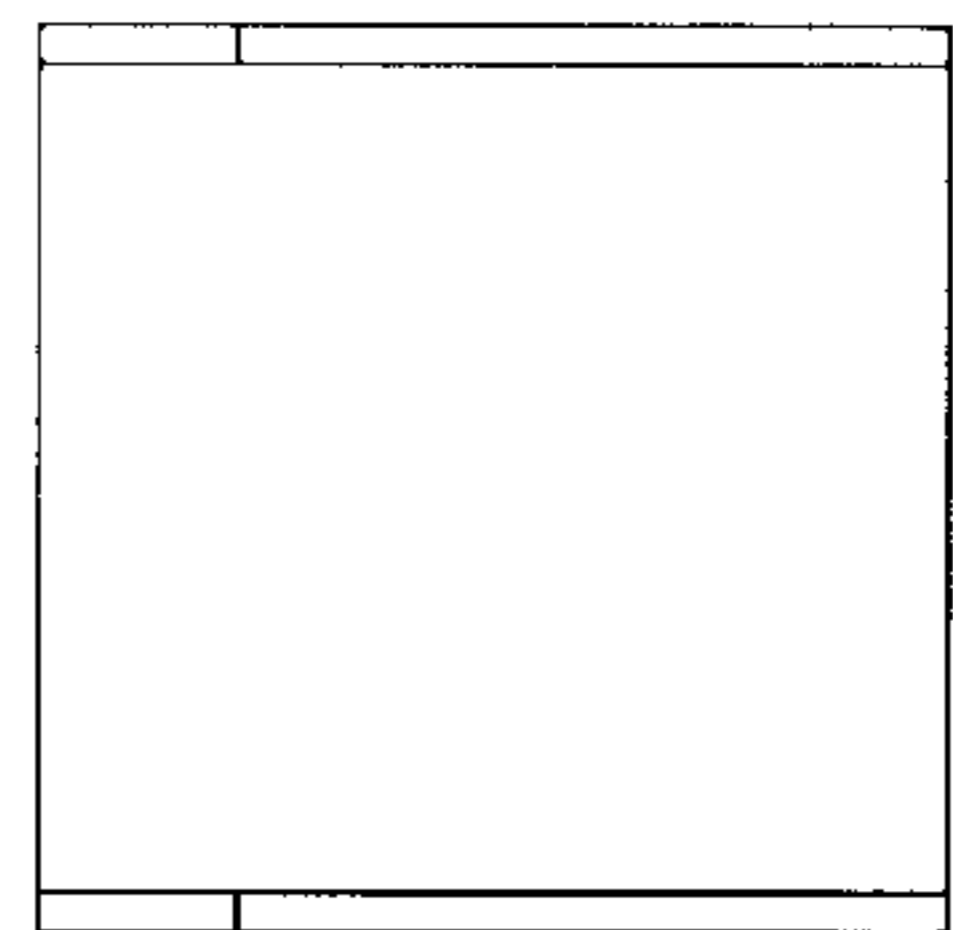


FIG. 5

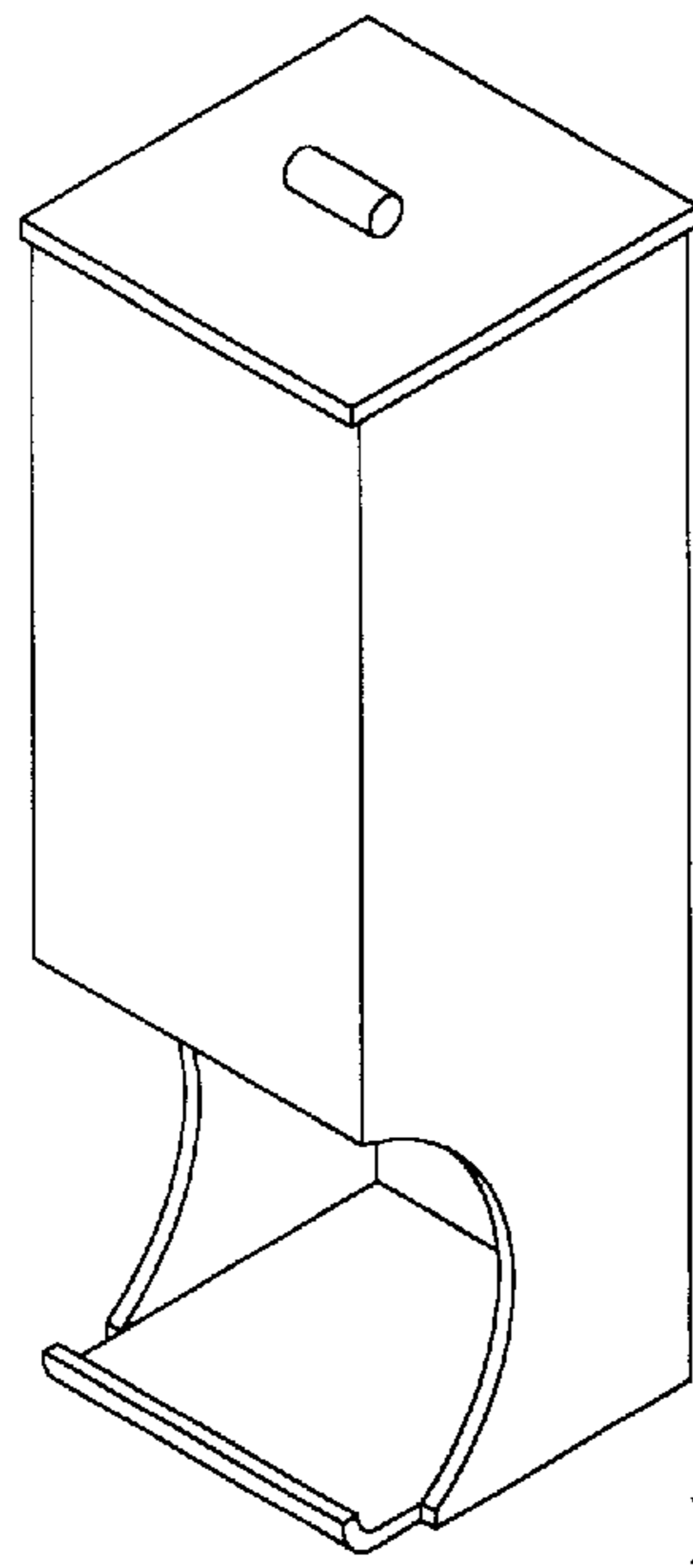


FIG. 6

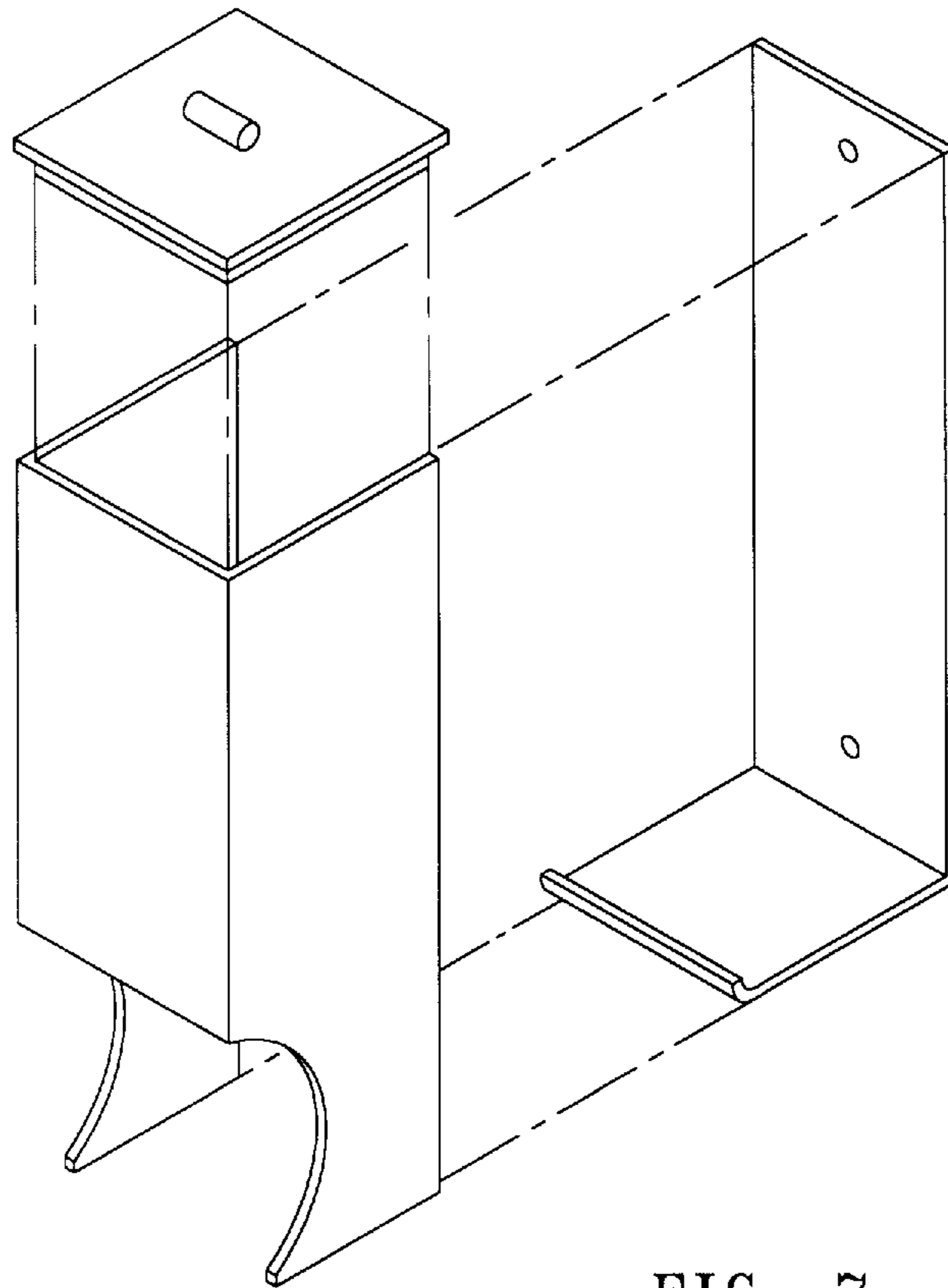


FIG. 7