



US00D407586S

United States Patent [19] Zaidman

[11] **Patent Number: Des. 407,586**

[45] **Date of Patent: **Apr. 6, 1999**

[54] **HEADBOARD**

[75] Inventor: **S. Paul Zaidman**, Winnipeg, Canada

[73] Assignee: **Palliser Furniture Ltd.**, Winnipeg, Canada

[**] Term: **14 Years**

[21] Appl. No.: **82,911**

[22] Filed: **Jan. 30, 1998**

[51] **LOC (6) Cl.** **06-01**

[52] **U.S. Cl.** **D6/505**

[58] **Field of Search** D6/382-384, 388-395, D6/505-508; 5/53.1, 279.1, 280, 281, 907

[56] **References Cited**

U.S. PATENT DOCUMENTS

D. 345,061	3/1994	Tyng	D6/393
D. 393,162	4/1998	Bargagli-Stoffi	D6/505
D. 393,163	4/1998	Zaidman	D6/505
1,803,862	5/1931	Morin	5/280

OTHER PUBLICATIONS

Catalogue photo of Palliser series 248-B Contemporary Master Bedroom, Sep. 1996.
Catalogue photos of Palliser series 235-B, 235-C, 235-D, 235-E, 235-F, 235-L Master Bedroom, Jan., 1992.

Primary Examiner—Janice E. Seeger
Attorney, Agent, or Firm—Woodard, Emhardt, Naughton, Moriarty & McNett

[57] **CLAIM**

The ornamental design for a headboard, as shown and described.

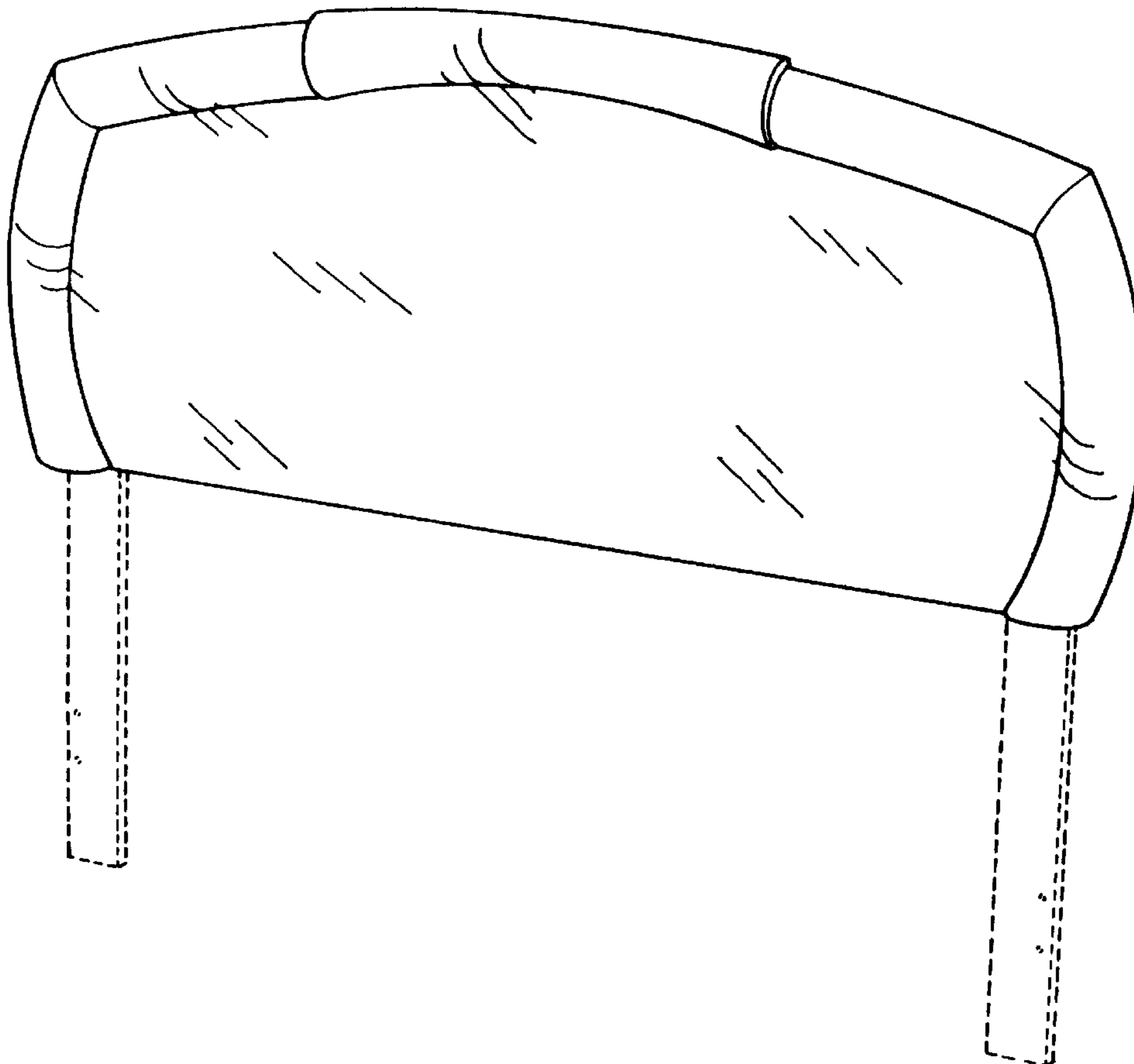
DESCRIPTION

FIG. 1 is a front view of a first embodiment of the design; FIG. 2 is a front, left side perspective view of the first embodiment of the design, and the front, right side perspective view is a mirror image; FIG. 3 is a right side view of the first embodiment of the design, and the left side view is the mirror image; FIG. 4 is a front view of a second embodiment of the design; FIG. 5 is a front, left side perspective view of the second embodiment of the design, and the front, right side perspective view is the mirror image; and, FIG. 6 is a right side view of the second embodiment of the design, and the left side view is a mirror image.

The rear and bottom views of the headboards are of plain and non-ornamental backs and bottoms, respectively.

The broken lines are for environmental purposes only and form no part of the claimed design.

1 Claim, 6 Drawing Sheets



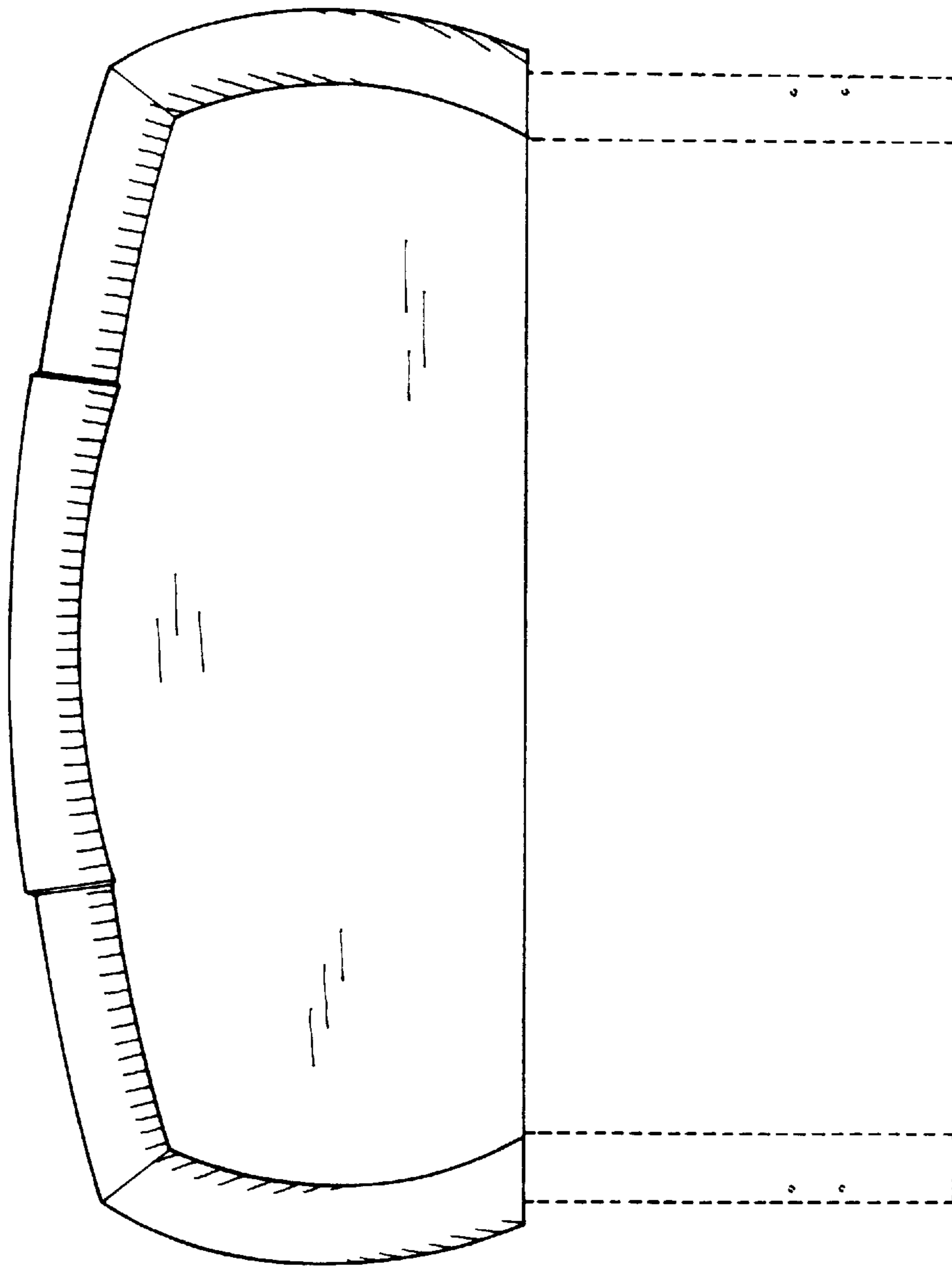


FIG. 1

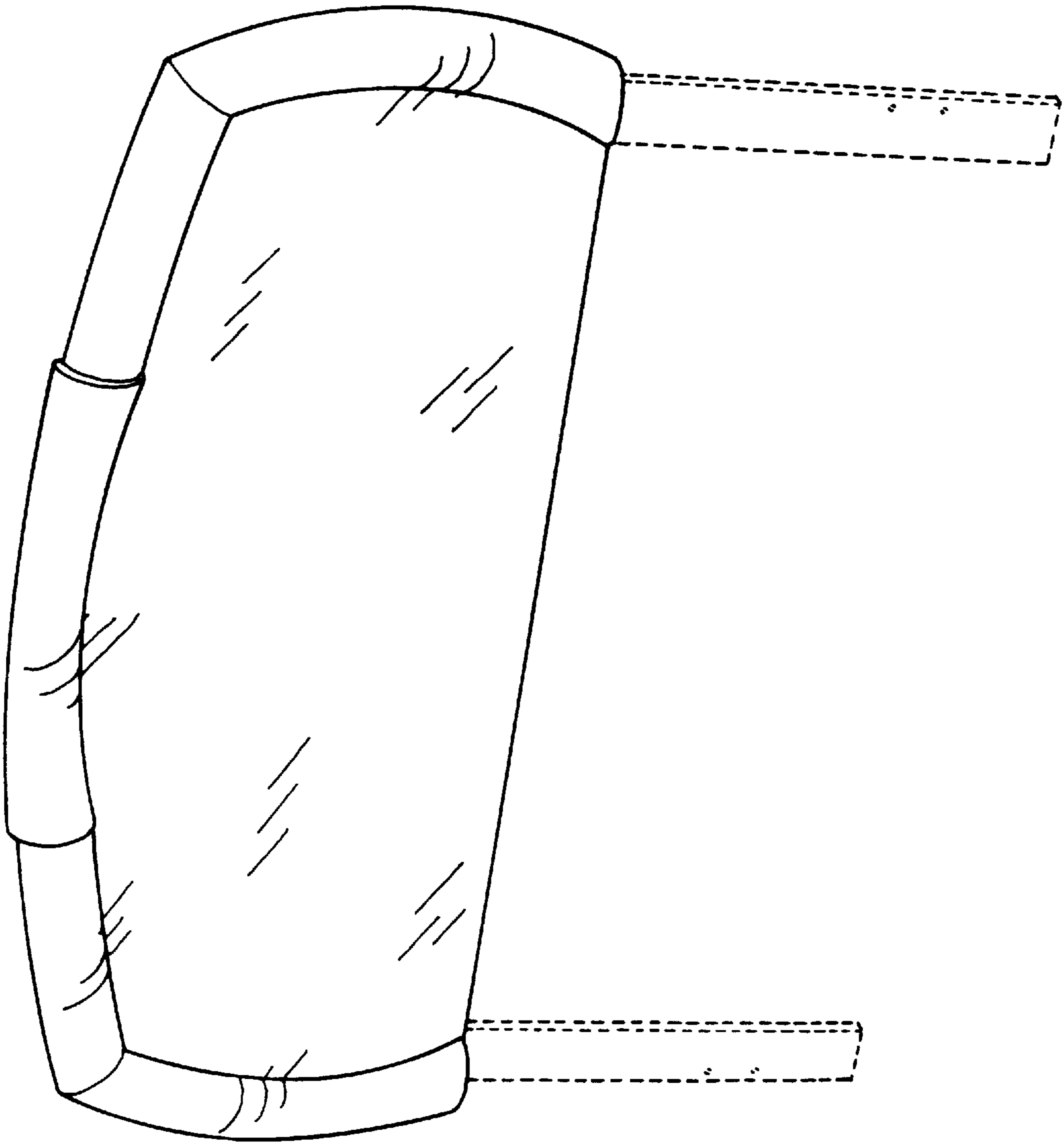


FIG. 2

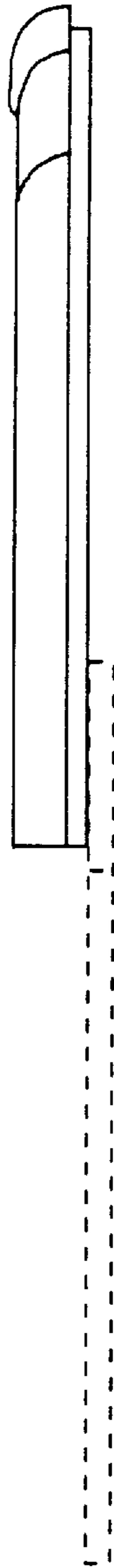


FIG. 3

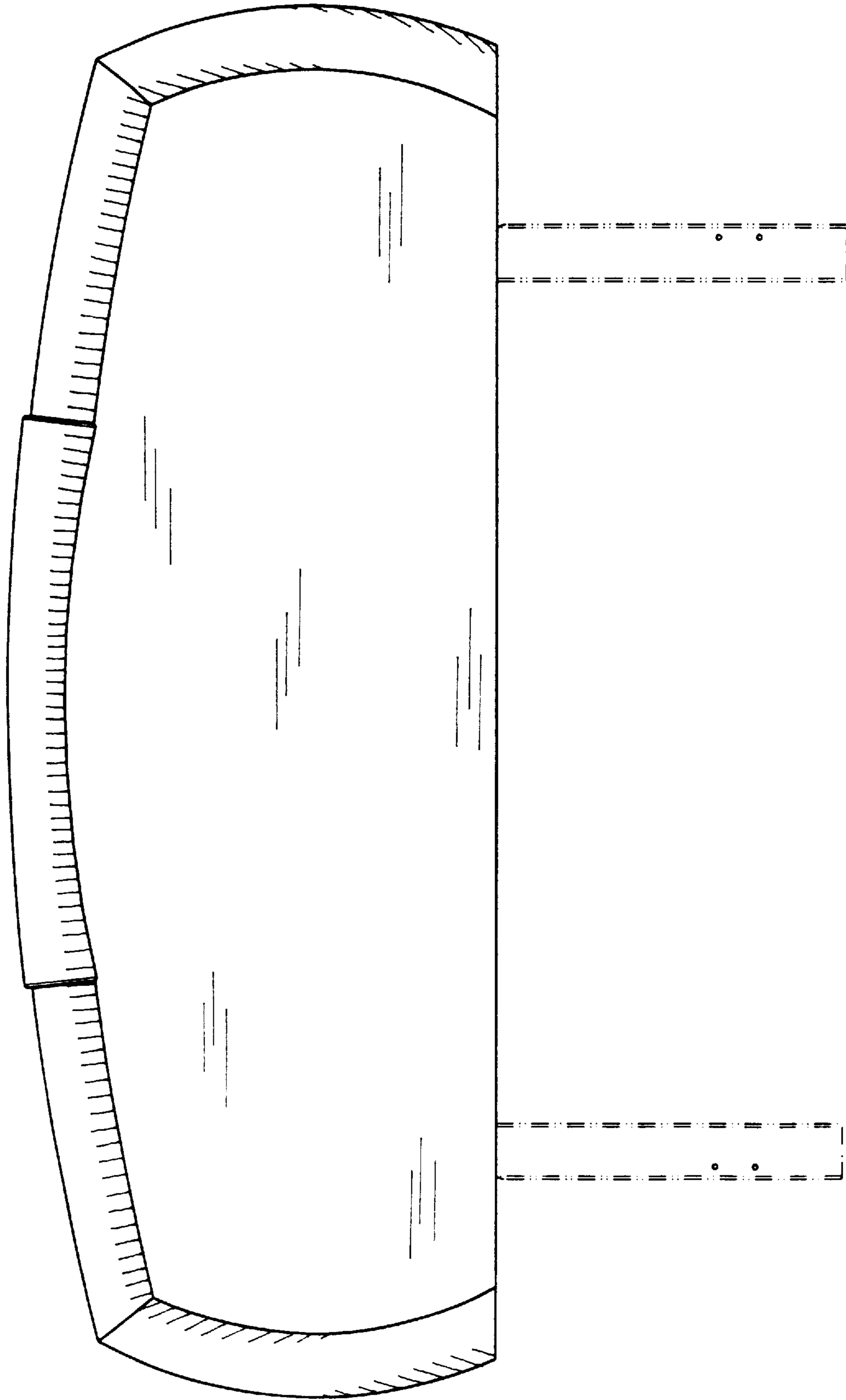


FIG. 4

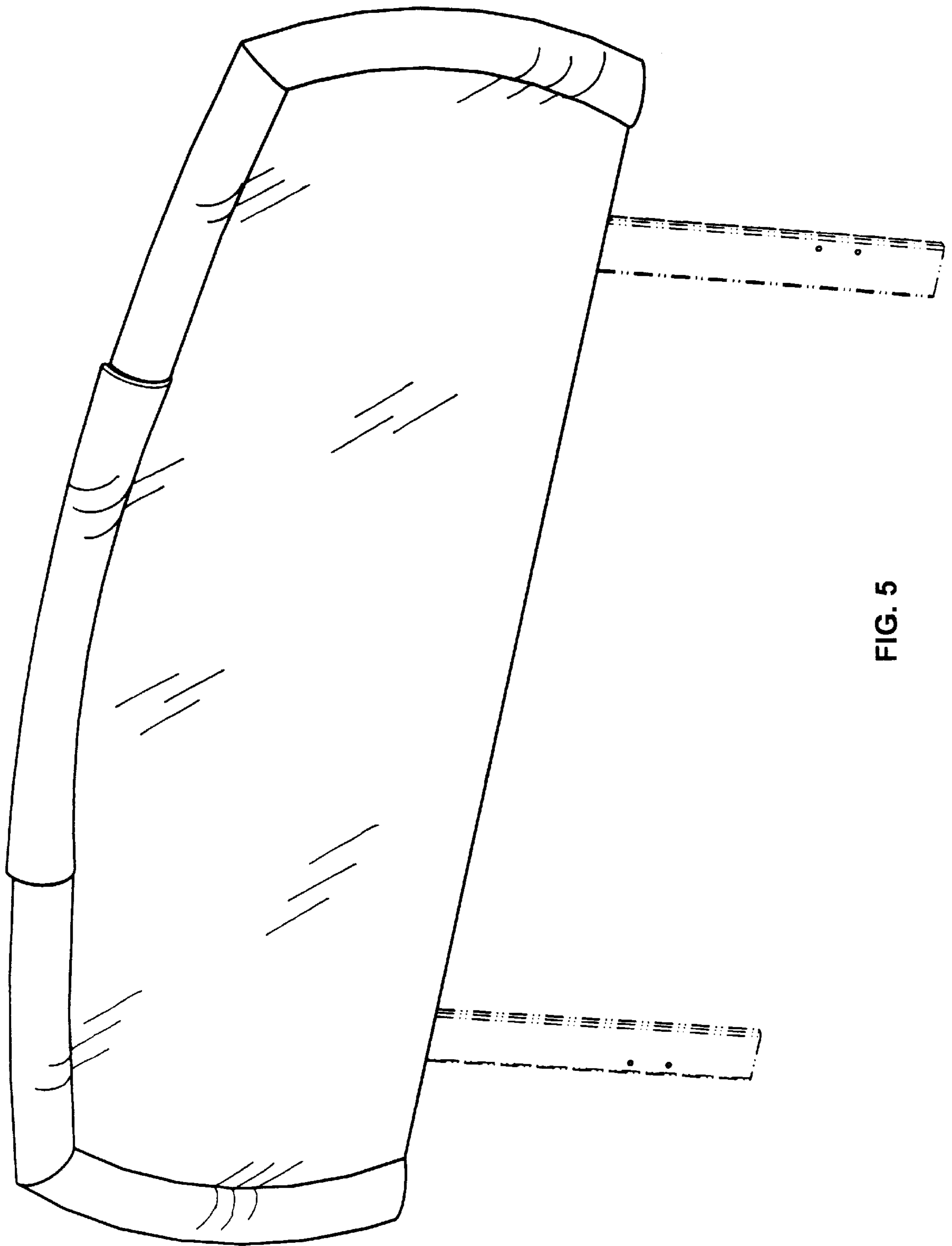


FIG. 5

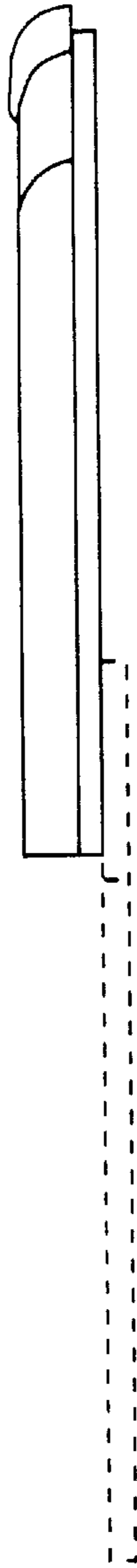


FIG. 6