



US00D407585S

United States Patent [19]
Burton

[11] **Patent Number: Des. 407,585**

[45] **Date of Patent: **Apr. 6, 1999**

[54] **COT ACCESSORY**

[75] Inventor: **Carl Burton**, Mid Giamorgan, United Kingdom

[73] Assignee: **G & S Safety Products Limited**, Mid Glamorgan, United Kingdom

[**] Term: **14 Years**

[21] Appl. No.: **75,873**

[22] Filed: **Jul. 24, 1997**

[30] **Foreign Application Priority Data**

May 20, 1997 [GB] United Kingdom 2065966

[51] **LOC (6) Cl.** **06-99**

[52] **U.S. Cl.** **D6/503; D6/491**

[58] **Field of Search** D6/491, 503, 390, D6/391, 510; 5/513, 512, 658, 424

[56] **References Cited**

U.S. PATENT DOCUMENTS

D. 34,491 5/1901 Luther D6/503

883,884 4/1908 Hopkins 5/513
2,659,904 11/1953 McGinnis 5/513
5,560,058 10/1996 Smith 5/513

FOREIGN PATENT DOCUMENTS

810 258 3/1959 United Kingdom .
2 113 987 8/1983 United Kingdom .

Primary Examiner—Janice E. Seeger
Attorney, Agent, or Firm—Merchant, Gould, Smith, Edell, Welter & Schmidt

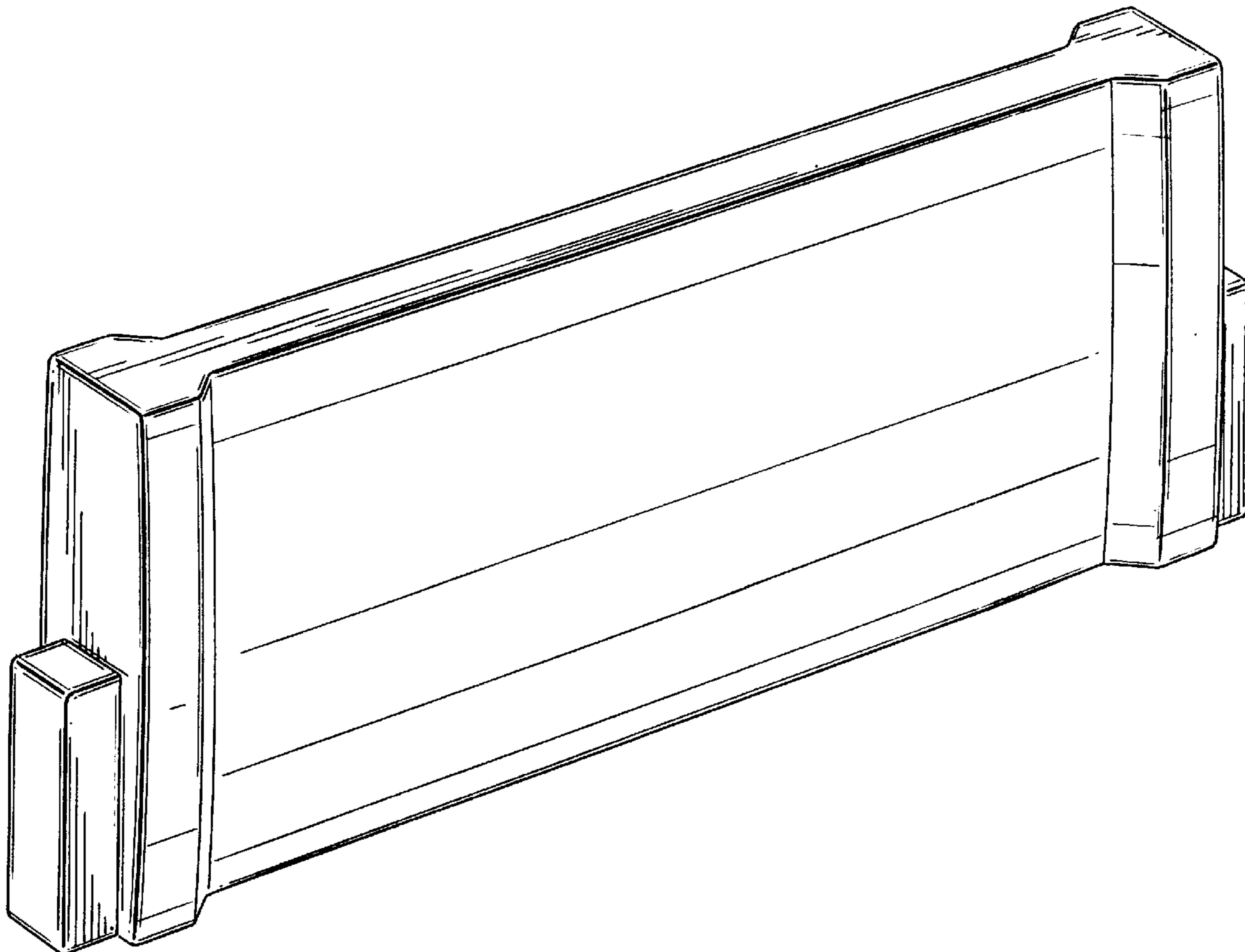
[57] **CLAIM**

The ornamental design for cot accessory, as shown and described.

DESCRIPTION

FIG. 1 is a perspective view of the cot accessory;
FIG. 2 is a front elevation view thereof (the rear elevation corresponds);
FIG. 3 is an end elevation view thereof (the other end corresponds); and,
FIG. 4 is a plan view thereof (the underneath view corresponds).

1 Claim, 2 Drawing Sheets



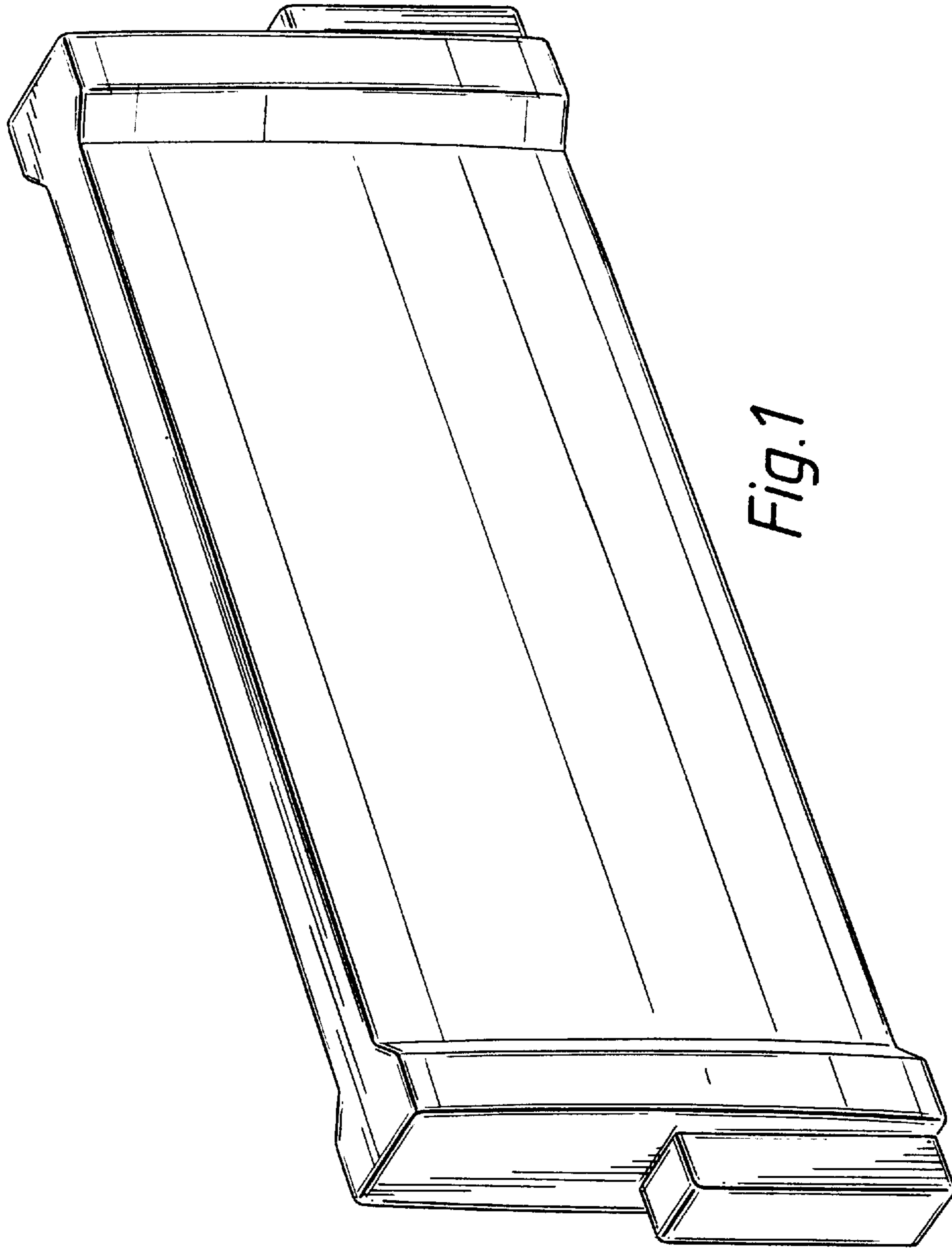


Fig. 1

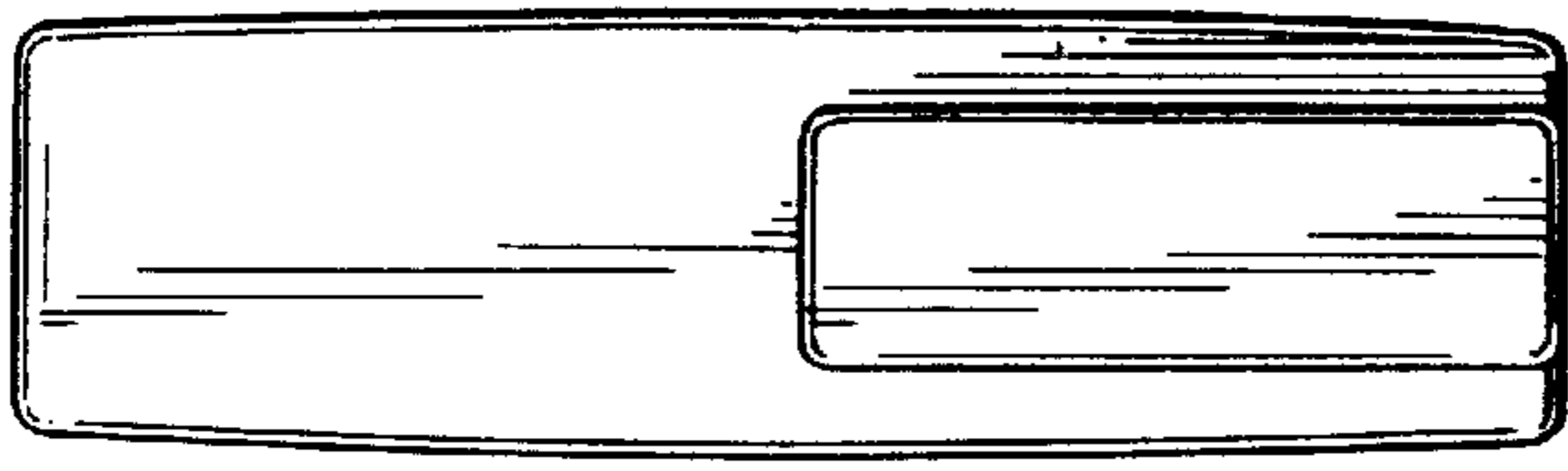


Fig. 3

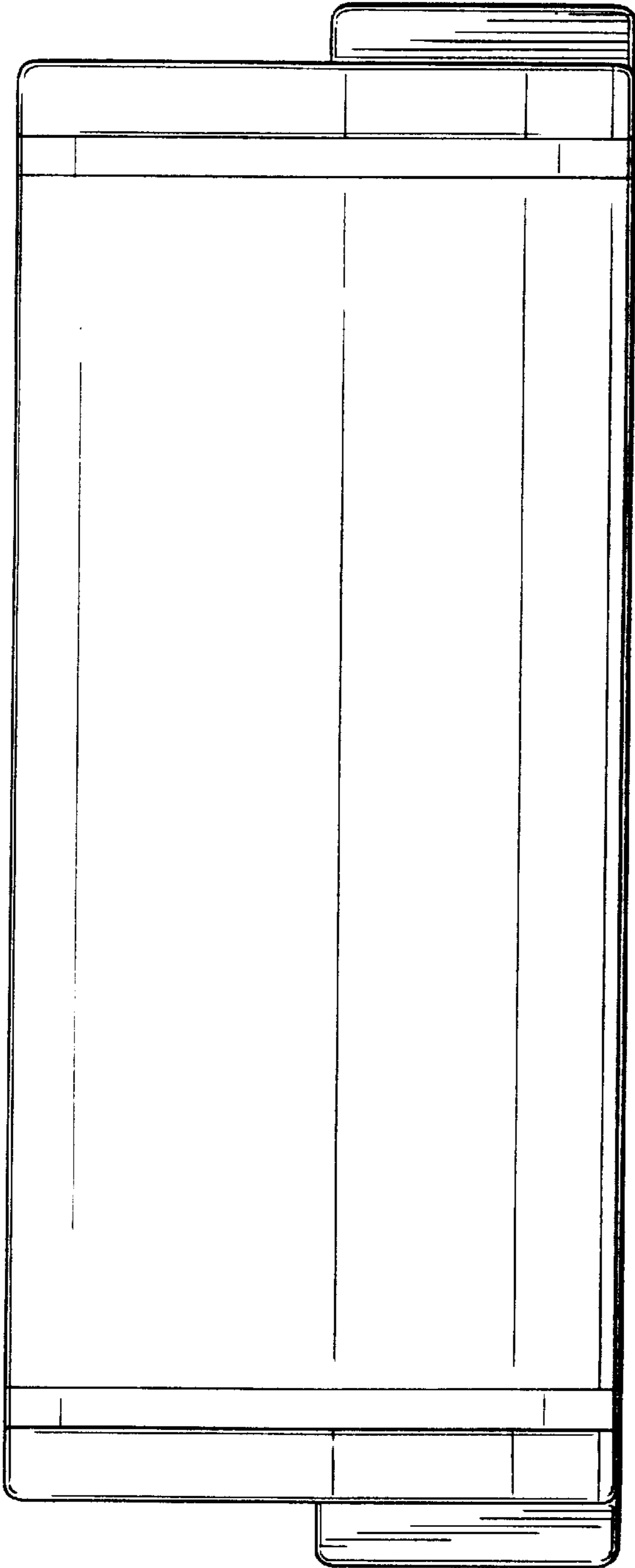


Fig. 2

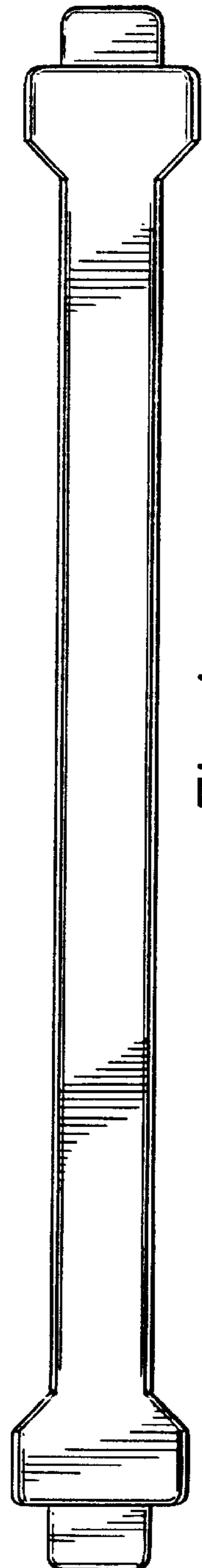


Fig. 4