



US00D407584S

United States Patent [19]
Haney et al.

[11] **Patent Number: Des. 407,584**
[45] **Date of Patent: **Apr. 6, 1999**

[54] **CHAIR**

[75] Inventors: **Trevor R. Haney**, Wyoming; **Douglas G. Oswald**, Grand Rapids, both of Mich.

[73] Assignee: **American Seating Company**, Grand Rapids, Mich.

[**] Term: **14 Years**

[21] Appl. No.: **79,631**

[22] Filed: **Dec. 8, 1997**

[51] **LOC (6) Cl.** **06-06**

[52] **U.S. Cl.** **D6/500; D6/368; D6/374**

[58] **Field of Search** D6/334, 335, 362, D6/368, 371, 373, 374, 379, 380, 381, 500, 501, 502; 297/232, 331, 335, 337

[56] **References Cited**

U.S. PATENT DOCUMENTS

- D. 318,577 7/1991 Chadwick et al. .
- D. 346,282 4/1994 Wilcox et al. .
- D. 347,330 5/1994 Kinsman D6/334
- D. 381,214 7/1997 Haney et al. .

- D. 386,320 11/1997 King D6/368
- 3,077,364 2/1963 Eppink 297/335
- 3,655,239 4/1972 Agosti 297/331

FOREIGN PATENT DOCUMENTS

- 69354 10/1991 Canada .
- 72100 1/1993 Canada .
- 73270 9/1993 Canada .

Primary Examiner—Gary D. Watson
Attorney, Agent, or Firm—Dickinson Wright PLLC

[57] **CLAIM**

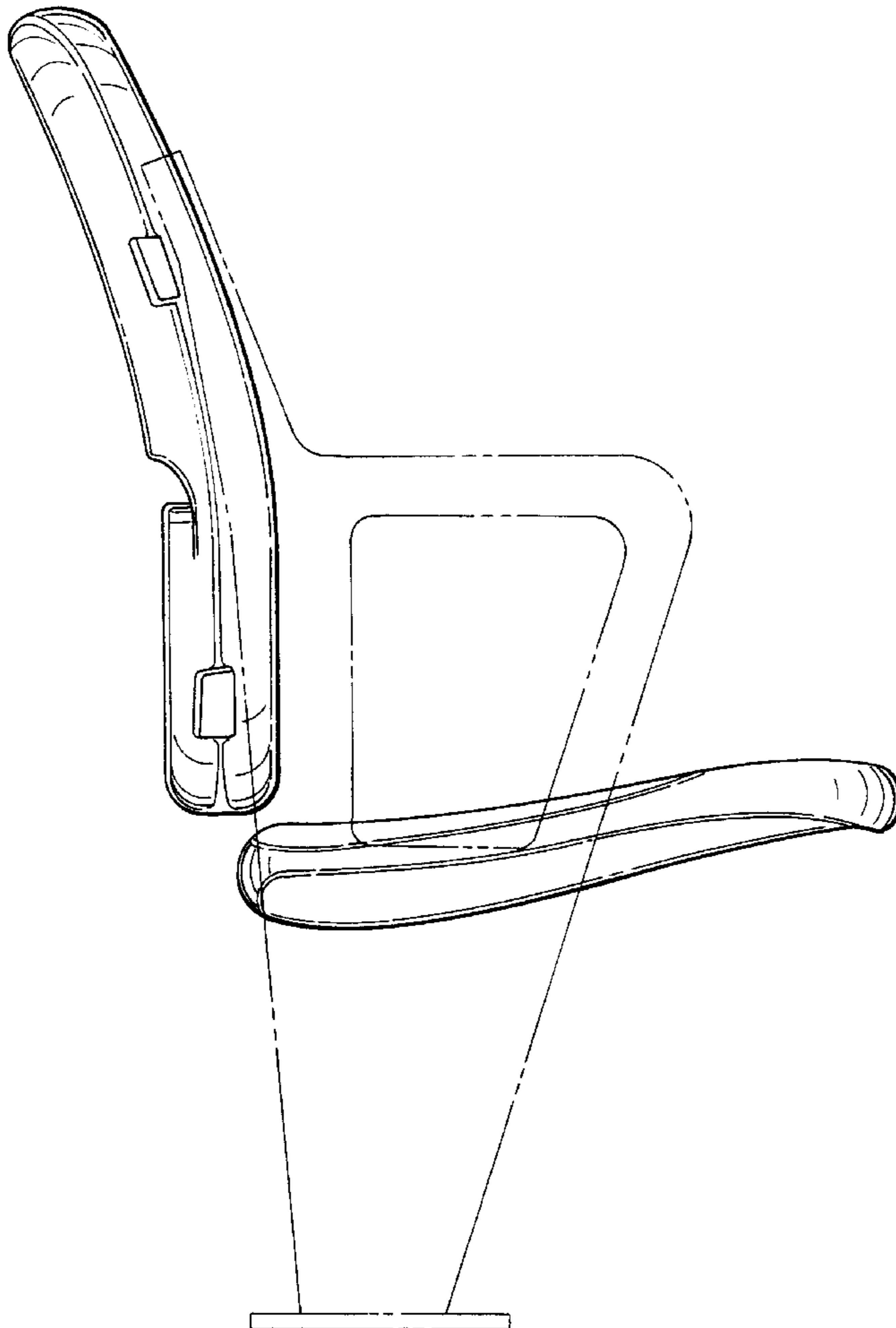
The ornamental design for a chair, as shown and described.

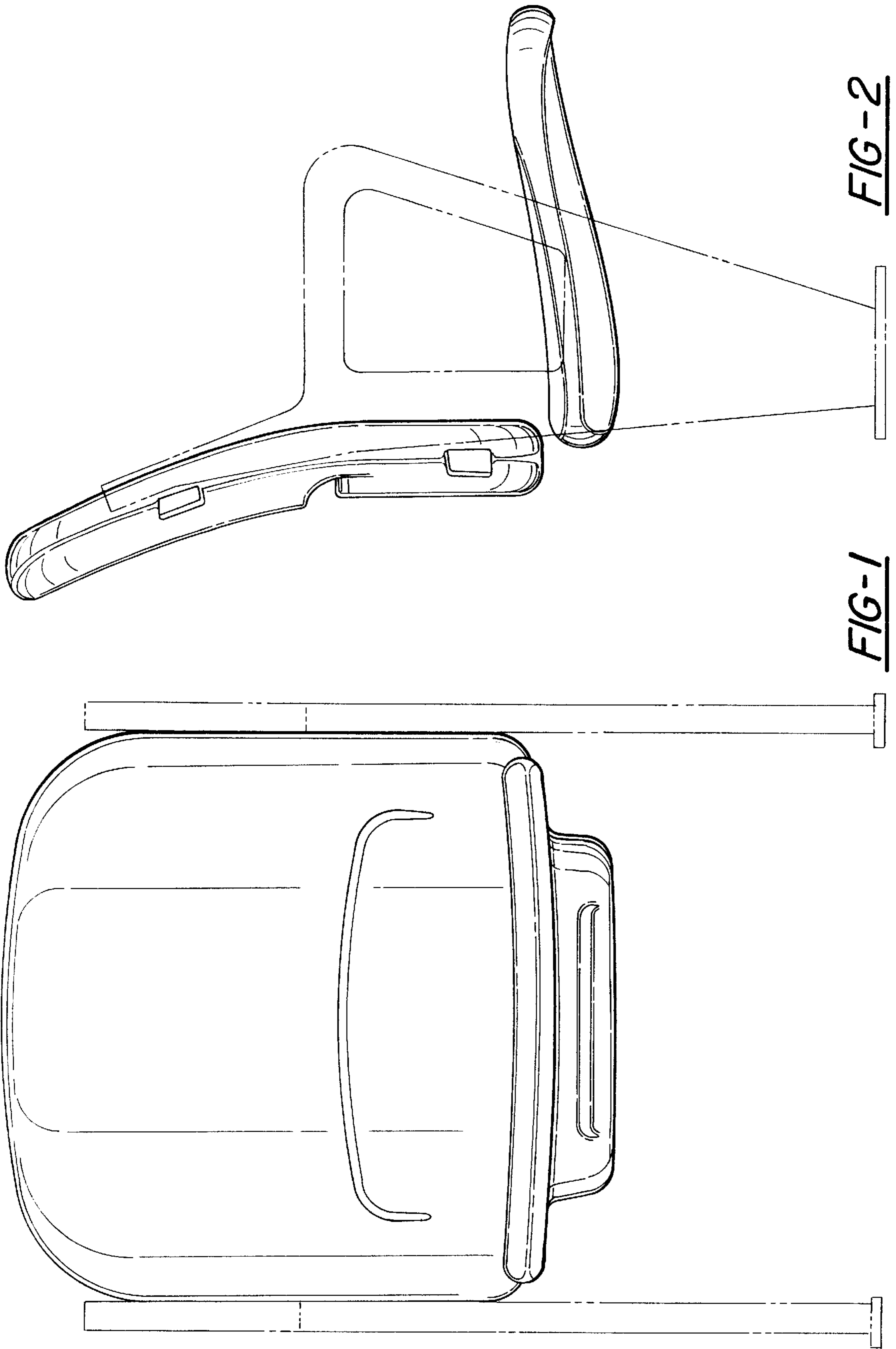
DESCRIPTION

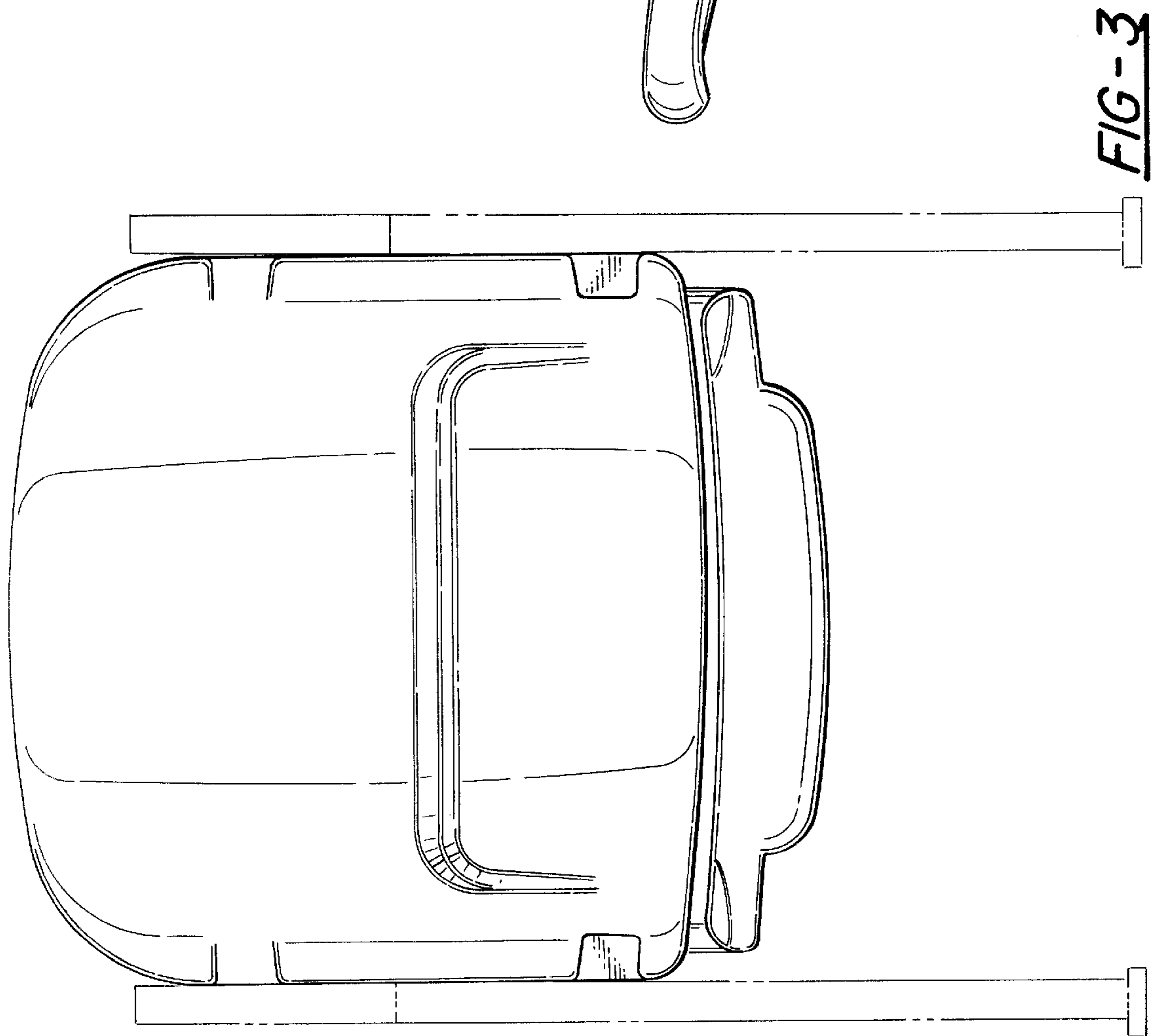
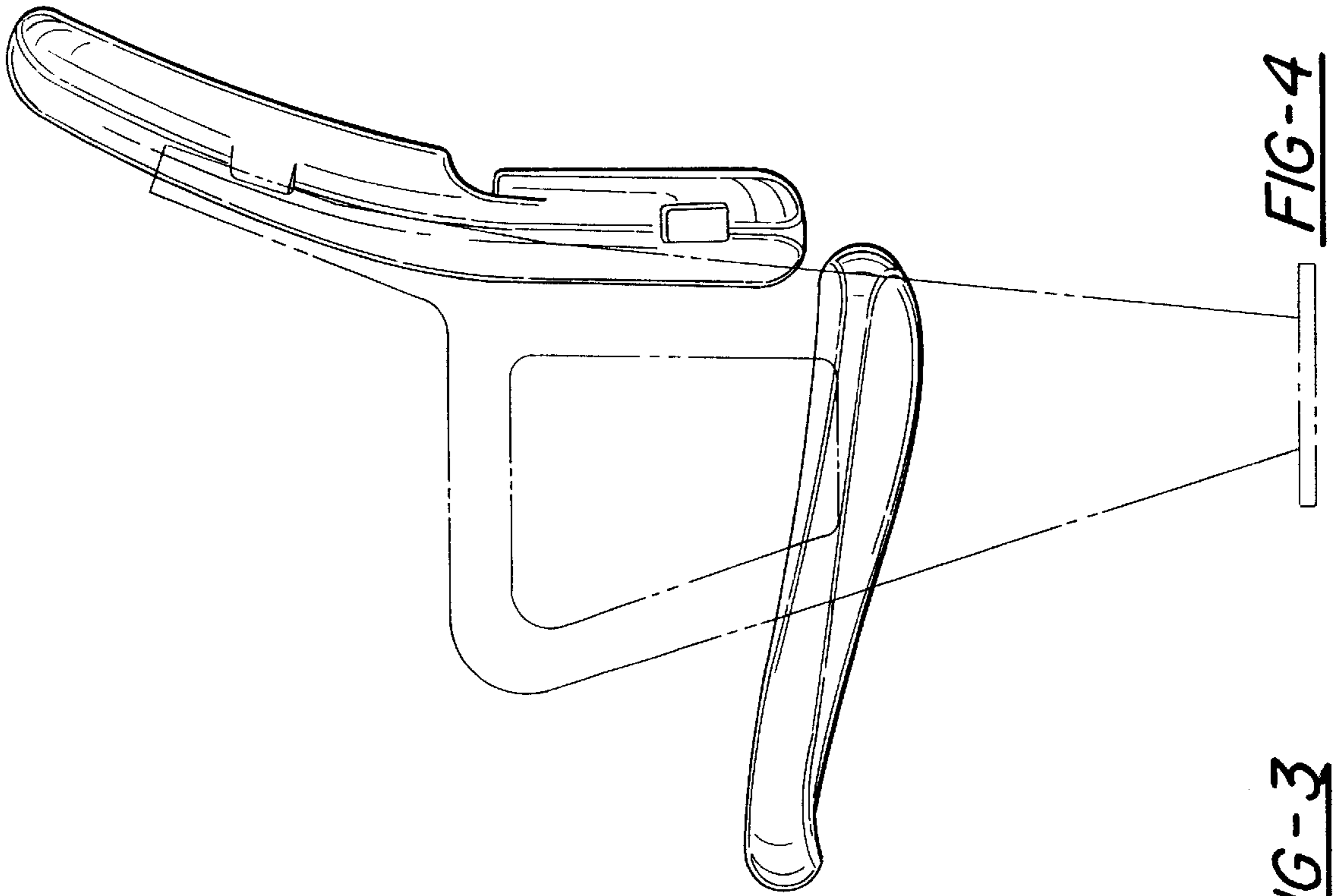
FIG. 1 is a front elevational view;
FIG. 2 is a right side elevational view;
FIG. 3 is a rear elevational view;
FIG. 4 is a left side elevational view;
FIG. 5 is a top view; and,
FIG. 6 is a bottom view.

The end frames shown in broken lines are for illustrative purposes only and form no part of the claimed design.

1 Claim, 3 Drawing Sheets







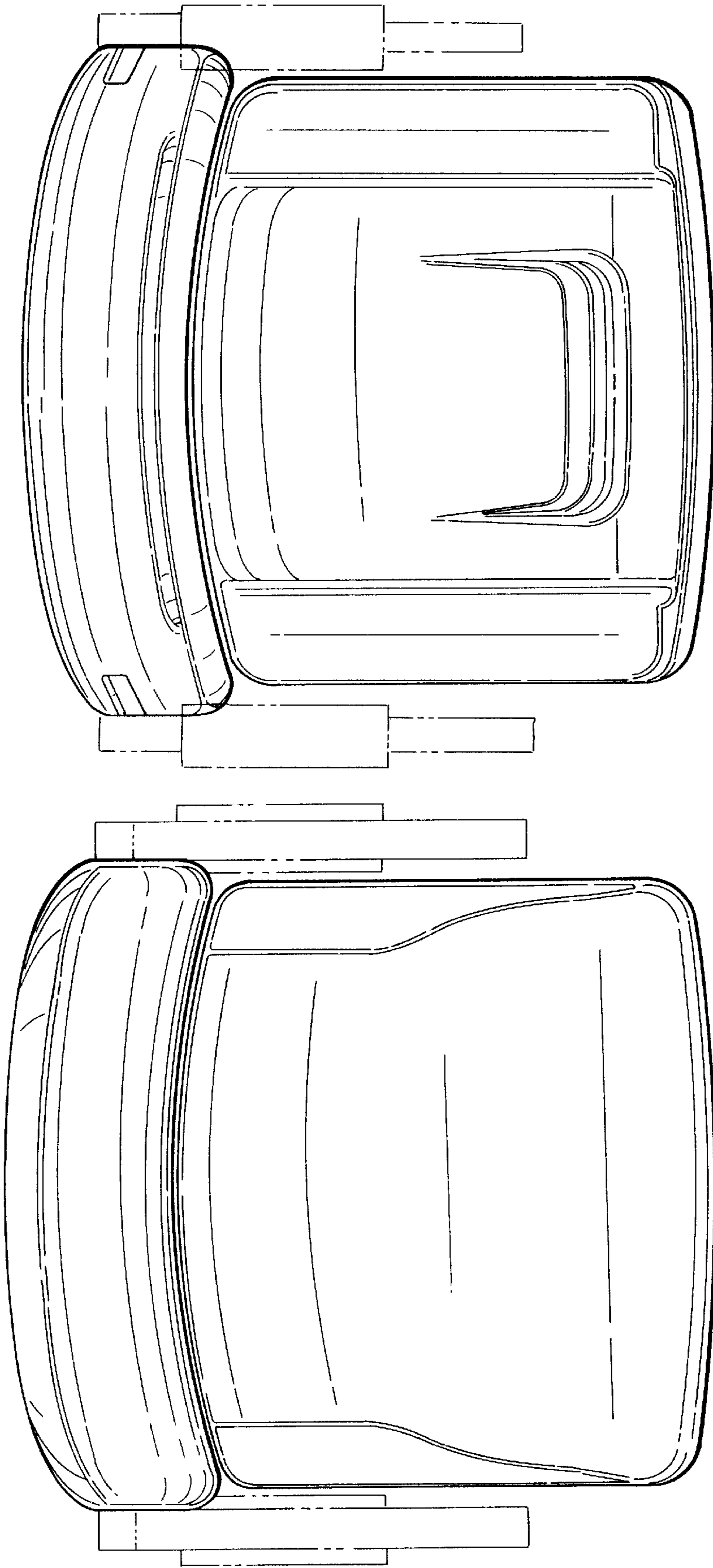


FIG-6

FIG-5