



US00D407583S

United States Patent [19]

Perl

[11] **Patent Number: Des. 407,583**

[45] **Date of Patent: **Apr. 6, 1999**

[54] **CHAIR BASE**

[75] Inventor: **Ludovic A. Perl**, Thornhill, Canada

[73] Assignee: **Shepherd Products Inc.**, Canada

[**] Term: **14 Years**

[21] Appl. No.: **79,766**

[22] Filed: **Nov. 25, 1997**

[51] **LOC (6) Cl. 06-01**

[52] **U.S. Cl. D6/498**

[58] **Field of Search** D6/364, 365, 366,
D6/498, 500, 501, 502; 248/188, 188.1,
188.7, 188.9

[56] **References Cited**

U.S. PATENT DOCUMENTS

D. 184,407	2/1959	McKinley	D6/498
D. 259,756	7/1981	Albinson	D6/196
D. 266,722	11/1982	Stephens	D6/196
D. 273,925	5/1984	Caruso	D6/196
D. 276,396	11/1984	Locher	D6/498
D. 278,869	5/1985	Bohl	D6/366
D. 285,629	9/1986	Franck et al.	D6/366
D. 289,707	5/1987	Favaretto	D6/366
D. 290,193	6/1987	Harter et al.	D6/366
D. 304,399	11/1989	Caruso et al.	D6/498
D. 312,011	11/1990	Caruso et al.	D6/498
D. 312,013	11/1990	Aronowitz et al.	D6/498
D. 321,299	11/1991	Caruso et al.	D6/498
D. 333,933	3/1993	Feinbloom	D6/498
D. 336,395	6/1993	Sulzer	D6/498
D. 348,573	7/1994	Obata et al.	D6/366
D. 360,550	7/1995	Ford	D6/498
D. 366,377	1/1996	Perl	D6/498
D. 367,573	3/1996	Larkin	D6/498
D. 368,607	4/1996	Liu	D6/498

D. 369,928	5/1996	Larkin	D6/498
D. 370,790	6/1996	Dammerman	D6/366
5,048,780	9/1991	Borsani	248/188.7

Primary Examiner—Gary D. Watson
Attorney, Agent, or Firm—Lee, Mann, Smith, McWilliams,
Sweeney & Ohlson

[57] **CLAIM**

The ornamental design for a chair base, as shown and described.

DESCRIPTION

FIG. 1 is a perspective view of a chair base incorporating the design of the present invention;
 FIG. 2 is a top plan view of the chair base;
 FIG. 3 is a side elevational view of the chair base positioned such that the center of the view is between two legs of the base;
 FIG. 4 is a side elevational view of the chair base positioned such that one of the legs of the base is in the center of the view;
 FIG. 5 is a bottom plan view of the chair base;
 FIG. 6 is an enlarged cross-sectional view of one of the legs in FIG. 2 taken along the lines 6—6 near the center of the chair base, shown for purposes of bringing out the transitional design elements of the legs of the chair base as the leg design changes from the hub to the outer leg end;
 FIG. 7 is an enlarged cross-sectional view of one of the legs in FIG. 2 taken along the lines 7—7 at the midpoint of the leg, shown for purposes of bringing out the transitional design elements of the legs of the chair base as the leg design changes from the hub to the outer leg end; and,
 FIG. 8 is an enlarged cross-sectional view of one of the legs in FIG. 2 taken along the lines 8—8 near the end of the leg, shown for purposes of bringing out the transitional design elements of the legs of the chair base.

1 Claim, 3 Drawing Sheets

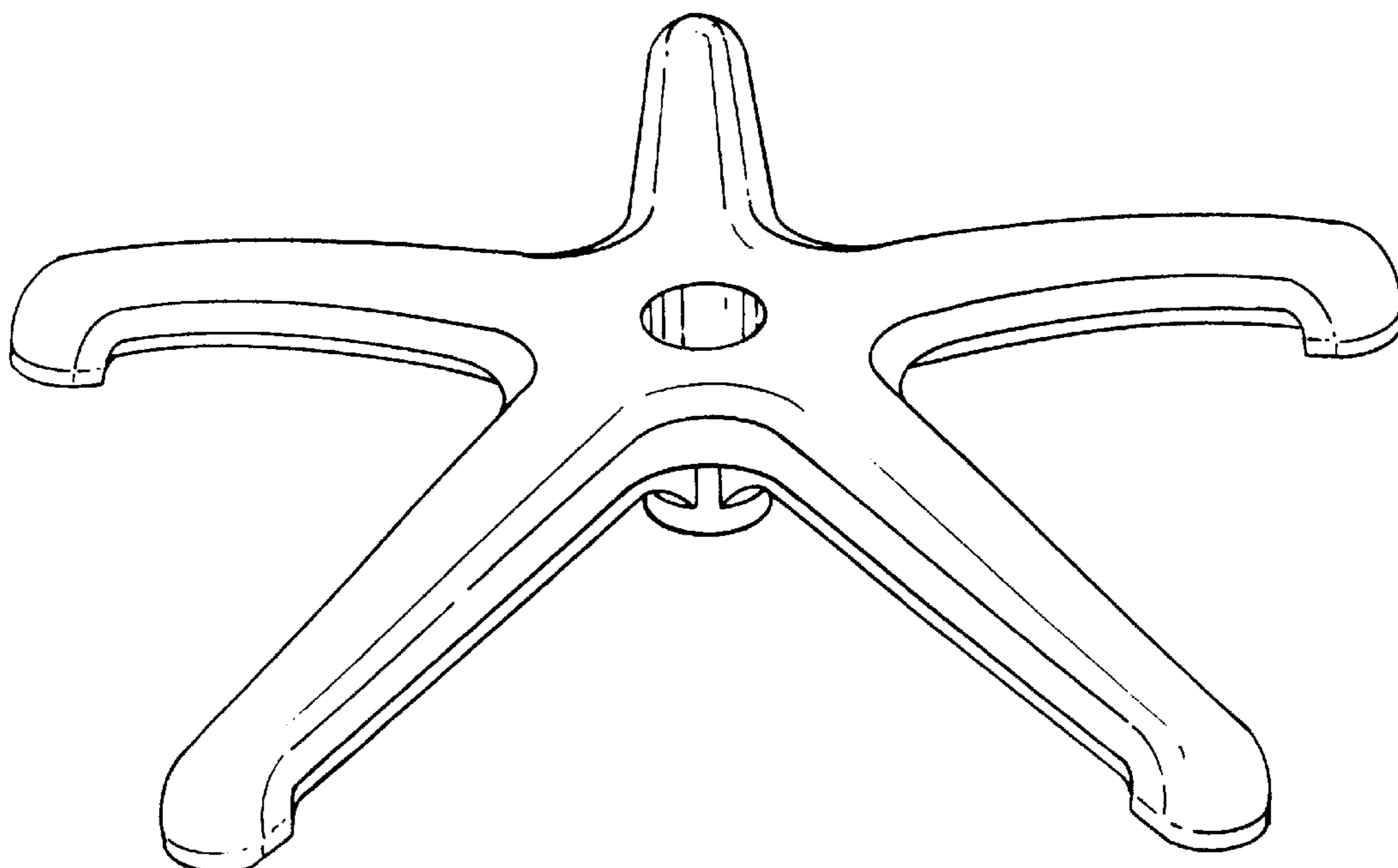


FIG. 1

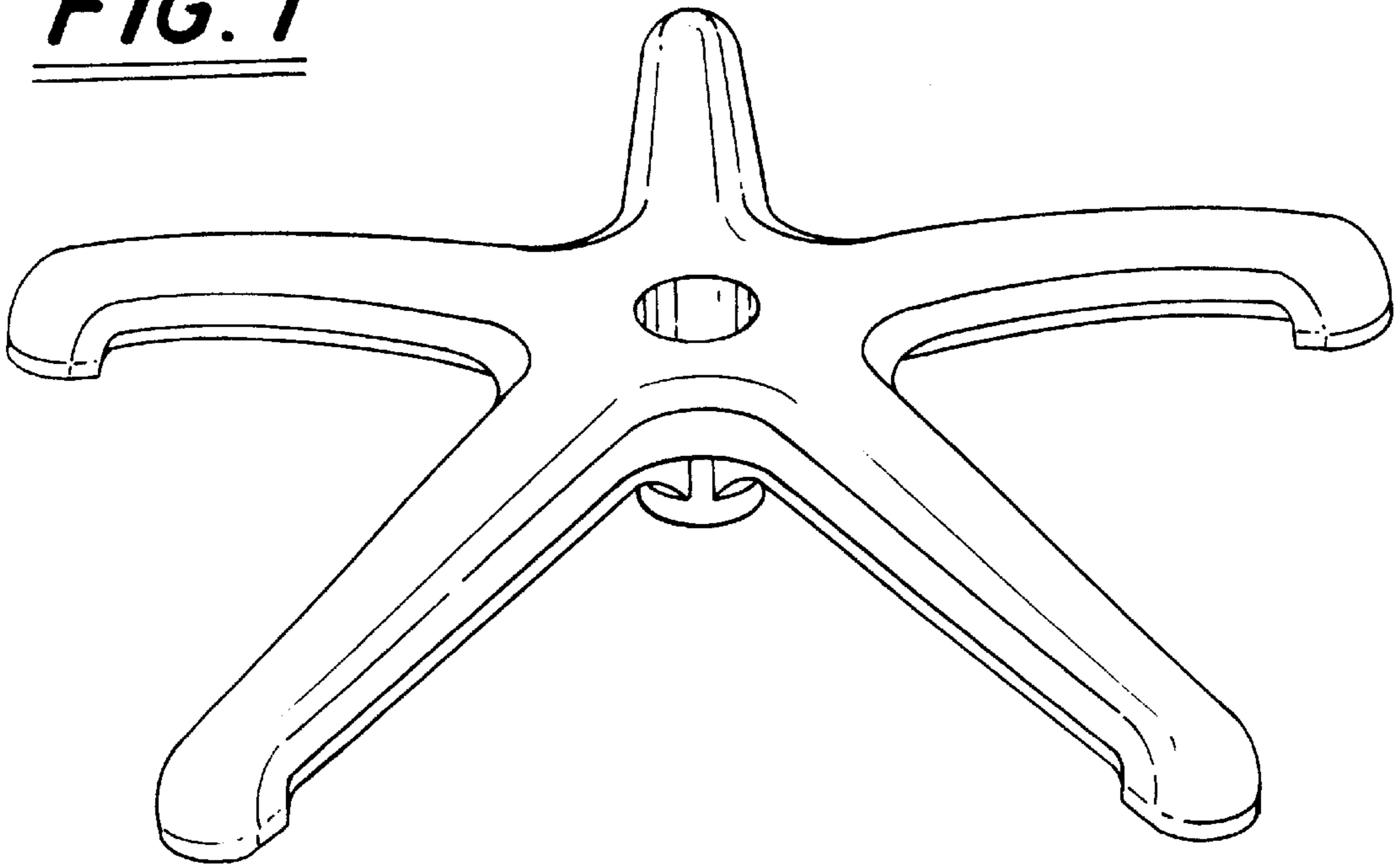


FIG. 2

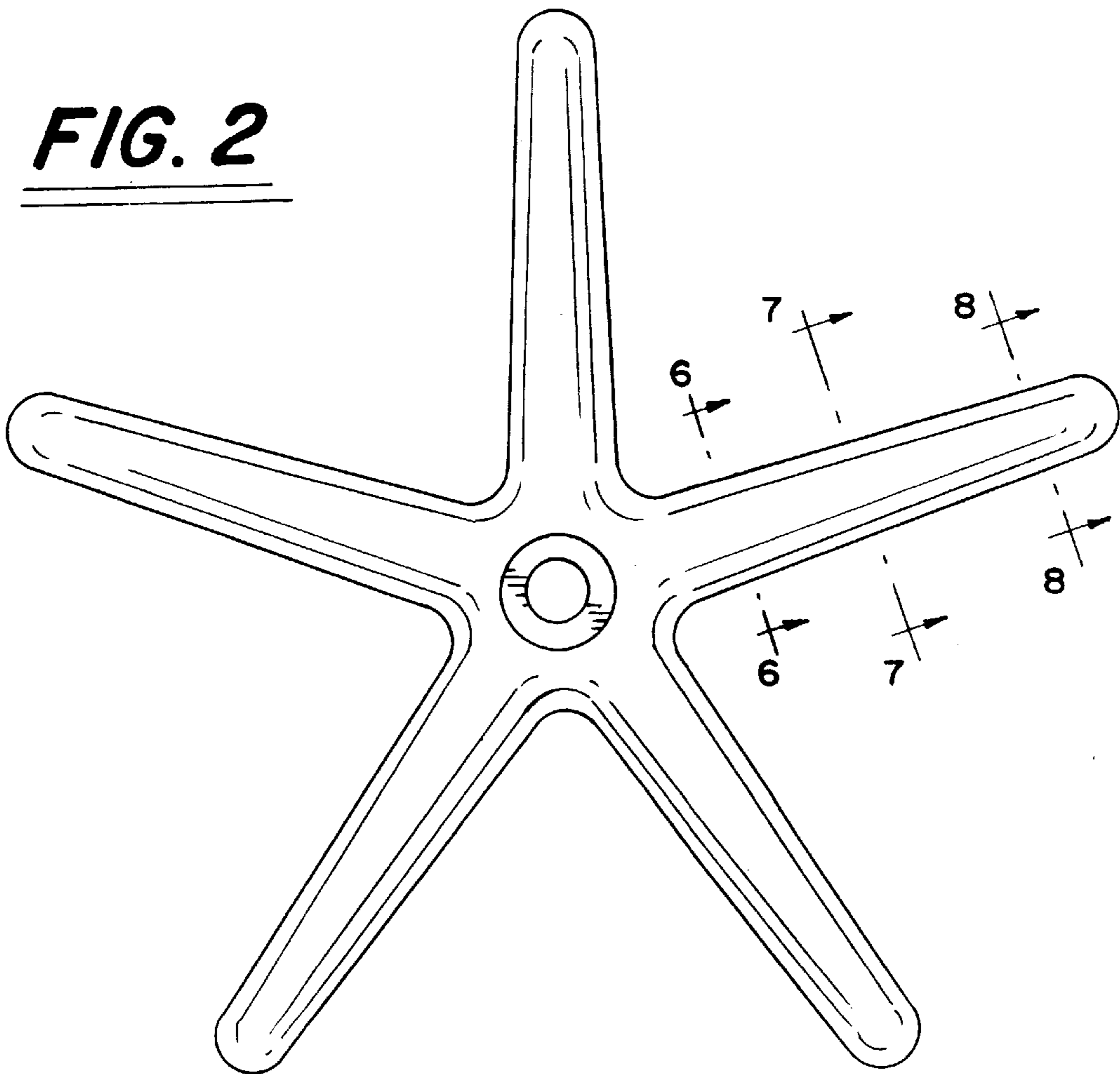


FIG. 3

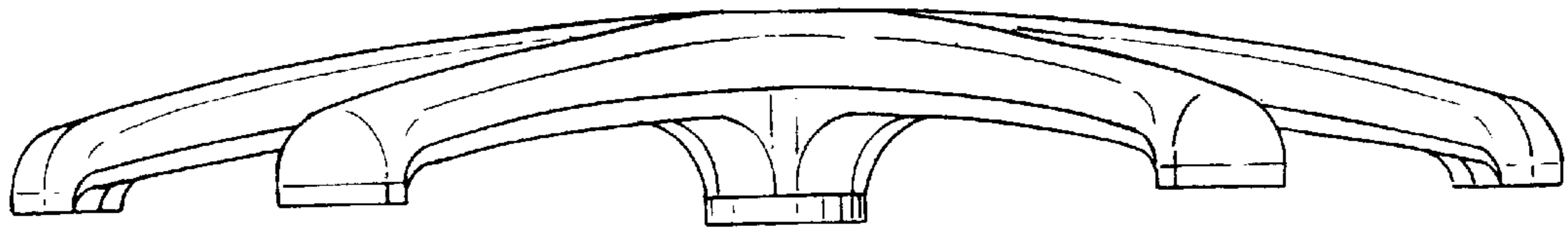


FIG. 4

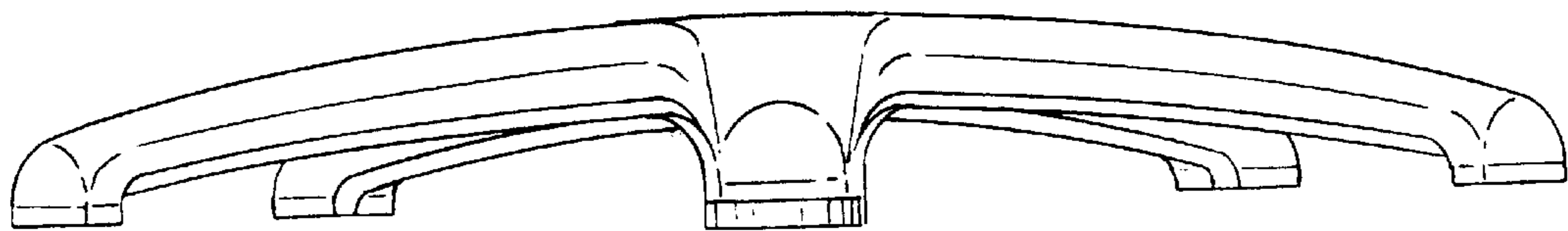


FIG. 5

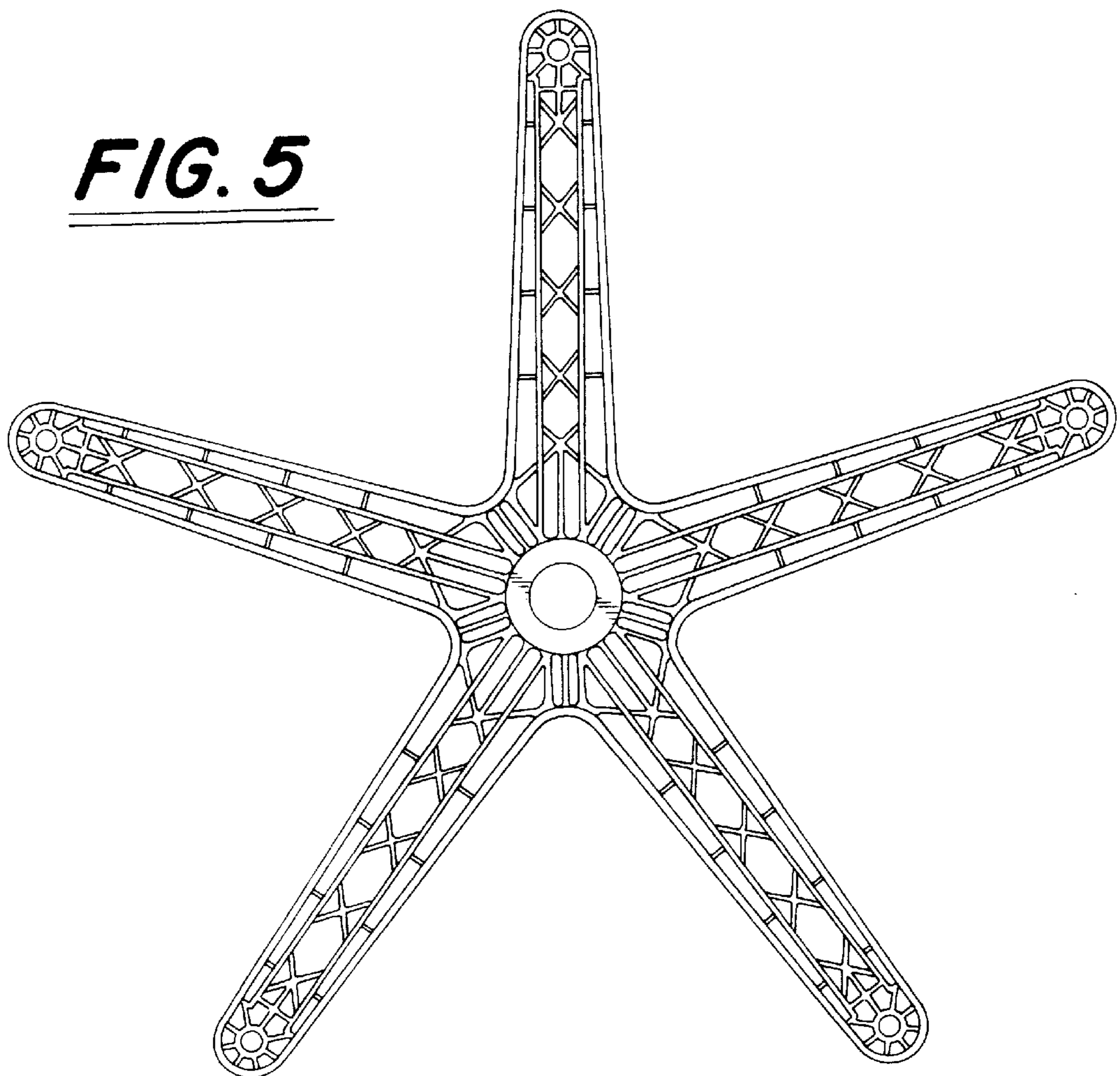


FIG. 6

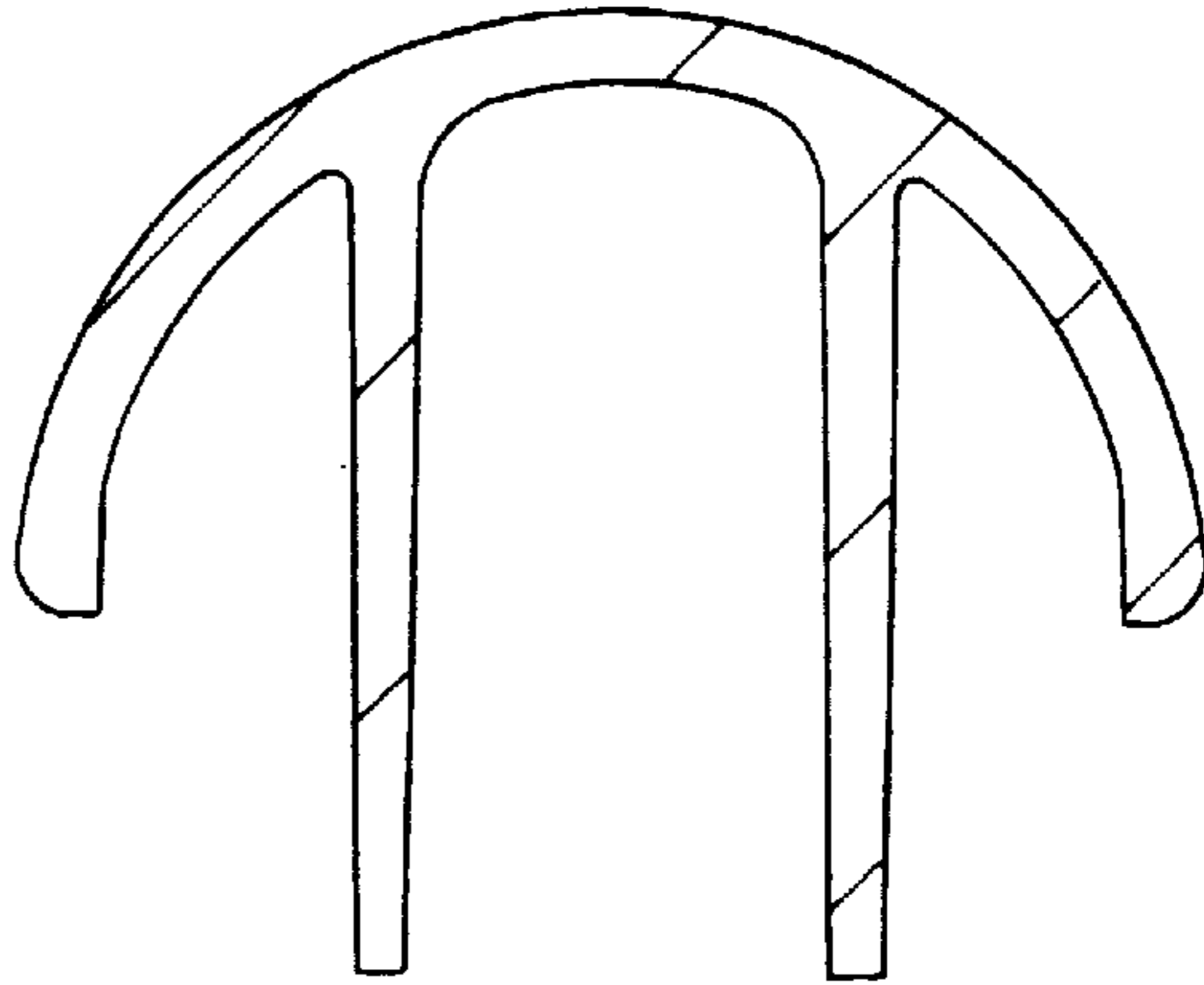


FIG. 7

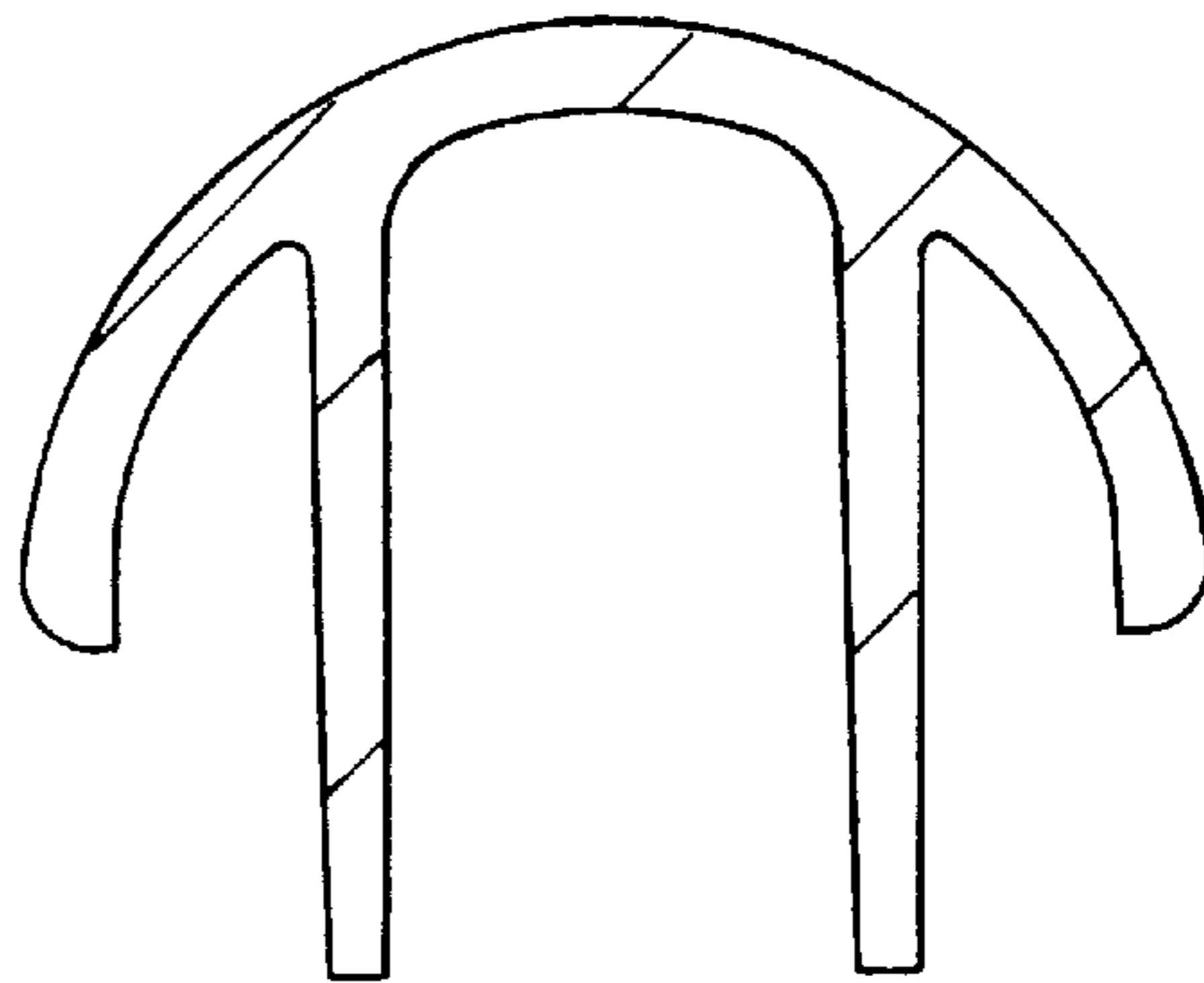


FIG. 8

