



US00D407582S

# United States Patent [19] Dardashti

[11] **Patent Number: Des. 407,582**

[45] **Date of Patent: \*\*Apr. 6, 1999**

[54] **STORAGE AND DISPLAY STAND**

[76] Inventor: **Shahriar Dardashti**, c/o Atlantic, Inc.,  
10240 Matern Pl., P.O. Box 2399, Santa  
Fe Springs, Calif. 90670

[\*\*] Term: **14 Years**

[21] Appl. No.: **76,321**

[22] Filed: **Jul. 16, 1997**

### Related U.S. Application Data

[60] Division of Ser. No. 61,102, Oct. 16, 1996, which is a  
continuation-in-part of Ser. No. 50,639, Feb. 20, 1996, Pat.  
No. Des. 387,226.

[51] **LOC (6) Cl.** ..... **06-04**

[52] **U.S. Cl.** ..... **D6/479; D6/397**

[58] **Field of Search** ..... D6/405, 397, 407,  
D6/629, 630, 461, 462, 465, 477, 479;  
D26/51, 52, 58, 105, 106; 211/40, 41.12,  
42, 43, 134, 135, 186-188, 153, 194; 108/59,  
60, 90, 91, 110, 151, 144, 101, 111; 362/253,  
410, 414

[56] **References Cited**

#### U.S. PATENT DOCUMENTS

Re. 28,293 1/1975 Bustos ..... 108/144  
D. 51,055 7/1917 Board ..... D6/461

(List continued on next page.)

#### FOREIGN PATENT DOCUMENTS

12759 12/1909 Denmark .  
39111369 10/1990 Denmark .  
193201 9/1986 European Pat. Off. .... 108/107  
0285193 11/1987 European Pat. Off. .  
476729 3/1992 European Pat. Off. .... 108/59  
1144164 10/1957 France .  
2217917 8/1974 France .  
2217917 9/1974 France .  
525985 5/1931 Germany .  
588668 11/1933 Germany .  
3911136 4/1989 Germany .  
9012805 9/1990 Germany .  
90 12 805 2 12/1990 Germany .

495730 9/1970 Switzerland .  
495730 10/1970 Switzerland .  
168883 8/1991 Taiwan .  
210175 7/1993 Taiwan .  
211687 8/1993 Taiwan .

### OTHER PUBLICATIONS

Salamander Designs "Archetype System" Advertisement—  
Copyright 1997 Salamander Designs Ltd.

*Primary Examiner*—James Gandy  
*Assistant Examiner*—Linda Brooks  
*Attorney, Agent, or Firm*—Oppenheimer Wolff & Donnelly  
LLP

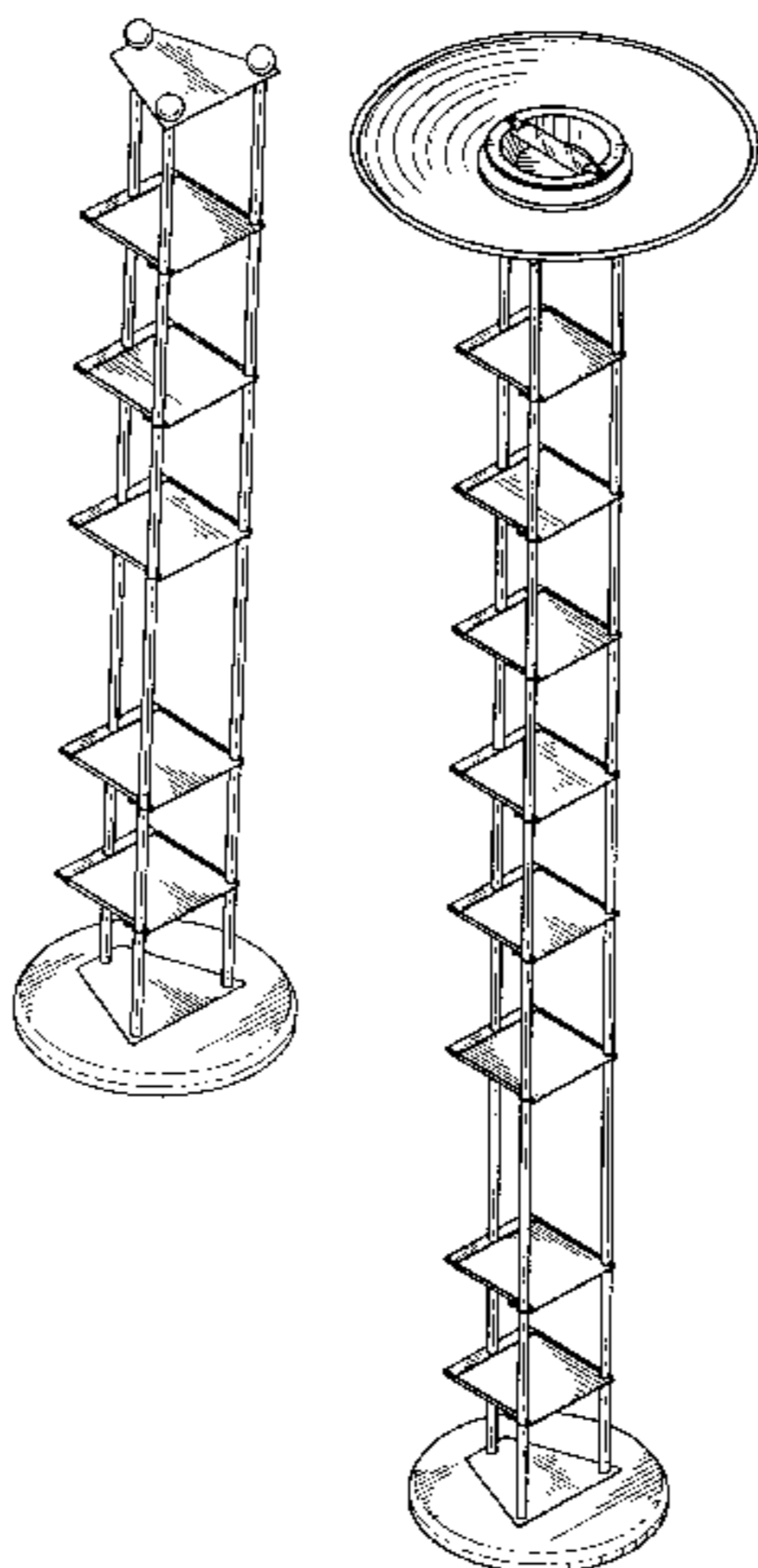
[57] **CLAIM**

The ornamental design for a storage and display stand, as  
shown and described.

### DESCRIPTION

FIG. 1 is a perspective view of a storage and display stand  
showing my new design;  
FIG. 2 is a top plan view thereof;  
FIG. 3 is a bottom plan view thereof;  
FIG. 4 is a right side elevational view thereof; the left side  
elevational view being a mirror image thereof;  
FIG. 5 is a front elevational view thereof;  
FIG. 6 is a rear elevational view thereof;  
FIG. 7 is a perspective view of a second embodiment  
thereof;  
FIG. 8 is a top plan view thereof;  
FIG. 9 is a bottom plan view thereof;  
FIG. 10 is a right side elevational view thereof; the left side  
elevational view being a mirror image thereof;  
FIG. 11 is a front elevational view thereof;  
FIG. 12 is a rear elevational view thereof;  
FIG. 13 is a perspective view of a third embodiment thereof;  
FIG. 14 is a top plan view thereof;  
FIG. 15 is a bottom plan view thereof;  
FIG. 16 is a right side elevational view thereof; the left side  
elevational view being a mirror image thereof;  
FIG. 17 is a front elevational view thereof; and,  
FIG. 18 is a rear elevational view thereof;

**1 Claim, 7 Drawing Sheets**



U.S. PATENT DOCUMENTS				
		861,053	3/1907	Wittbold ..... 108/92
		900,331	10/1908	Weston ..... 108/101
D. 109,389	4/1938	1,265,373	5/1918	Philip ..... 211/187 X
D. 129,636	9/1941	1,688,048	7/1928	Irvine .
D. 134,294	11/1942	2,143,592	1/1939	Baldeck ..... 211/134
D. 152,330	1/1949	2,646,175	2/1953	Beauvais et al. .
D. 153,046	3/1949	3,684,285	8/1972	Kane ..... 211/188 X
D. 193,258	7/1962	3,730,601	5/1973	Misenheimer, III ..... 108/60 X
D. 205,114	6/1966	3,788,242	1/1974	Hassel et al. .... 108/111
D. 233,294	10/1974	3,834,324	9/1974	Lang ..... 108/91
D. 233,379	10/1974	3,877,396	4/1975	Patterson ..... 108/111
D. 237,432	11/1975	4,136,623	1/1979	Dickson ..... 108/111
D. 241,101	8/1976	4,262,439	4/1981	Dinan et al. .... 40/607
D. 244,499	5/1977	4,345,526	8/1982	Streit ..... 108/111
D. 305,836	2/1990	4,351,244	9/1982	Suttles ..... 108/111 X
D. 307,988	5/1990	4,442,778	4/1984	Lang ..... 108/111
D. 316,643	5/1991	4,469,232	9/1984	Lusch ..... 211/189
D. 318,280	7/1991	4,574,709	3/1986	Lackey et al. .... 108/111
D. 321,296	11/1991	4,678,089	7/1987	Lang ..... 211/133
D. 325,137	4/1992	4,940,150	7/1990	Spengler ..... 211/194 X
D. 339,485	9/1993	4,953,719	9/1990	Spamer ..... 211/188
D. 353,376	12/1994	4,961,506	10/1990	Lang ..... 211/188
D. 357,331	4/1995	5,048,429	9/1991	Freiberg ..... 108/106
D. 359,648	6/1995	5,117,989	6/1992	Ross ..... 211/144
D. 360,276	7/1995	5,195,642	3/1993	Dardashti ..... 211/40
D. 360,329	7/1995	5,314,077	5/1994	Theosabrata ..... 211/40
D. 363,626	10/1995	5,341,943	8/1994	Fraser ..... 211/40
D. 368,396	4/1996	5,358,124	10/1994	Mueller ..... 211/41.12
D. 368,544	4/1996	5,370,242	12/1994	Huang ..... 211/194 X
D. 368,815	4/1996	5,487,599	1/1996	Weisburn et al. .... 312/9.46
D. 370,330	5/1996	5,584,398	12/1996	Lin ..... 211/40
D. 387,226	12/1997	5,595,312	1/1997	Dardashti .
D. 387,236	12/1997			

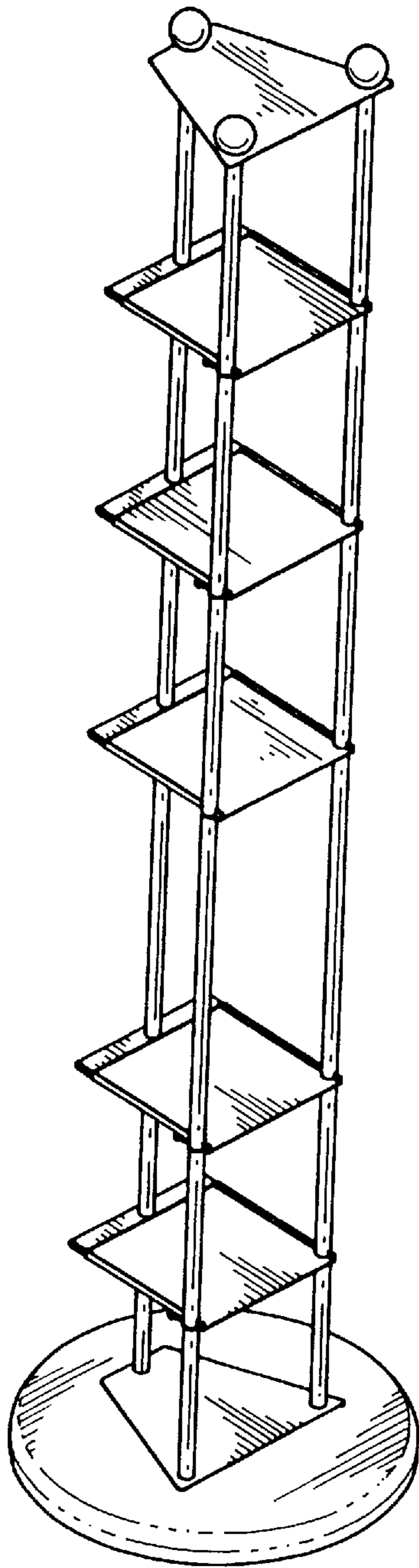


FIG. 1

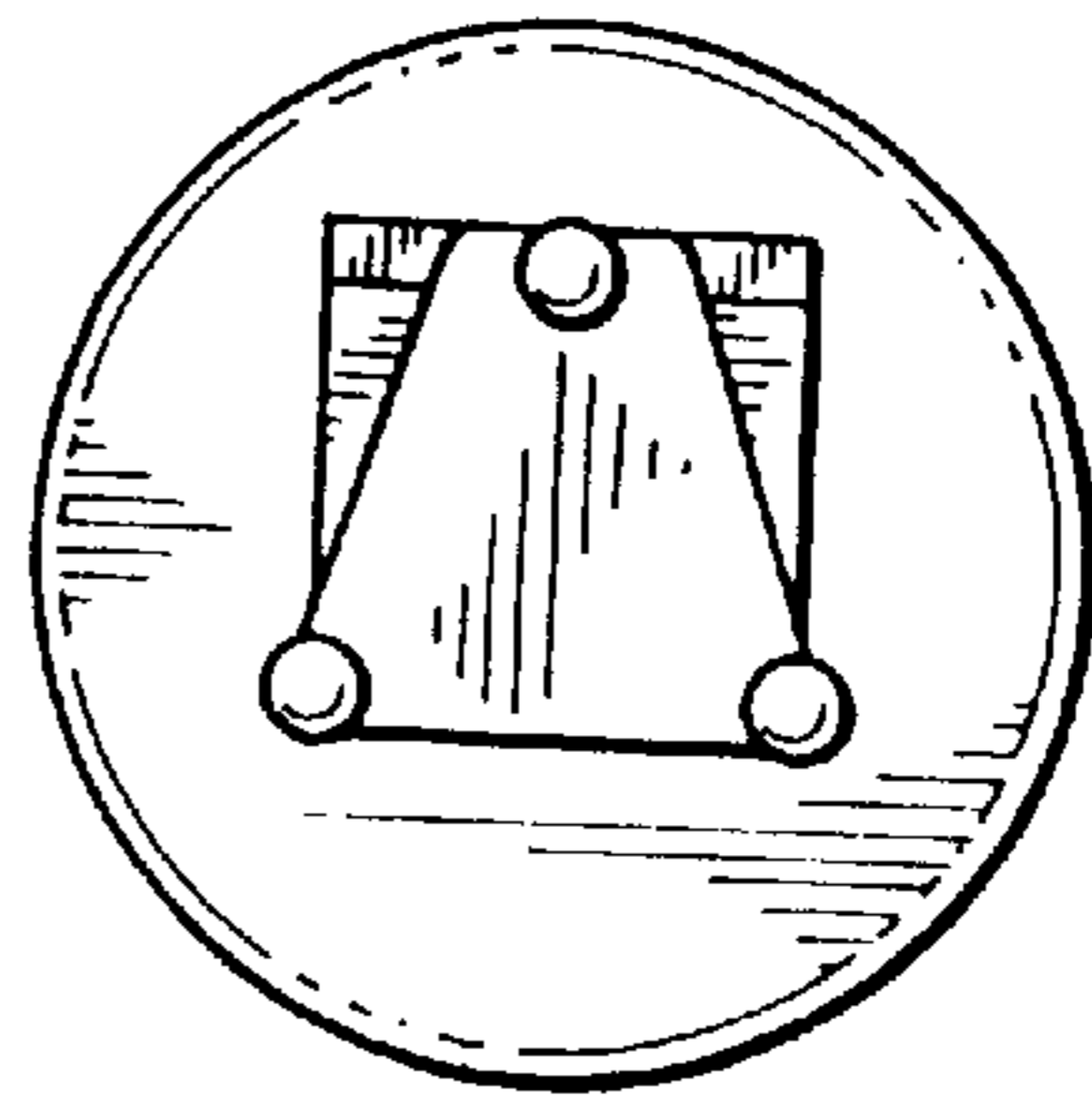


FIG. 2

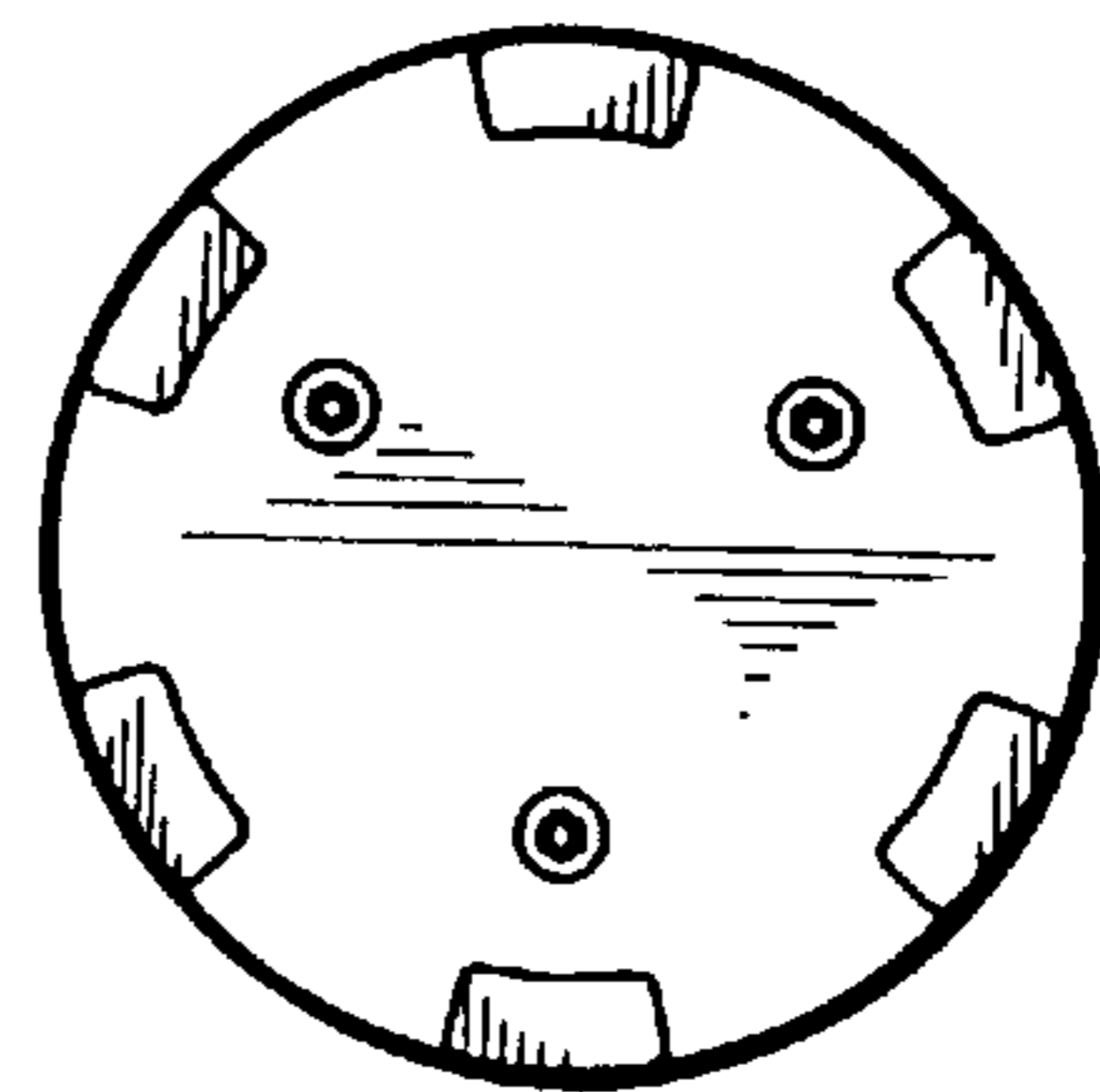


FIG. 3

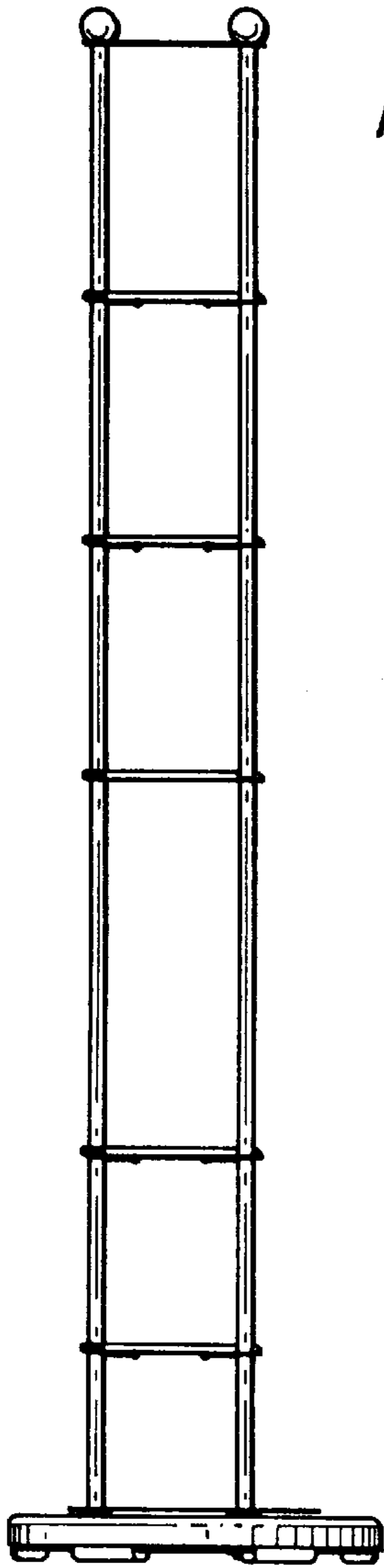


FIG. 4

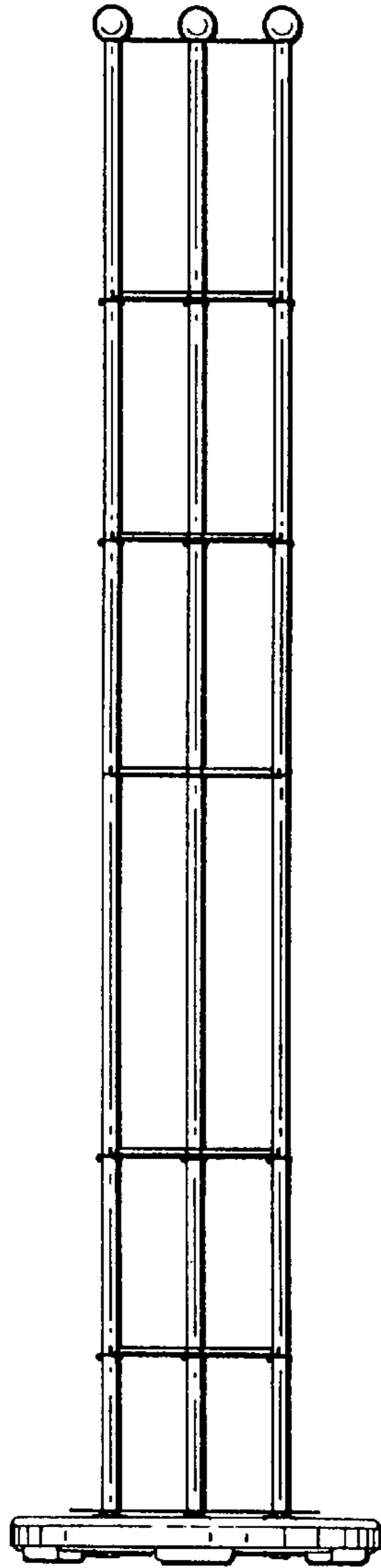


FIG. 5

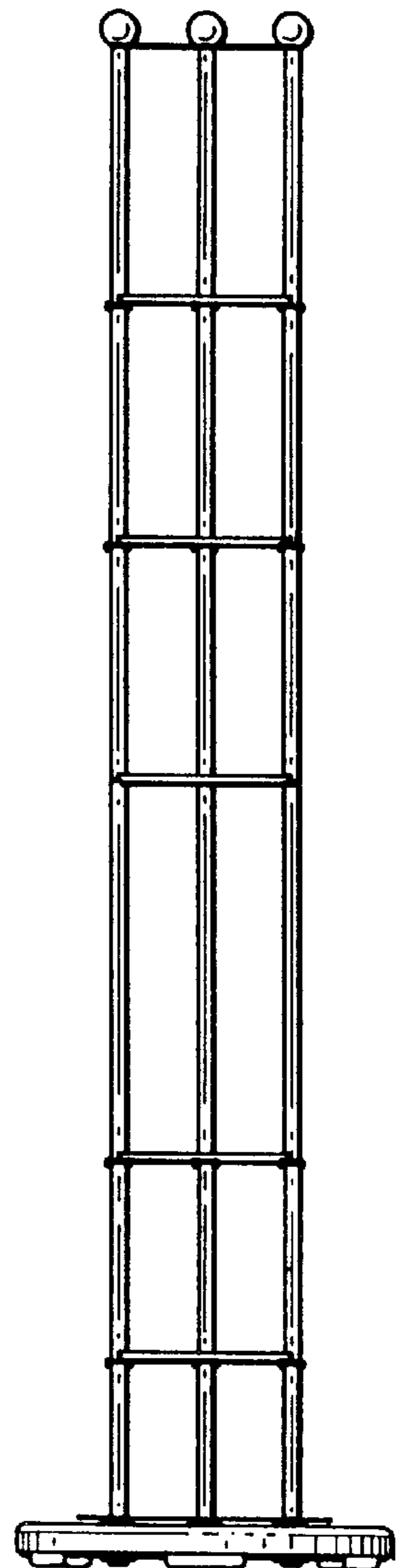


FIG. 6

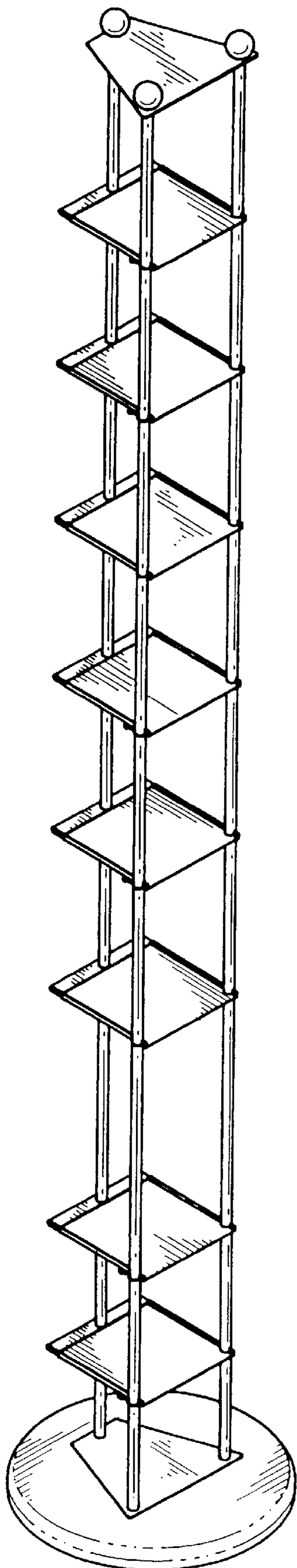


FIG. 7

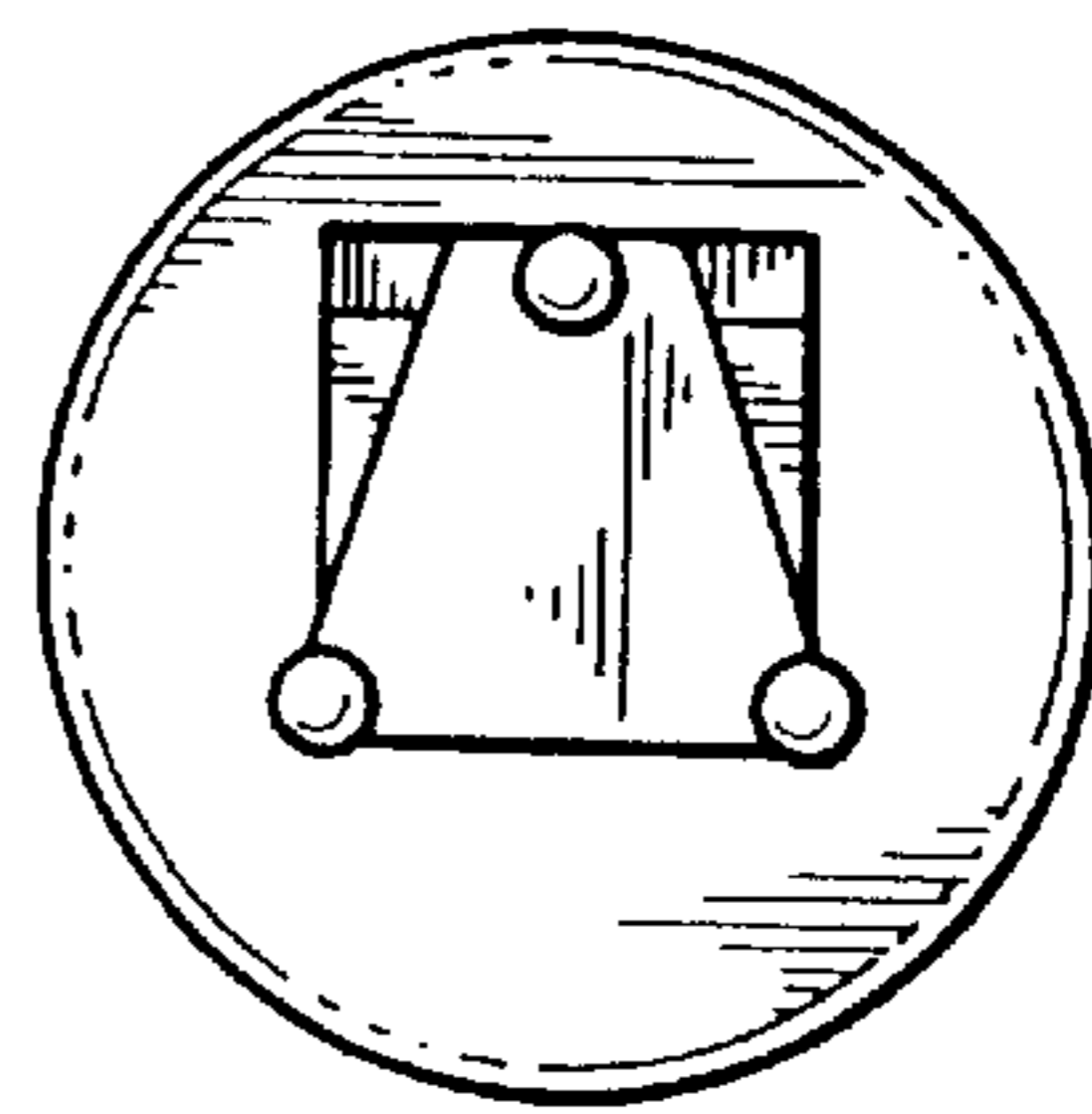


FIG. 8

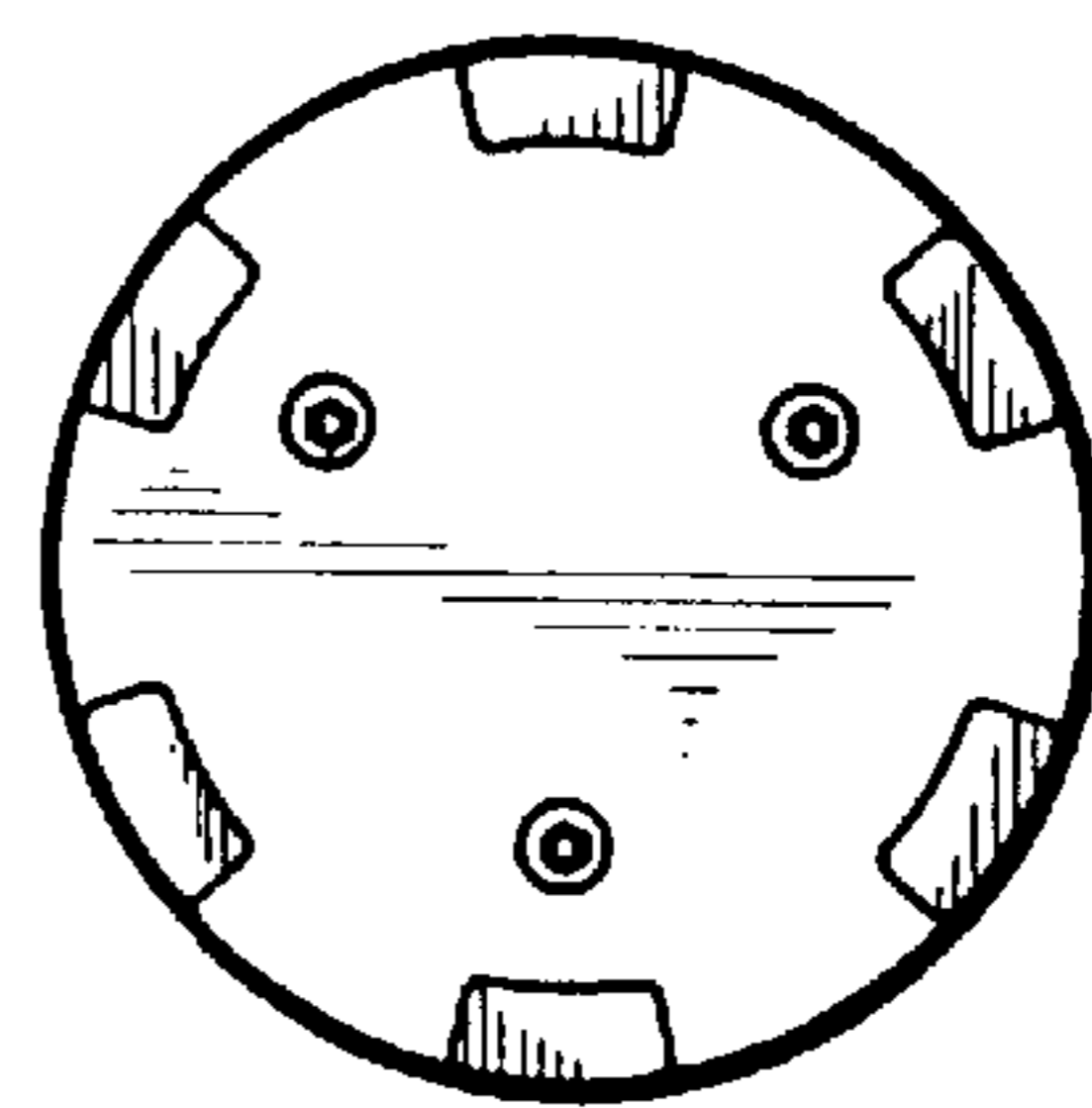


FIG. 9

FIG. 10

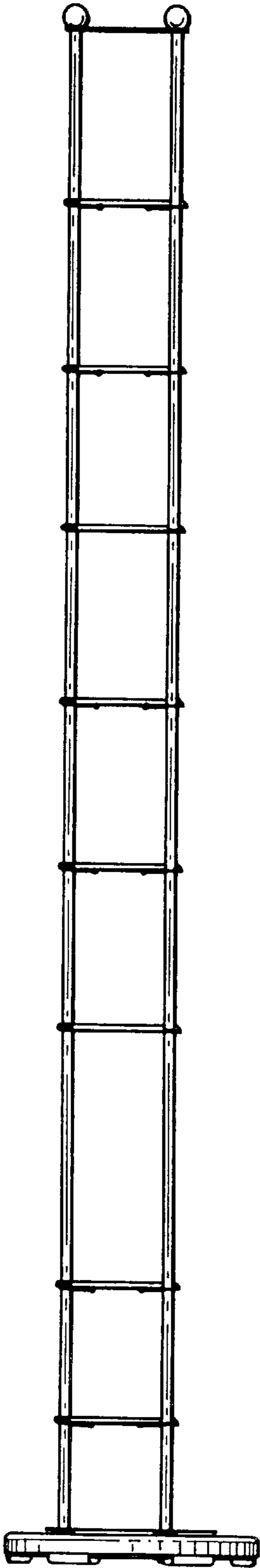


FIG. 11

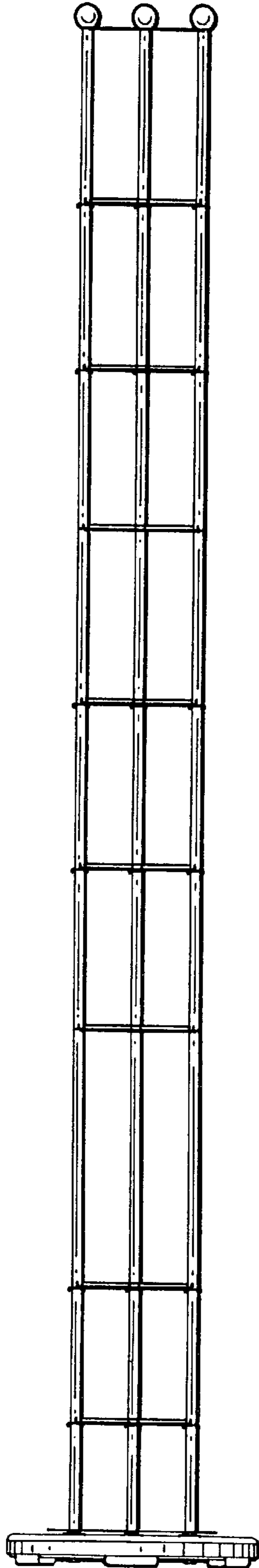
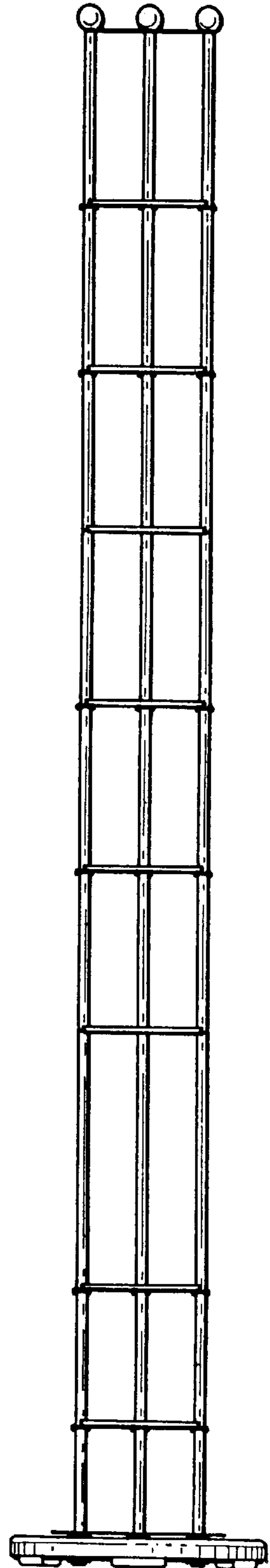


FIG. 12



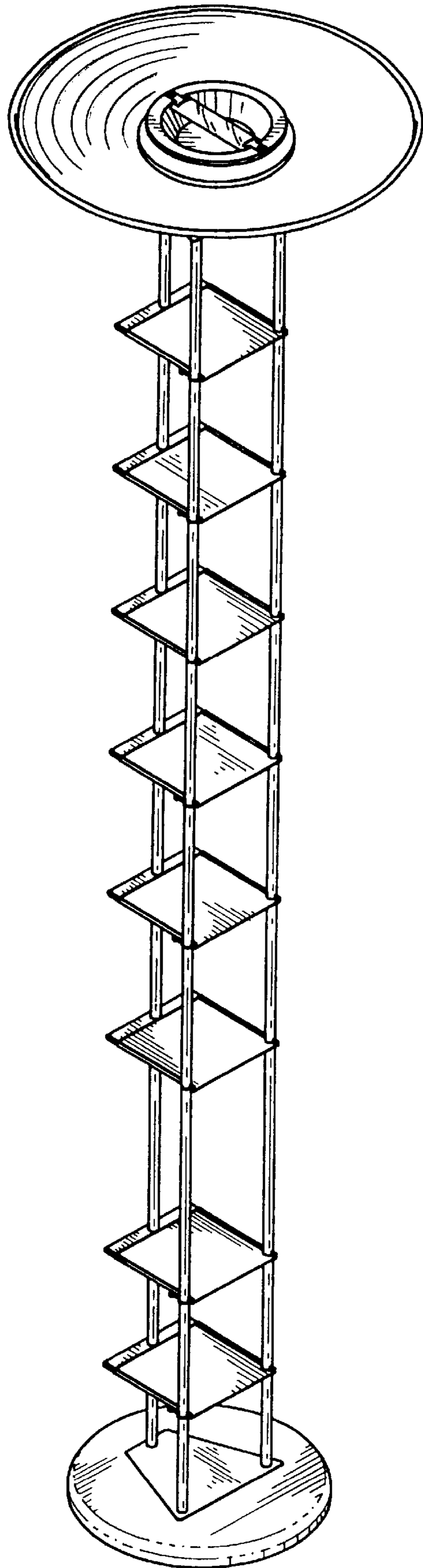


FIG. 13

FIG. 14

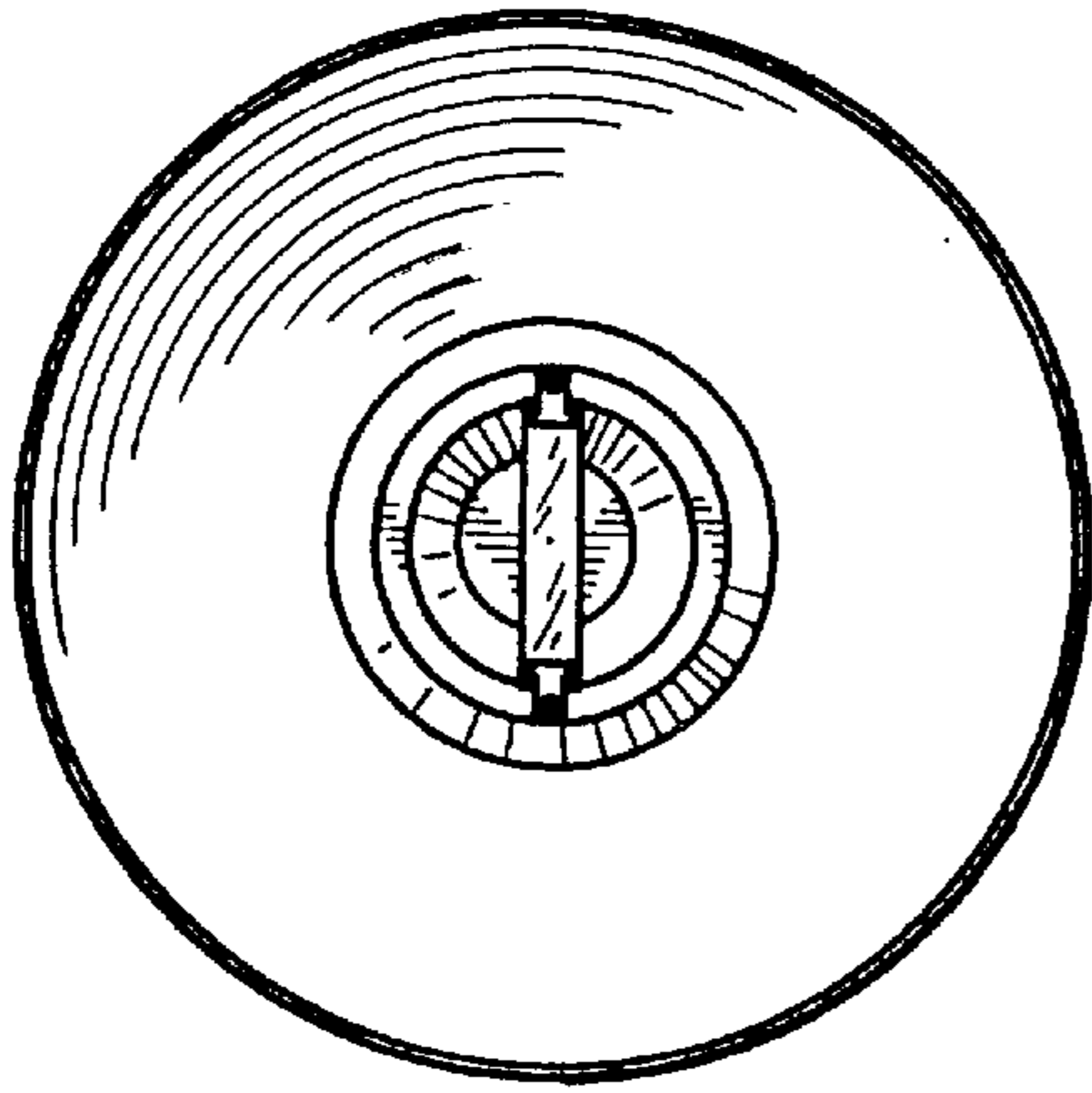


FIG. 15

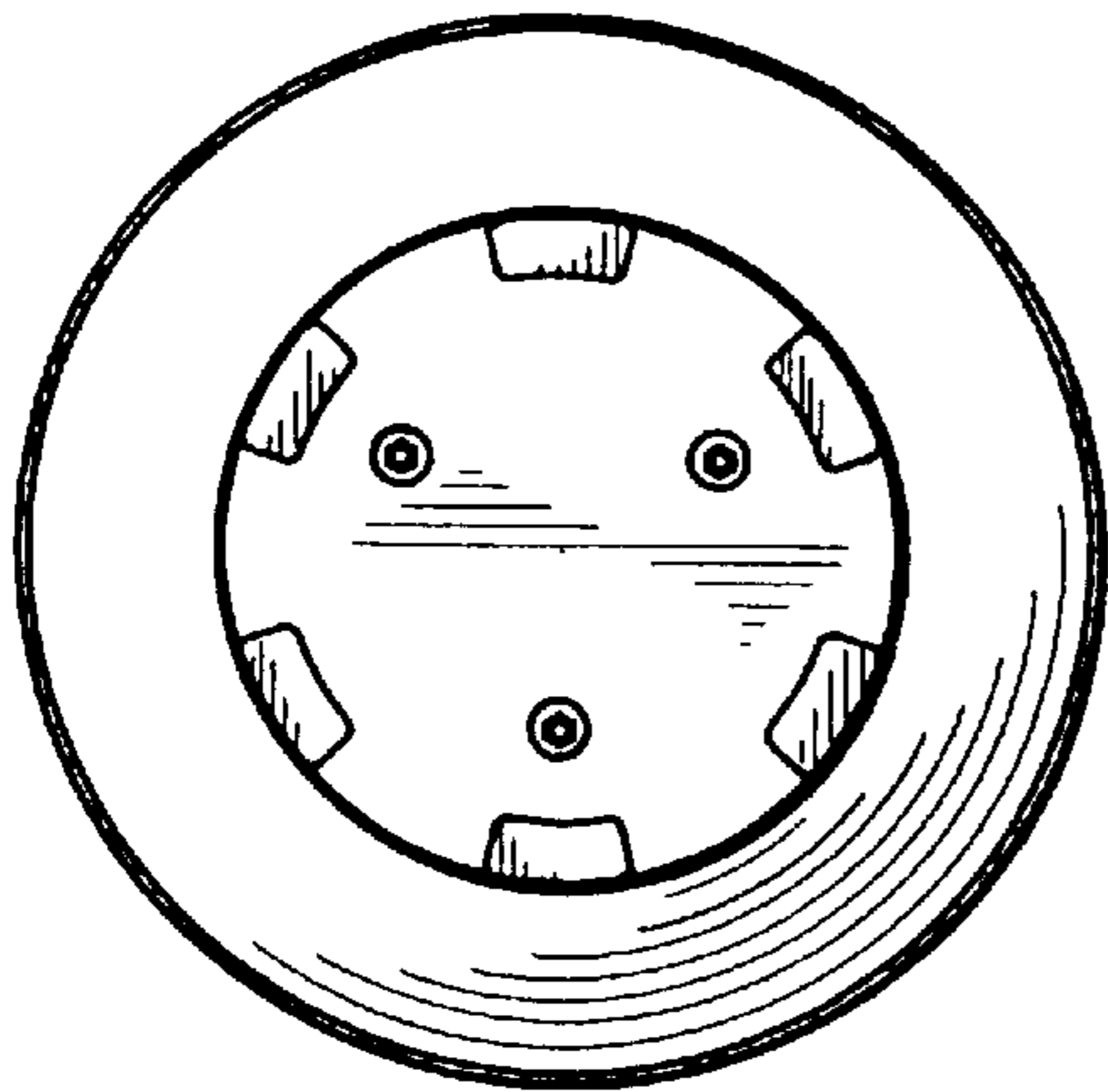


FIG. 16

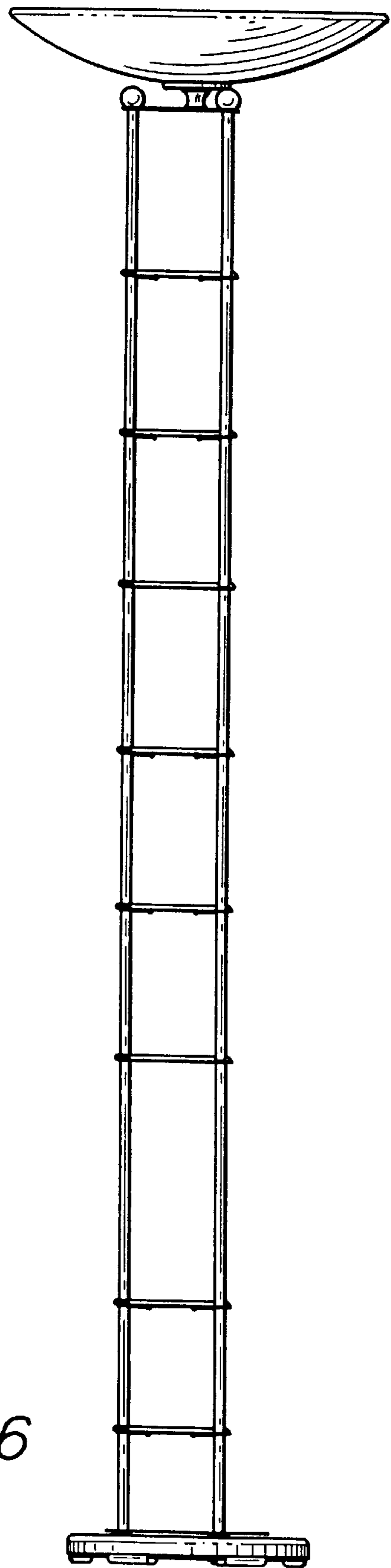




FIG. 17

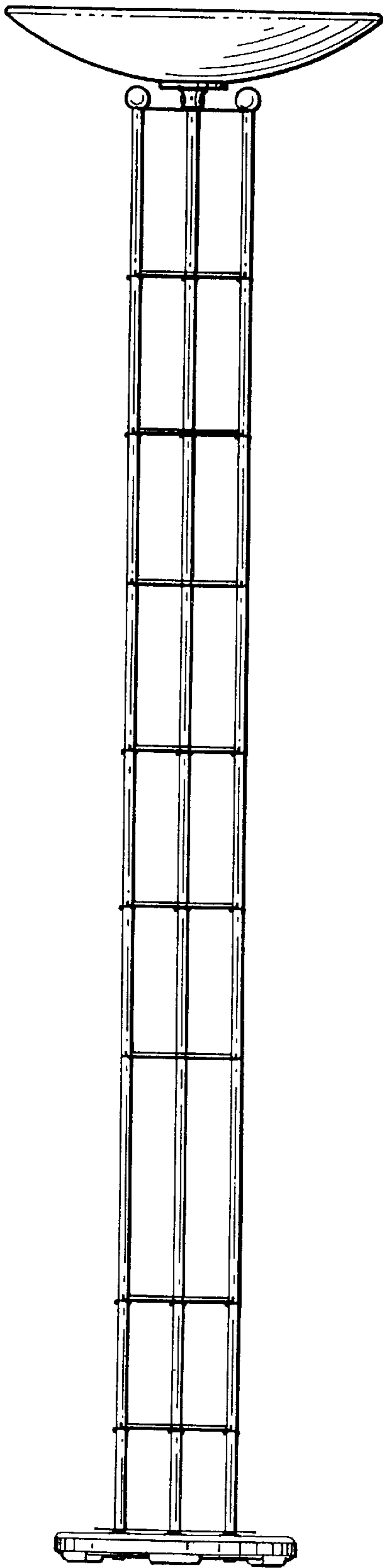


FIG. 18

