



US00D407576S

United States Patent [19]

Ritch et al.

[11] Patent Number: Des. 407,576

[45] Date of Patent: **Apr. 6, 1999

[54] CHAIR

[75] Inventors: **David J. Ritch**, Malibu; **Mark B. Saffell**, Manhattan Beach, both of Calif.

[73] Assignee: **Haworth, Inc.**, Holland, Mich.

[**] Term: **14 Years**

[21] Appl. No.: **70,126**

[22] Filed: **Apr. 30, 1997**

[51] LOC (6) Cl. **06-06**

[52] U.S. Cl. **D6/500; D6/366; D6/502**

[58] Field of Search D6/334, 364, 365, D6/366, 367, 379, 500, 501, 502; 297/411.2, 411.36

1,005,330	10/1911	Schmits et al. .	
1,769,294	7/1930	Johnson et al. .	
2,126,439	8/1938	Zerbee	155/179
2,260,352	10/1941	Trapani	155/182
2,878,860	3/1959	Brattrud	155/178
3,041,109	6/1962	Eames et al.	297/449
3,059,919	10/1962	Marchino	267/103
3,107,944	10/1963	Baermann	297/452
3,117,819	1/1964	Kudriavetz, Jr.	297/452
3,120,407	2/1964	Propst	297/457
3,217,786	11/1965	Earl	160/404
3,233,885	2/1966	Propst	267/1
3,720,568	3/1973	Rowland	161/48
3,767,261	10/1973	Rowland	297/452
4,368,917	1/1983	Urai	297/452
4,533,174	8/1985	Fleishman	297/16

(List continued on next page.)

OTHER PUBLICATIONS

IDEA article, Intes USA (1 page) undated.
NEW! Bungie Hi-Back Chair article (1 page) undated.

Primary Examiner—Gary D. Watson
Attorney, Agent, or Firm—Flynn, Thiel, Boutell & Tanis, P.C.

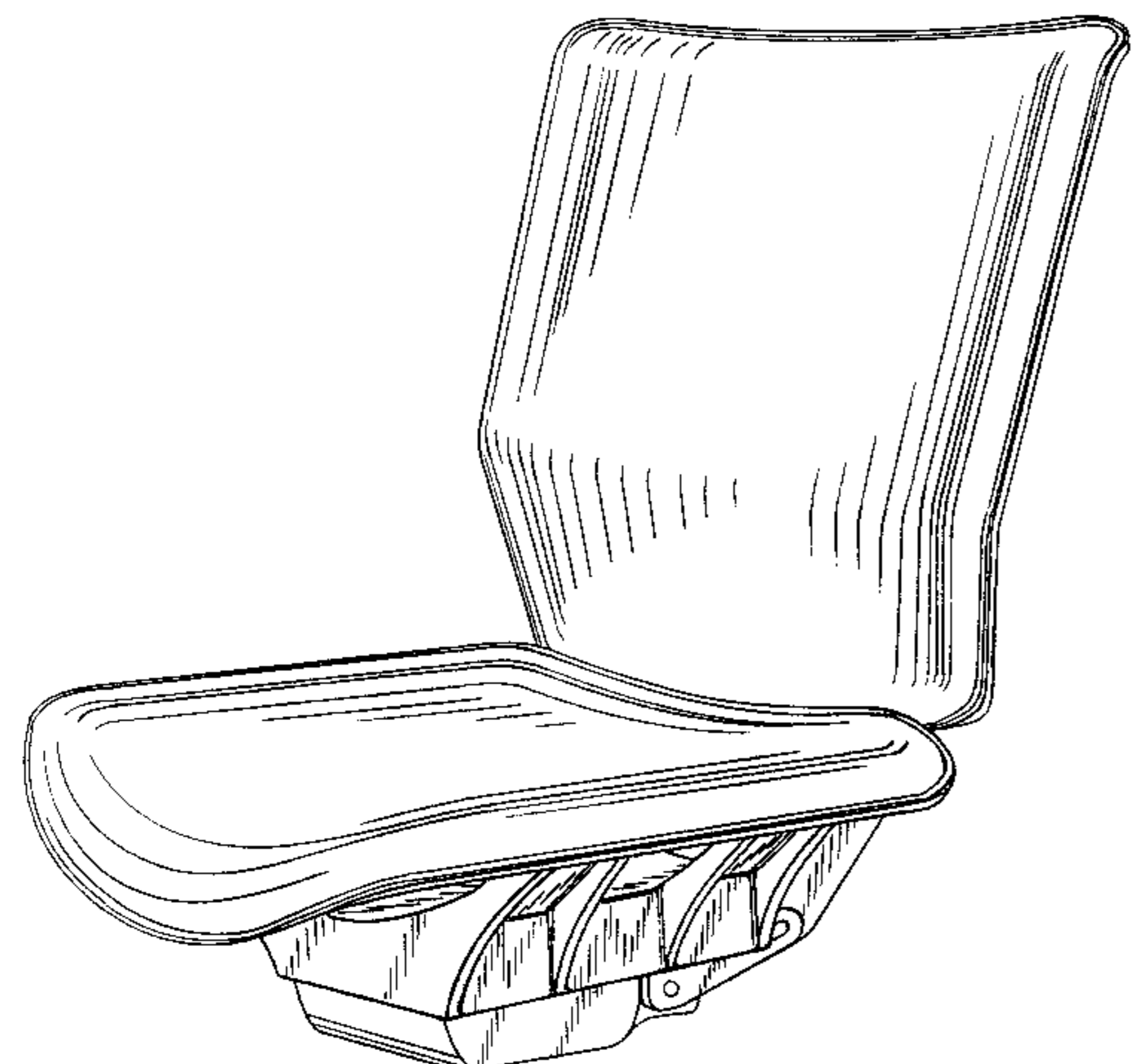
[57] CLAIM

The ornamental design for a chair, as shown and described.

DESCRIPTION

FIG. 1 is a perspective view of a first embodiment of a chair embodying our design;
FIG. 2 is a front elevational view thereof;
FIG. 3 is a top view thereof;
FIG. 4 is a left side elevational view thereof, the right side elevational view being a mirror image thereof;
FIG. 5 is a rear elevational view thereof;
FIG. 6 is a perspective view of a second embodiment of a chair embodying our design;
FIG. 7 is a front elevational view thereof;
FIG. 8 is a top view thereof;
FIG. 9 is a left side elevational view thereof, the right side elevational view being a mirror image thereof; and,
FIG. 10 is a rear elevational view thereof.

1 Claim, 10 Drawing Sheets



Des. 407,576

Page 2

U.S. PATENT DOCUMENTS					
			5,154,485	10/1992	Fleishman 297/445
			5,382,079	1/1995	Wilson et al. 297/411.36
4,660,887	4/1987	Fleming et al.	5,445,436	8/1995	Kemnitz 297/452
			5,647,638	7/1997	Ritt et al. 297/411.36
4,828,320	5/1989	Saiger 297/229	5,667,277	9/1997	Van De Riet 297/411.36
4,961,610	10/1990	Reeder et al.	5,795,026	8/1998	Dral et al. 297/411.36
5,013,089	5/1991	Abu-Isa et al.			

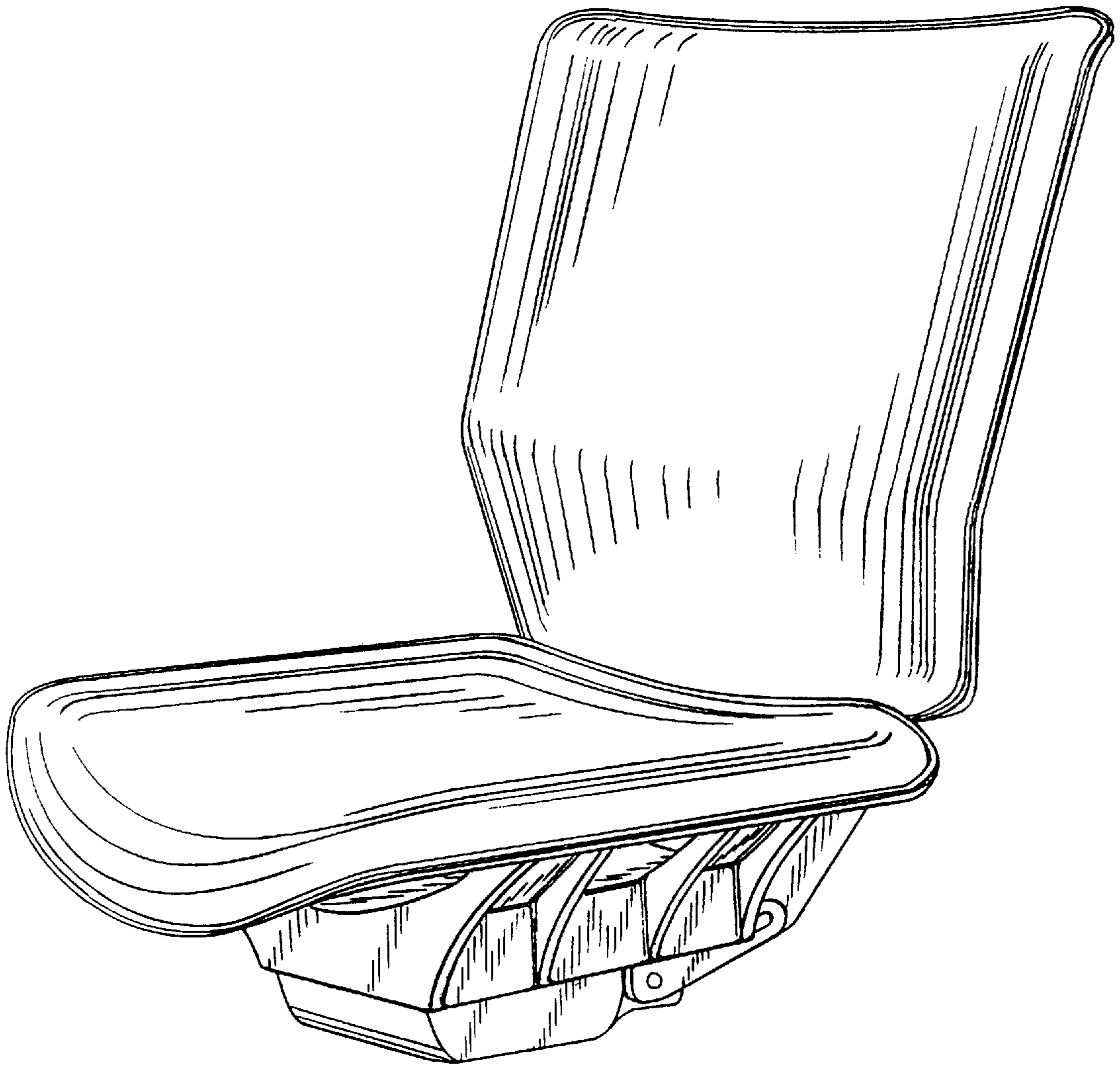


FIG. 1

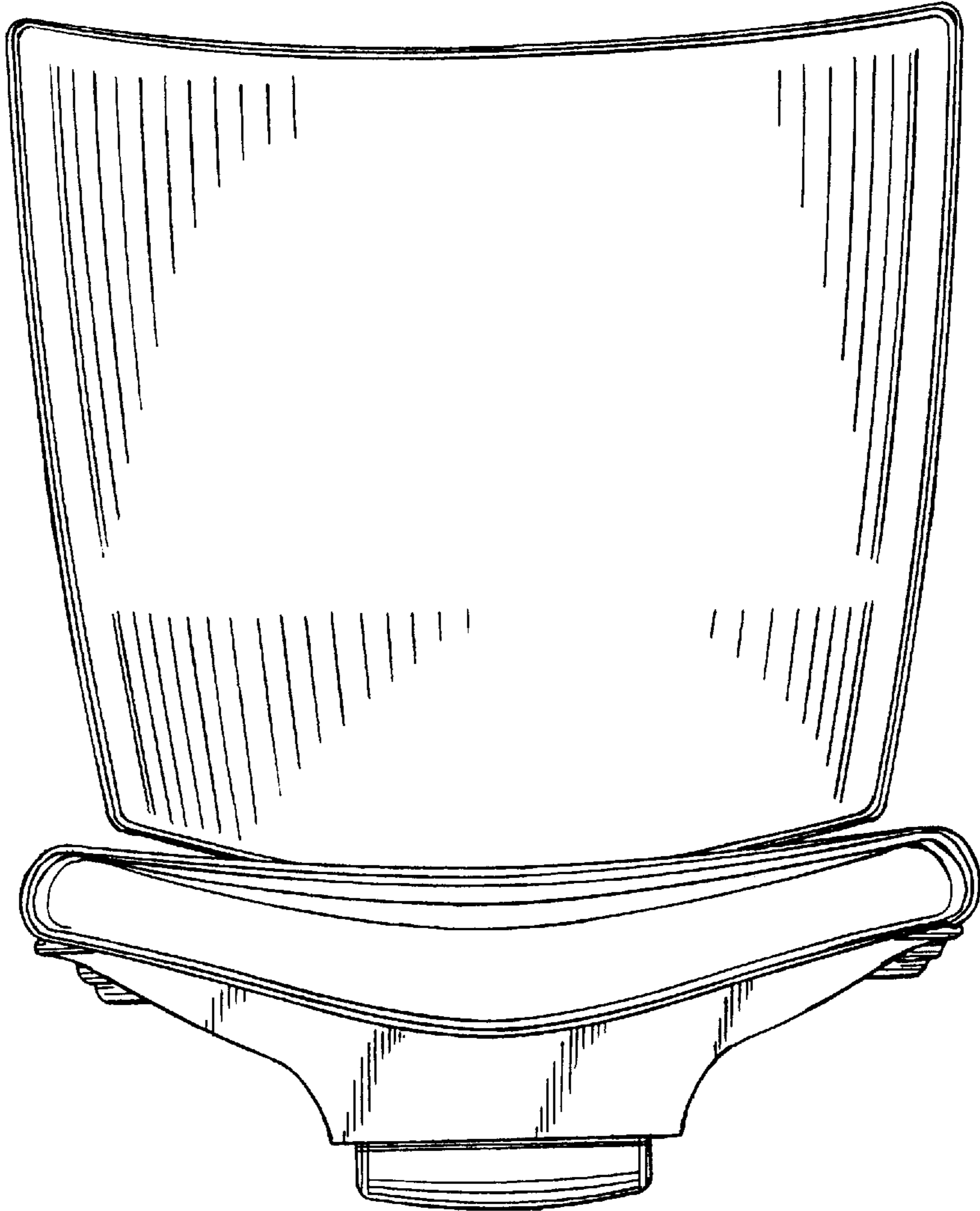


FIG.2

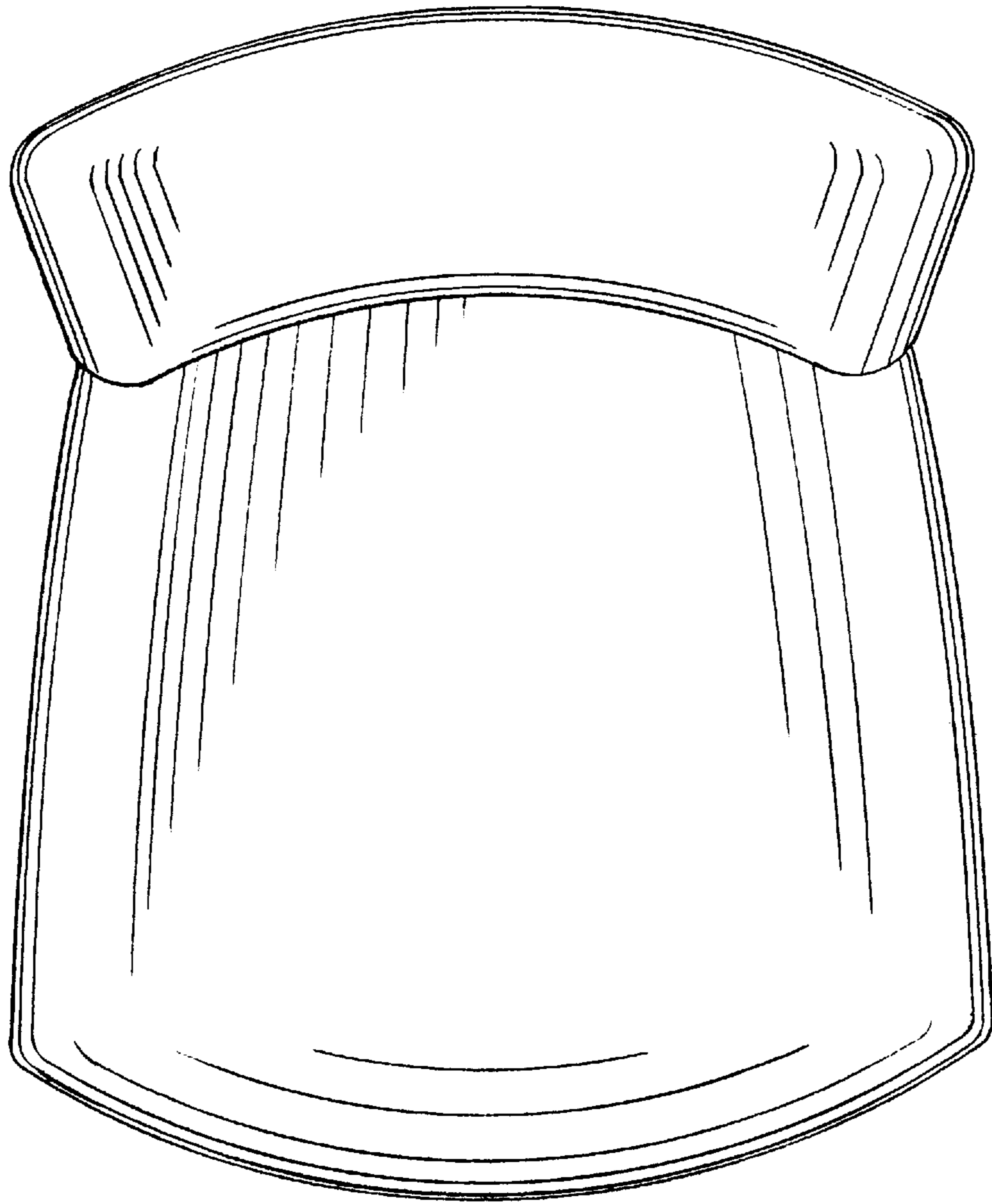


FIG. 3

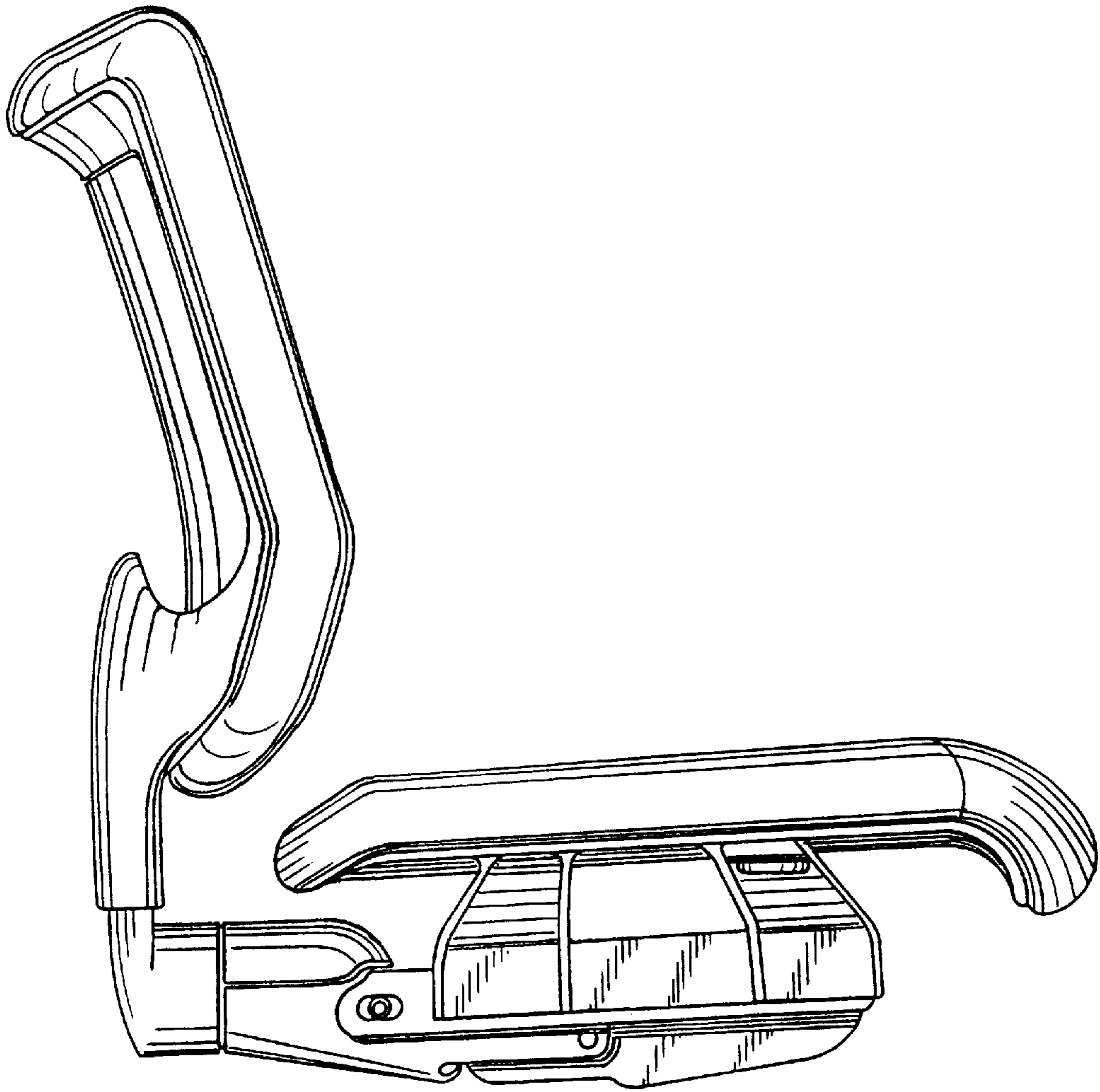


FIG.4

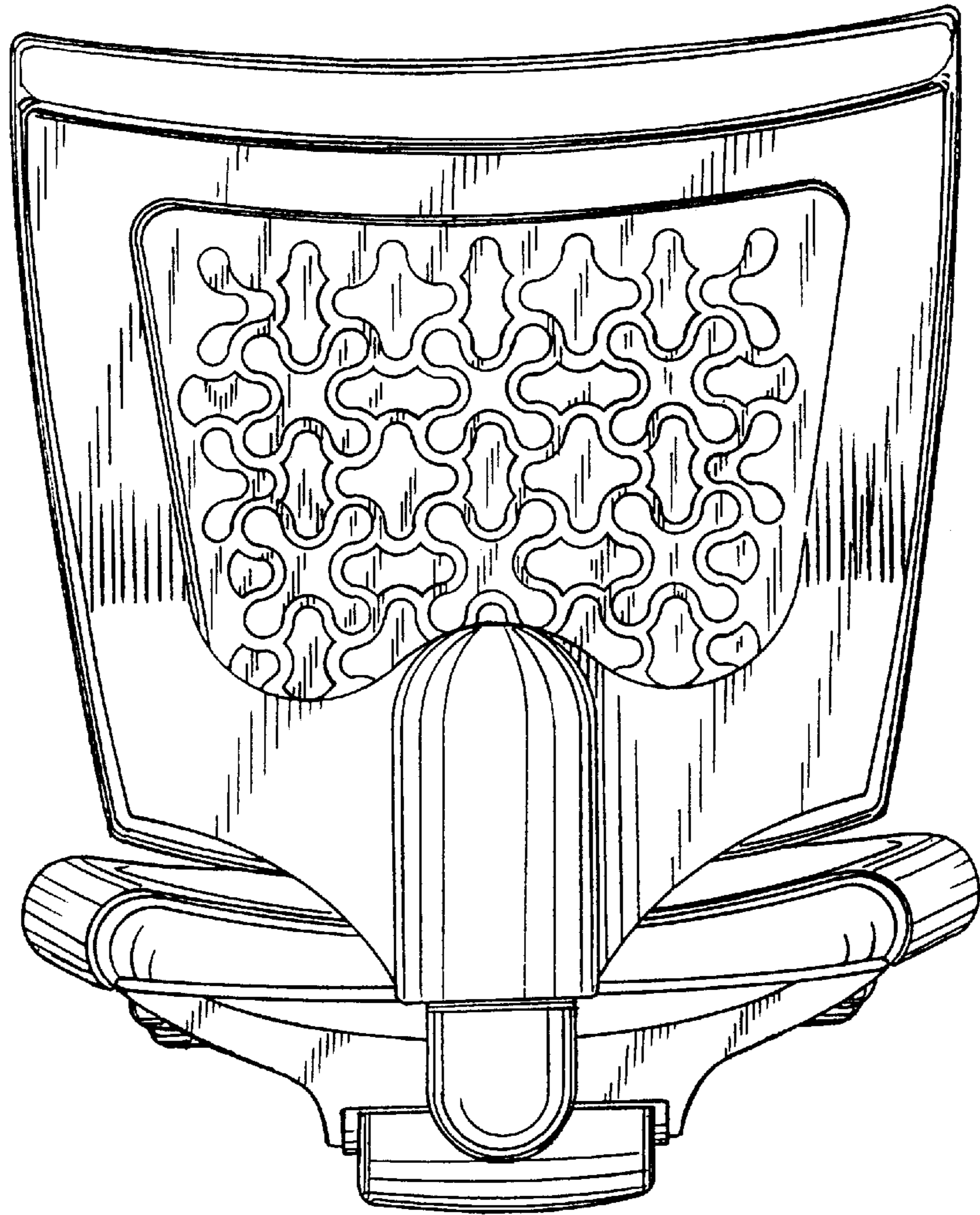


FIG. 5

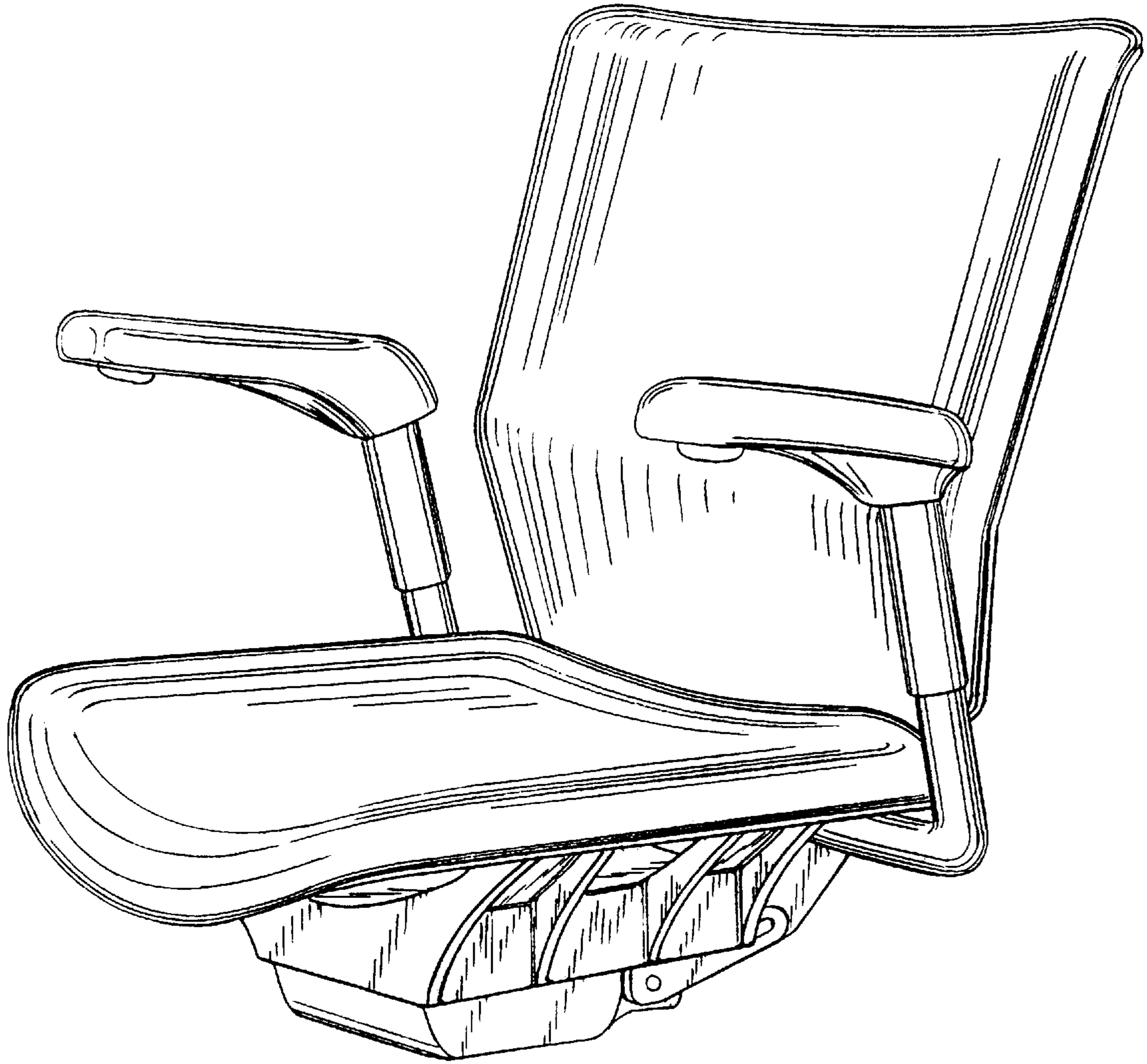


FIG. 6

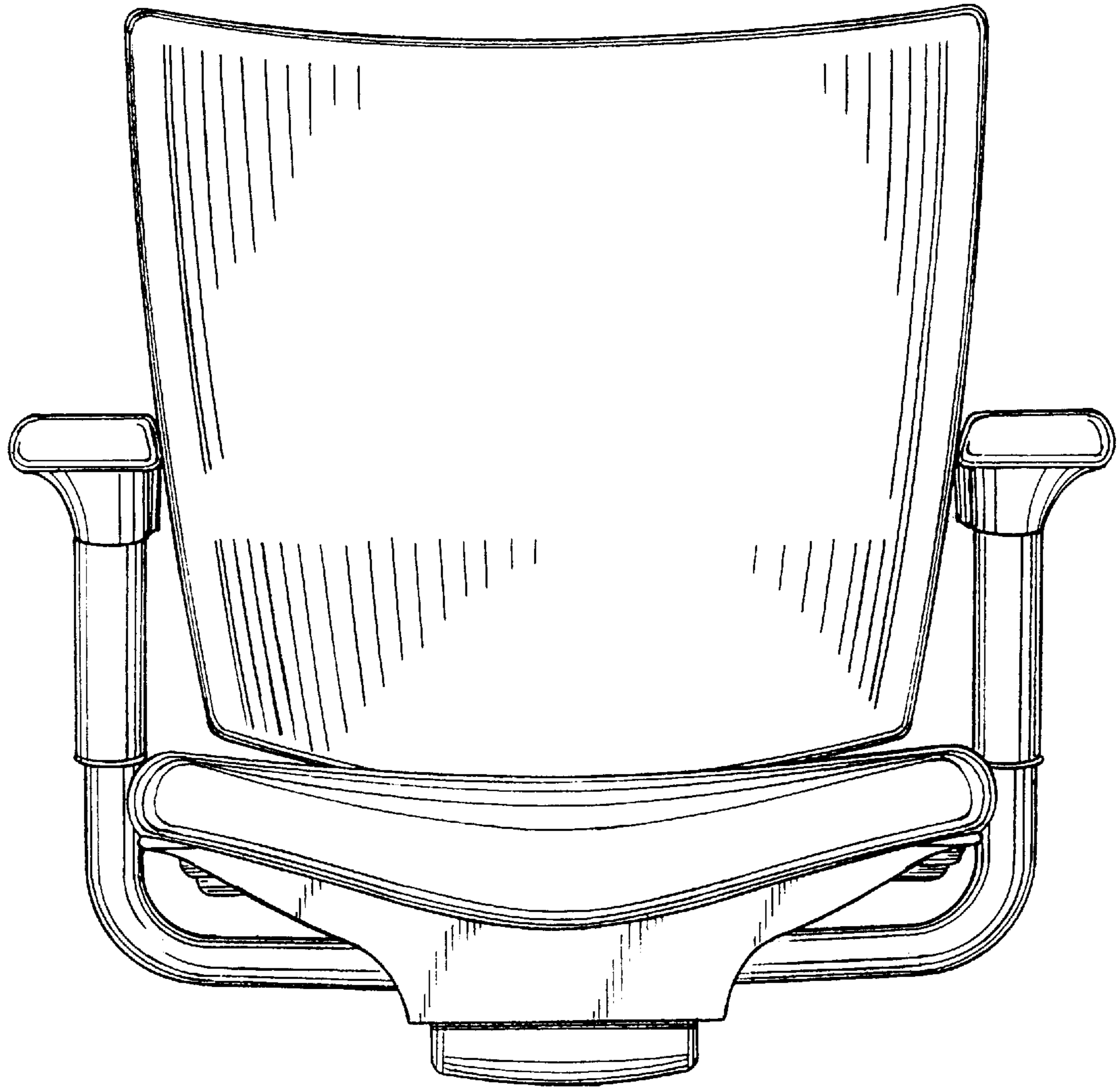


FIG. 7

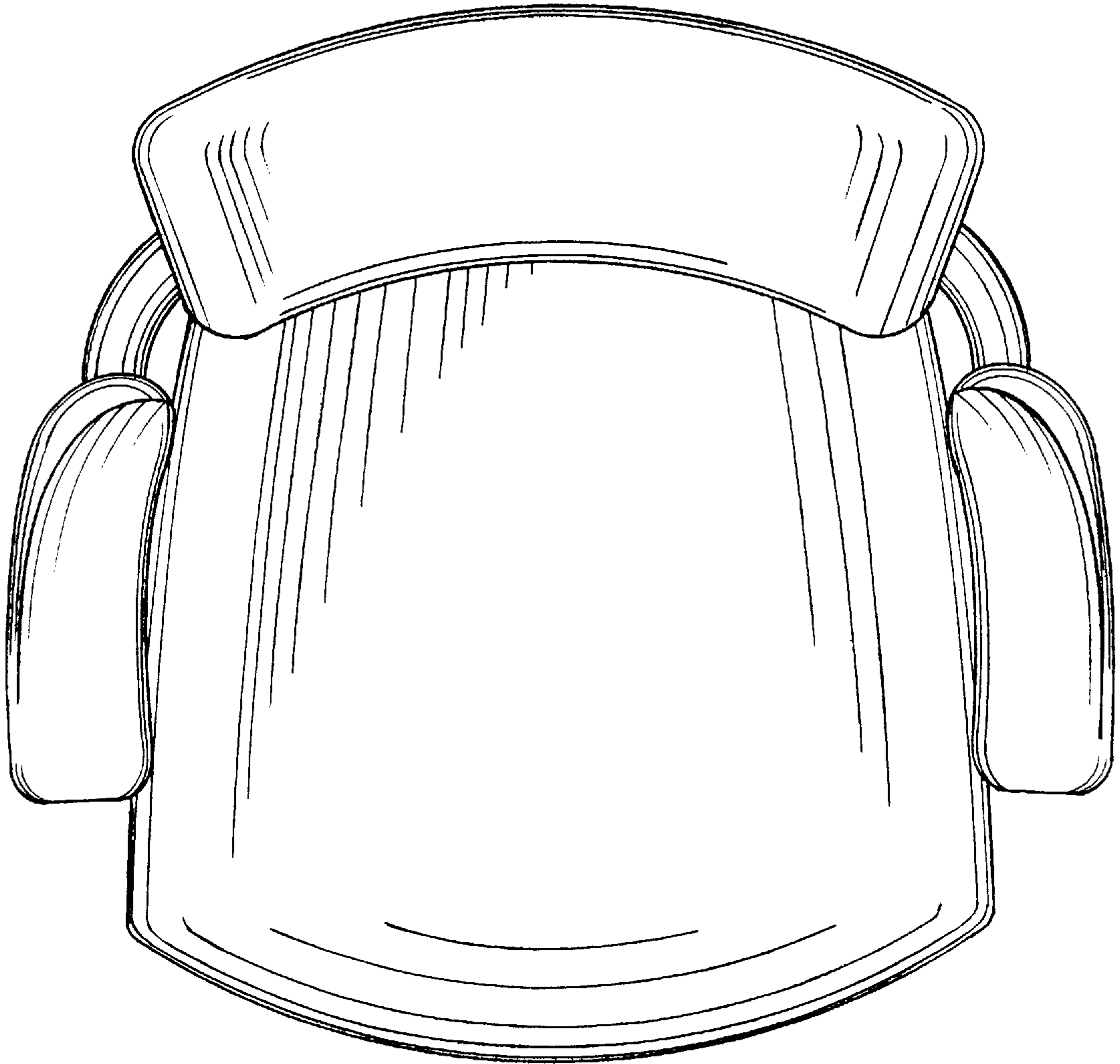


FIG.8

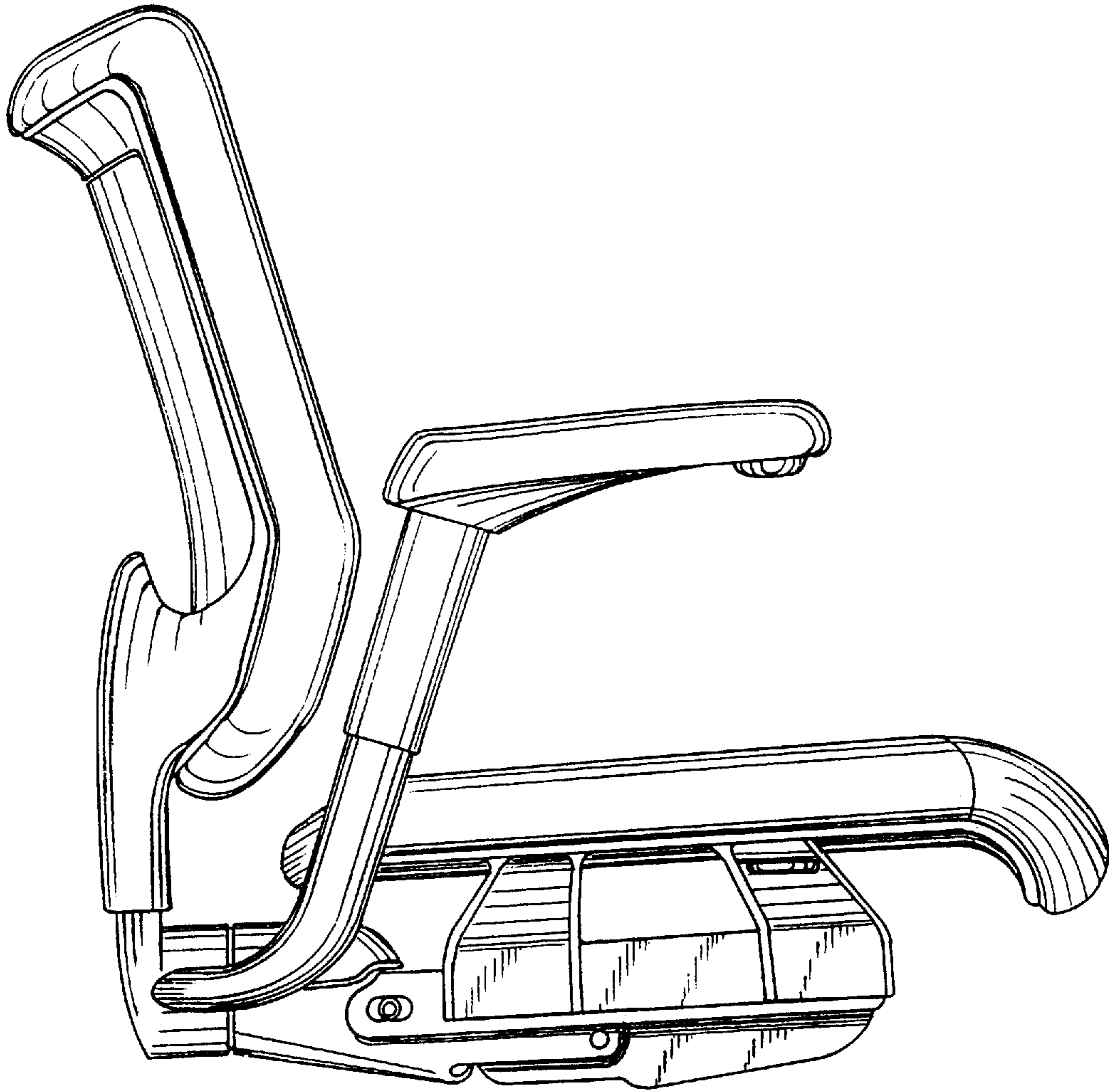


FIG. 9

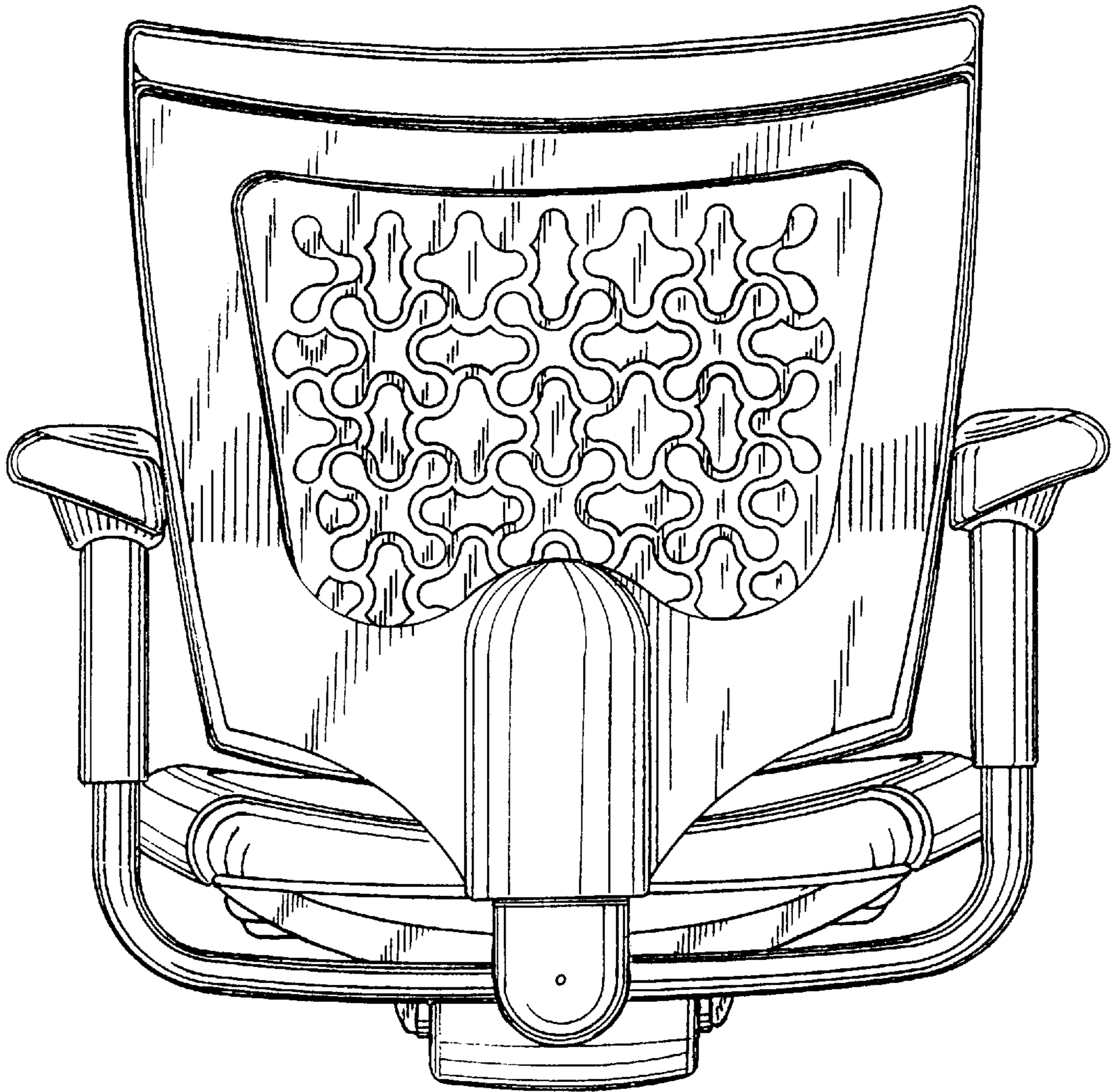


FIG. 10