



US00D407572S

# United States Patent [19]

Natuzzi et al.

[11] **Patent Number:** **Des. 407,572**

[45] **Date of Patent:** **\*\*Apr. 6, 1999**

[54] **SEAT**

[75] **Inventors:** **Pasquale Natuzzi; Raffaella Lucarelli,**  
both of Santeramo In Colle, Italy

[73] **Assignee:** **Industrie Natuzzi Spa,** Bari, Italy

[\*\*] **Term:** **14 Years**

[21] **Appl. No.:** **84,503**

[22] **Filed:** **Mar. 4, 1998**

[51] **LOC (6) Cl.** ..... **06-01**

[52] **U.S. Cl.** ..... **D6/381; D6/334**

[58] **Field of Search** ..... **D6/334, 335, 336,**  
**D6/364, 371, 373, 381, 500, 501, 502;**  
**297/232, 445.1, 446.1**

## [56] **References Cited**

### U.S. PATENT DOCUMENTS

D. 362,129	9/1995	Natuzzi et al.	.....	D6/381
D. 365,457	12/1995	Natuzzi et al.	.....	D6/381
D. 374,355	10/1996	Natuzzi et al.	.....	D6/381
D. 382,130	8/1997	Natuzzi et al.	.....	D6/381
D. 384,219	9/1997	Natuzzi et al.	.....	D6/381
D. 387,575	12/1997	Natuzzi et al.	.....	D6/381
D. 391,093	2/1998	Natuzzi et al.	.....	D6/381
D. 393,758	4/1998	Natuzzi et al.	.....	D6/381

### OTHER PUBLICATIONS

Natuzzi Model 1480, International Home Furnishings Market, High Point, NC, Oct. 1996.

Natuzzi Model 1571, International Home Furnishings Market, High Point, NC, Apr. 1997.

Natuzzi Model 1592, International Home Furnishings Market, High Point, NC, Apr. 1997.

Natuzzi Model 159, Oct. 1986, at International Home Furnishings Market in High Point, North Carolina.

Natuzzi Model 199, Oct. 1987, at International Home Furnishings Market in High Point, North Carolina.

Natuzzi Model 733, Nov. 1989, at International Home Furnishings Market in High Point, North Carolina.

Natuzzi Model 748, Apr. 1990, at International Home Furnishings Market in High Point, North Carolina.

Natuzzi Model 765, Apr. 1990, at International Home Furnishings Market in High Point, North Carolina.

Natuzzi Model 803, Oct. 1990, at International Home Furnishings Market in High Point, North Carolina.

Natuzzi Model 805, Oct. 1990, at International Home Furnishings Market in High Point, North Carolina.

Natuzzi Model 863, Oct. 1991, at International Home Furnishings Market in High Point, North Carolina.

Natuzzi Model 928, Apr. 1992, at International Home Furnishings Market in High Point, North Carolina.

Natuzzi Model 1043, Apr. 1993, at International Home Furnishings Market in High Point, North Carolina.

Natuzzi Model 1077, Oct. 1993, at International Home Furnishings Market in High Point, North Carolina.

(List continued on next page.)

*Primary Examiner*—Gary D. Watson

*Attorney, Agent, or Firm*—Bell Seltzer Intellectual Property Law Group of Alston & Bird LLP

## [57] **CLAIM**

The ornamental design for a seat, as shown and described.

### **DESCRIPTION**

FIG. 1 is a front perspective view of a seat showing our new design in the form of a sofa;

FIG. 2 is a front elevational view thereof;

FIG. 3 is a top plan view thereof;

FIG. 4 is a right side elevational view, the left side being a mirror image thereof;

FIG. 5 is a rear perspective view thereof;

FIG. 6 is a front elevational view of a seat showing our new design in the form of a loveseat; and,

FIG. 7 is a front elevational view of a seat showing our new design in the form of a chair.

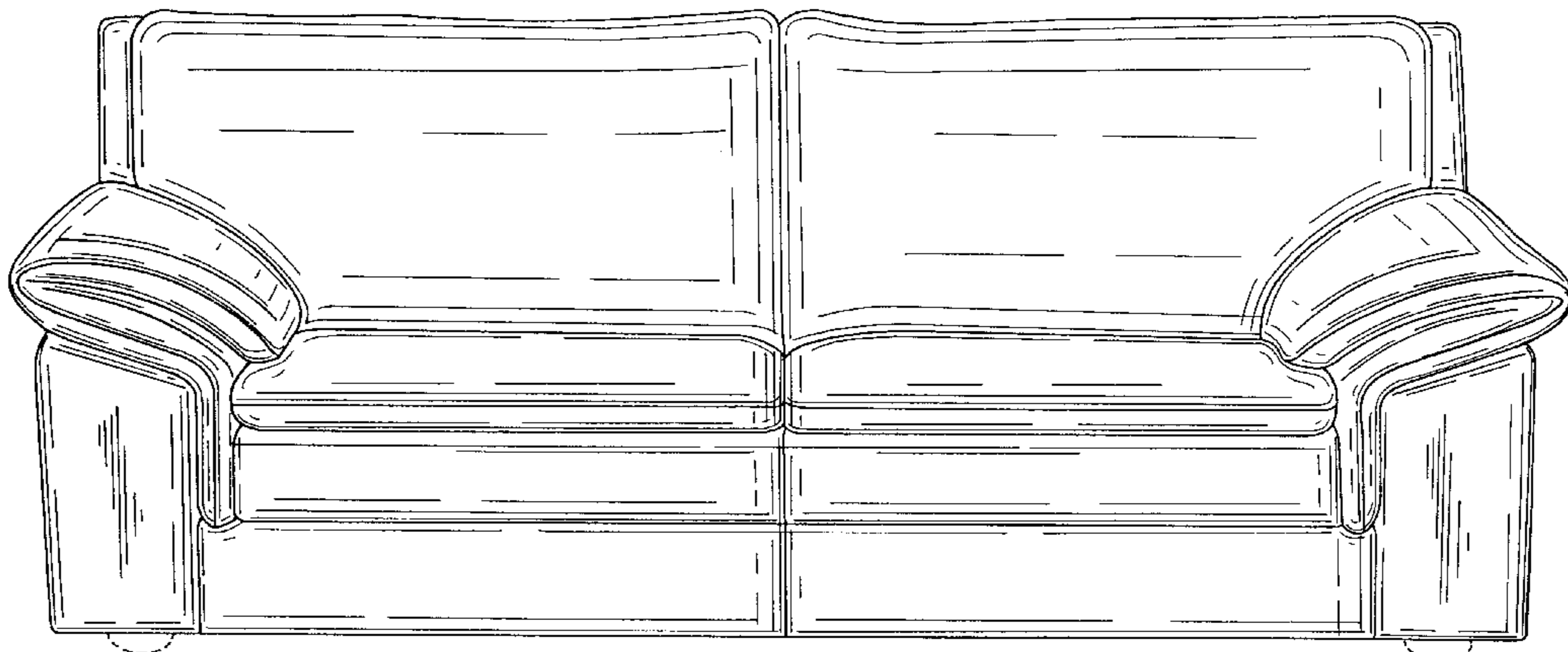
The broken lines shown herein are for illustrative purposes only and form no part of the claimed design.

The rear views of FIGS. 6 and 7 are like FIG. 5, the difference being a matter of length.

The end views of FIGS. 6 and 7 are like that shown in FIG. 4.

FIGS. 1 and 5 are shown on an enlarged scale relative to the other views.

**1 Claim, 3 Drawing Sheets**



OTHER PUBLICATIONS

Natuzzi Model 1083, Oct. 1993, at International Home Furnishings Market in High Point, North Carolina.  
Natuzzi Model 1087, Oct. 1993, at International Home Furnishings Market in High Point, North Carolina.  
Natuzzi Model 1107, Oct. 1993, at International Home Furnishings Market in High Point, North Carolina.  
Natuzzi Model 1110, Oct. 1993, at International Home Furnishings Market in High Point, North Carolina.  
Natuzzi Model 1118, Oct. 1993, at International Home Furnishings Market in High Point, North Carolina.  
Natuzzi Model 1123, Jan. 1994, at International Home Furnishings Market in High Point, North Carolina.  
Natuzzi Model 1160, Apr. 1994, at International Home Furnishings Market in High Point, North Carolina.  
Natuzzi Model 1164, Apr. 1994, at International Home Furnishings Market in High Point, North Carolina.

Natuzzi Model 1207, Oct. 1994, at International Home Furnishings Market in High Point, North Carolina.

Natuzzi Model 1245, Oct. 1994, at International Home Furnishings Market in High Point, North Carolina.

Natuzzi Model 1294, Mar. 1995, at International Home Furnishings Market in High Point, North Carolina.

Natuzzi Model 1352, Sep. 1995, at International Home Furnishings Market in High Point, North Carolina.

Natuzzi Model 1395, Mar. 1996, at International Home Furnishings Market in High Point, North Carolina.

Natuzzi Model 1498, Oct. 1996, at International Home Furnishings Market in High Point, North Carolina.

Natuzzi Model 1502, Oct. 1996, at International Home Furnishings Market in High Point, North Carolina.

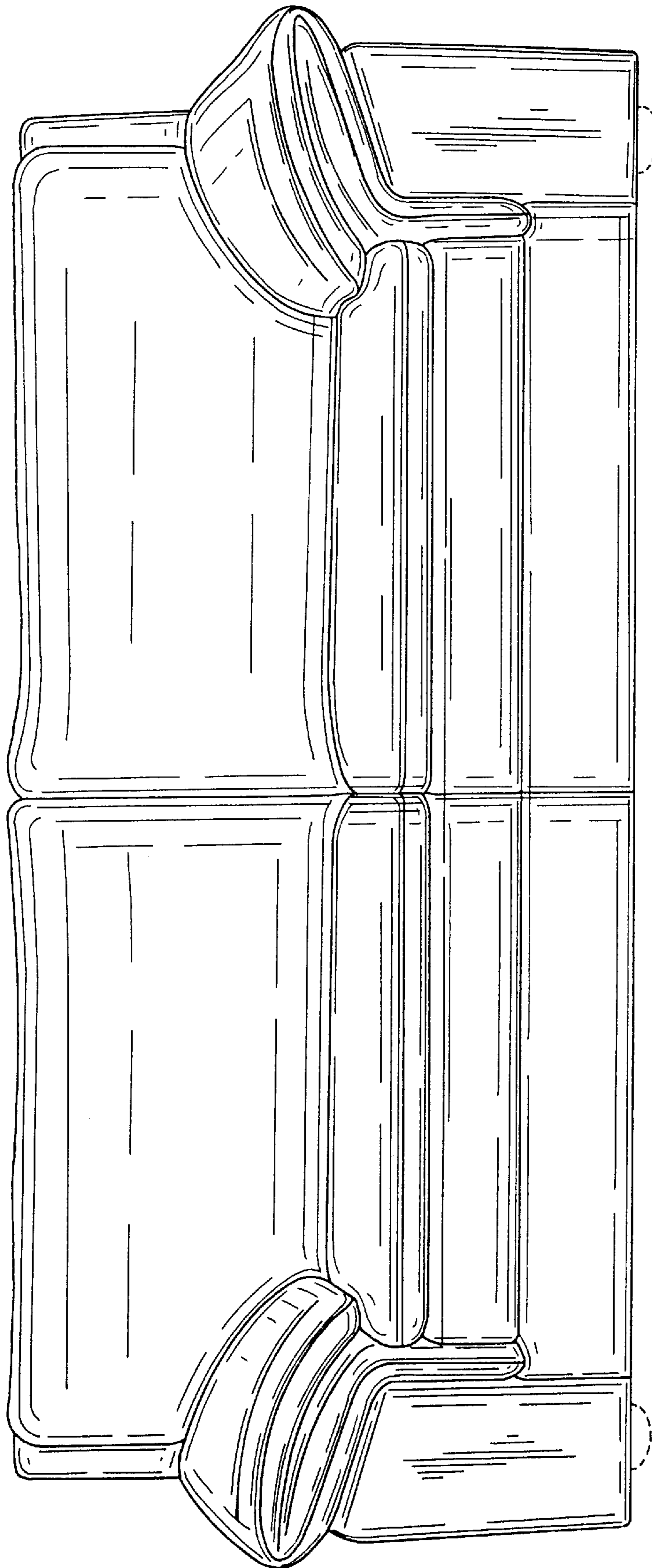


FIG. 1.

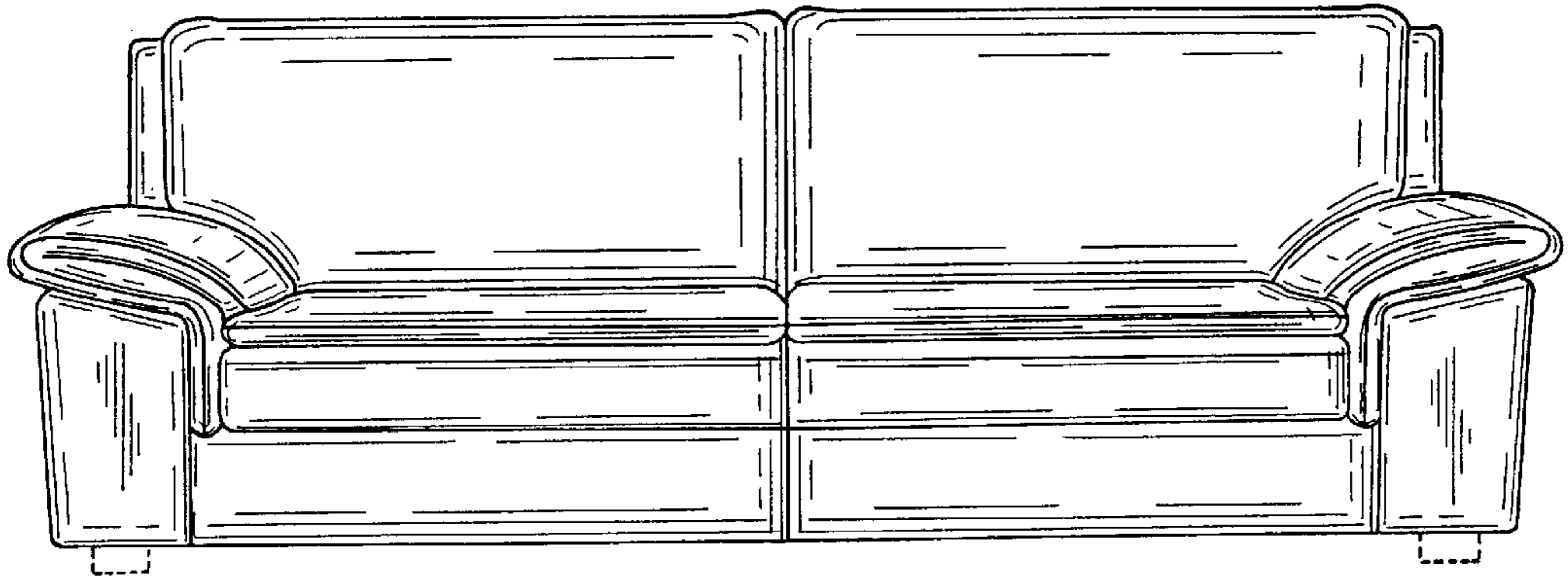


FIG. 2.

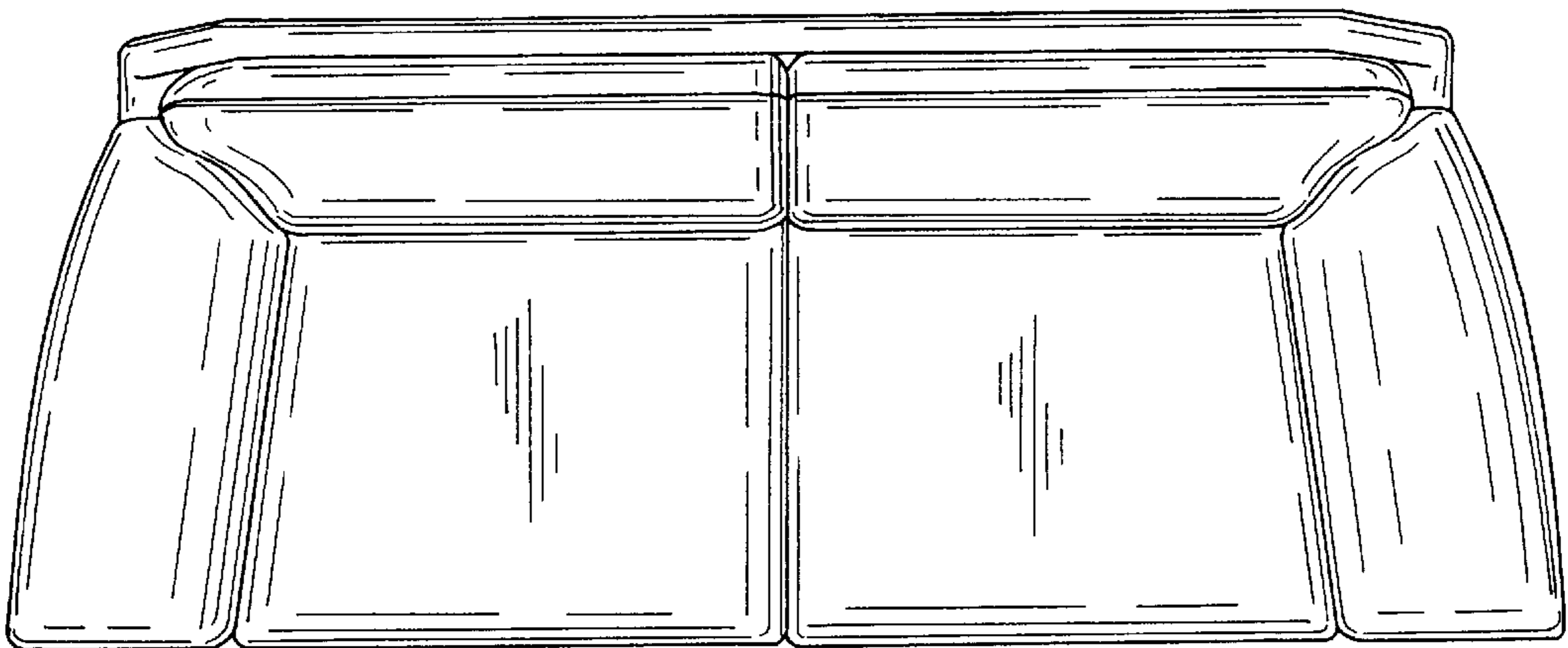


FIG. 3.

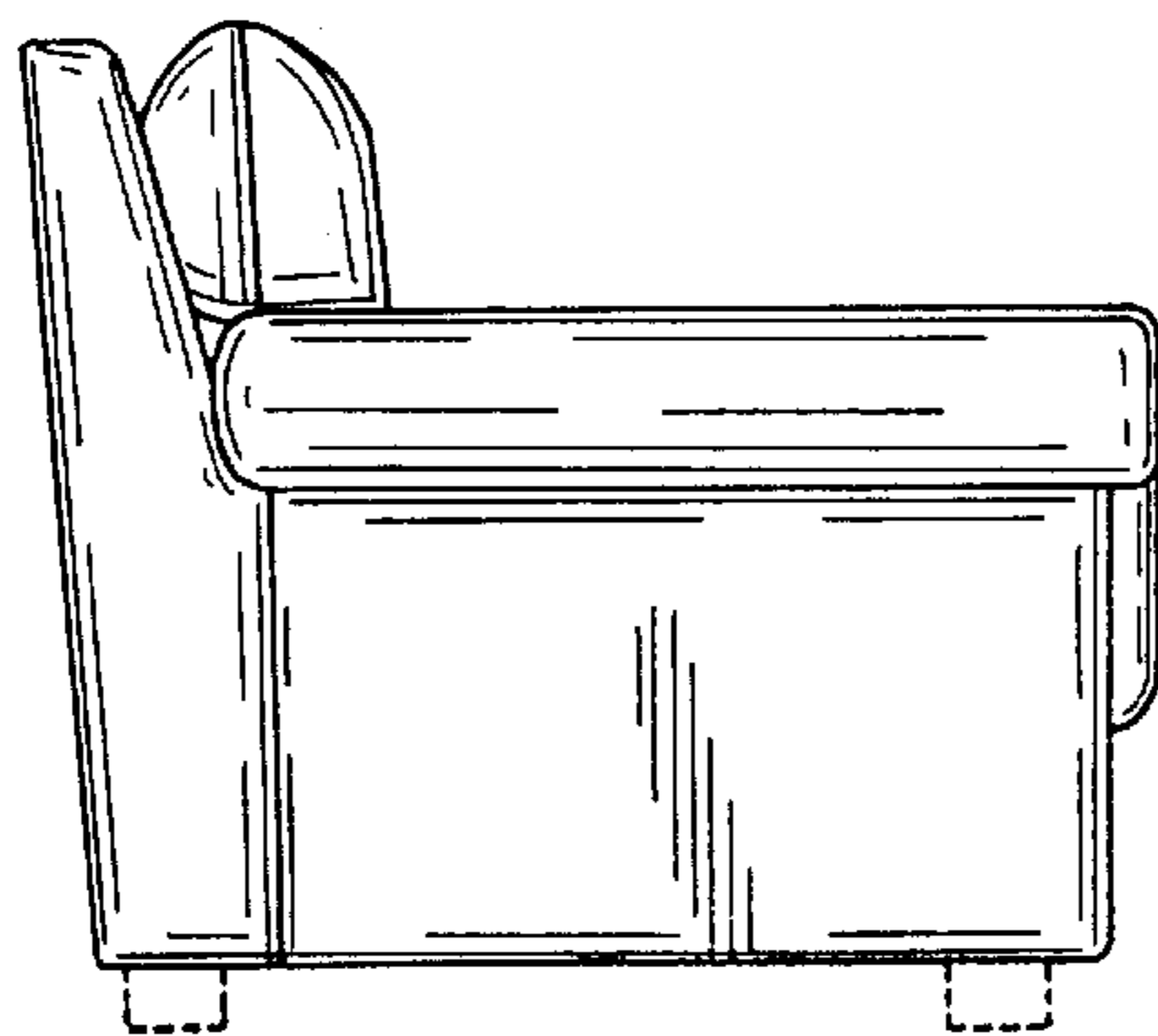


FIG. 4.

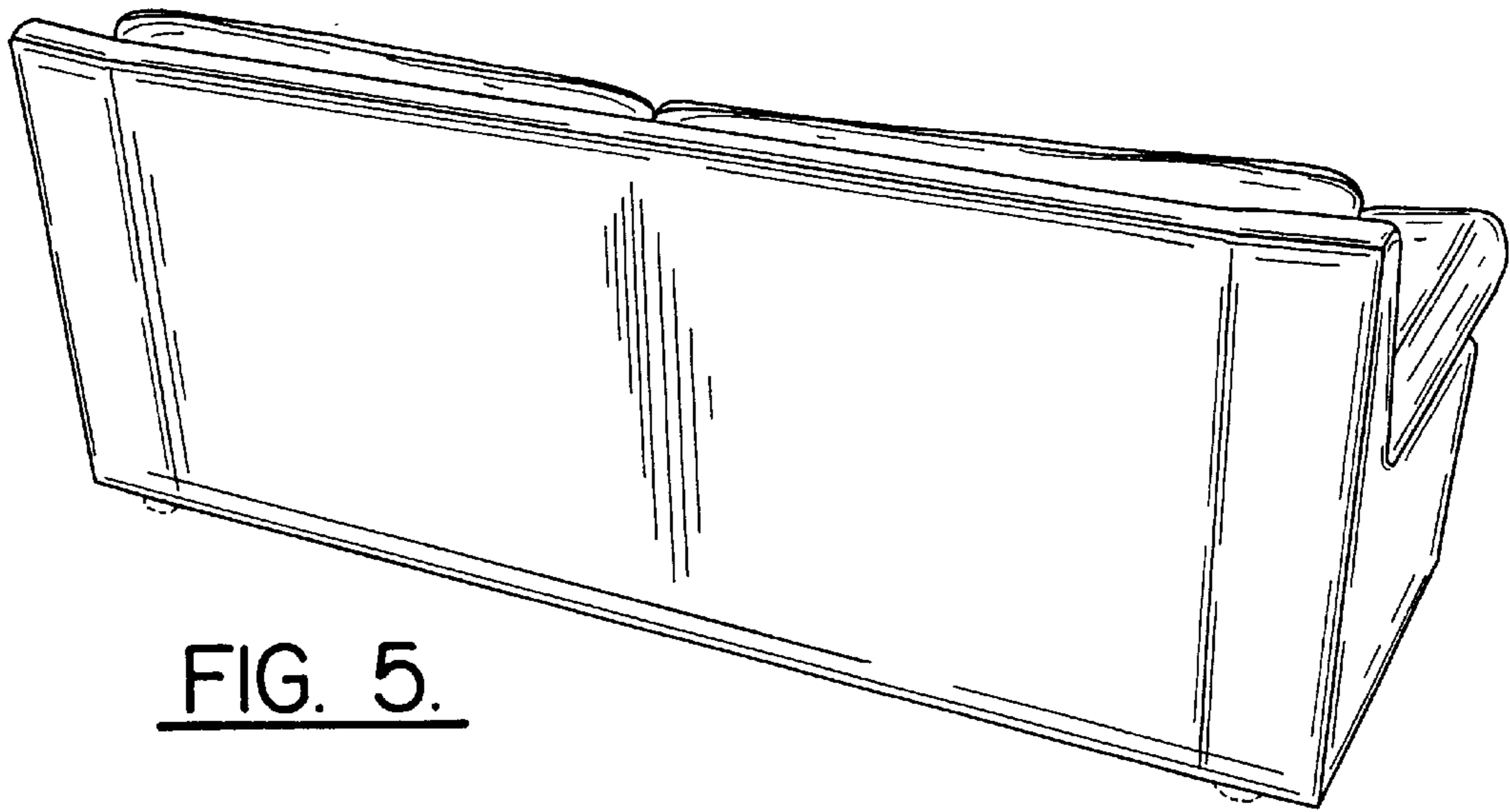


FIG. 5.

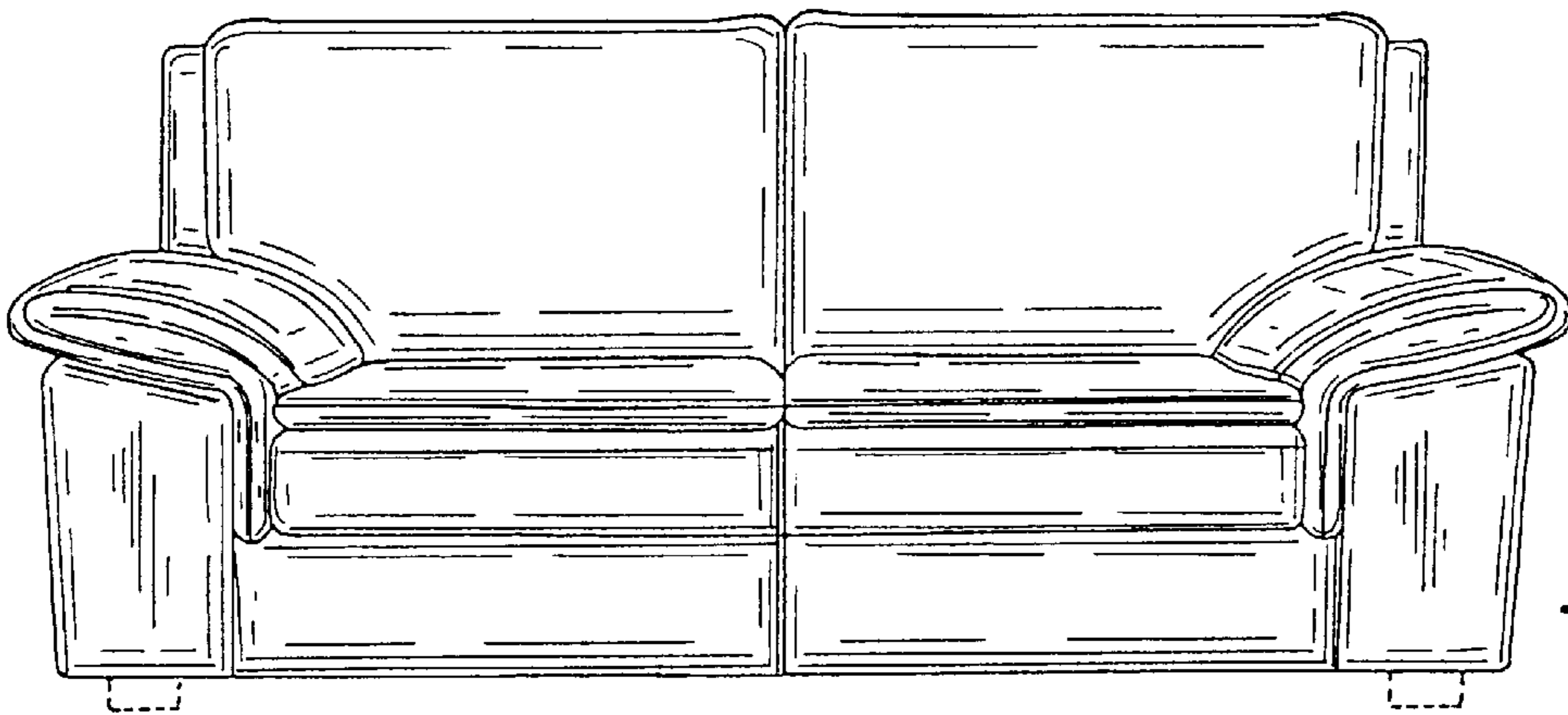


FIG. 6.

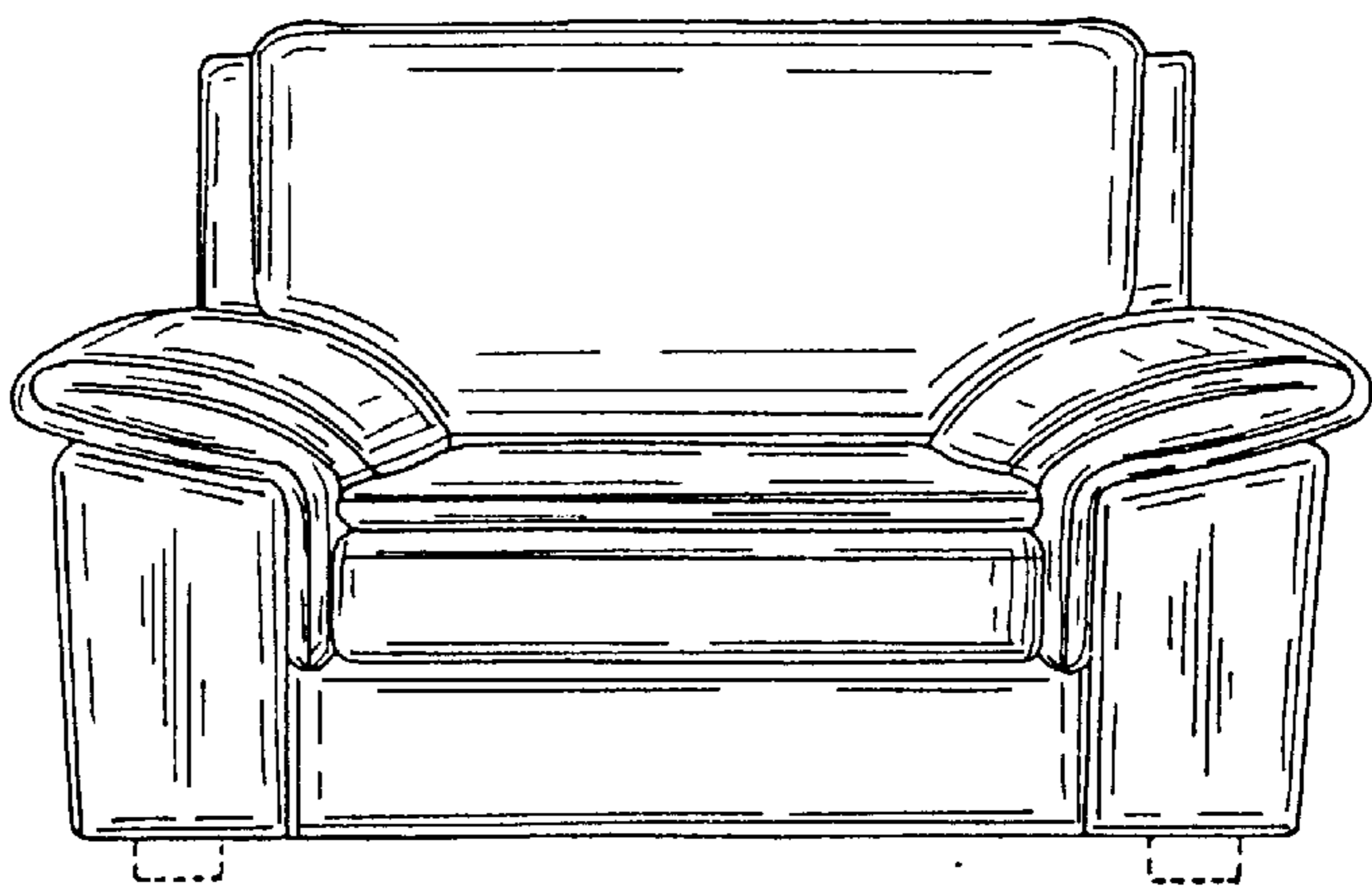


FIG. 7.