



US00D407570S

United States Patent [19]

[11] **Patent Number: Des. 407,570**

Frauenberger

[45] **Date of Patent: **Apr. 6, 1999**

[54] **PORTABLE SEAT**

[76] Inventor: **Karl-Andreas Frauenberger**, Rennpaul
7, Burgwedel D-30938, Germany

[**] Term: **14 Years**

[21] Appl. No.: **62,306**

[22] Filed: **Nov. 13, 1996**

[51] **LOC (6) Cl. 06-01**

[52] **U.S. Cl. D6/368; D6/500**

[58] **Field of Search D6/334, 335, 336,
D6/368, 374, 375, 500, 501, 502; 297/17,
350, 352, 378.1**

[56] **References Cited**

U.S. PATENT DOCUMENTS

D. 183,233	7/1958	Ahrens	D6/368
D. 303,878	10/1989	Goldsmith	D6/368
D. 316,190	4/1991	Sadan	D6/335
D. 335,779	5/1993	Tribelsky	D6/368
D. 337,445	7/1993	Sando	D6/368
4,746,166	5/1988	Sadan	297/17
5,460,426	10/1995	Tribelsky et al.	297/17

Primary Examiner—Gary D. Watson
Attorney, Agent, or Firm—Shlesinger Arkwright & Garvey
LLP

[57] **CLAIM**

The ornamental design for a portable seat, as shown and described.

DESCRIPTION

FIG. 1 is a top perspective view of a portable seat of the present invention, shown in the unfolded position;

FIG. 2 is a bottom perspective view of the portable seat of FIG. 1;

FIG. 3 is a left side view of the portable seat of FIG. 1, the right side view being a mirror image thereof; and,

FIG. 4 is a left side view of the portable seat of FIG. 1, shown in the folded position, the right side view being a mirror image thereof.

The incomplete showing of ribs and apertures on the seat and backrest in FIG. 2 are understood to form a continuous repeating pattern, the incomplete showing only having been made for ease of illustration.

1 Claim, 3 Drawing Sheets

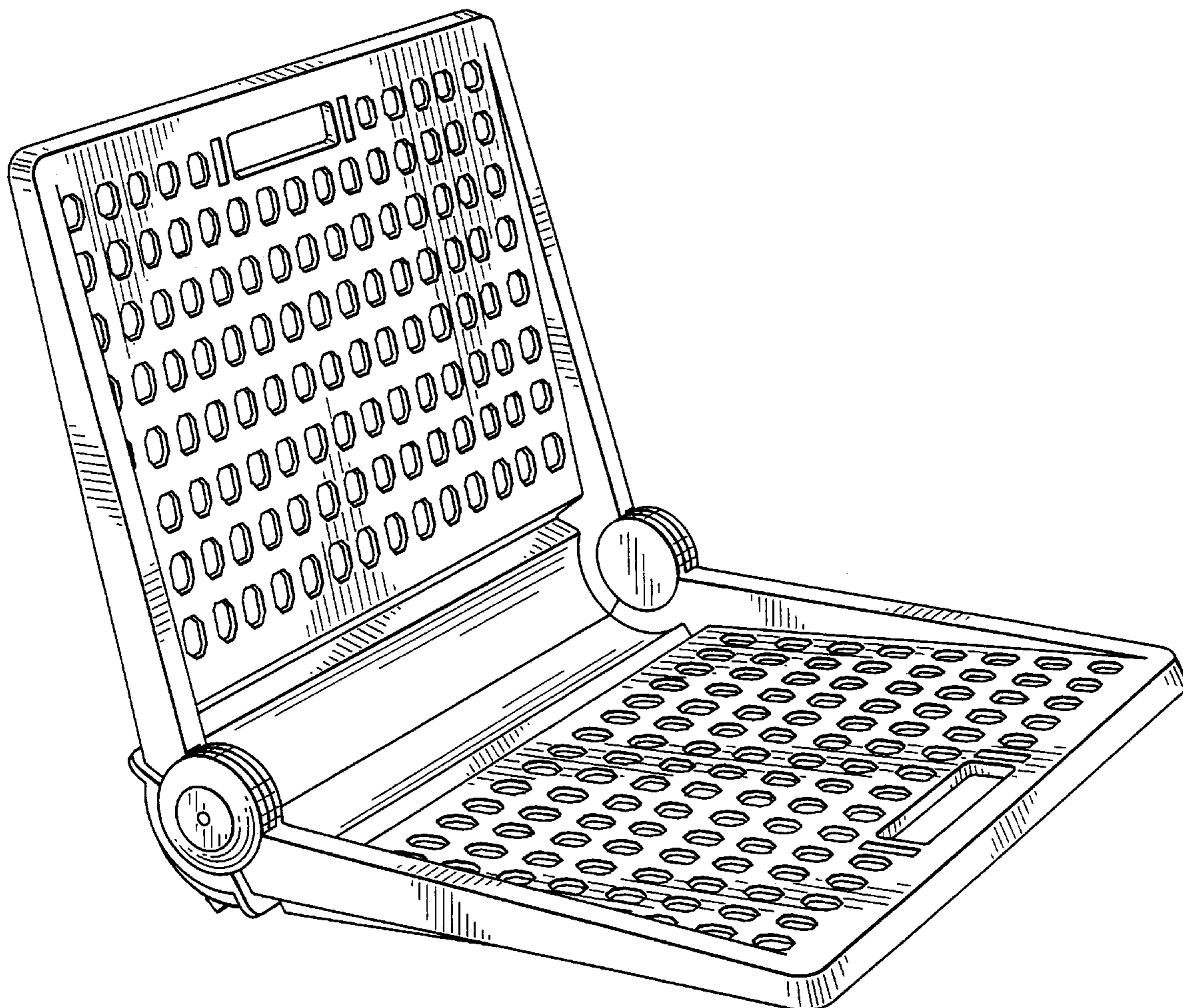
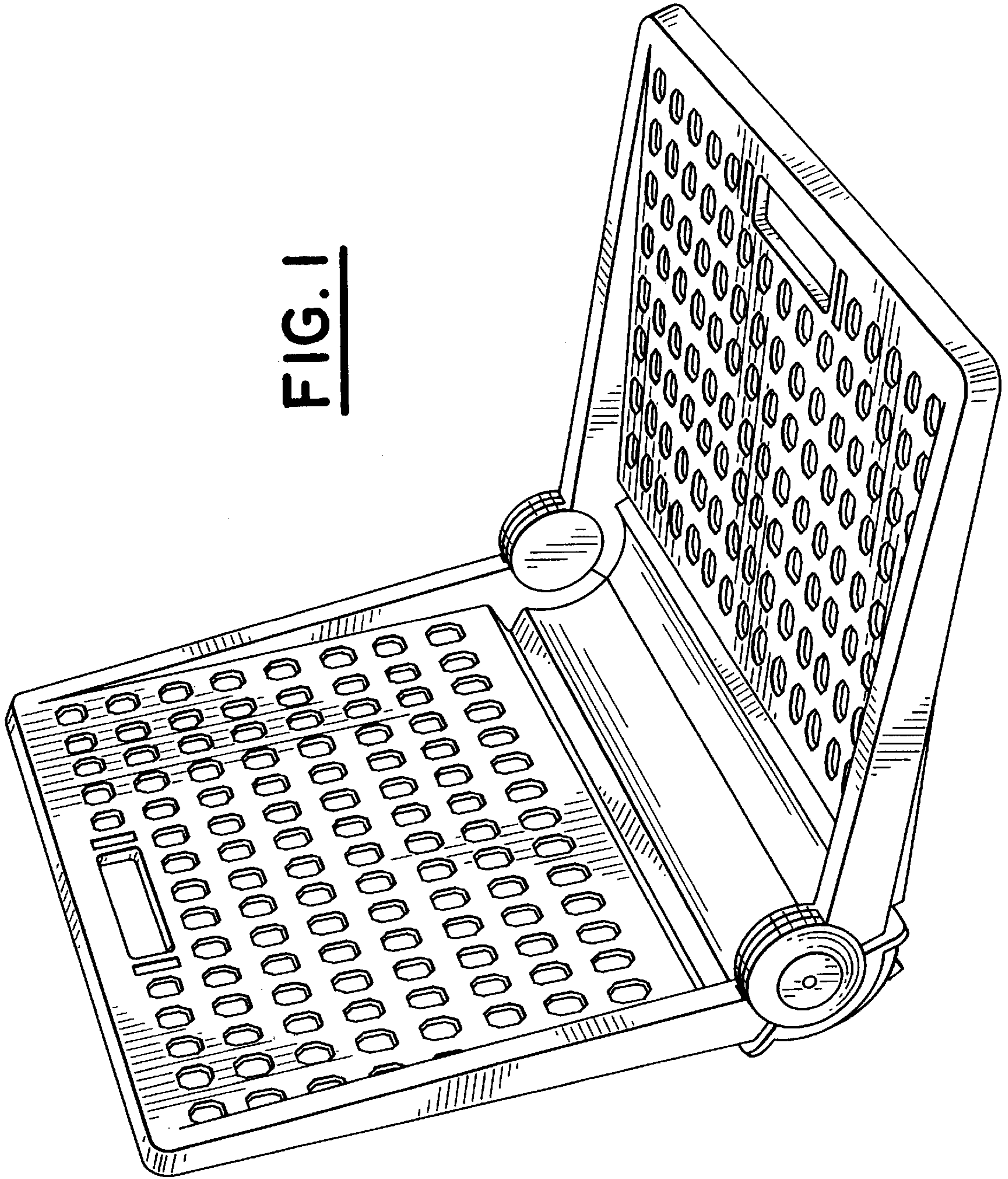


FIG. 1



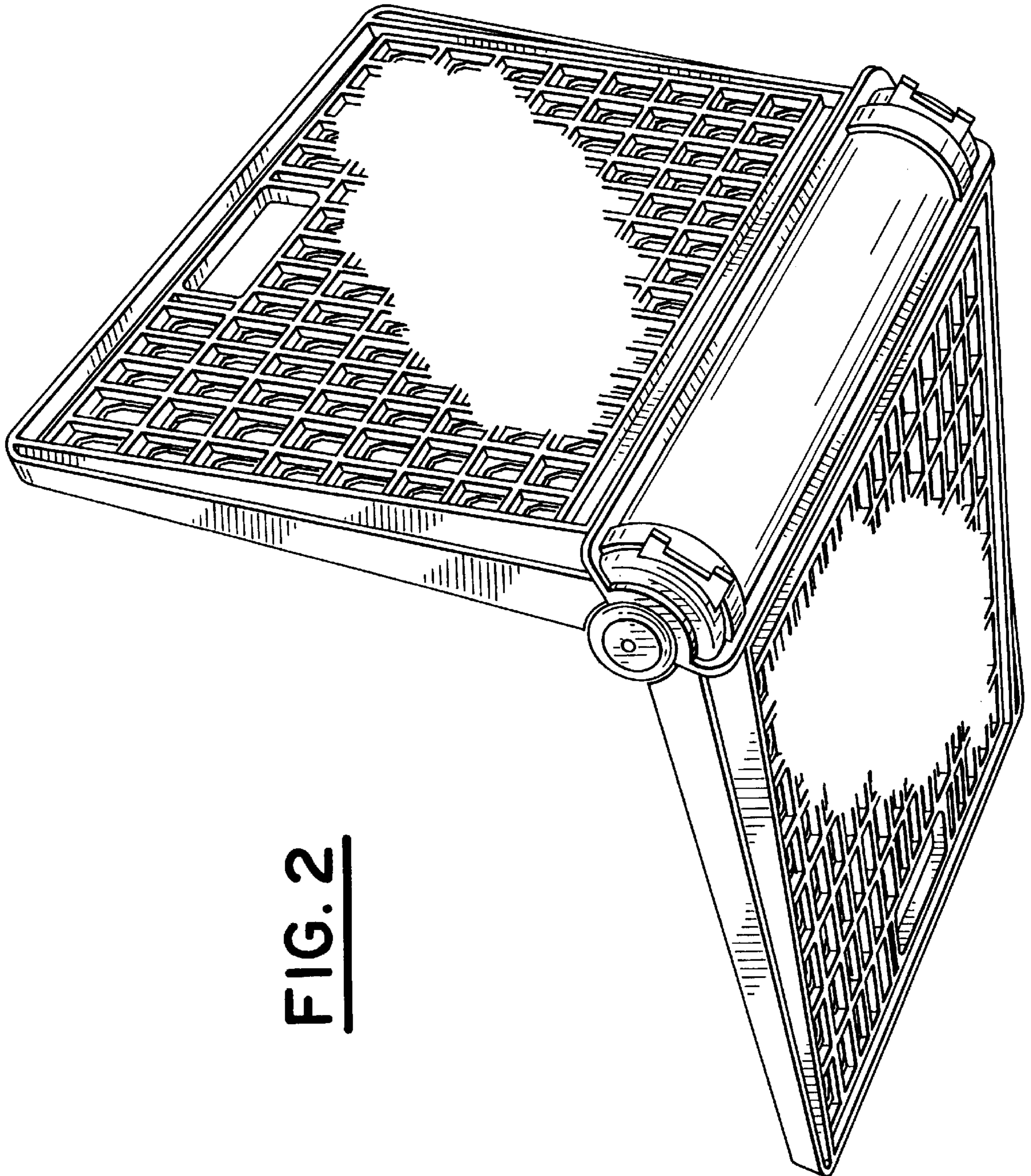


FIG. 2

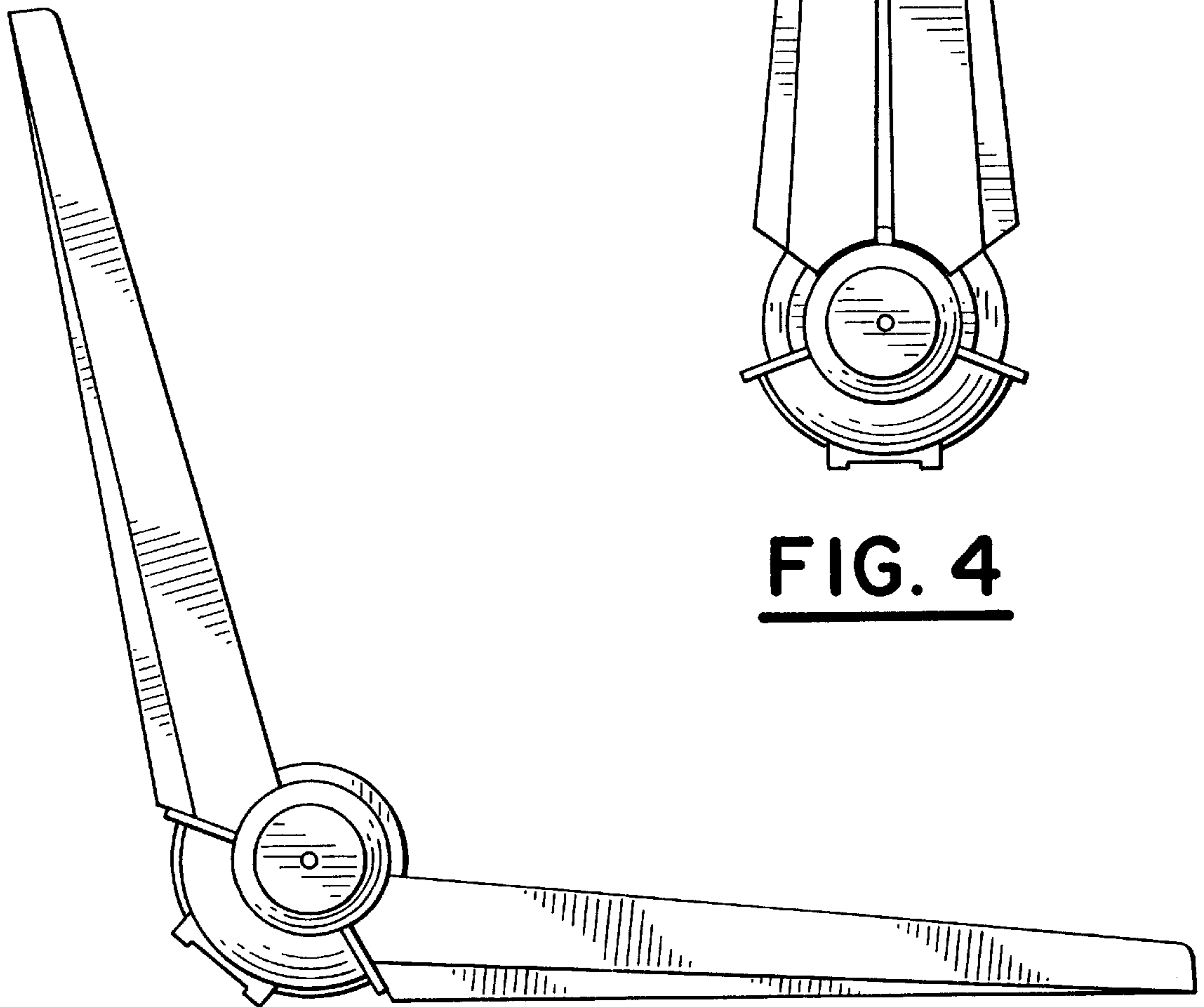


FIG. 4

FIG. 3