



US00D407565S

# United States Patent [19] Wilcox

[11] **Patent Number:** **Des. 407,565**

[45] **Date of Patent:** **\*\*Apr. 6, 1999**

[54] **SCARF HANGER**

[75] **Inventor:** **Jay P. Wilcox**, Cedarburg, Wis.

[73] **Assignee:** **Allen-Edmonds Shoe Corporation**,  
Port Washington, Wis.

[\*\*] **Term:** **14 Years**

[21] **Appl. No.:** **83,607**

[22] **Filed:** **Feb. 12, 1998**

[51] **LOC (6) Cl.** ..... **06-08**

[52] **U.S. Cl.** ..... **D6/319; D6/315**

[58] **Field of Search** ..... D6/315, 318, 319,  
D6/317; 223/85, 88; 211/113, 119, 85.3;  
248/315, 215

[56] **References Cited**

**U.S. PATENT DOCUMENTS**

- D. 250,242 11/1978 Knobel et al. .
- D. 365,214 12/1995 Wilcox .
- D. 389,003 1/1998 Wilcox .

- D. 394,557 5/1998 Wilcox .
- 750,063 1/1904 Redding .
- 3,141,937 7/1964 Eduard, Jr. .
- 4,136,784 1/1979 Knobel et al. .
- 5,118,059 6/1992 Mainer .

*Primary Examiner*—B. J. Bullock  
*Attorney, Agent, or Firm*—Andrus, Scales, Starke & Sawall

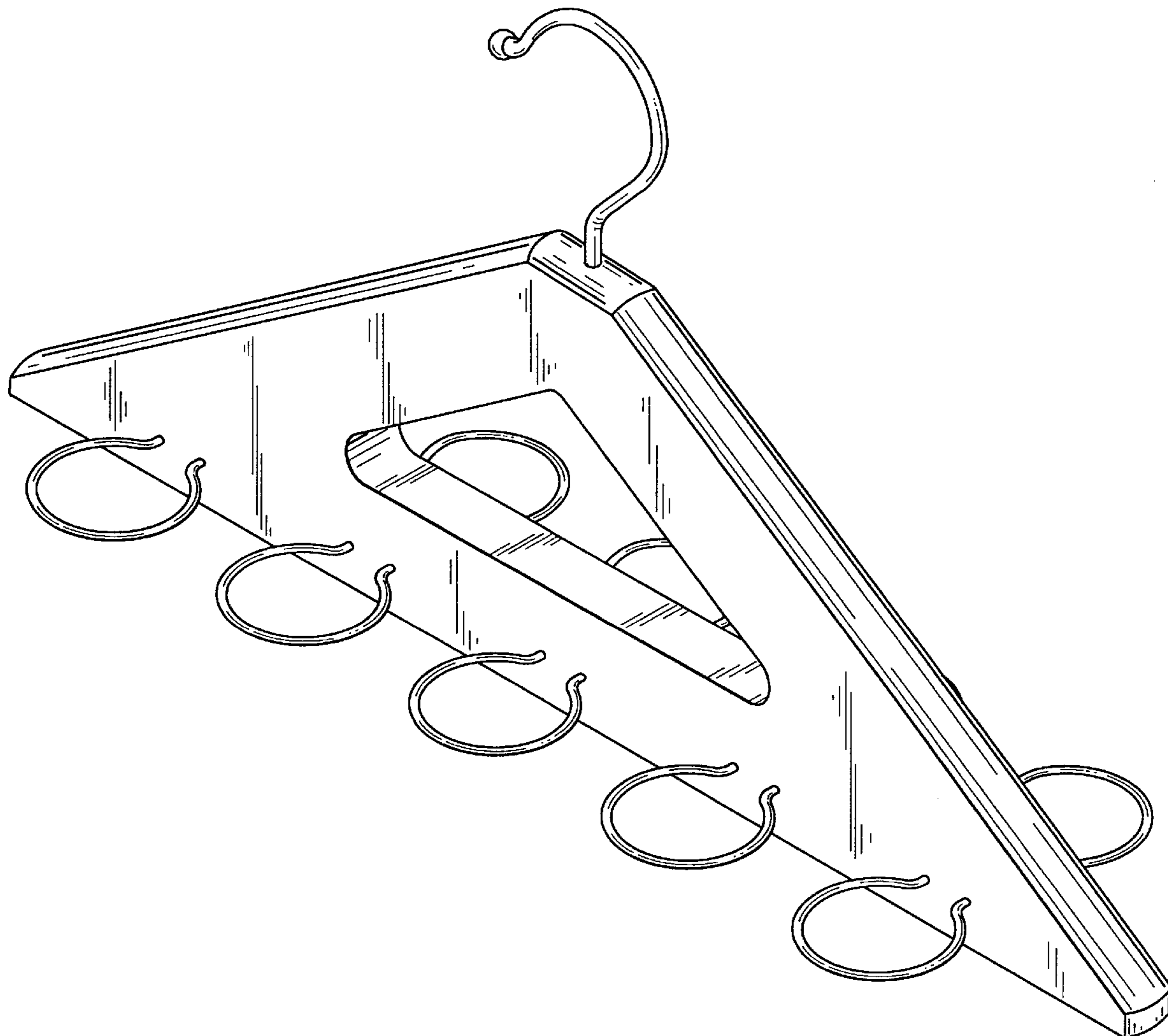
[57] **CLAIM**

The ornamental design for a scarf hanger, as shown and described.

**DESCRIPTION**

FIG. 1 is a front perspective view of a scarf hanger showing my new design, the side opposite that shown being identical except for the hook;  
FIG. 2 is a front elevational view thereof, the rear elevational view being a mirror image;  
FIG. 3 is a top plan view thereof; and,  
FIG. 4 is a bottom plan view thereof.

**1 Claim, 3 Drawing Sheets**



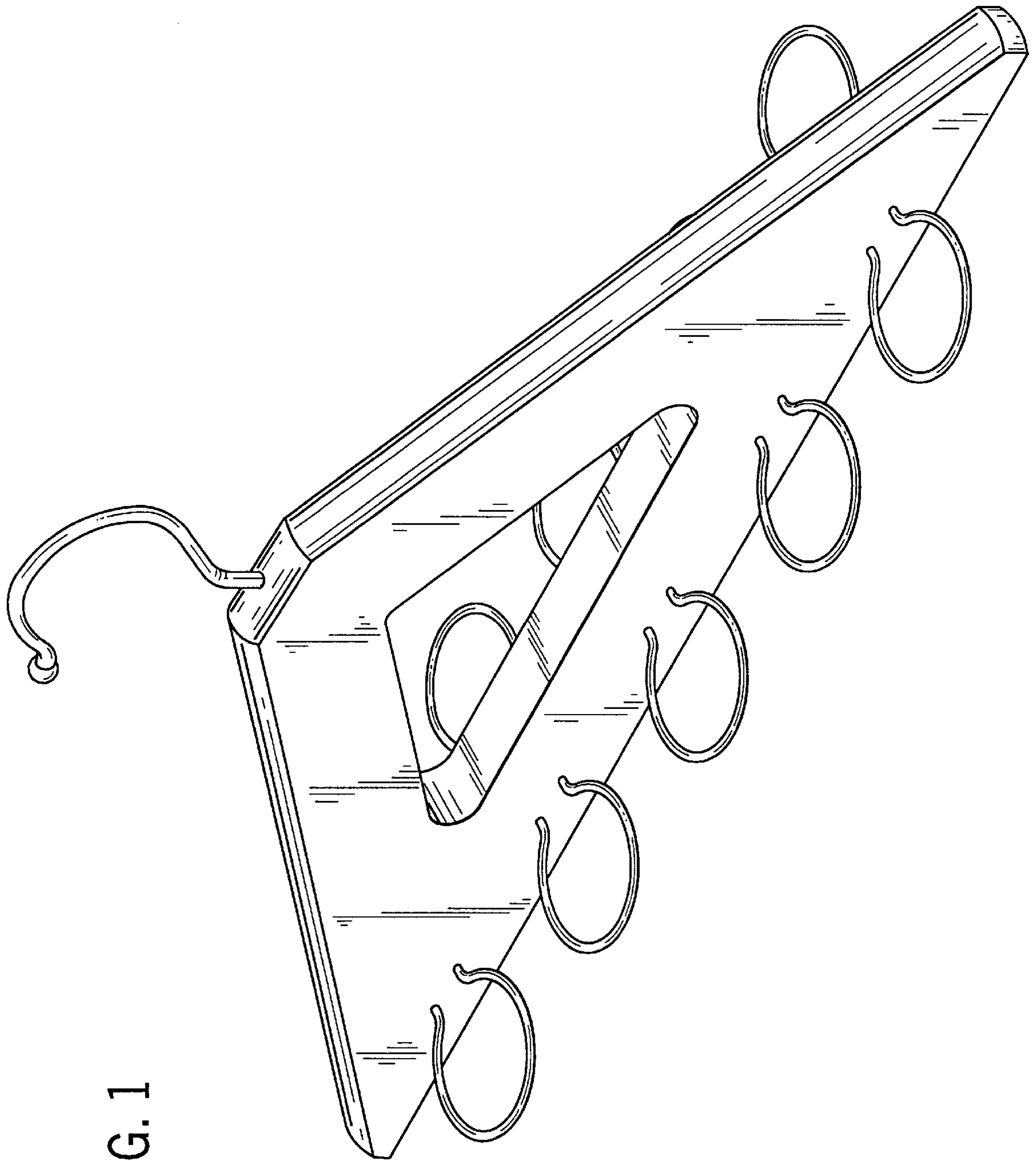


FIG. 1

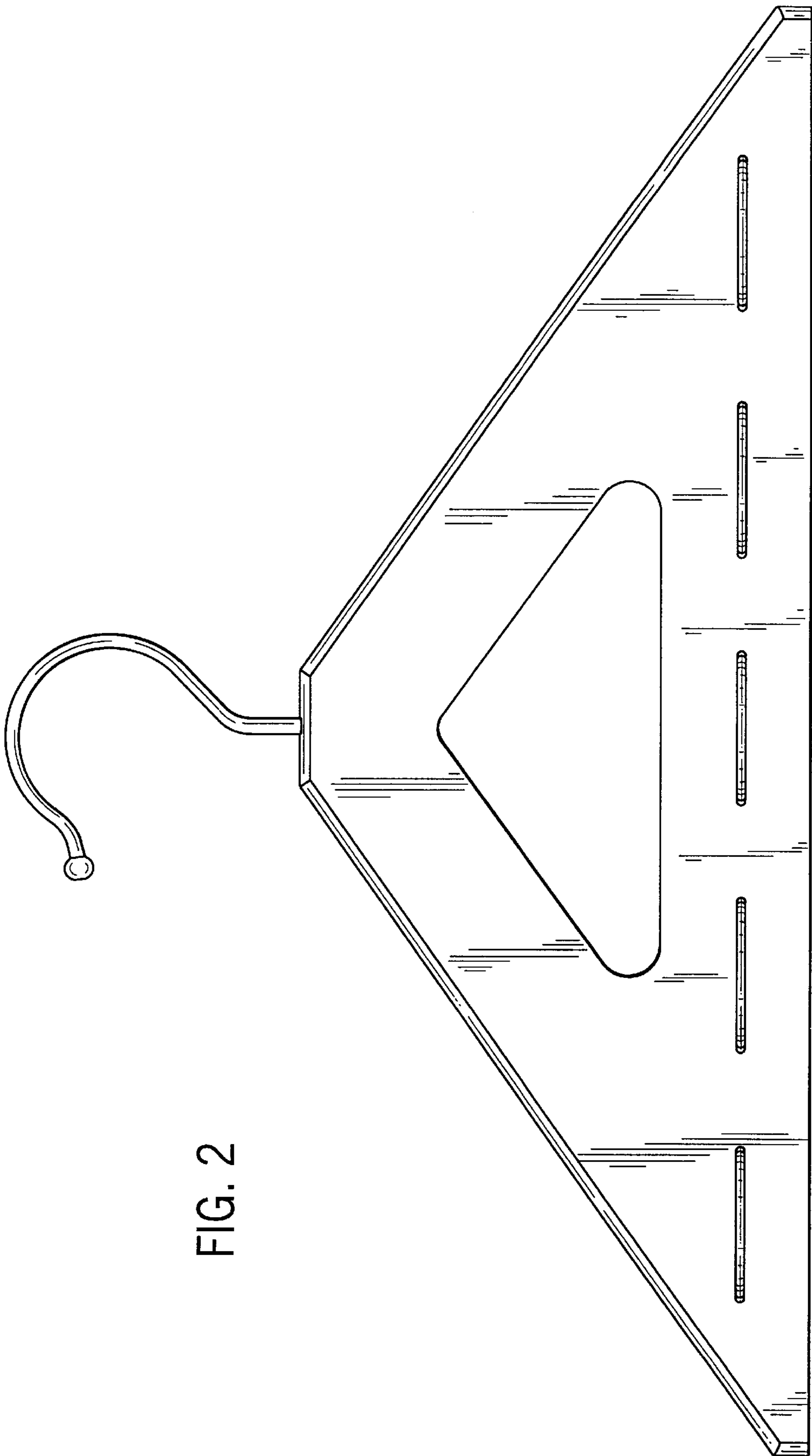


FIG. 2

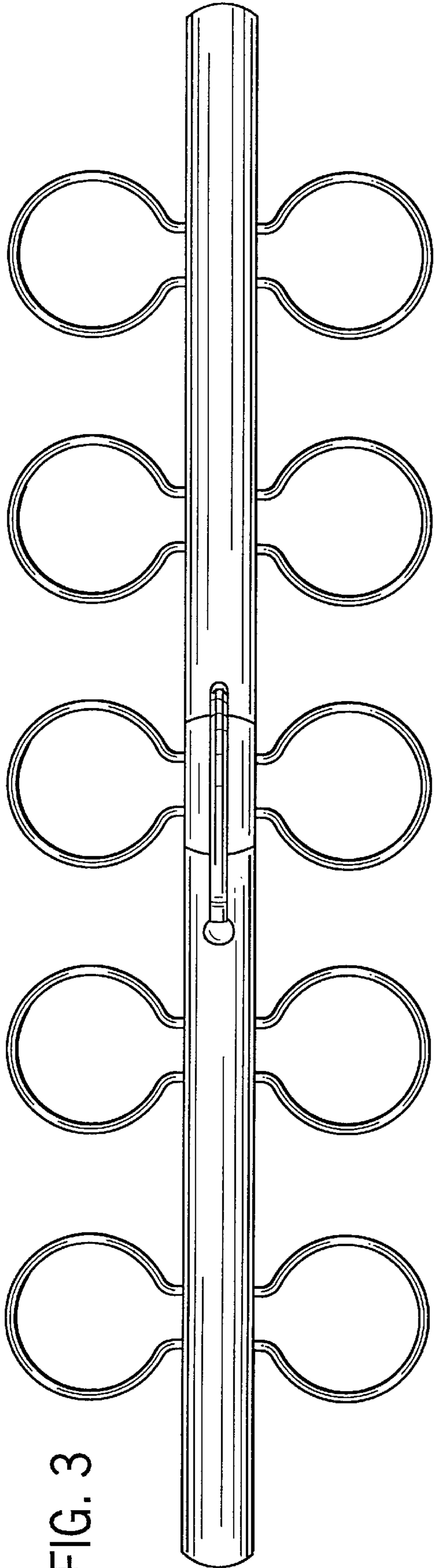


FIG. 3

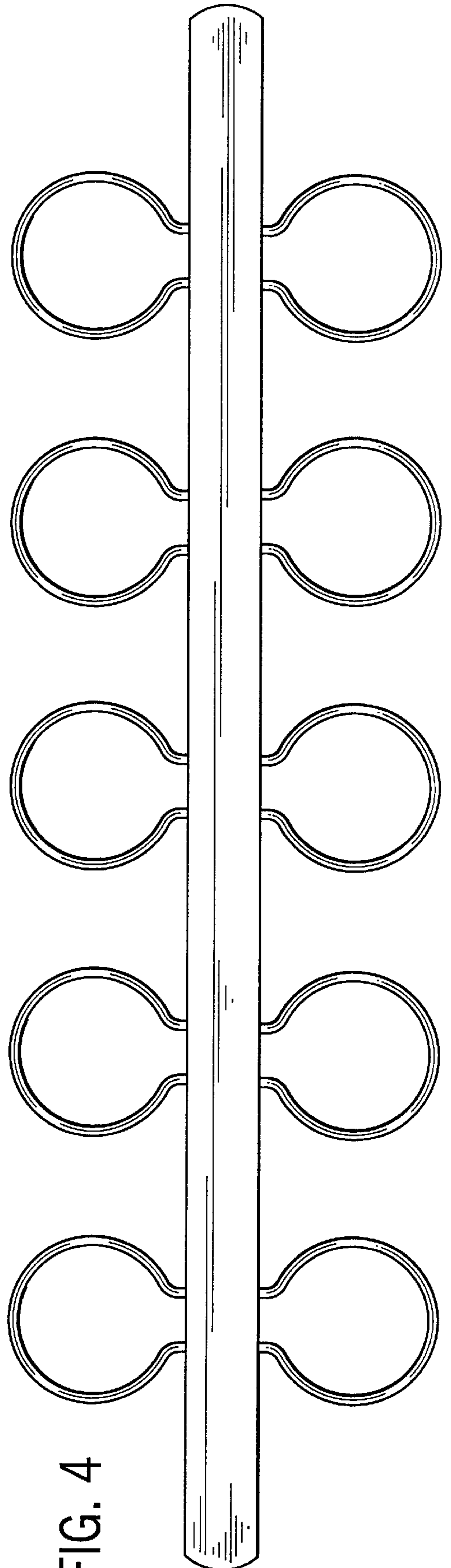


FIG. 4