



US00D407564S

United States Patent [19]
Wilcox

[11] **Patent Number: Des. 407,564**

[45] **Date of Patent: **Apr. 6, 1999**

[54] **SCARF HANGER**

5,118,059 6/1992 Mainei .

[75] Inventor: **Jay P. Wilcox**, Cedarburg, Wis.

OTHER PUBLICATIONS

Hold Everything Cat.; p. 43; 9-belt hanger, Mar. 1996.

[73] Assignee: **Allen-Edmonds Shoe Corporation**,
Port Washington, Wis.

Primary Examiner—B. J. Bullock

[**] Term: **14 Years**

Attorney, Agent, or Firm—Andrus, Scales, Starke &
Sawall

[21] Appl. No.: **83,609**

[57] **CLAIM**

[22] Filed: **Feb. 12, 1998**

The ornamental design for a scarf hanger, as shown and
described.

[51] **LOC (6) Cl.** **06-08**

DESCRIPTION

[52] **U.S. Cl.** **D6/315**

[58] **Field of Search** D6/315, 513; 211/113,
211/119, 85.3; 223/85, 88; 248/315

FIG. 1 is a front perspective view of a scarf hanger showing
my new design;

[56] **References Cited**

U.S. PATENT DOCUMENTS

- D. 250,242 11/1978 Knorbel et al. .
- D. 369,909 5/1996 Sacks .
- 750,068 1/1904 Redding .
- 3,141,937 7/1964 Edward, Jr. .
- 4,136,784 1/1979 Knobet et al. .

FIG. 2 is a front elevational view thereof, the rear elevational
view being a mirror image;

FIG. 3 is a right side elevational view thereof;

FIG. 4 is a left side elevational view thereof;

FIG. 5 is a top plan view thereof; and,

FIG. 6 is a bottom plan view thereof.

1 Claim, 4 Drawing Sheets

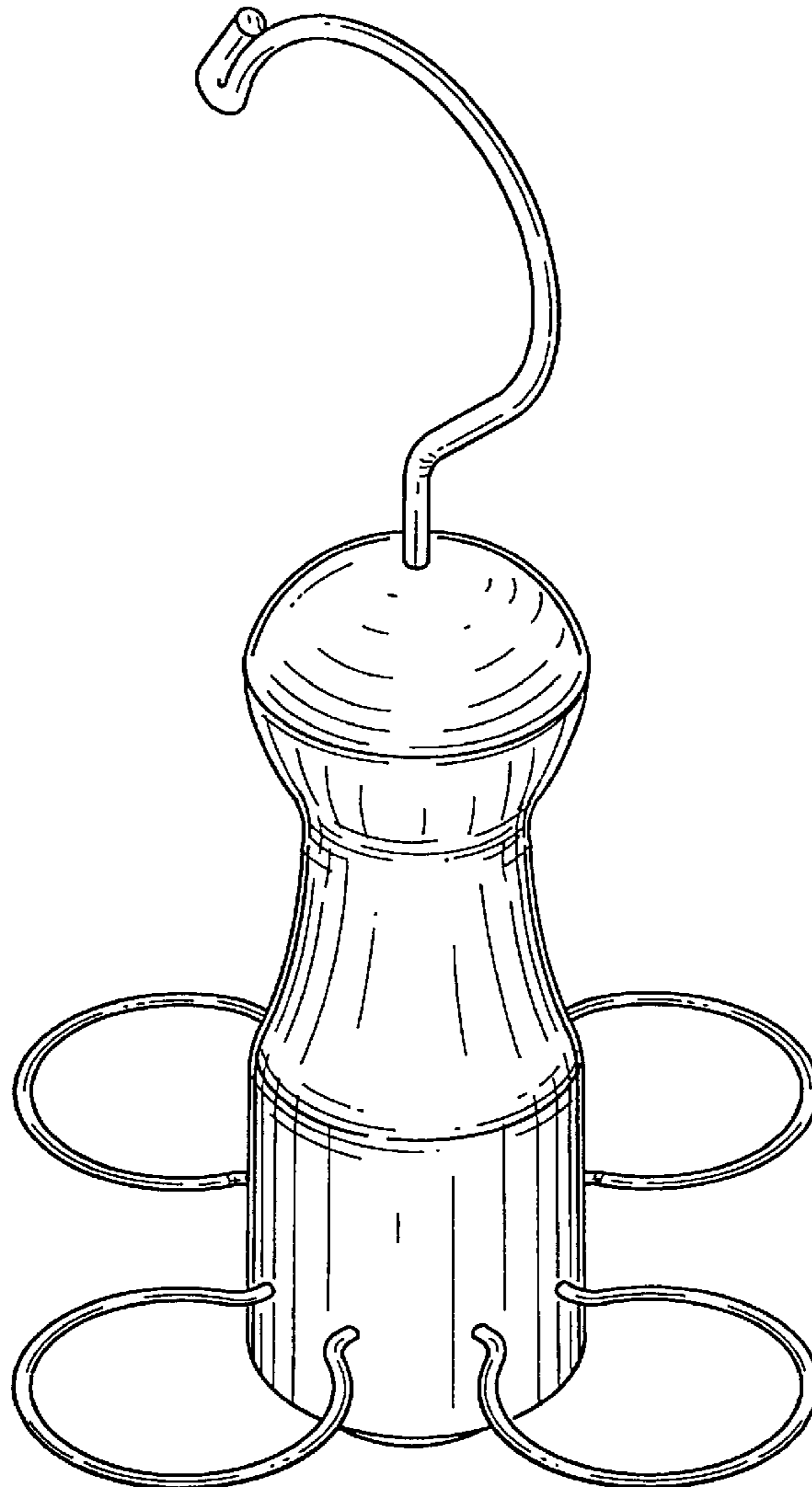


FIG. 1

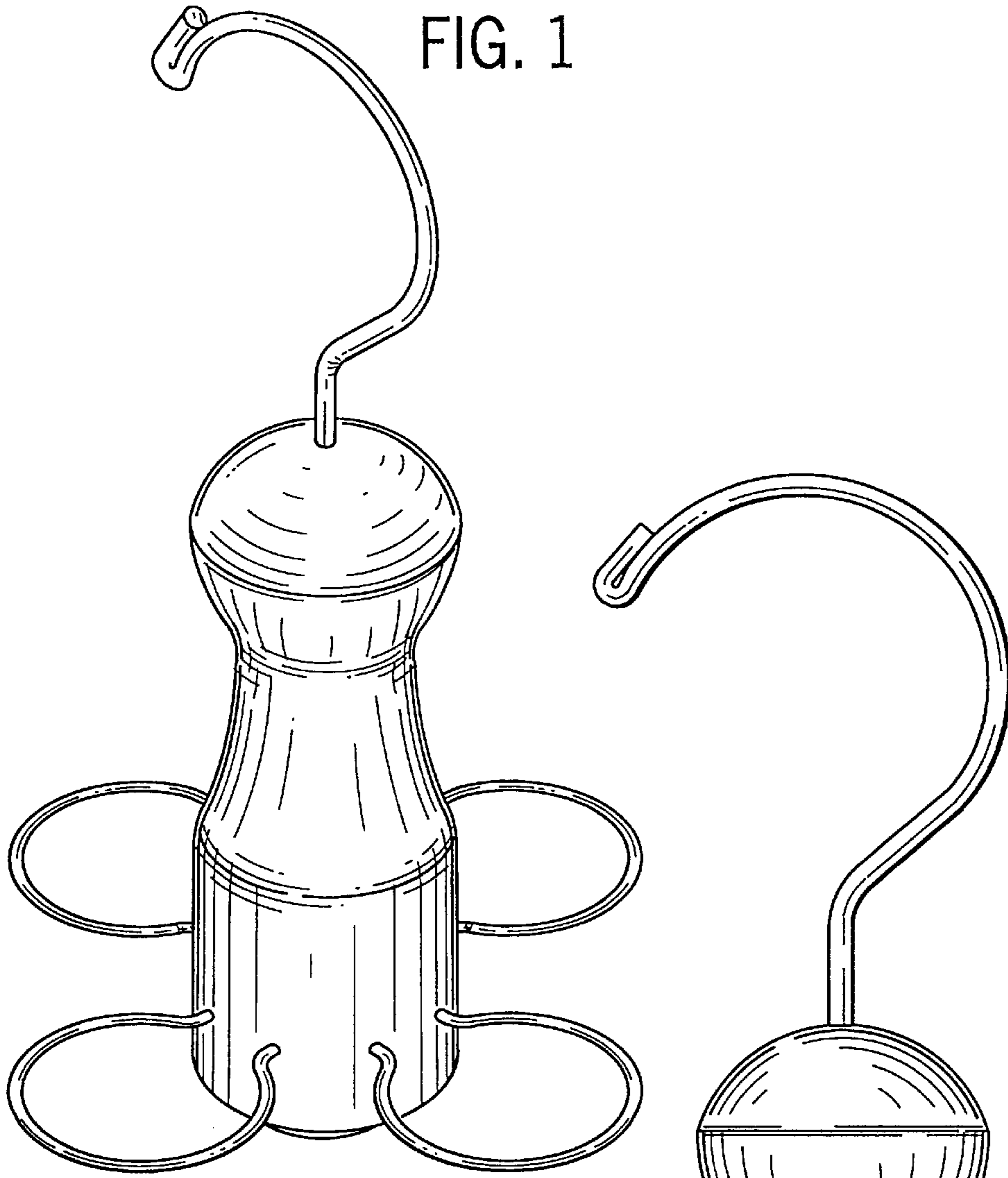


FIG. 2

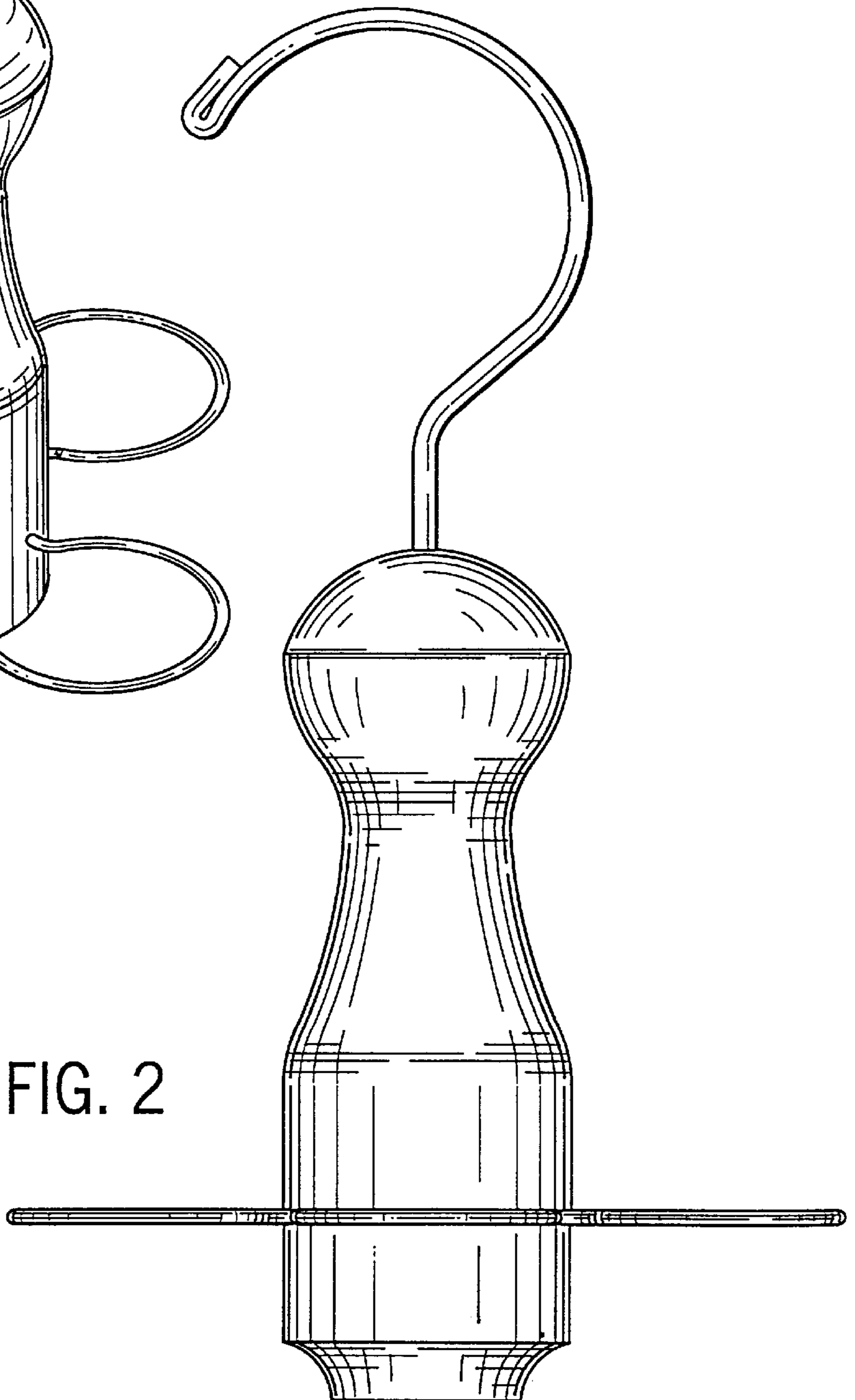


FIG. 3

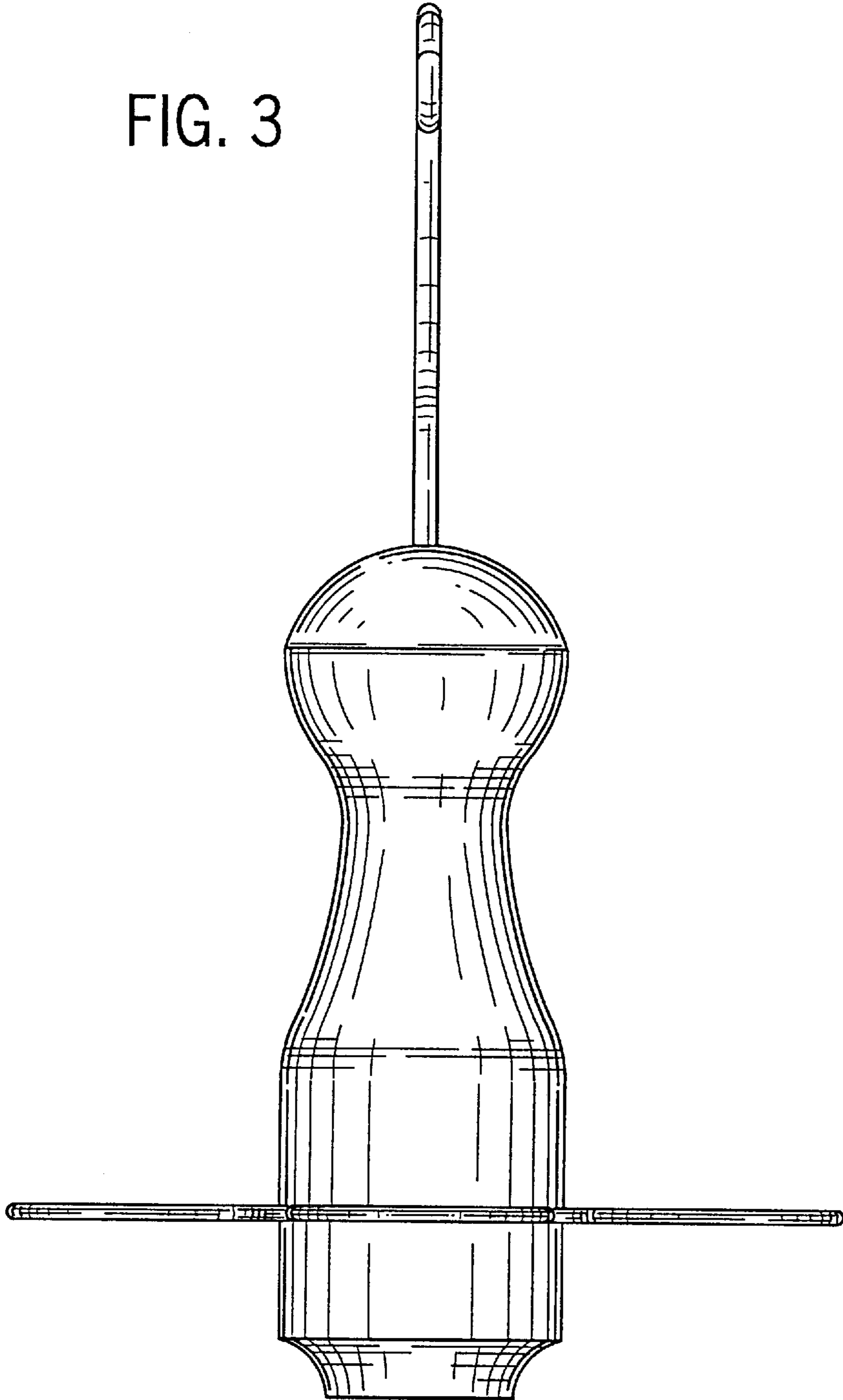


FIG. 4

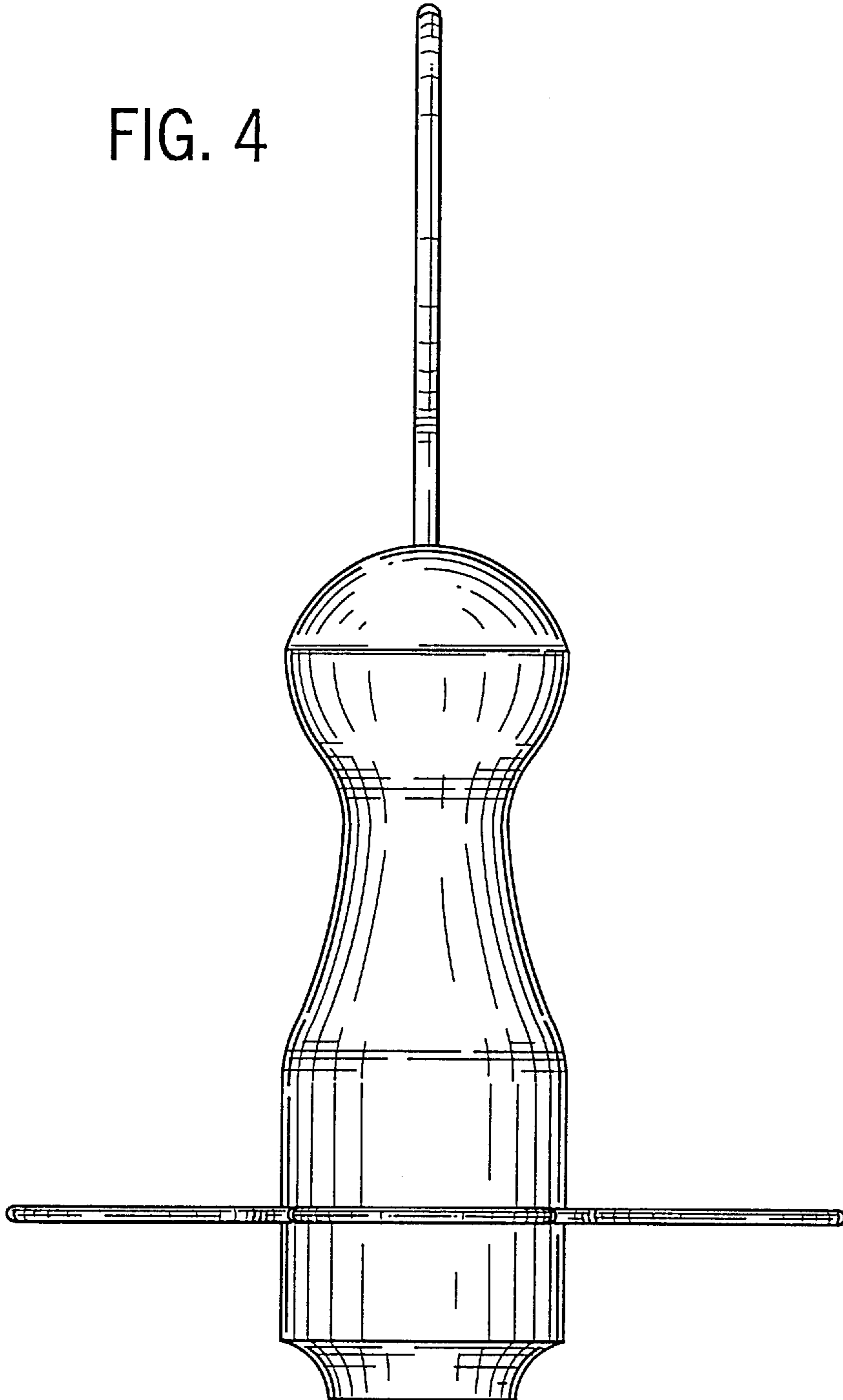


FIG. 5

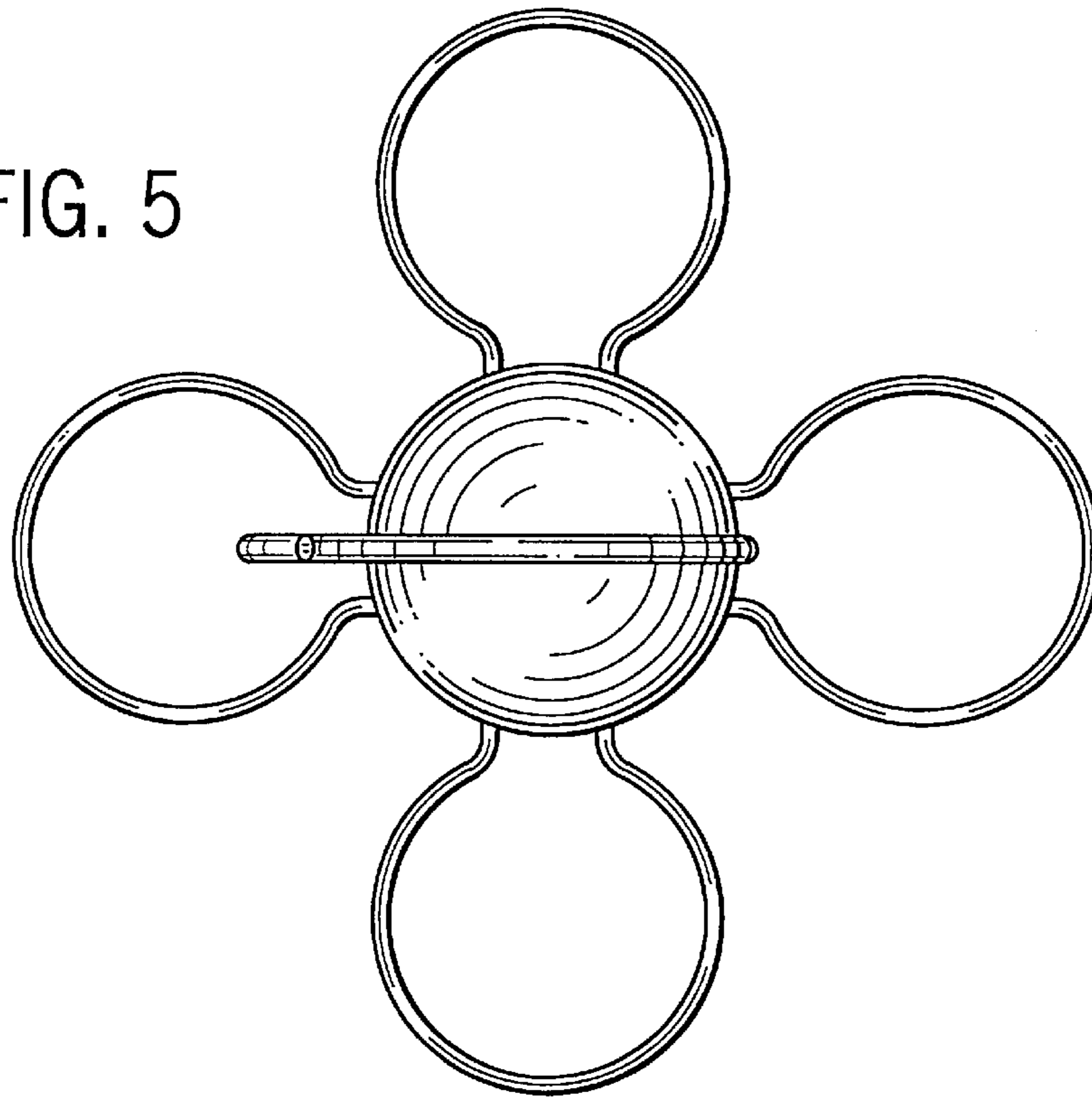


FIG. 6

