

US00D407563S

United States Patent [19]
Majkowski

[11] **Patent Number: Des. 407,563**
[45] **Date of Patent: **Apr. 6, 1999**

[54] **CLOTHES HANGER**

[76] Inventor: **Robert Majkowski**, 1470 NE. 123rd,
Apt. 105, N. Miami, Fla. 33161

[**] Term: **14 Years**

[21] Appl. No.: **65,762**

[22] Filed: **Jul. 22, 1996**

[51] **LOC (6) Cl. 06-08**

[52] **U.S. Cl. D6/315; D6/318; D6/328**

[58] **Field of Search D6/315, 318, 328;**
211/113; 223/85, 92, 98

[56] **References Cited**

U.S. PATENT DOCUMENTS

- D. 26,615 2/1897 Clinton .
- D. 85,311 10/1931 Wyckoff et al. .
- 1,132,530 3/1915 Warren .
- 1,910,901 5/1933 Koplow .
- 2,528,036 10/1950 Cook .
- 2,900,117 8/1959 ve Hry .

OTHER PUBLICATIONS

Hang All Int'l Inc. Cat.; p. 9; hanger 510H, ©1990.

Primary Examiner—B. J. Bullock
Attorney, Agent, or Firm—McHale & Slavin, P.A.

[57] **CLAIM**

The ornamental design for a clothes hanger, as shown and described.

DESCRIPTION

FIG. 1 is a perspective view of the clothes hanger;
FIG. 2 is a front view thereof, the rear being a mirror image;
FIG. 3 is a top view thereof;
FIG. 4 is a bottom view thereof;
FIG. 5 is a left side view thereof; and,
FIG. 6 is a right side view forming a mirror image of said left view.

The cross line shading which is partially shown in all views is understood to repeat uniformly across the circumscribed area.

1 Claim, 2 Drawing Sheets

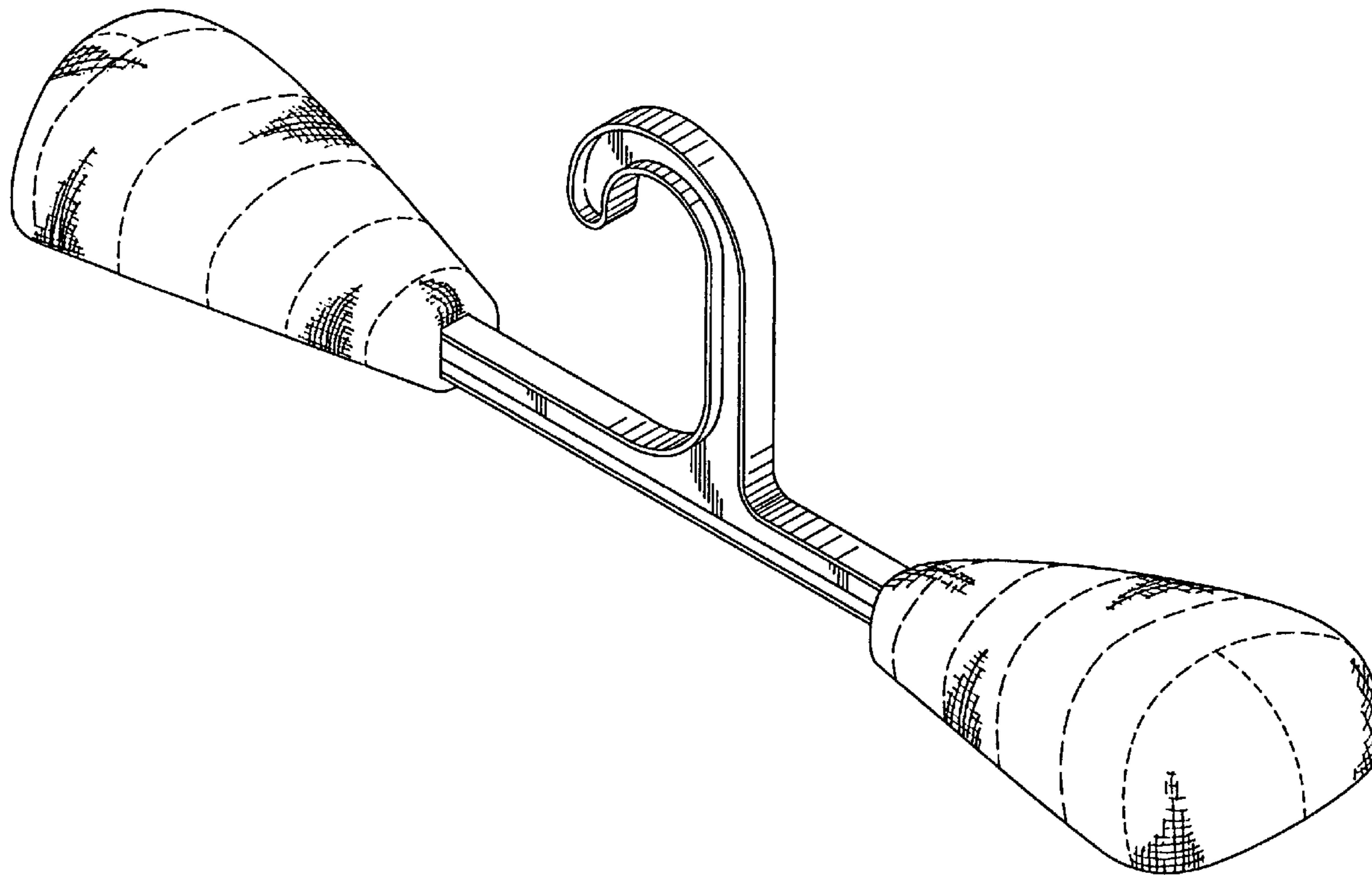


FIG. 1

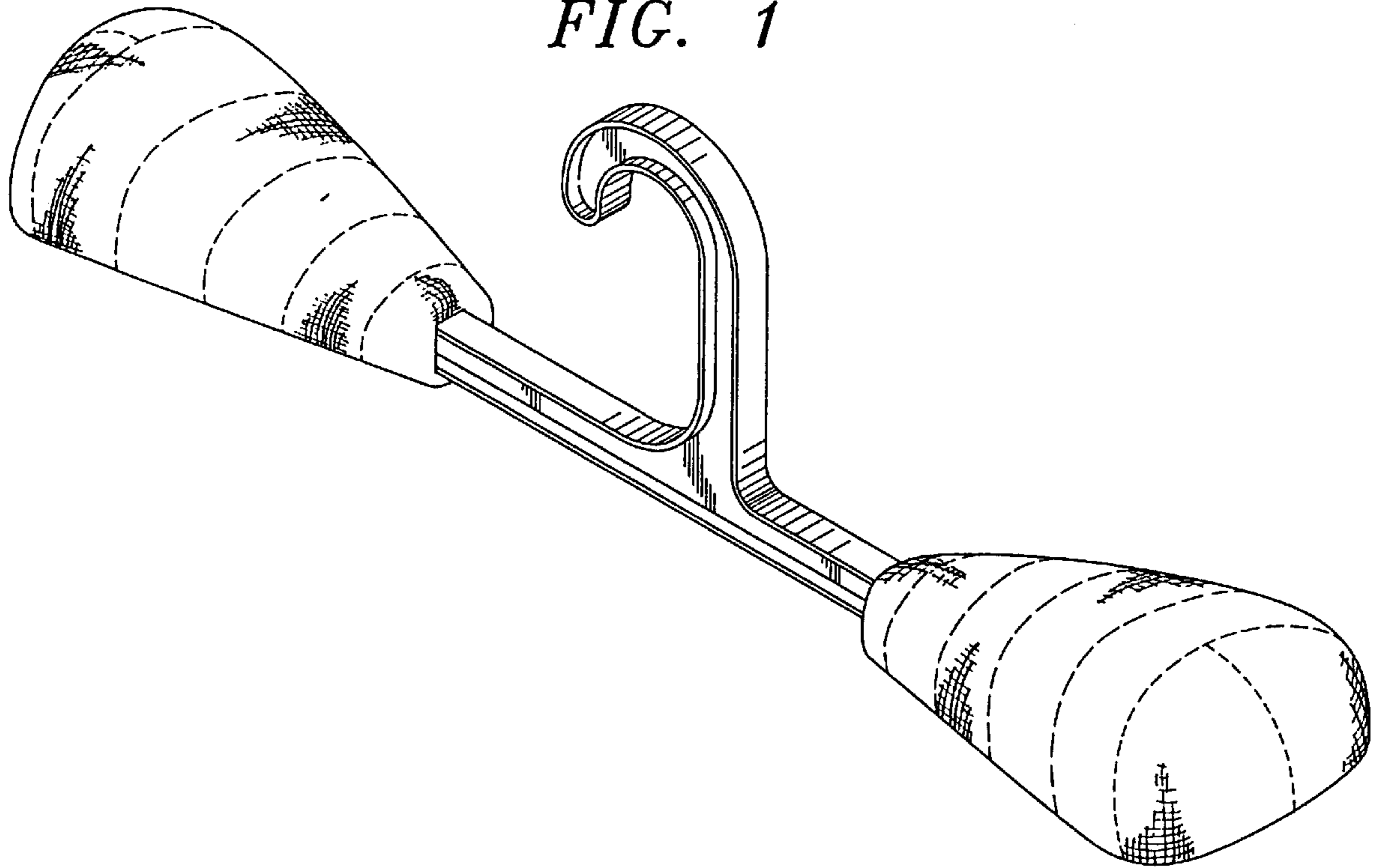


FIG. 2

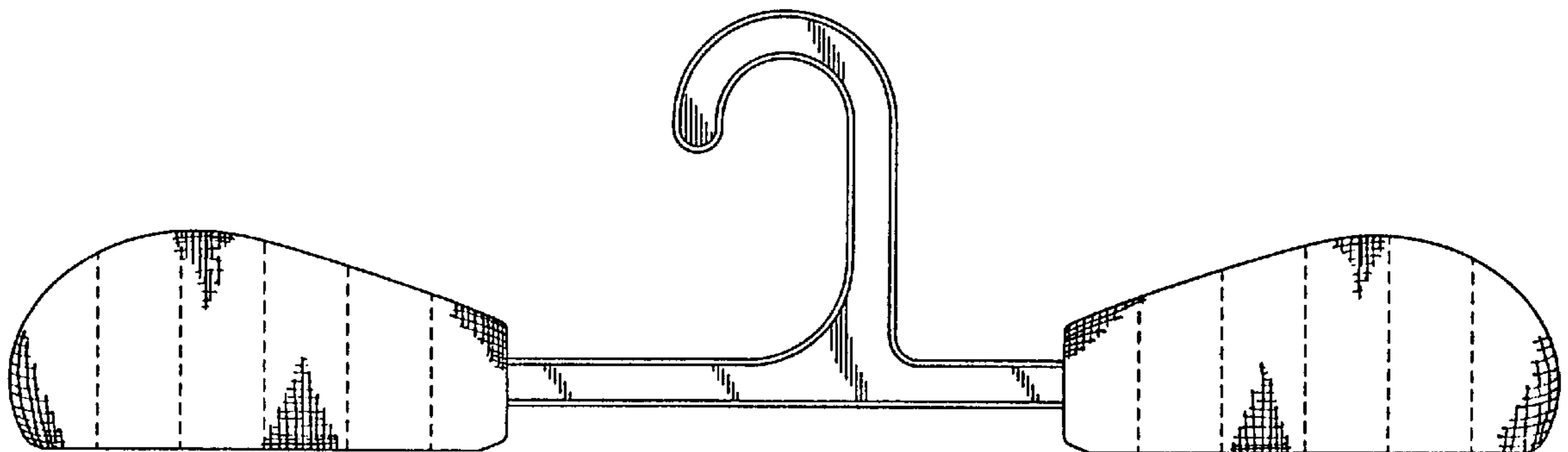


FIG. 3

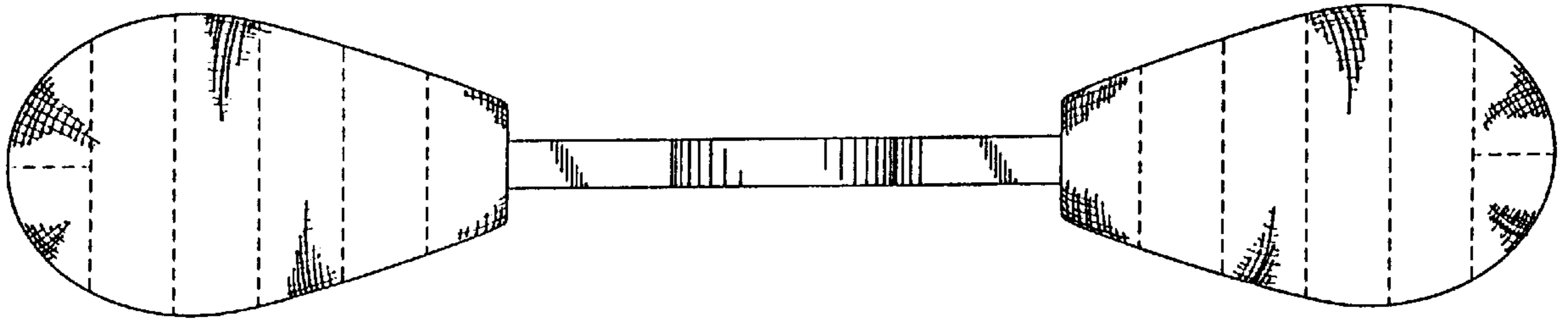


FIG. 4

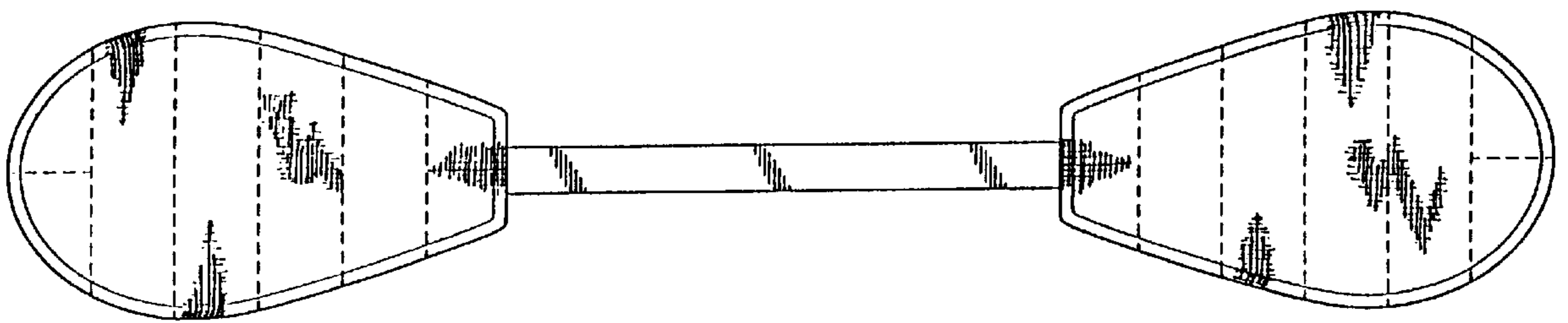


FIG. 5

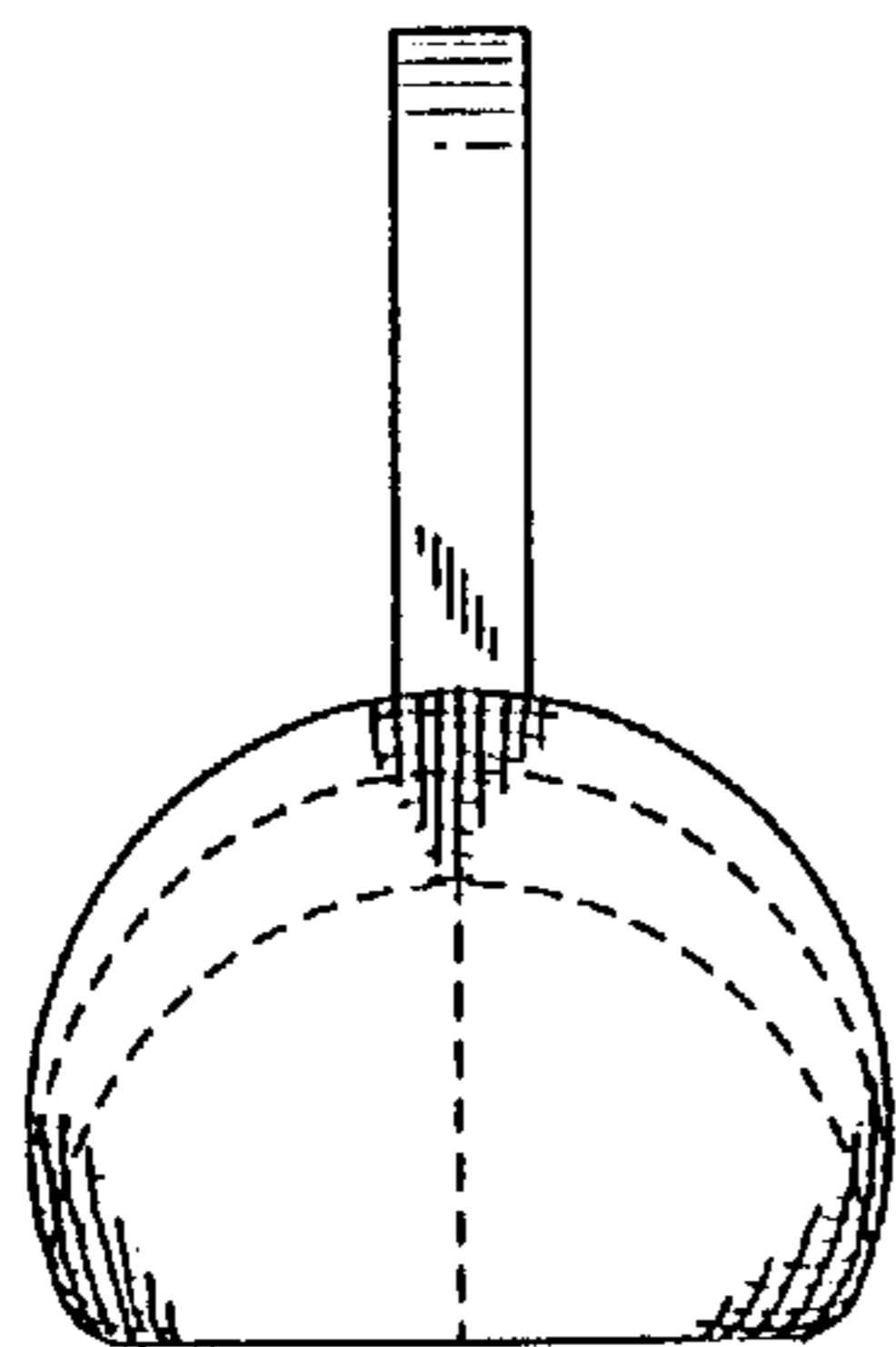


FIG. 6

