



US00D407559S

**United States Patent** [19]  
**Roegner**

[11] **Patent Number: Des. 407,559**

[45] **Date of Patent: \*\*Apr. 6, 1999**

[54] **MULTIPOCKET INSERT FOR CARRYING CASE**

[76] Inventor: **DeAnna Roegner**, 774 Mays Blvd., #10-405, Incline Village, Nev. 89451

[\*\*] Term: **14 Years**

[21] Appl. No.: **84,910**

[22] Filed: **Mar. 12, 1998**

**Related U.S. Application Data**

[62] Division of Ser. No. 671,396, Jun. 26, 1996, abandoned.

[51] **LOC (6) Cl.** ..... **03-01**

[52] **U.S. Cl.** ..... **D3/319; D3/318; D3/284**

[58] **Field of Search** ..... D3/283, 284, 285, D3/318, 319; 190/110, 111, 112, 113, 114, 115; 206/570

[56] **References Cited**

**U.S. PATENT DOCUMENTS**

D. 294,083	2/1988	Collins	.....	D3/284
D. 294,196	2/1988	Bialo	.....	D3/284
D. 300,987	5/1989	Gerch	.....	D3/284
D. 320,308	10/1991	Whitworth	.....	D3/284
D. 379,267	5/1997	Roegner	.....	D3/285
4,582,293	4/1986	Levine et al.	.	
5,052,555	10/1991	Harmon	.....	190/111
5,394,964	3/1995	White	.....	190/109

*Primary Examiner*—Philip S. Hyder  
*Attorney, Agent, or Firm*—Baker & Maxham

[57] **CLAIM**

The ornamental design for a multipocket insert for carrying case, as shown and described.

**DESCRIPTION**

FIG. 1 is a perspective view of a multipocket insert for carrying case, showing my new design;

FIG. 2 is a perspective view of the multipocket insert for carrying case, in a halfway open position;

FIG. 3 is a perspective view of the multipocket insert for carrying case, in a fully open, flat position, wherein the internal flaps are folded to the open position;

FIG. 4 is a front elevation view of the multipocket insert for carrying case, in a fully open, flat position;

FIG. 5 is a front elevation view of the multipocket insert for carrying case, in a fully open, flat position, wherein the internal flap on the upper pocket section is folded open, and the inertal flap on the bottom pocket section is closed;

FIG. 6 is an elevational view of the multipocket insert for carrying case in a folded position, showing the rear of the upper pocket section;

FIG. 7 is a right side view of FIG. 6, the left side being identical;

FIG. 8 is a view like FIG. 6 of the bottom pocket section;

FIG. 9 is a top view of FIG. 6;

FIG. 10 is a bottom view of FIG. 6;

FIG. 11 is a side view of FIG. 6;

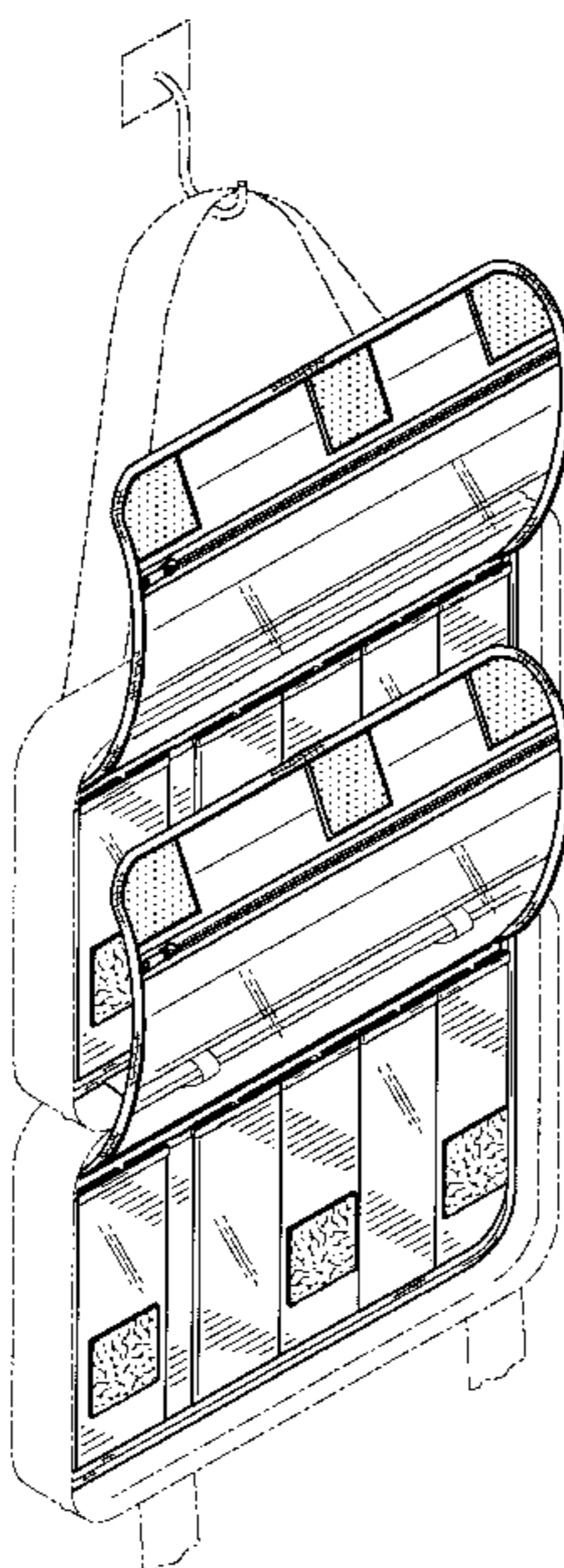
FIG. 12 is a section view taken on 12—12 of FIG. 5 showing loops on the inside flap;

FIG. 13 is a section view taken on 13—13 of FIG. 5 showing the multiple pockets; and,

FIG. 14 is a section view taken on 14—14 of FIG. 5 showing the pockets with the inside flap closed.

The broken line showing of the case in FIGS. 1, 2, and 3 is for illustrative purposes only and forms no part of the claimed design.

**1 Claim, 7 Drawing Sheets**



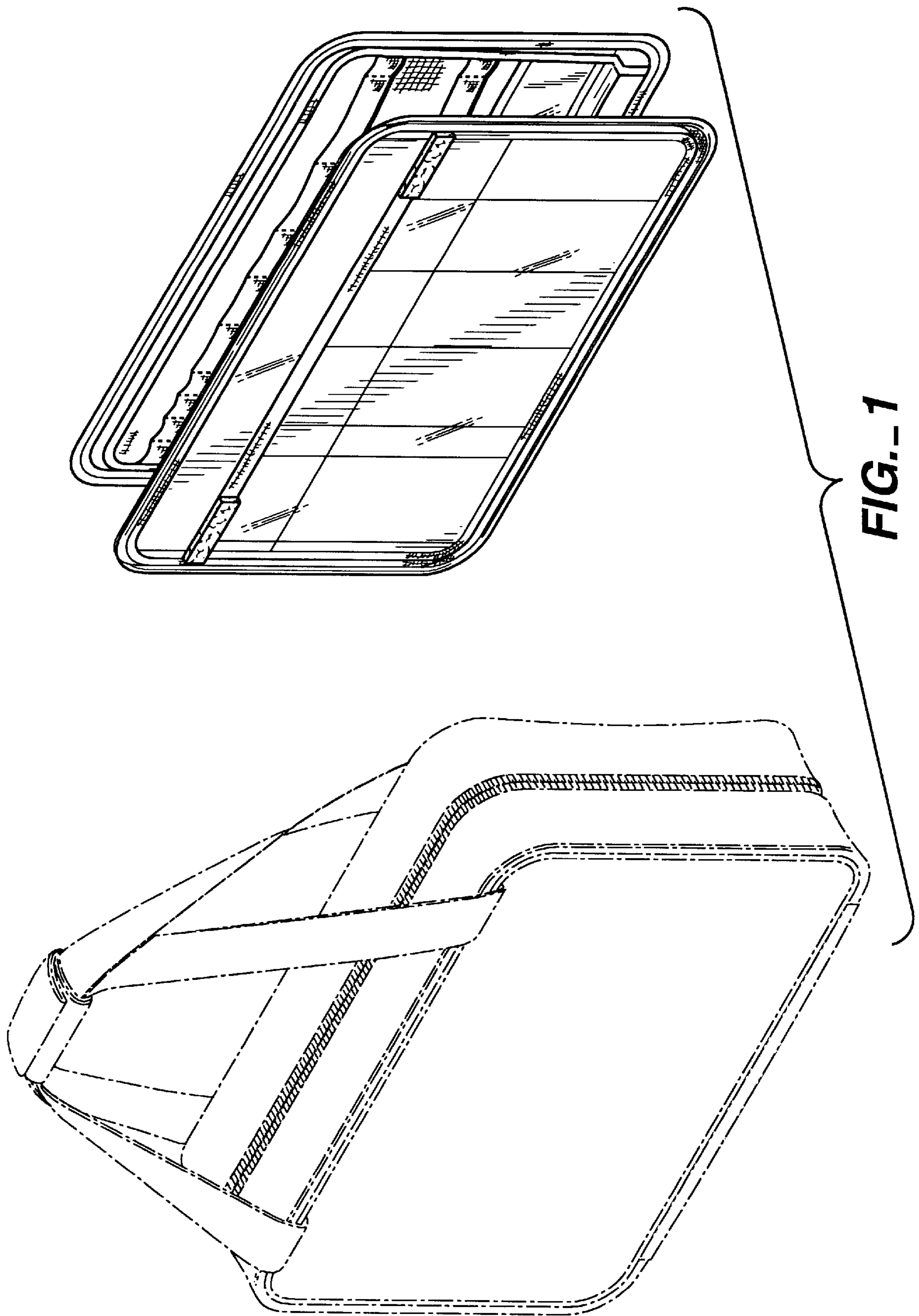
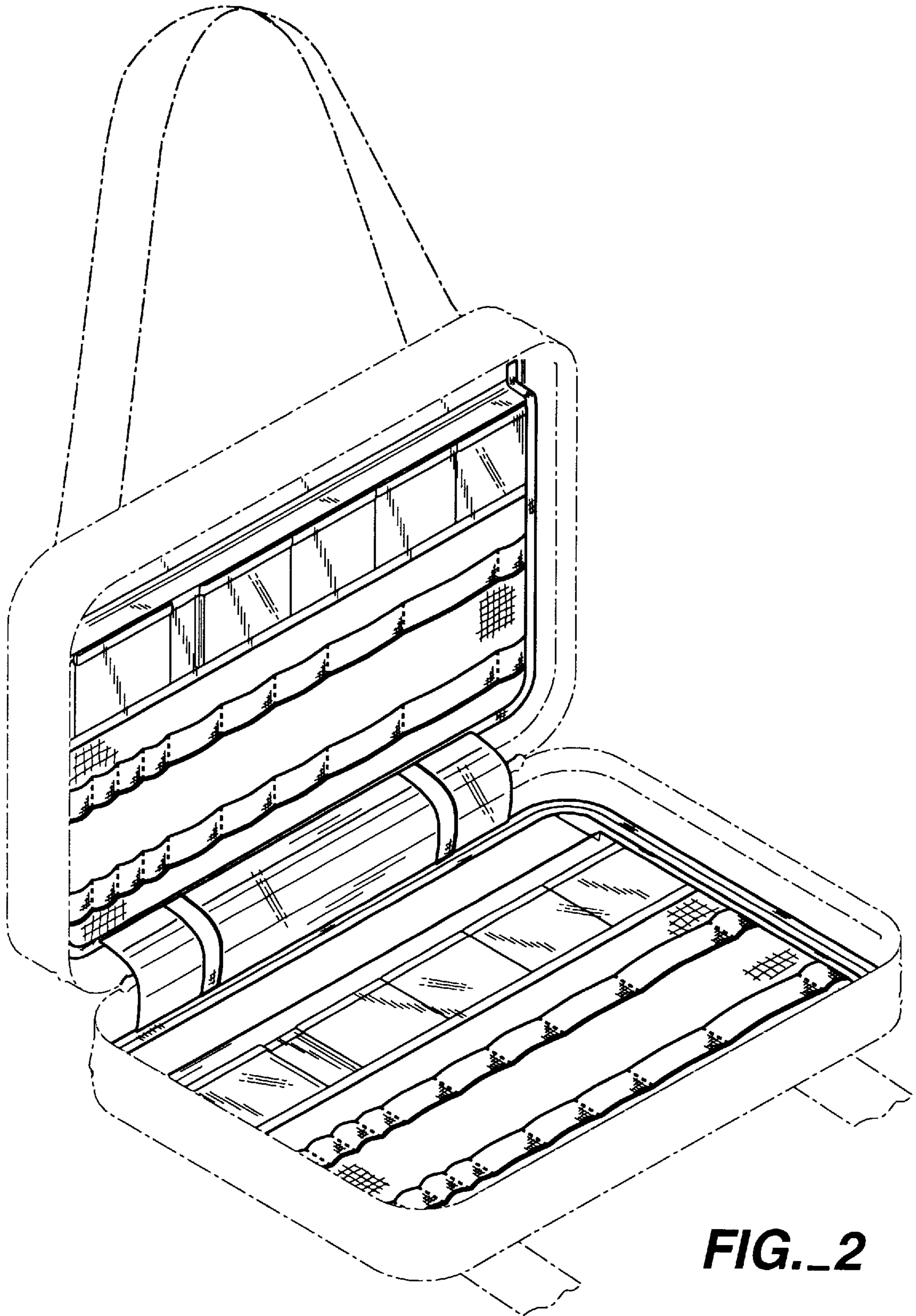
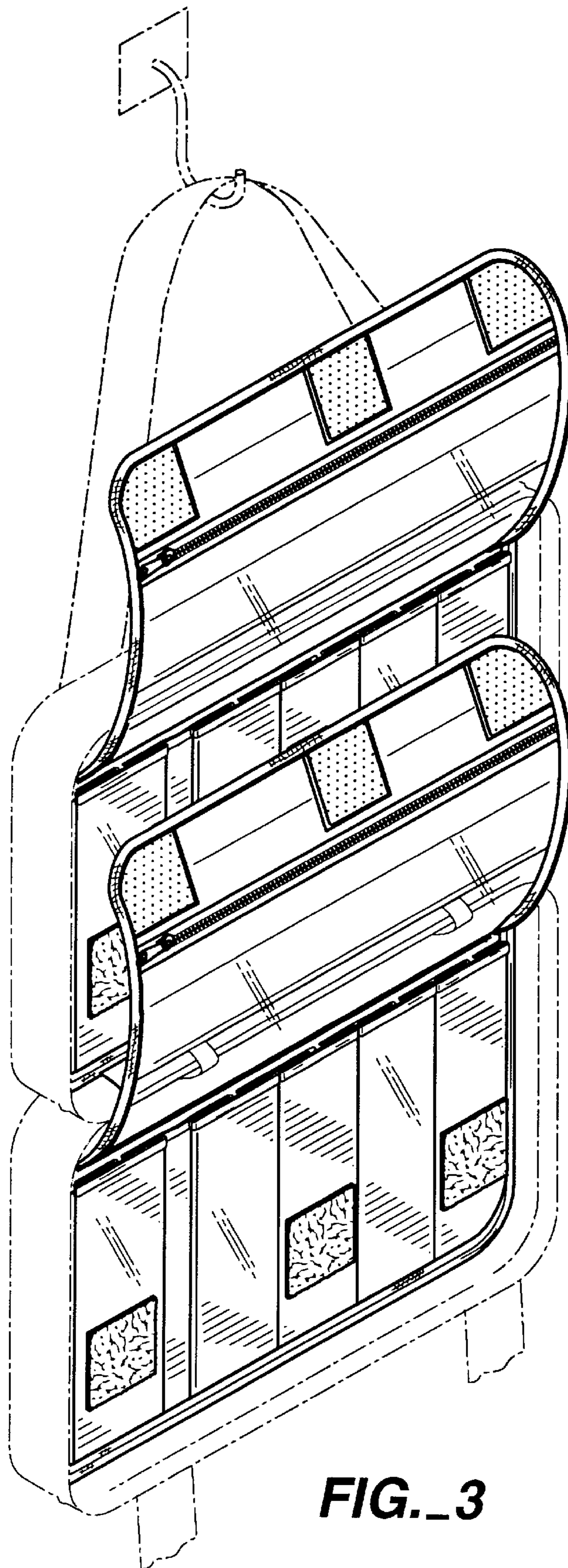


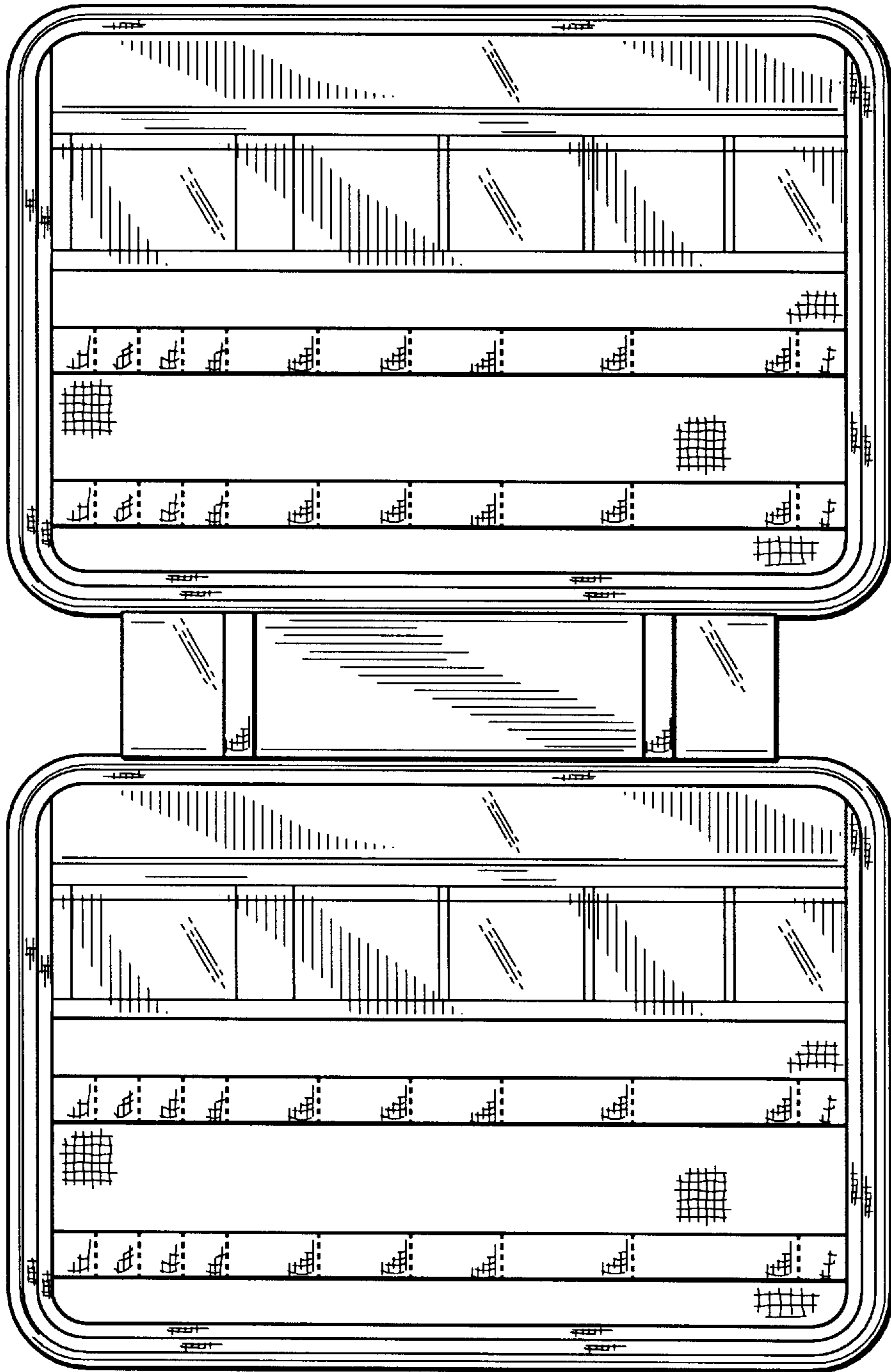
FIG.-1



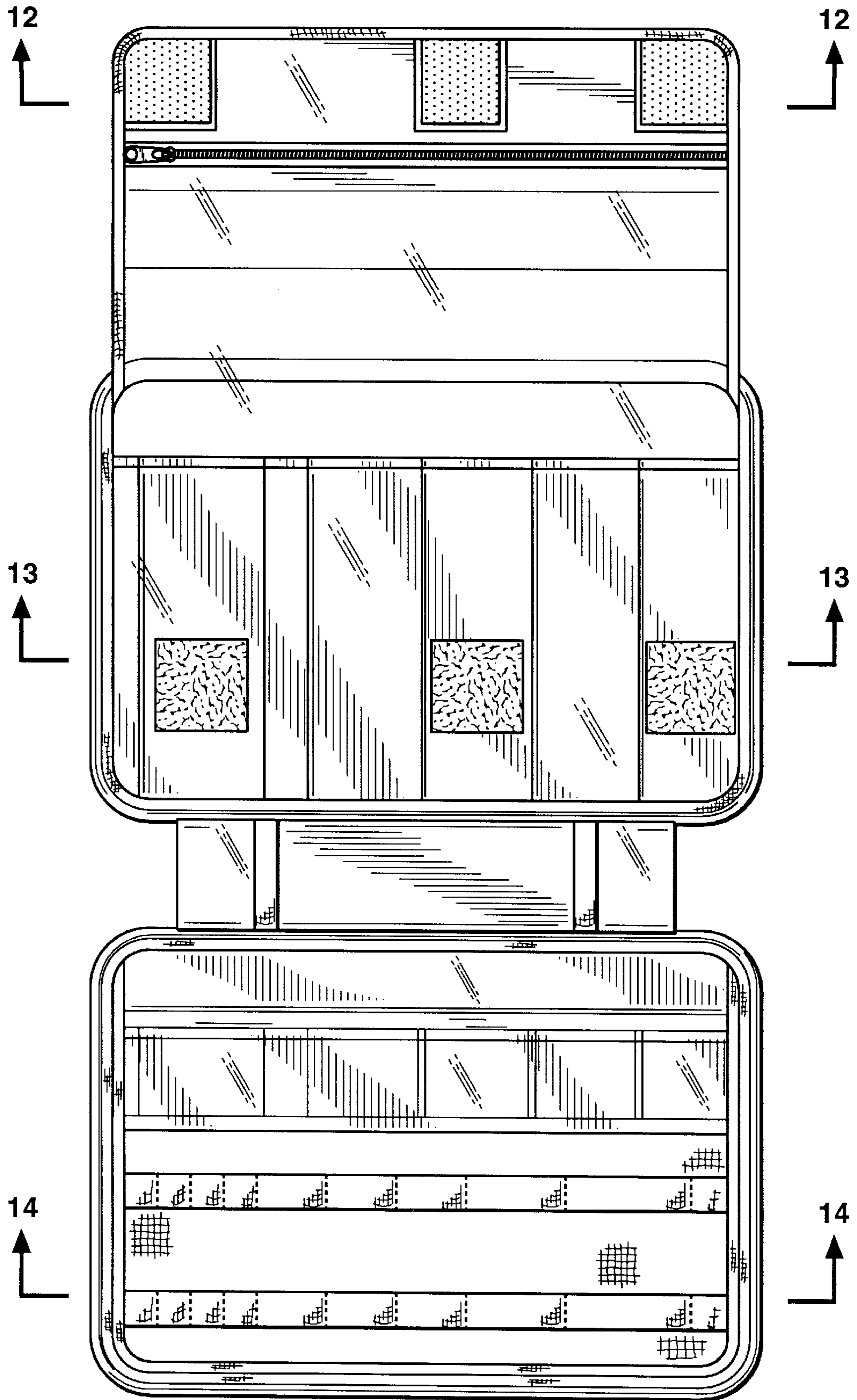
**FIG. 2**



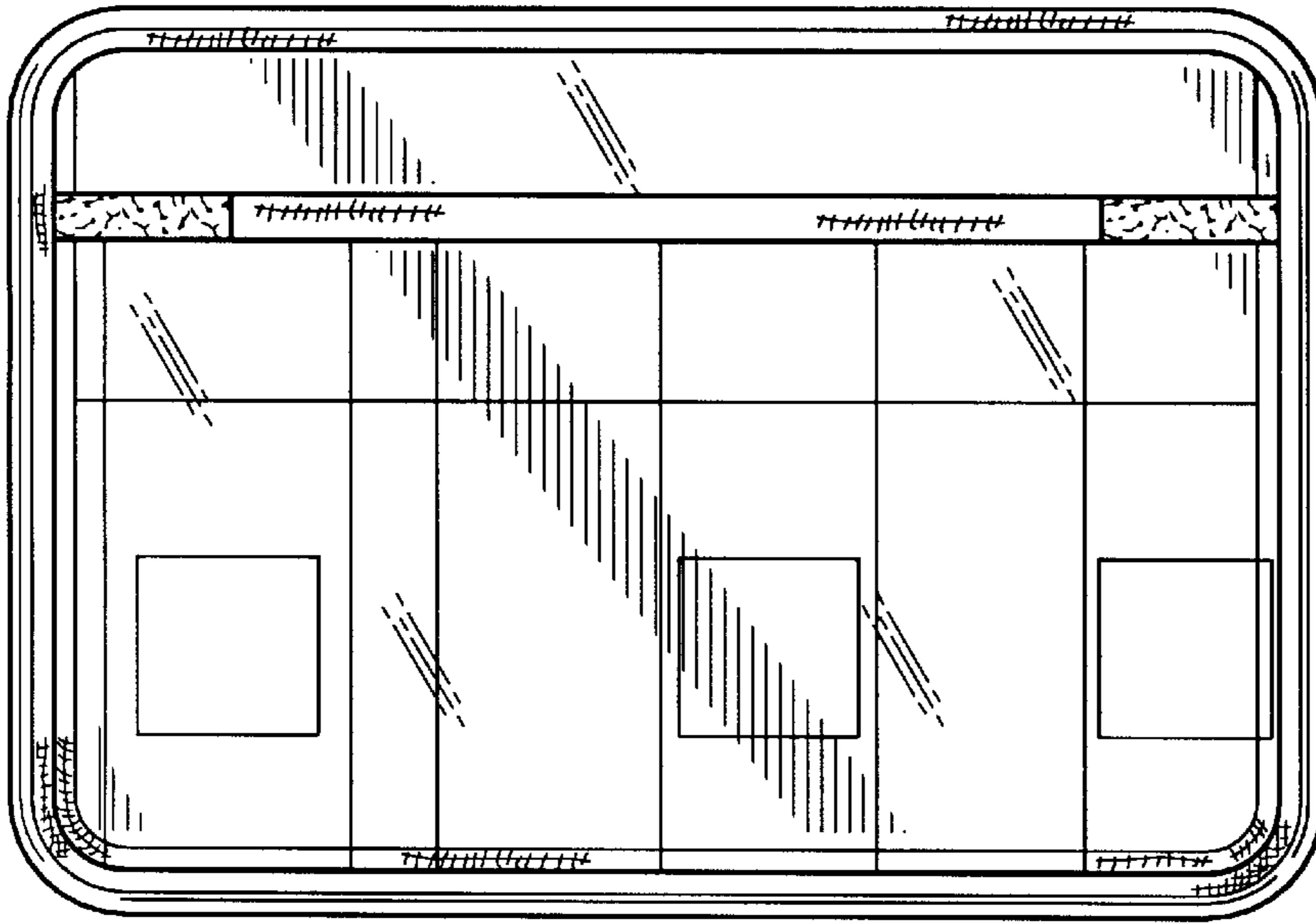
**FIG. 3**



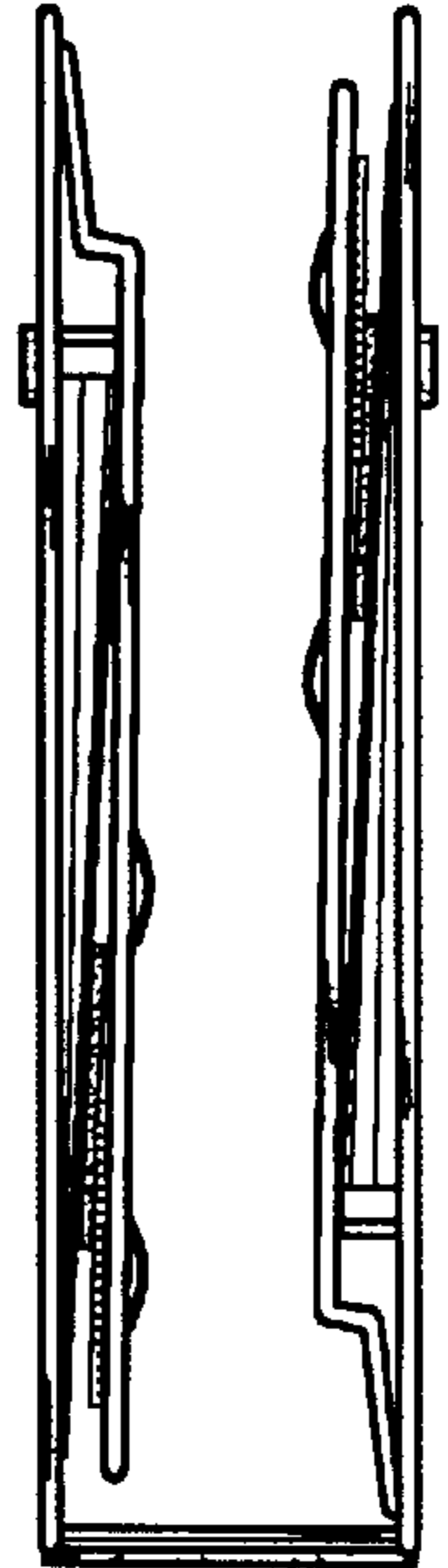
**FIG. 4**



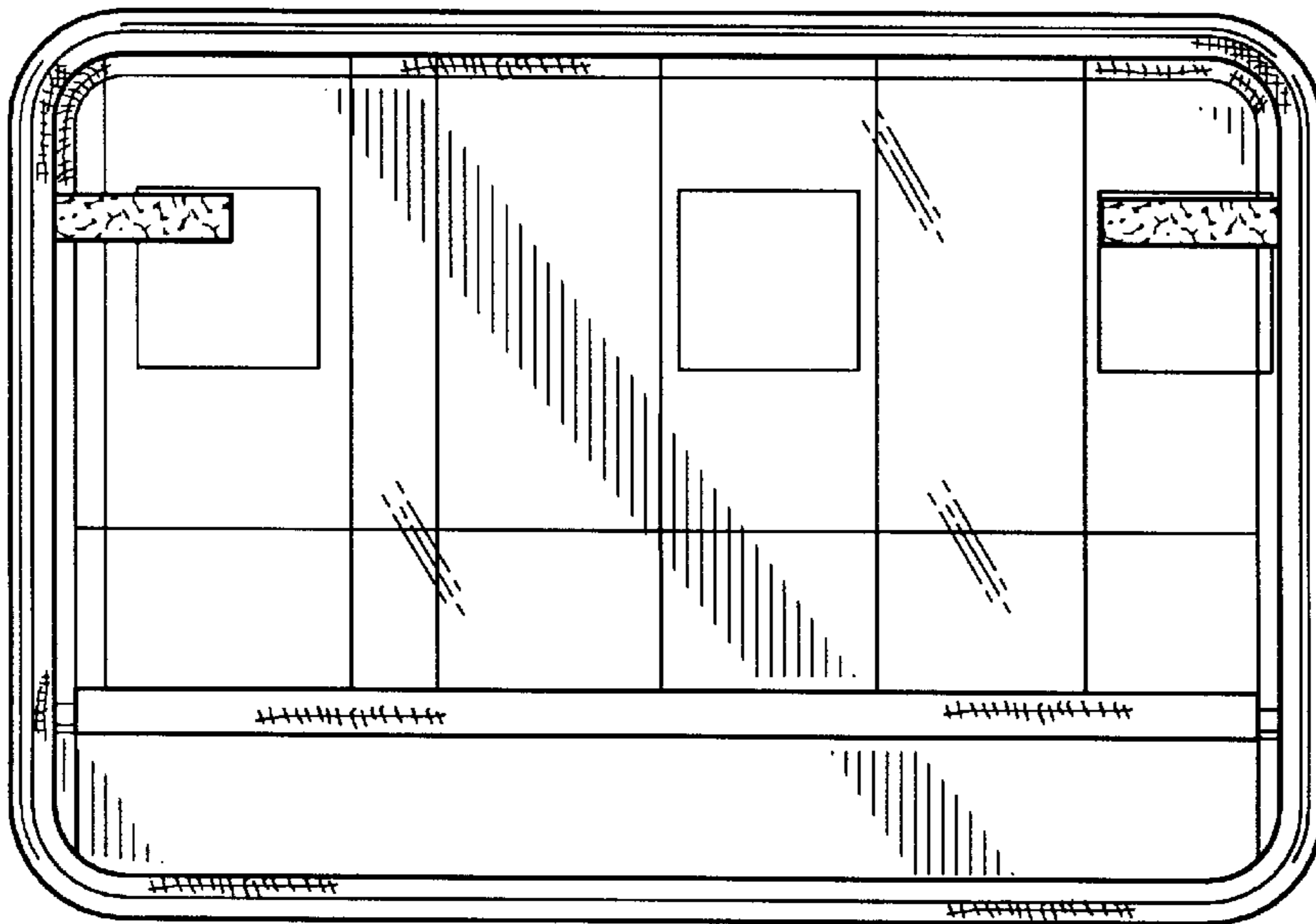
**FIG. 5**



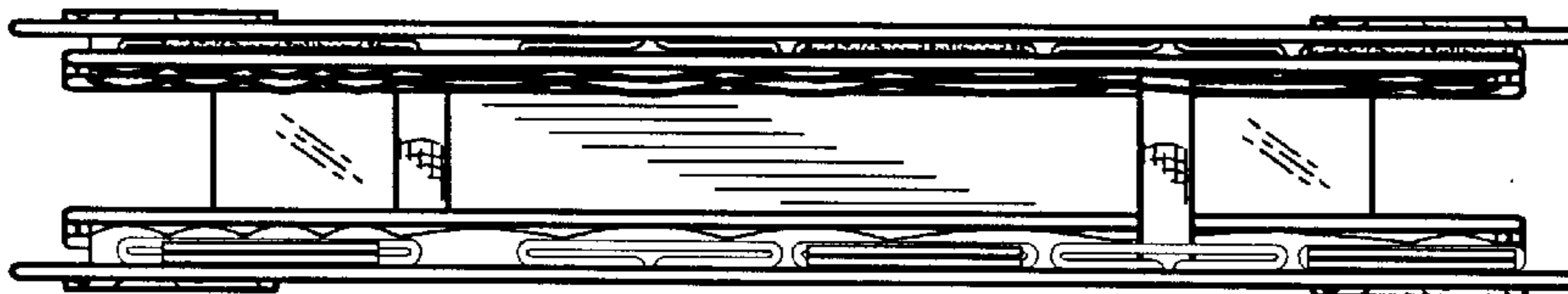
**FIG.\_6**



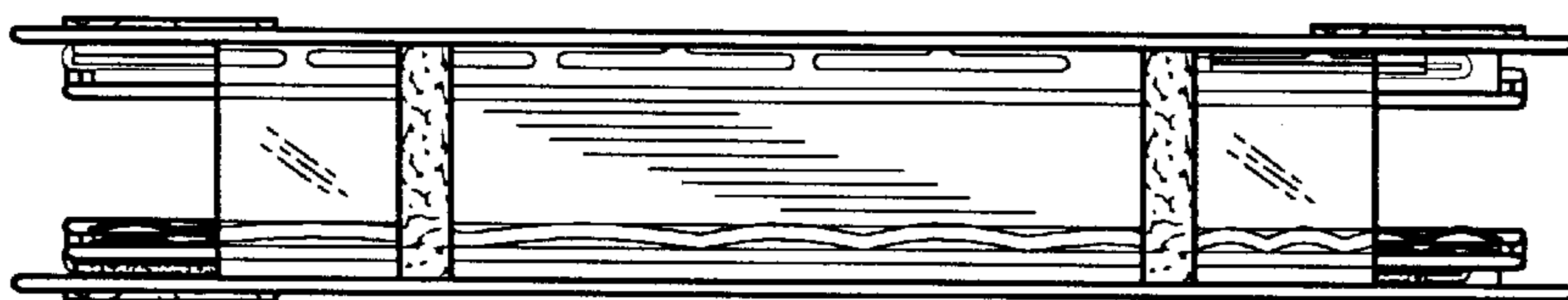
**FIG.\_7**



**FIG.\_8**



**FIG.\_9**



**FIG.\_10**

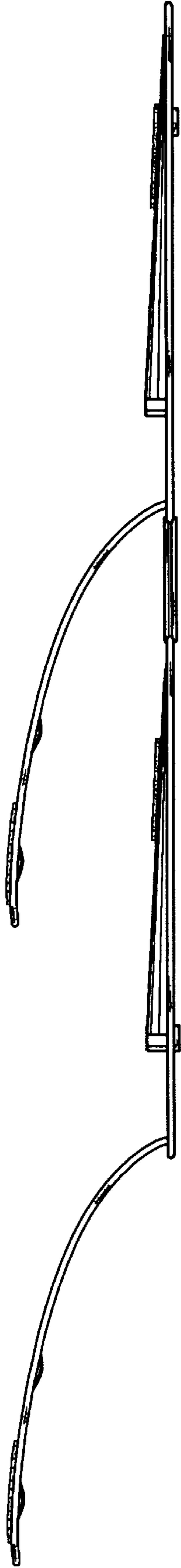


FIG. 11



FIG. 12



FIG. 13



FIG. 14