



US00D407554S

United States Patent [19] Resch

[11] **Patent Number: Des. 407,554**

[45] **Date of Patent: **Apr. 6, 1999**

[54] **SHOE LACE**

[75] Inventor: **John J. Resch**, Schereville, Ind.

[73] Assignee: **Nobbits, Inc.**, Rockford, Ill.

[**] Term: **14 Years**

[21] Appl. No.: **79,565**

[22] Filed: **Nov. 14, 1997**

[51] **LOC (6) Cl. 02-99**

[52] **U.S. Cl. D2/978**

[58] **Field of Search D2/978; 24/713**

[56] **References Cited**

U.S. PATENT DOCUMENTS

D. 130,512	11/1941	Anderson, Jr.	D2/978
1,804,211	5/1931	Daniels et al. .	
2,141,801	12/1938	Taft .	
2,306,515	12/1942	Wright .	
2,477,151	7/1949	Stapleton .	
2,639,481	5/1953	Lester .	
3,059,518	10/1962	Nelson .	
3,518,730	7/1970	Cupler, II .	
3,922,455	11/1975	Brumlik .	
4,247,967	2/1981	Swinton .	
5,613,283	3/1997	Yusfan	24/713

FOREIGN PATENT DOCUMENTS

557418 8/1932 Germany .

OTHER PUBLICATIONS

U.S. Trademark Registration No. 2,048,460, registered Mar. 25, 1997 for a shoe product configuration owned by Nobbits Inc. (previously PDA Incorporated).

U.S. Trademark Registration No. 2,048,462, registered Mar. 25, 1997 for a shoe lace product configuration owned by Nobbits Inc. (previously PDA Incorporated).

Primary Examiner—Dominic Simone

Attorney, Agent, or Firm—Leydig, Voit & Mayer, Ltd.

[57] **CLAIM**

The ornamental design for a shoe lace, as shown and described.

DESCRIPTION

FIG. 1 is a perspective view of a shoe lace showing my new design;

FIG. 2 is a top plan view thereof;

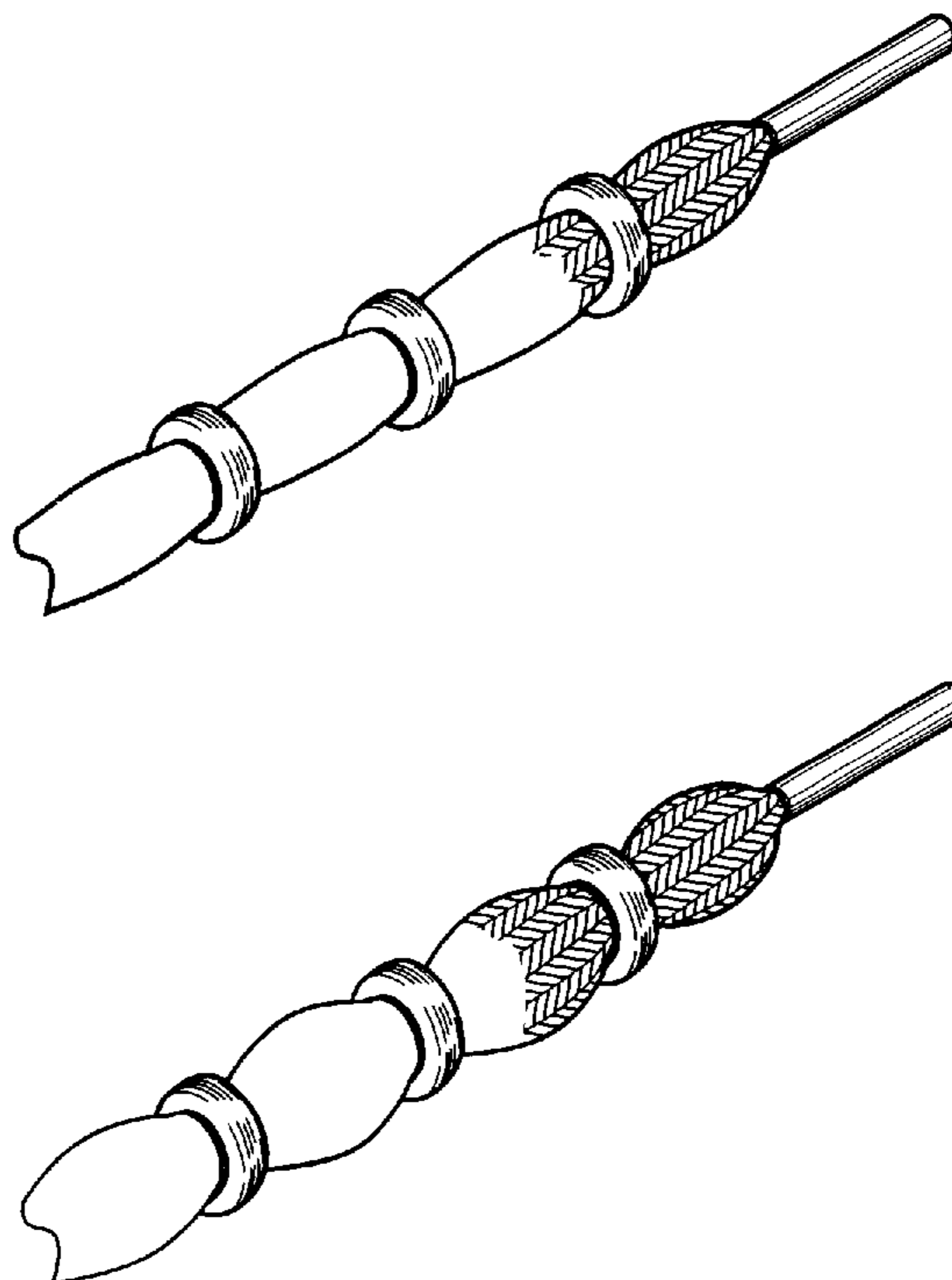
FIG. 3 is an end view thereof;

FIG. 4 is a perspective view of a second embodiment FIG. 1;

FIG. 5 is a top plan view thereof; and,

FIG. 6 is an end view thereof.

1 Claim, 1 Drawing Sheet



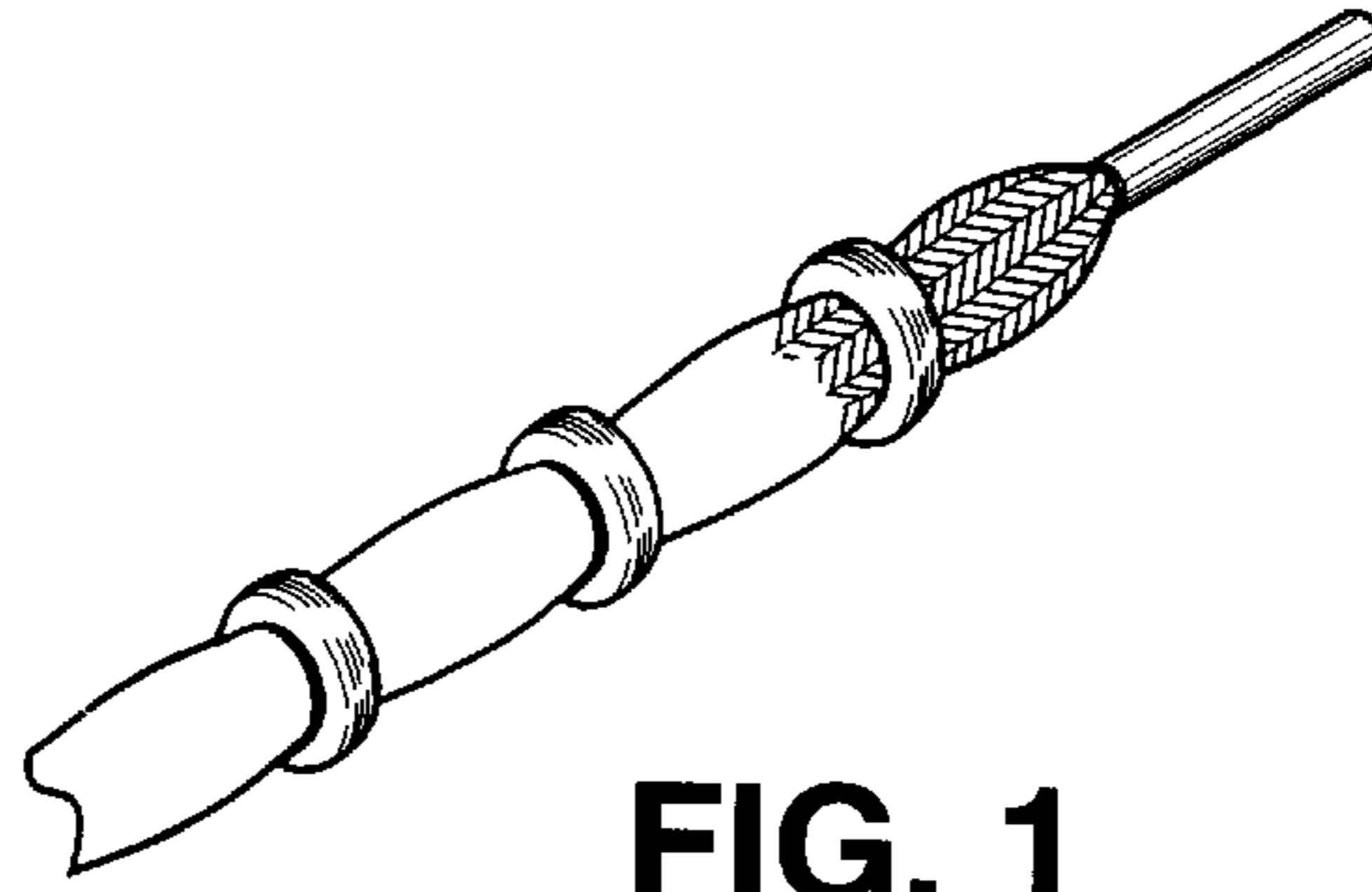


FIG. 1



FIG. 2



FIG. 3

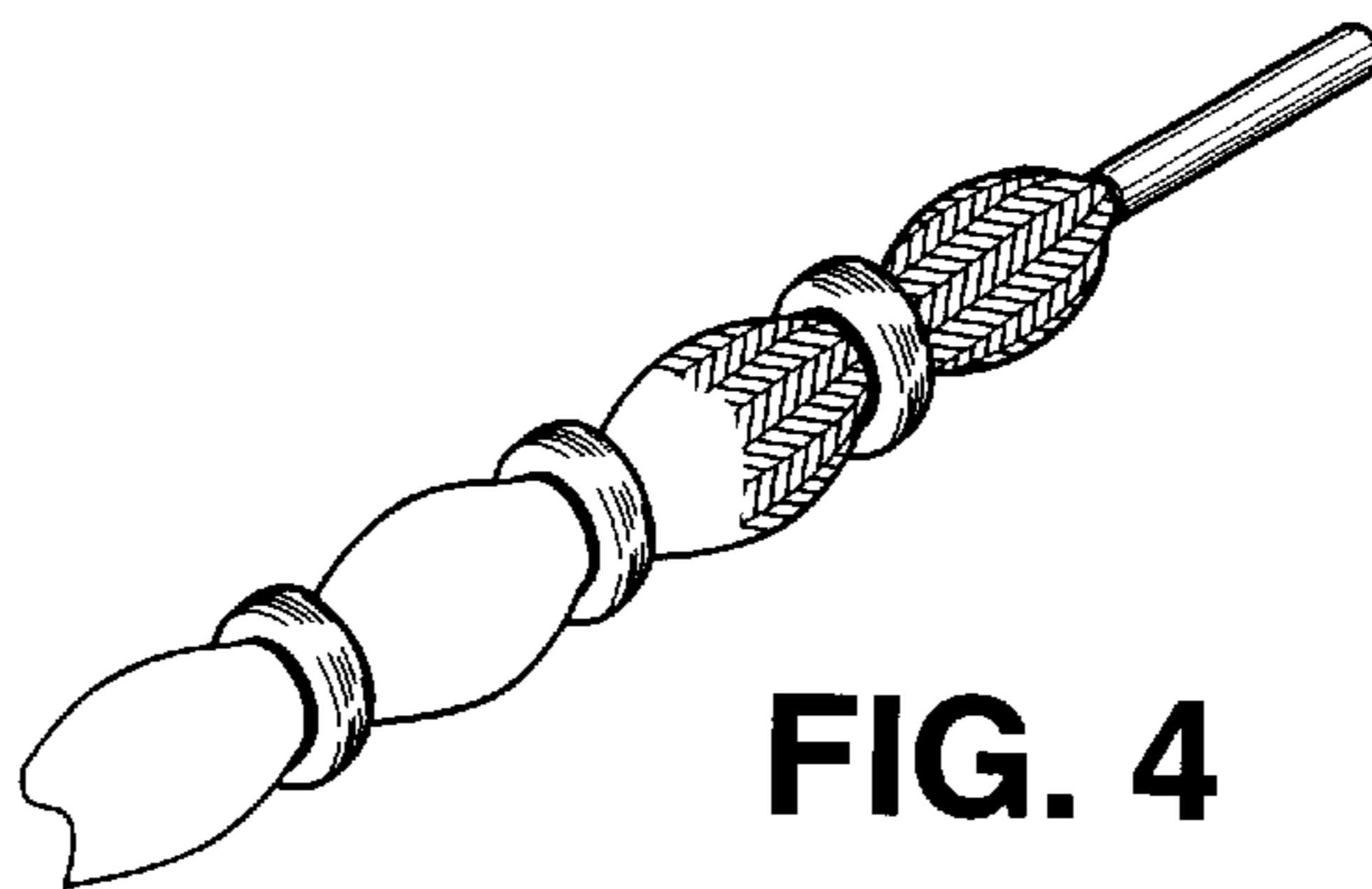


FIG. 4



FIG. 5



FIG. 6