



US00D407536S

United States Patent [19] Segal

[11] Patent Number: **Des. 407,536**

[45] Date of Patent: ****Apr. 6, 1999**

[54] **HAT**
[76] Inventor: **Richard Paul Segal**, 3624 Warmbreeze Way, Las Vegas, Nev. 89129-6841

[**] Term: **14 Years**

[21] Appl. No.: **83,306**

[22] Filed: **Jan. 30, 1998**

[51] **LOC (6) Cl.** **02-03**

[52] **U.S. Cl.** **D2/869**

[58] **Field of Search** D2/865, 866, 869, D2/870, 871, 873, 872; 2/171.1, 181, 183, 195.1, 195.8, 200.3, 209.13; D21/548, 549; 446/446

[56] **References Cited**

U.S. PATENT DOCUMENTS

D. 282,980	3/1986	Hayton	D2/872
D. 319,853	9/1991	Southgate	D21/549
D. 362,743	10/1995	Martin	D2/872
D. 368,354	4/1996	Edwards, Jr.	D2/871
D. 393,536	4/1998	Buffer et al.	D2/869

3,304,652	2/1967	Donofrio	446/446
3,537,210	11/1970	Ieda	446/446
4,991,235	2/1991	Warner	2/195.8

Primary Examiner—Paula A. Mortimer
Attorney, Agent, or Firm—Kenehan Lambertsen & Stein; John C. Lambertsen

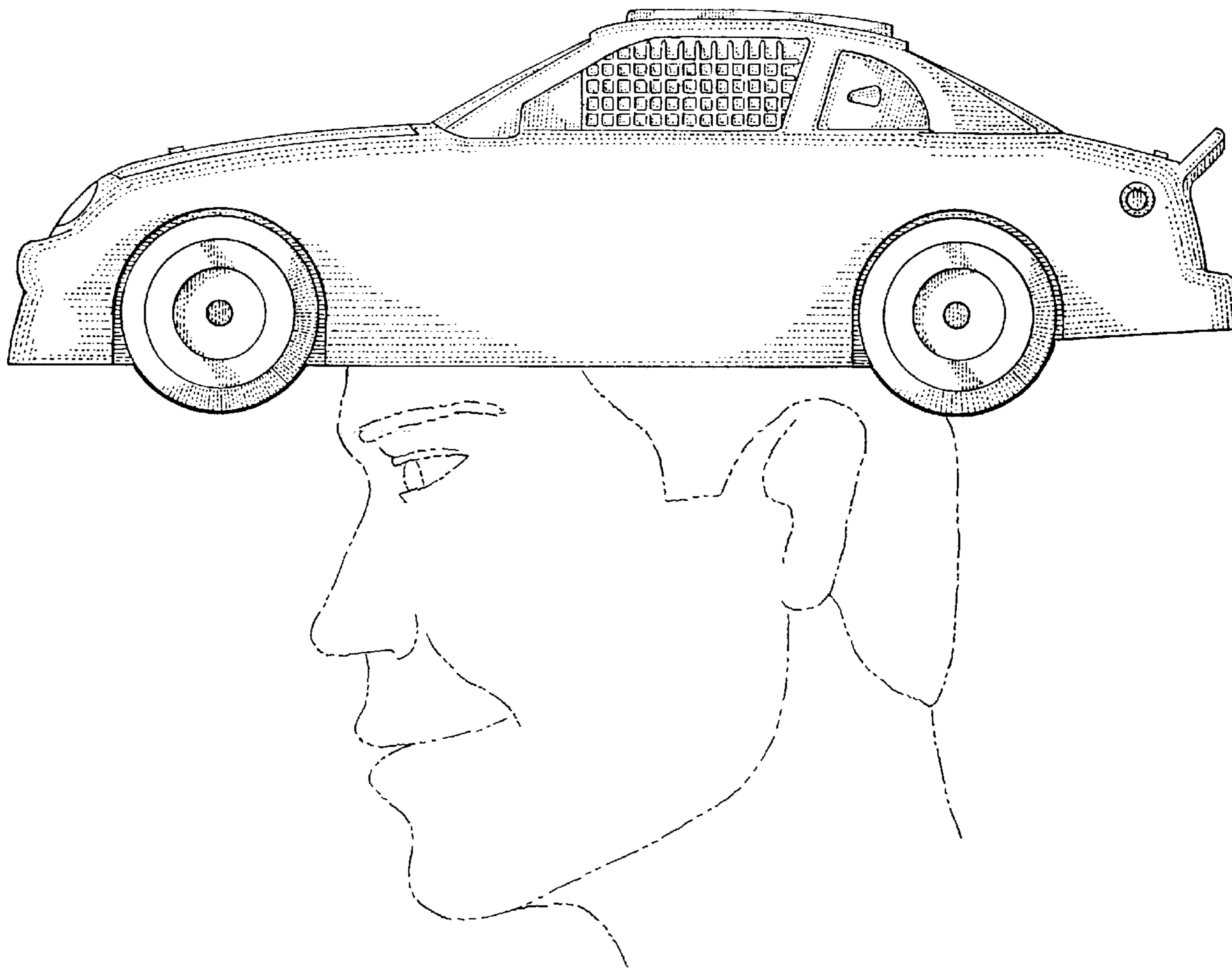
[57] **CLAIM**

The ornamental design for a hat, as shown and described.

DESCRIPTION

FIG. 1 is a side elevation view of a hat showing my new design;
FIG. 2 is a top plan view thereof;
FIG. 3 is a front elevation view thereof;
FIG. 4 is a side elevation view showing a second side thereof;
FIG. 5 is a bottom plan view thereof;
FIG. 6 is a back plan view thereof; and,
FIG. 7 is a side elevation view of FIG. 1, the broken line showing of the human form is for illustrative purposes only and forms no part of the claimed design.

1 Claim, 3 Drawing Sheets



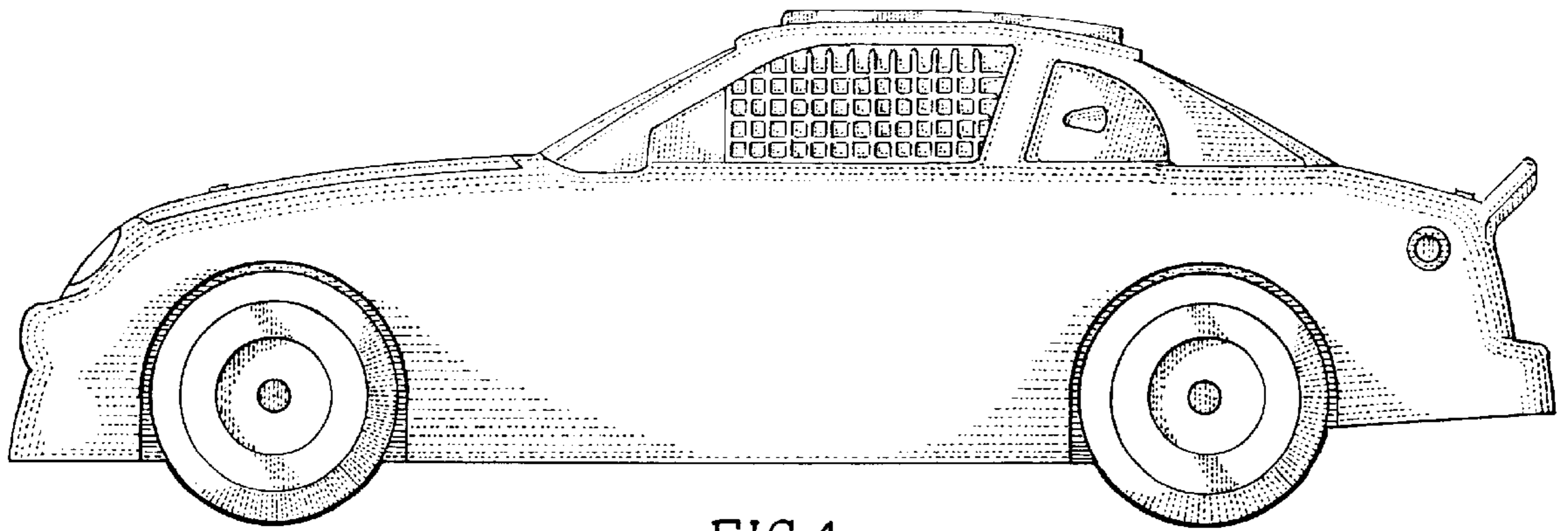


FIG. 1.

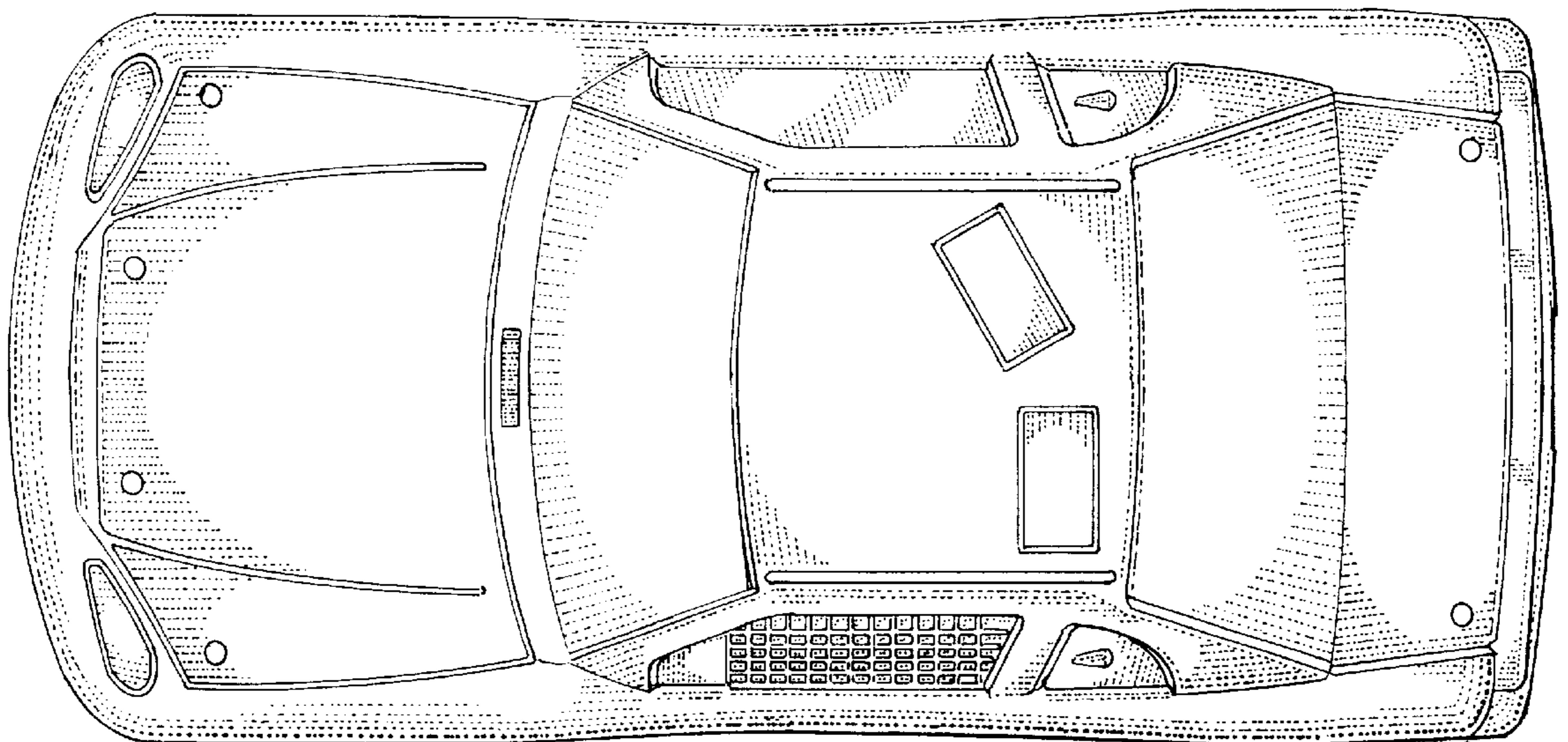


FIG. 2.

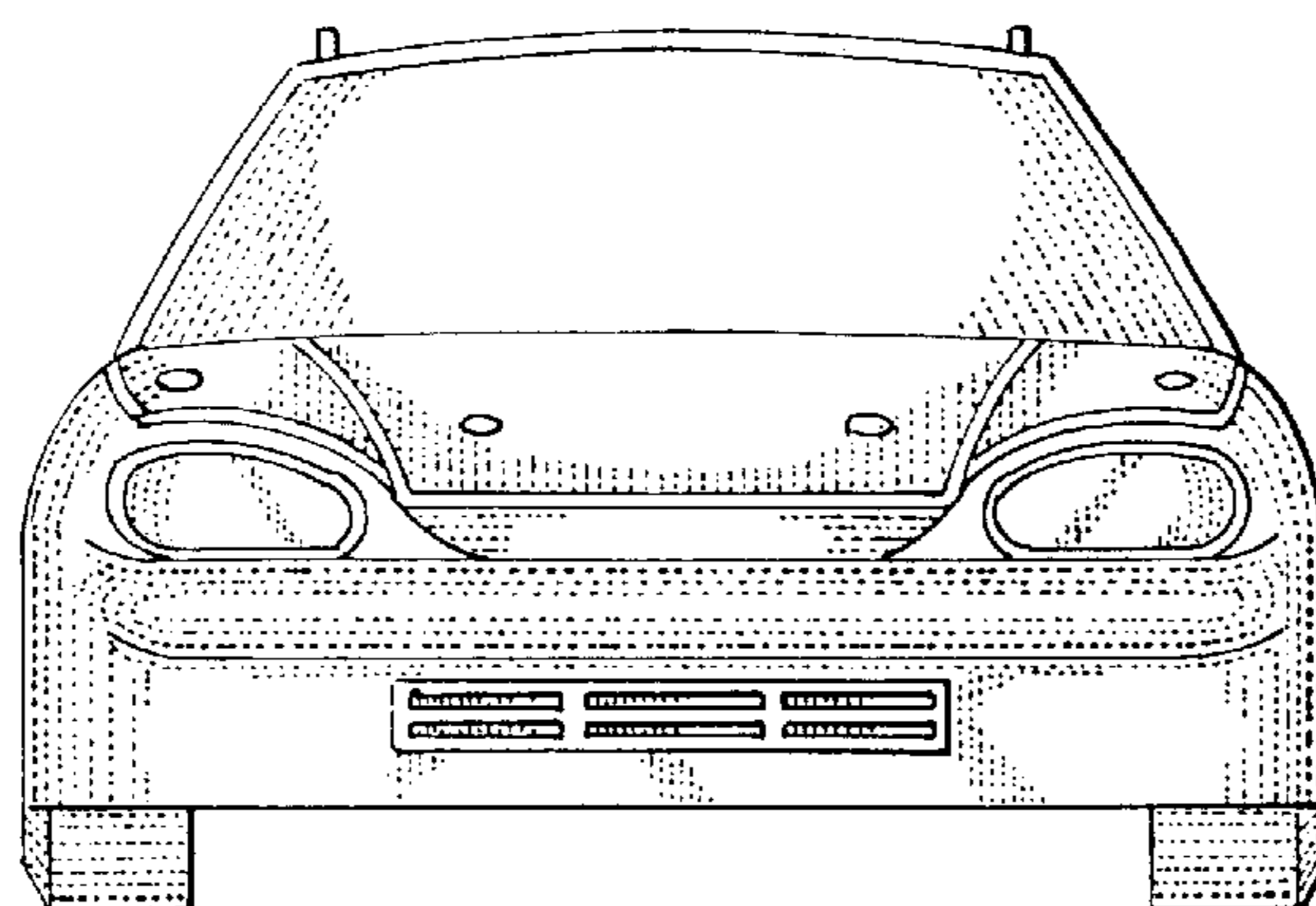


FIG. 3.

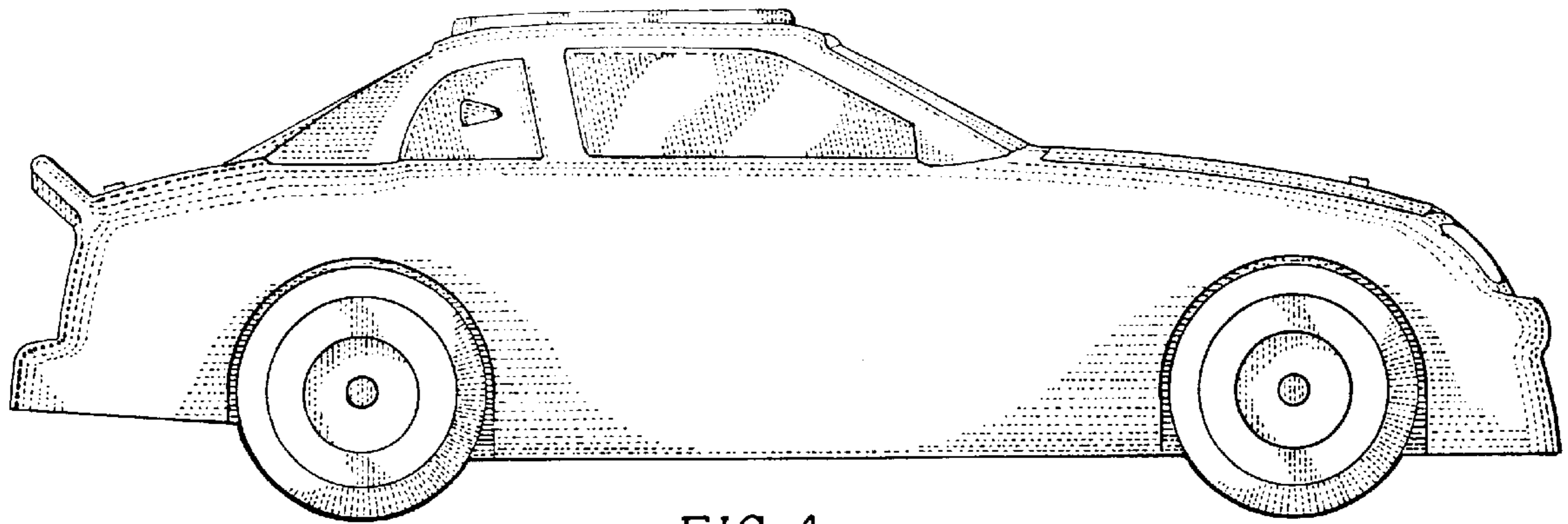


FIG. 4.

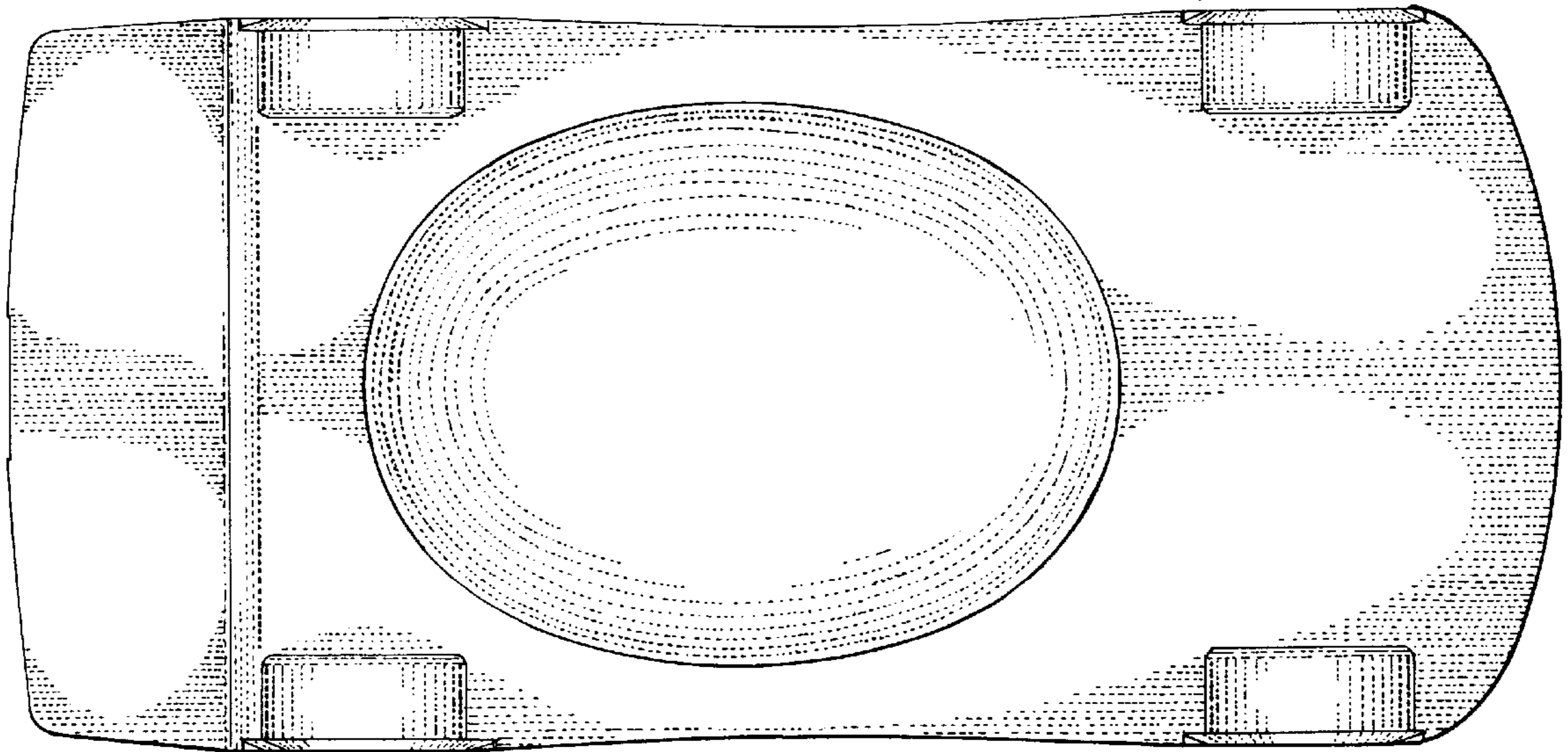


FIG. 5.

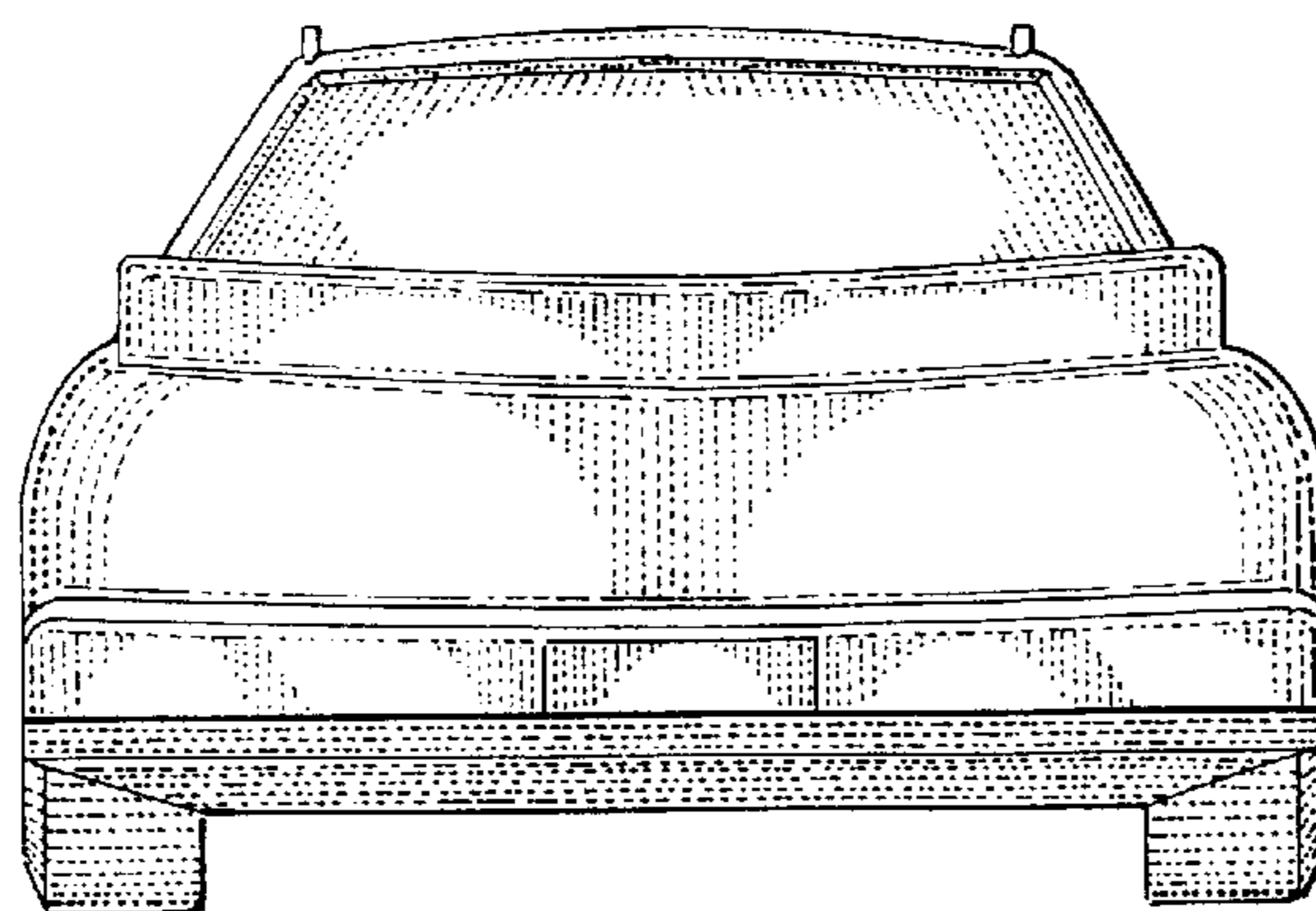


FIG. 6.

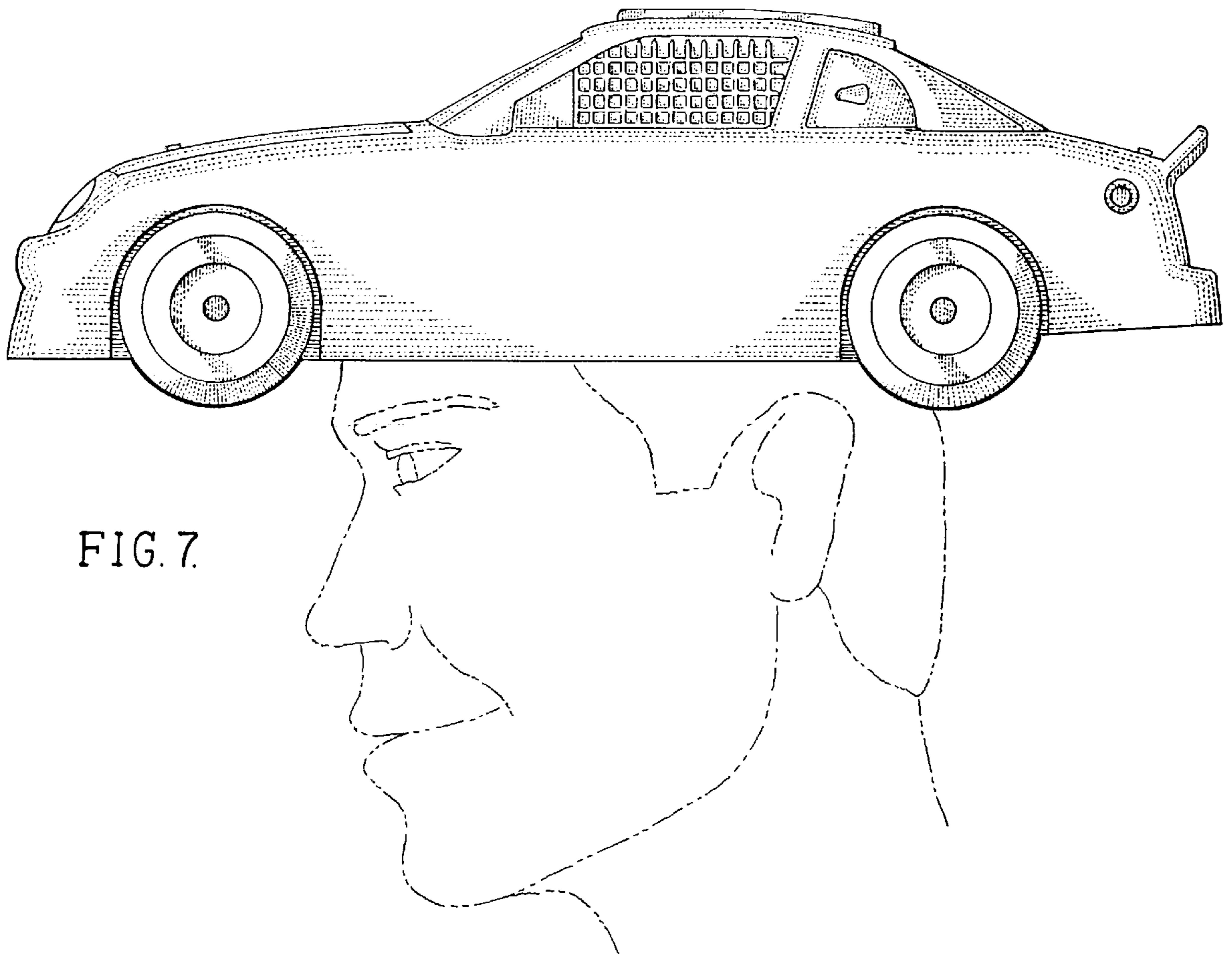


FIG. 7