



US00D407534S

# United States Patent [19]

[11] Patent Number: **Des. 407,534**

Howard et al.

[45] Date of Patent: **\*\*Mar. 30, 1999**

[54] **WASTEBASKET**

[75] Inventors: **Susan E. Howard**, Richmond; **Daniel E. Sabourin**, Port Coquitlam, both of Canada

[73] Assignee: **JRS Amenities Ltd.**, Richmond, Canada

[\*\*] Term: **14 Years**

[21] Appl. No.: **80,835**

[22] Filed: **Dec. 17, 1997**

[51] **LOC (6) Cl.** ..... **09-09**

[52] **U.S. Cl.** ..... **D34/1; D3/311**

[58] **Field of Search** ..... **D34/1, 5-7, 9, D34/10; D9/341, 347, 431; D3/313, 311; 220/908, 909, 500**

D. 345,239	3/1994	Cooper .	
D. 347,923	6/1994	Martin et al. .	
3,720,346	3/1973	Cypher .	
4,834,253	5/1989	Crine .	
4,874,111	10/1989	Heller .	
4,913,308	4/1990	Culbertson .	
4,991,737	2/1991	Edelman .	
5,085,342	2/1992	Strawder .	
5,242,071	9/1993	Goebel .....	220/23.8
5,366,189	11/1994	Thompson .	

*Primary Examiner*—Alan P. Douglas  
*Assistant Examiner*—Robin V. Taylor  
*Attorney, Agent, or Firm*—Oyen Wiggs Green & Mutala

### [57] CLAIM

The ornamental design for a wastebasket, as shown and described.

### DESCRIPTION

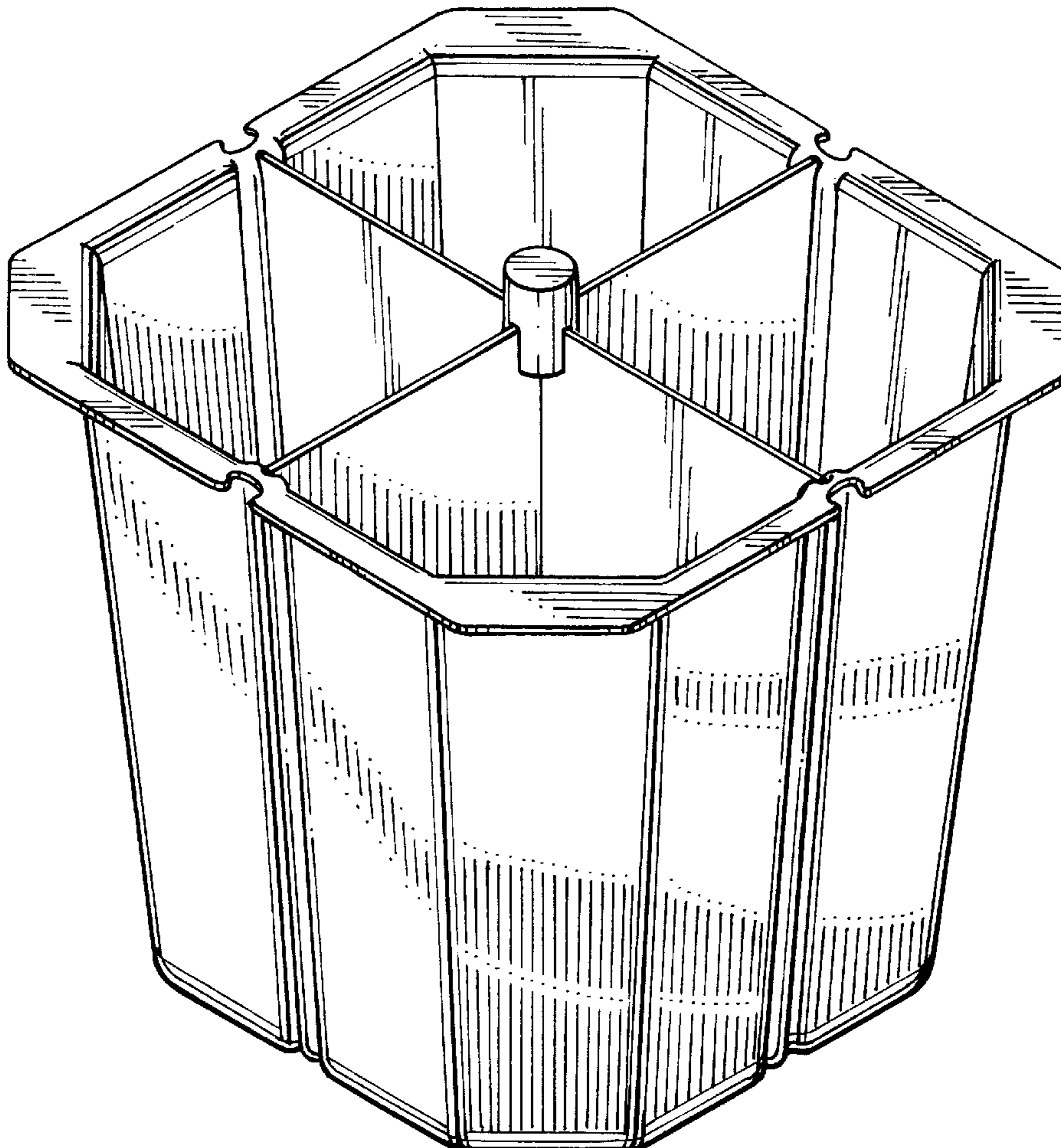
FIG. 1 is perspective view of the wastebasket;  
FIG. 2 is a top plan view thereof;  
FIG. 3 is a front elevation view thereof, the back elevation, left side elevation and right side elevation view being identical thereto; and,  
FIG. 4 is a bottom plan view thereof.

### [56] References Cited

#### U.S. PATENT DOCUMENTS

D. 319,519	8/1991	Keir .....	D34/7
D. 332,676	1/1993	Benson .....	D34/1
D. 335,730	5/1993	Tessner .....	D34/7
D. 340,333	10/1993	Duran et al. ....	D34/1

**1 Claim, 3 Drawing Sheets**



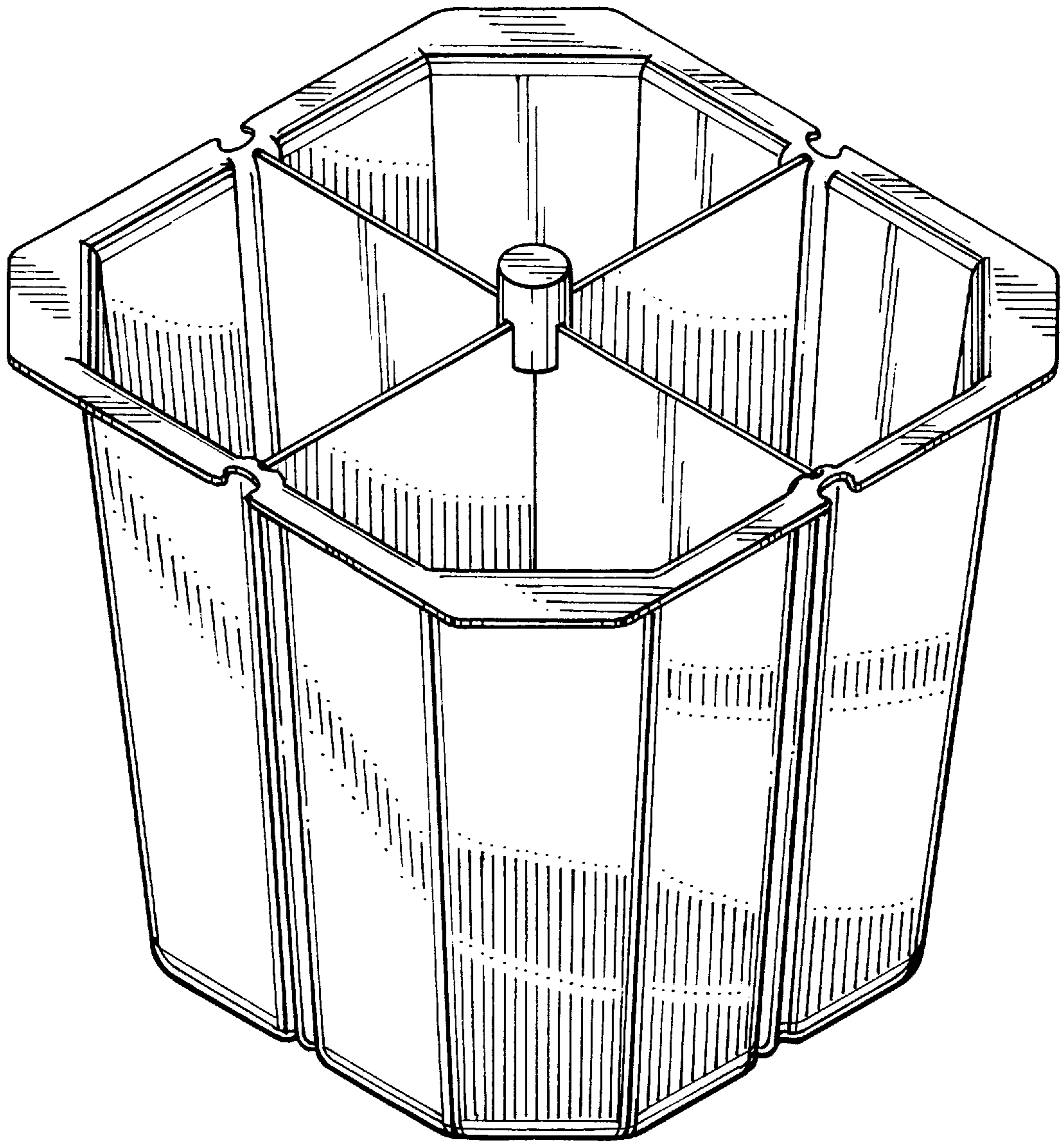


FIG. 1

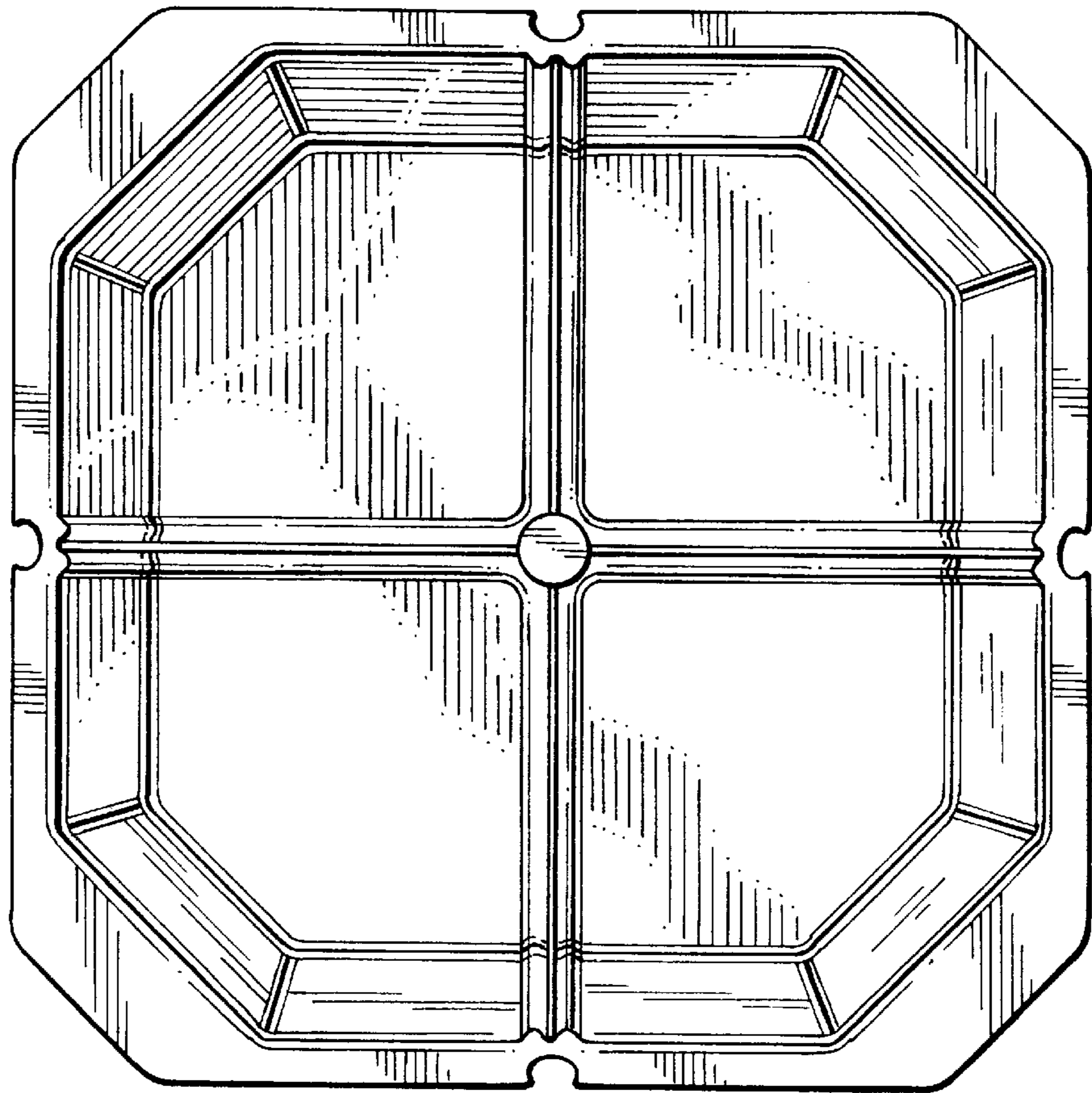


FIG. 2

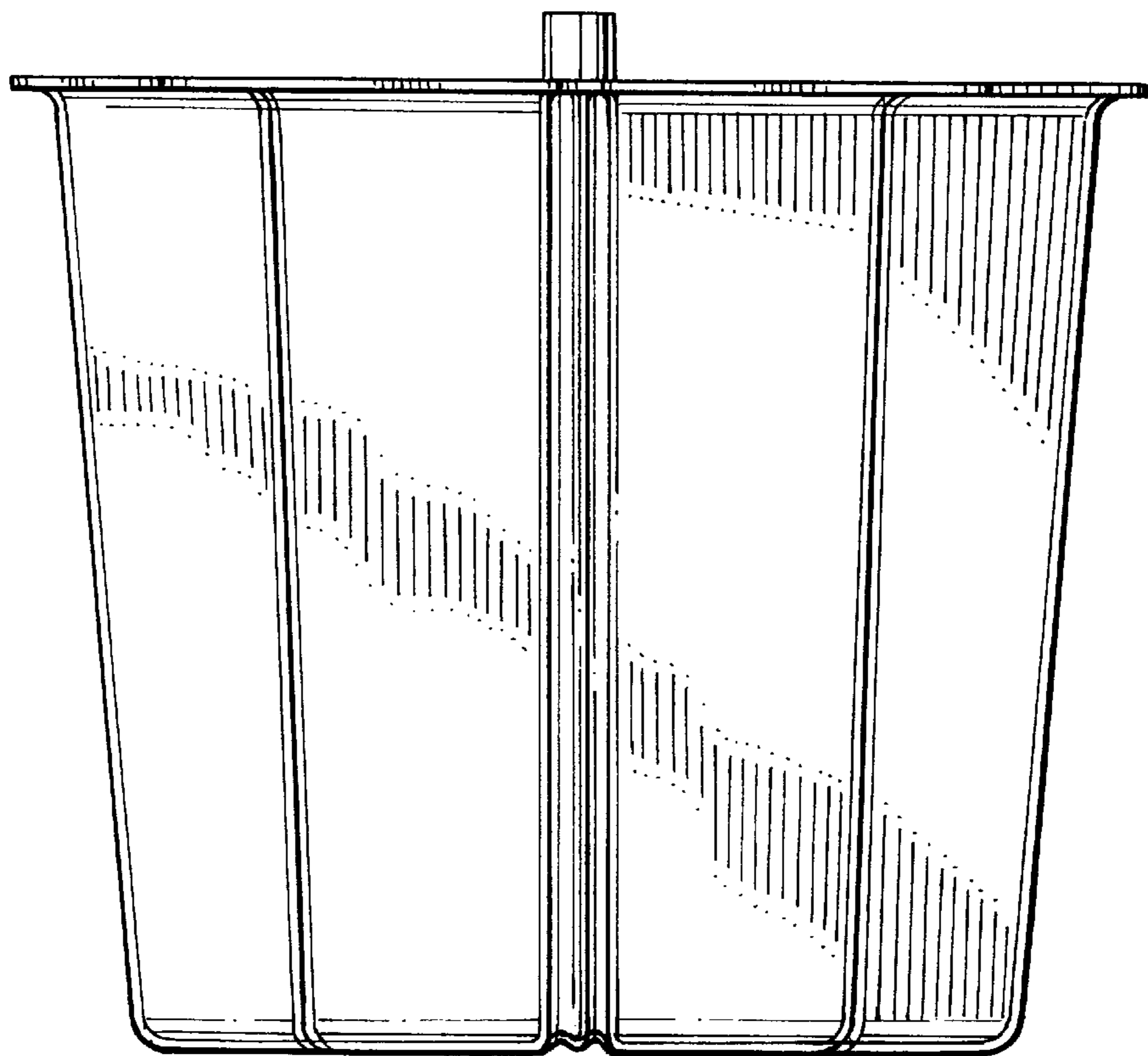


FIG. 3

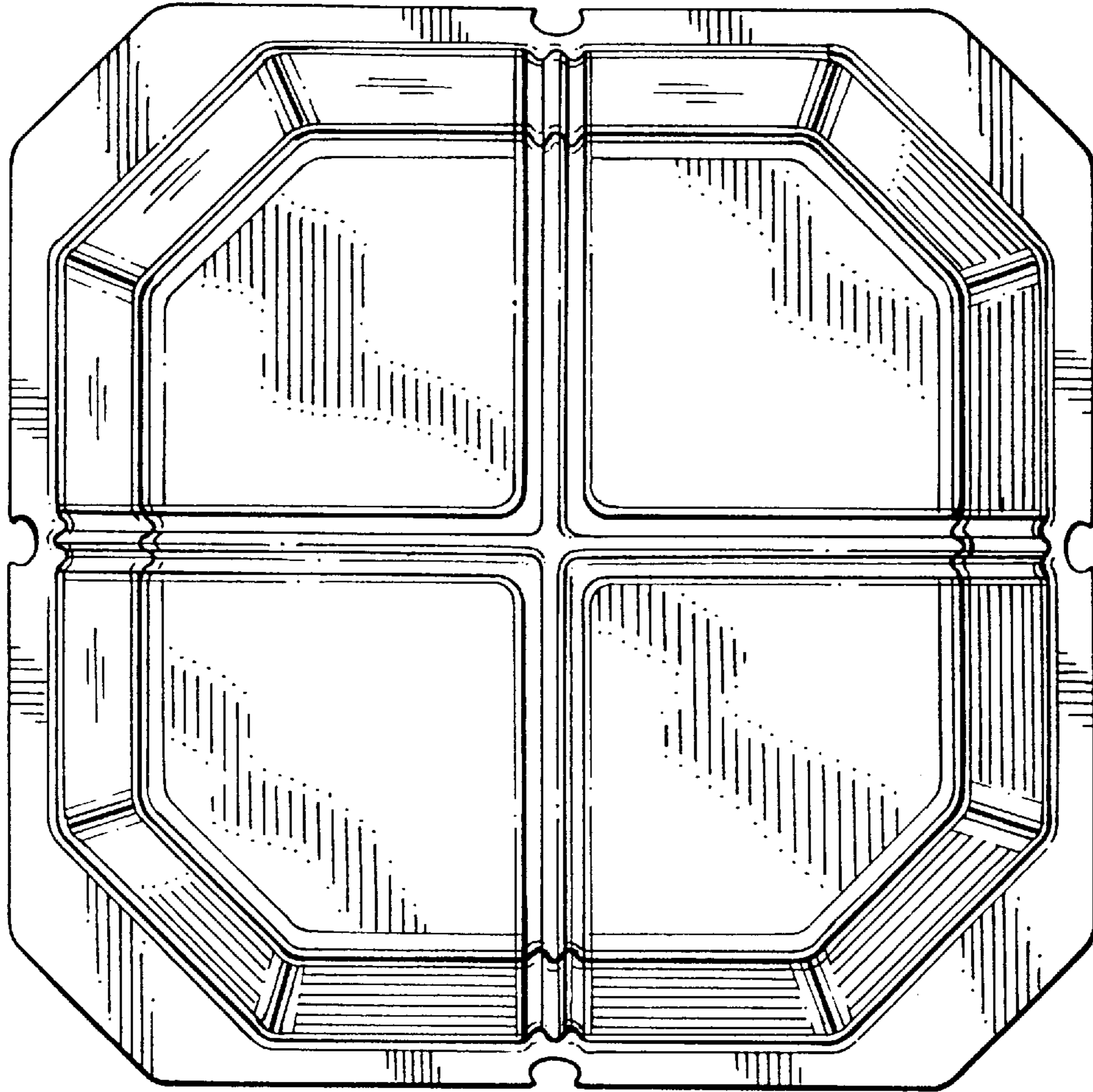


FIG. 4