

US00D407533S

United States Patent [19]

Watanabe et al.

[11] Patent Number: **Des. 407,533**

[45] Date of Patent: ****Mar. 30, 1999**

[54] **MAIN BODY FOR AN ELECTRIC FINGERNAIL POLISHER**

[75] Inventors: **Aya Watanabe; Shinji Yamamoto,**
both of Yokohama, Japan

[73] Assignee: **Matsushita Electric Works, Ltd.,**
Osaka, Japan

[**] Term: **14 Years**

[21] Appl. No.: **83,234**

[22] Filed: **Feb. 6, 1998**

[30] **Foreign Application Priority Data**

Aug. 7, 1997 [JP] Japan 9-64270

[51] **LOC (6) Cl.** **28-03**

[52] **U.S. Cl.** **D28/58**

[58] **Field of Search** D28/56-59, 62,
D28/49-53; D24/133, 144, 170; 132/73,
73.6, 75.3, 75.6, 75.8, 76.4

[56] **References Cited**

U.S. PATENT DOCUMENTS

D. 205,920	10/1966	Baron	D28/58
D. 206,040	10/1966	Munson et al.	D28/58
D. 297,375	8/1988	Liu	D28/49
D. 304,627	11/1989	Yonesawa	D28/53
D. 313,671	1/1991	Ichikawa	D28/35
D. 314,068	1/1991	Sulik	D28/58
D. 324,699	3/1992	Ohashi	D19/53
D. 387,487	12/1997	Sulik	D28/53
2,880,737	4/1959	Tone et al.	132/73.6
3,815,614	6/1974	Waters et al.	132/75

5,759,093 6/1998 Rodriguez 132/73.6 X

FOREIGN PATENT DOCUMENTS

5344912 12/1993 Japan 132/74.5

6277114 10/1994 Japan 132/73

6623302 9/1987 Switzerland 132/75.5

Primary Examiner—Ted Shooman

Assistant Examiner—C. Tuttle

Attorney, Agent, or Firm—Burns, Doane, Swecker & Mathis, L.L.P.; William A. Knoeller

[57] **CLAIM**

The ornamental design for a main body for an electric fingernail polisher, as shown and described.

DESCRIPTION

FIG. 1 is a left side view of our new design for the main body for an electric fingernail polisher; the opposite side is a mirror image thereof;

FIG. 2 is a top plan view thereof;

FIG. 3 is a bottom view thereof;

FIG. 4 is a front end view thereof;

FIG. 5 is a rear end view thereof;

FIG. 6 is a perspective view thereof;

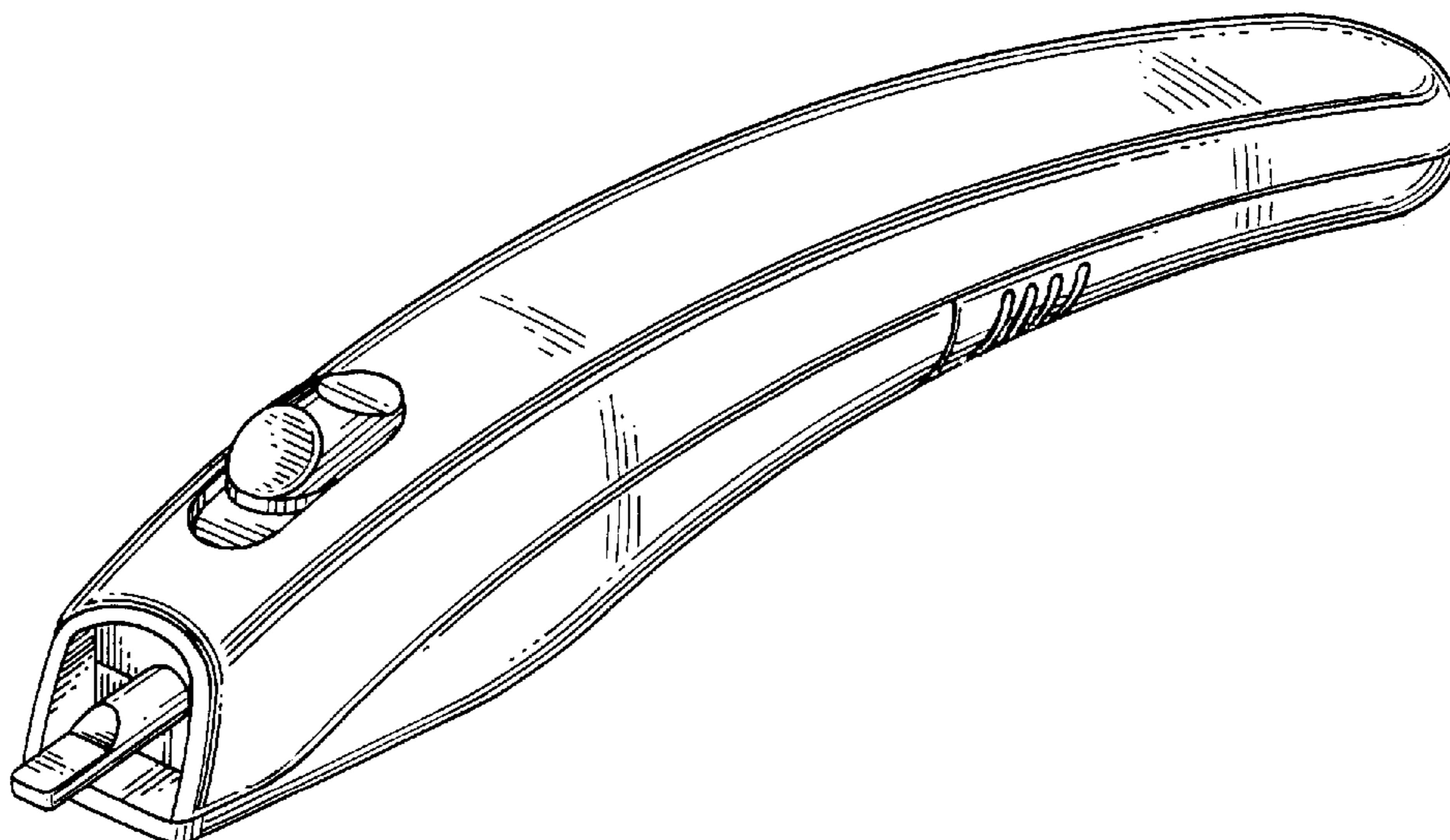
FIG. 7 is a perspective view on an enlarged scale showing a first optional tool mounted in working position;

FIG. 8 is a perspective view on an enlarged scale showing a second optional tool mounted in working position; and,

FIG. 9 is a perspective view on an enlarged scale showing a third optional tool mounted in working position.

The broken line showing of the optional tools is for illustrative purposes only and forms no part of the claimed design.

1 Claim, 5 Drawing Sheets



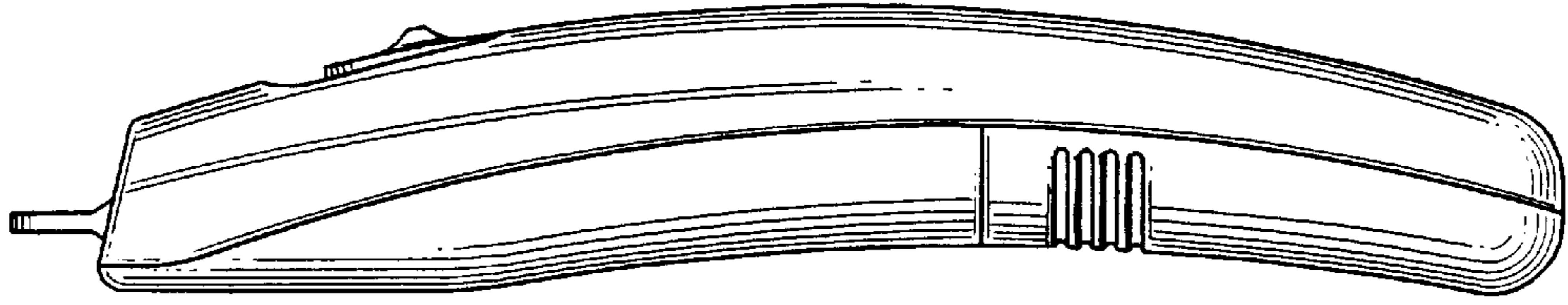


FIG. 1

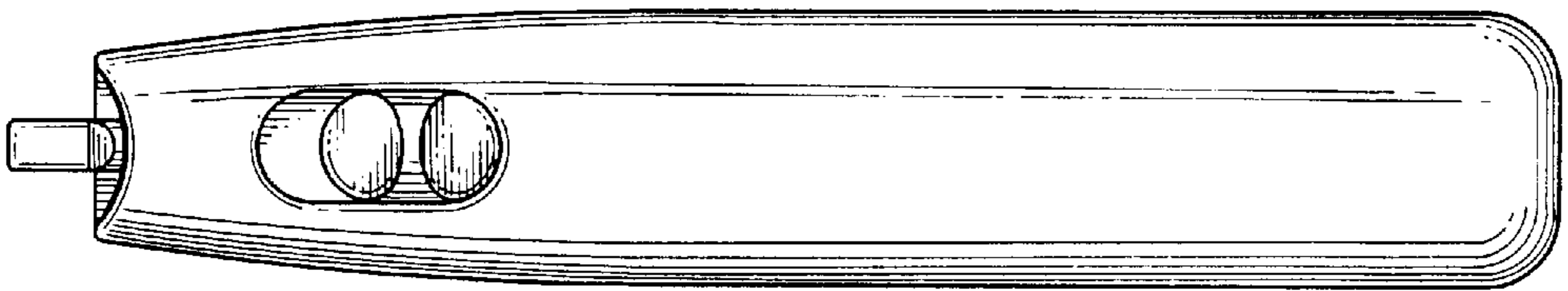


FIG. 2

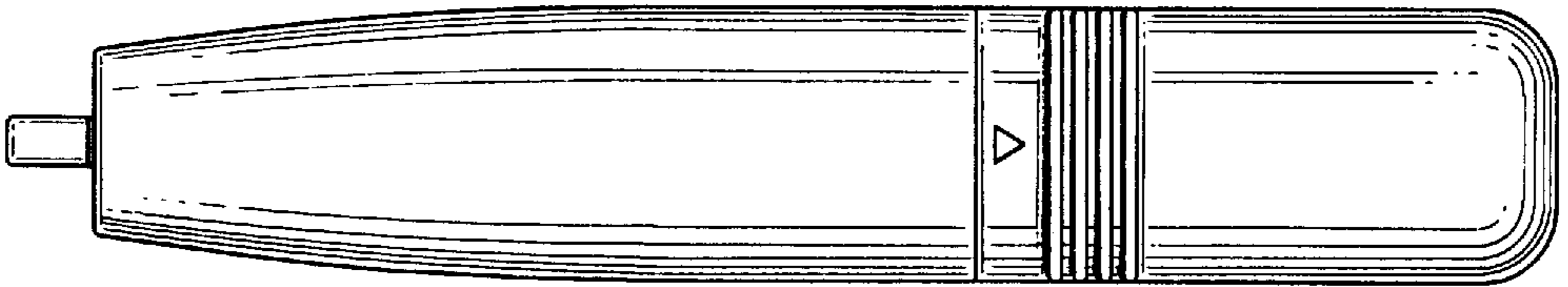


FIG. 3

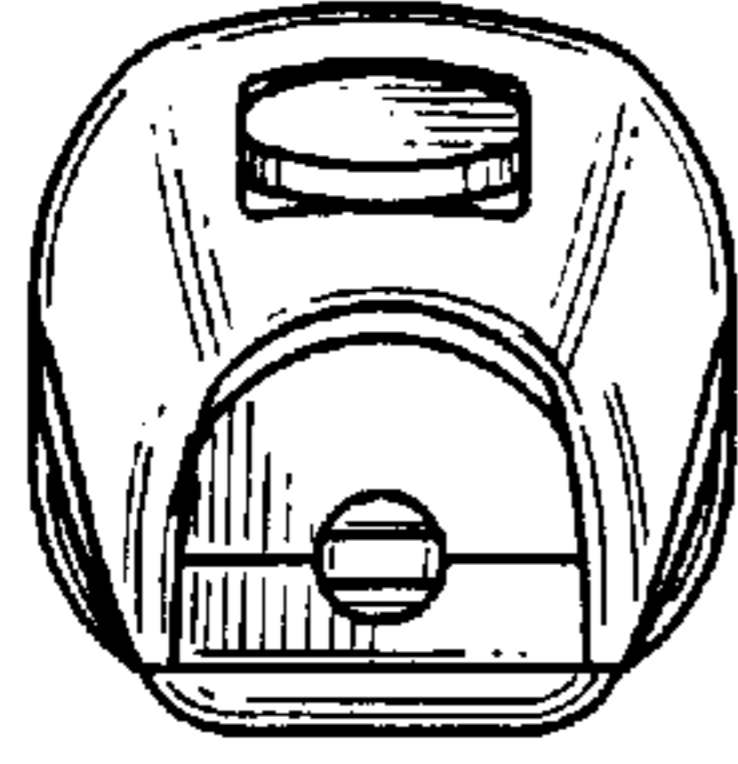


FIG. 4

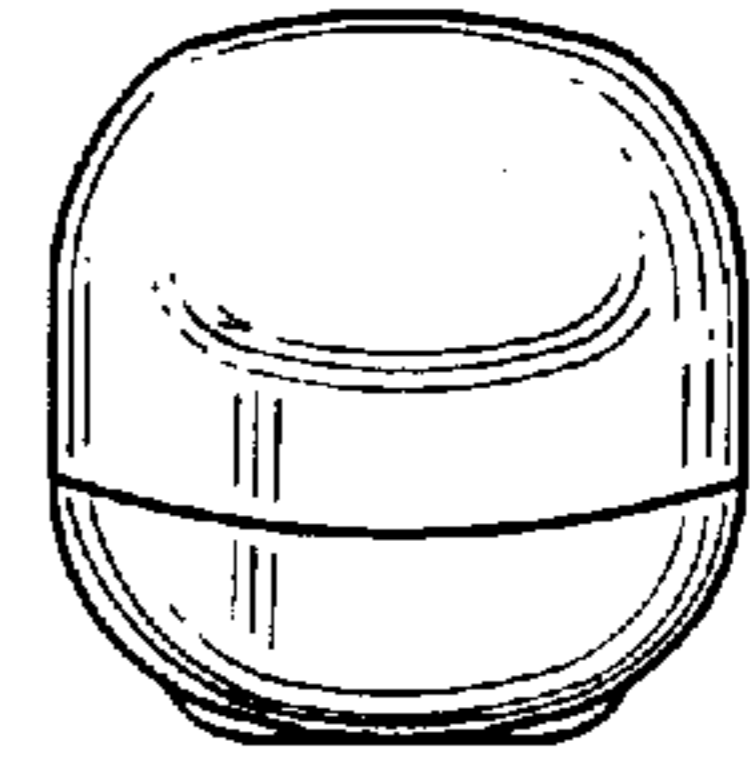


FIG. 5

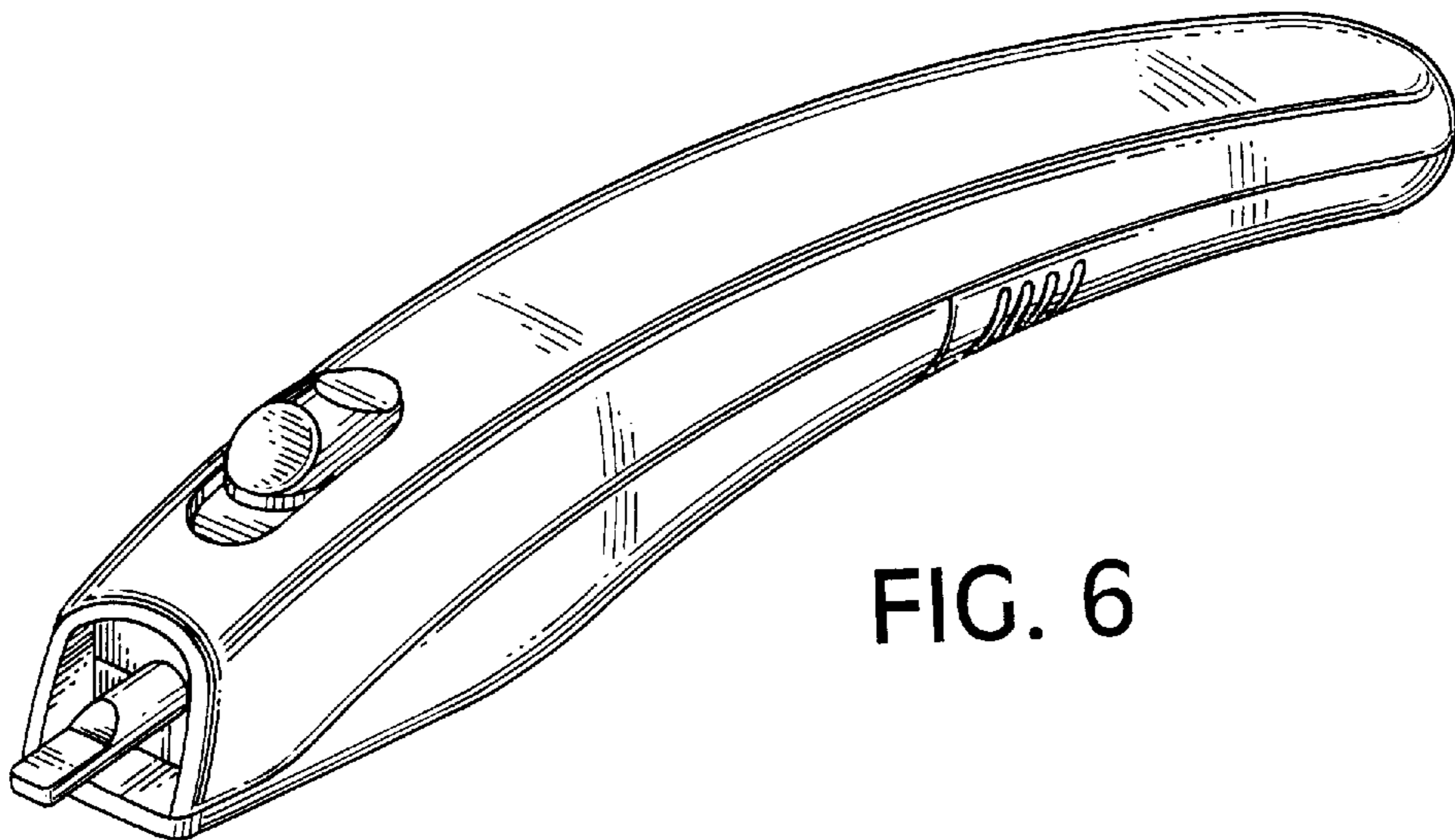


FIG. 6

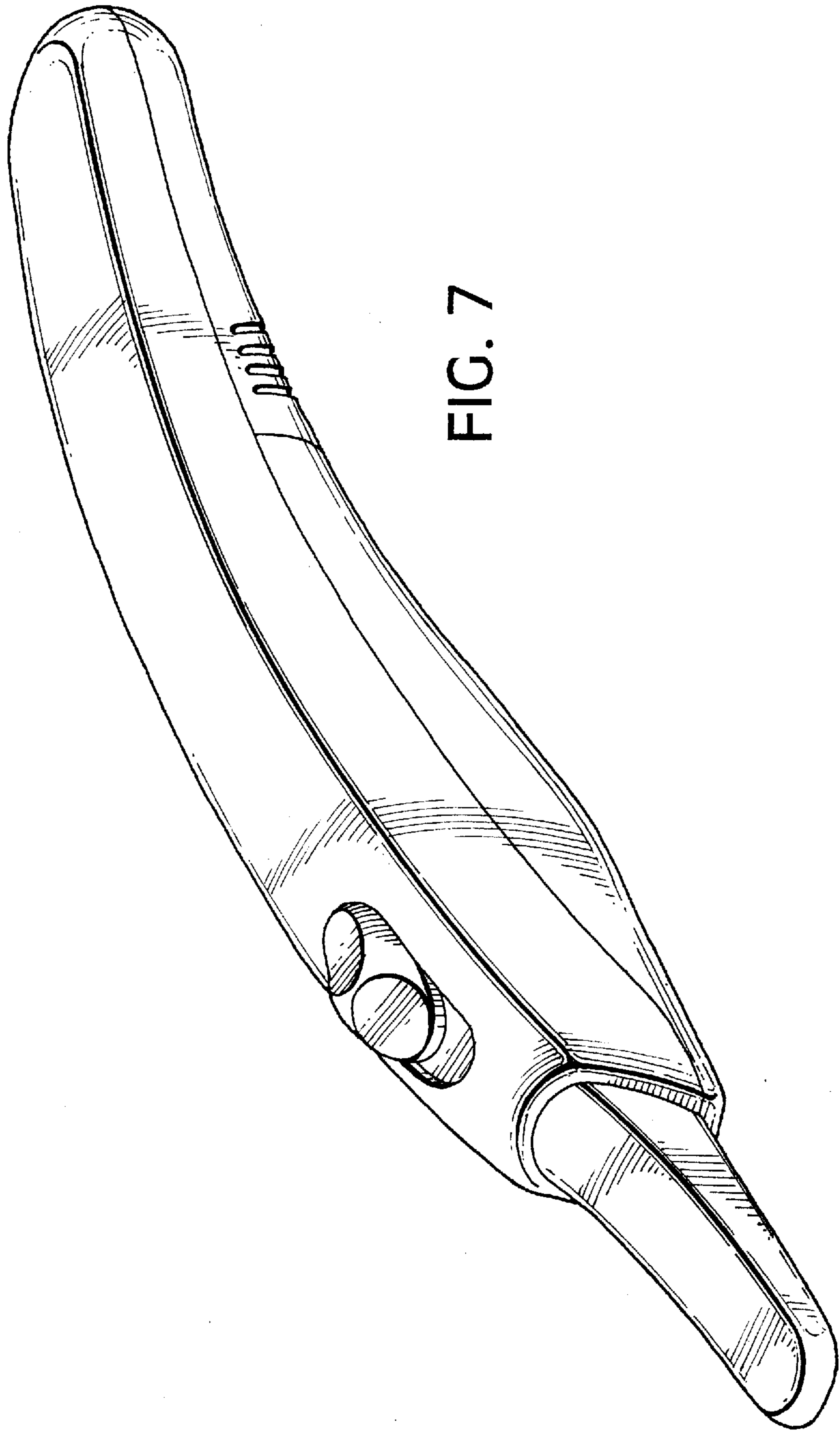


FIG. 7

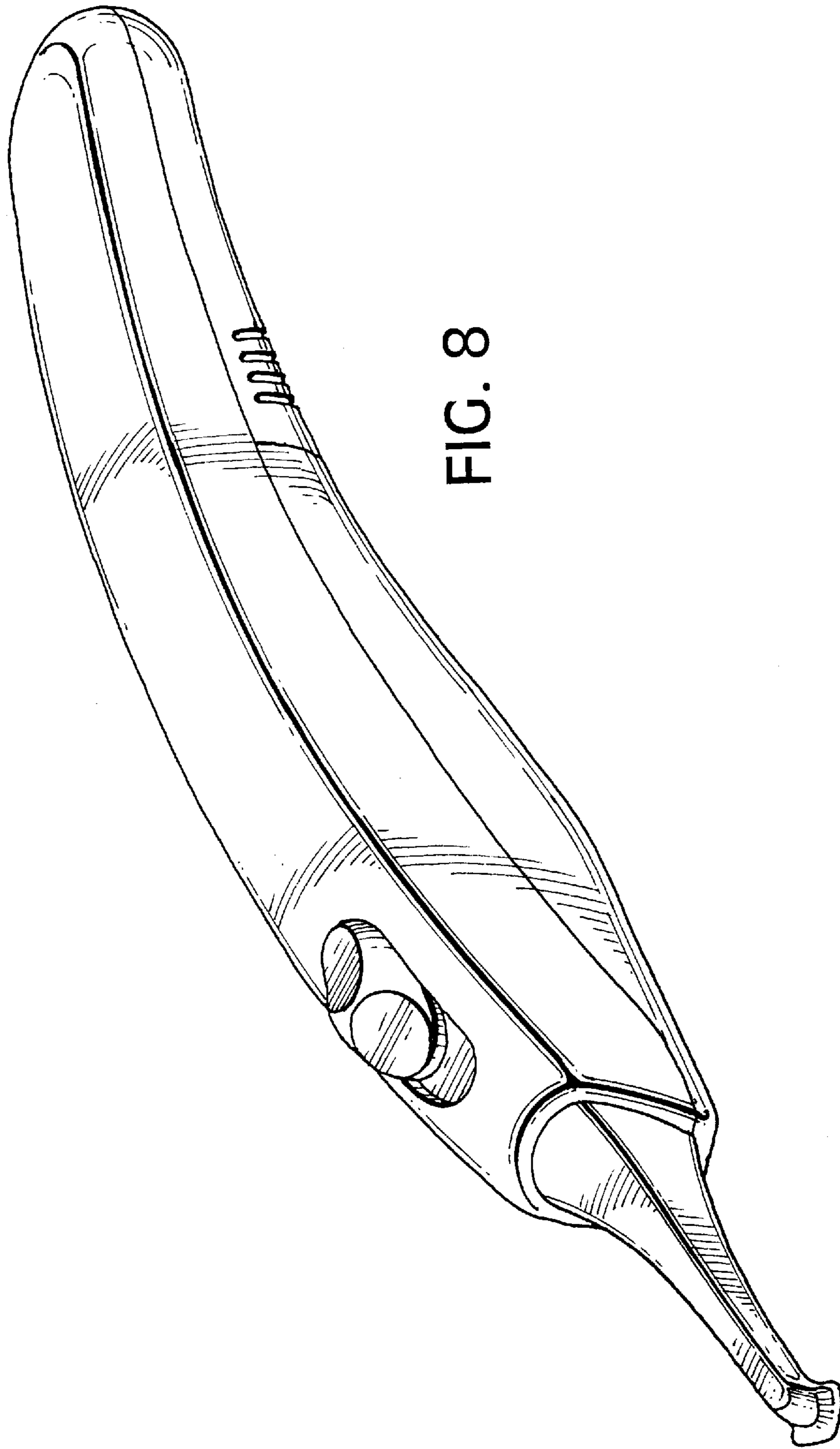


FIG. 8

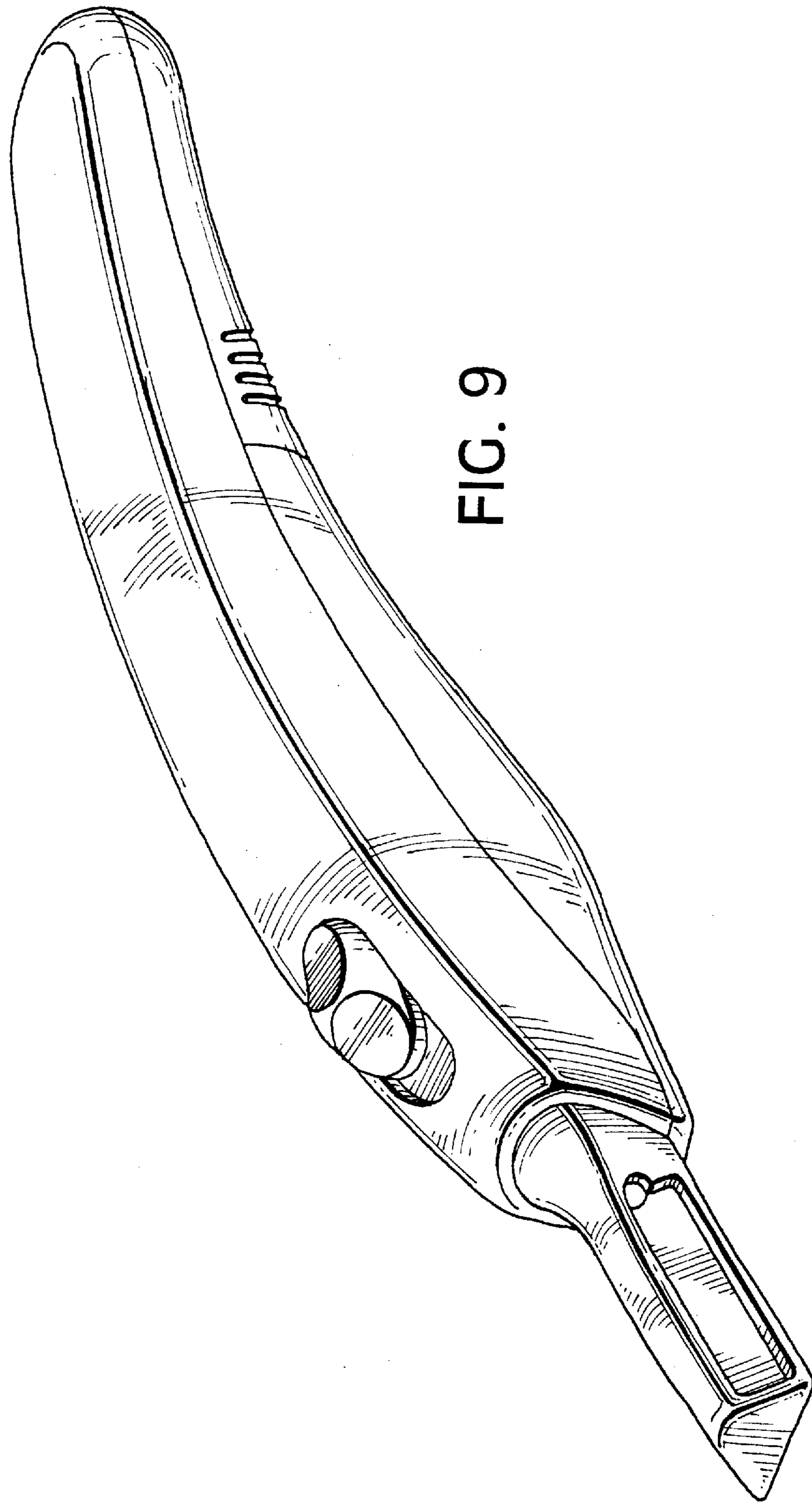


FIG. 9