



US00D407531S

# United States Patent [19]

Lee

[11] **Patent Number: Des. 407,531**

[45] **Date of Patent: \*\*Mar. 30, 1999**

[54] **OVERCAP FOR A SHAVING UNIT**

[75] Inventor: **Alejandro C. Lee**, Cambridge, Mass.

[73] Assignee: **The Gillette Company**, Boston, Mass.

[\*\*] Term: **14 Years**

[21] Appl. No.: **88,227**

[22] Filed: **May 19, 1998**

[51] **LOC (6) Cl. .... 28-03**

[52] **U.S. Cl. .... D28/47**

[58] **Field of Search** ..... D28/44-47; 30/32,  
30/34.05, 47-51, 58, 77, 84, 537, 539,  
540

[56] **References Cited**

**U.S. PATENT DOCUMENTS**

D. 210,713	4/1968	Hamill	.....	D28/47
D. 294,528	3/1988	Gray	.....	D28/46
D. 296,247	6/1988	Gray	.....	D28/46
D. 306,216	2/1990	Gray	.....	D28/45
D. 345,233	3/1994	Gray	.....	D28/47
2,608,756	9/1952	Jepson	.....	30/540

2,744,319	5/1956	Cutler	.....	30/84 X
3,609,862	10/1971	Ernstberger	.....	30/539
4,692,986	9/1987	Motta et al.	.....	30/34.05 X
4,709,476	12/1987	Shurtleff et al.	.....	30/41
4,777,722	10/1988	Trotta	.....	30/84
4,833,779	5/1989	Iten	.....	30/47
4,912,846	4/1990	Yu	.....	30/81
4,996,772	3/1991	Iten	.....	30/41

*Primary Examiner*—Ted Shooman  
*Assistant Examiner*—C. Tuttle  
*Attorney, Agent, or Firm*—Edward S. Podszus

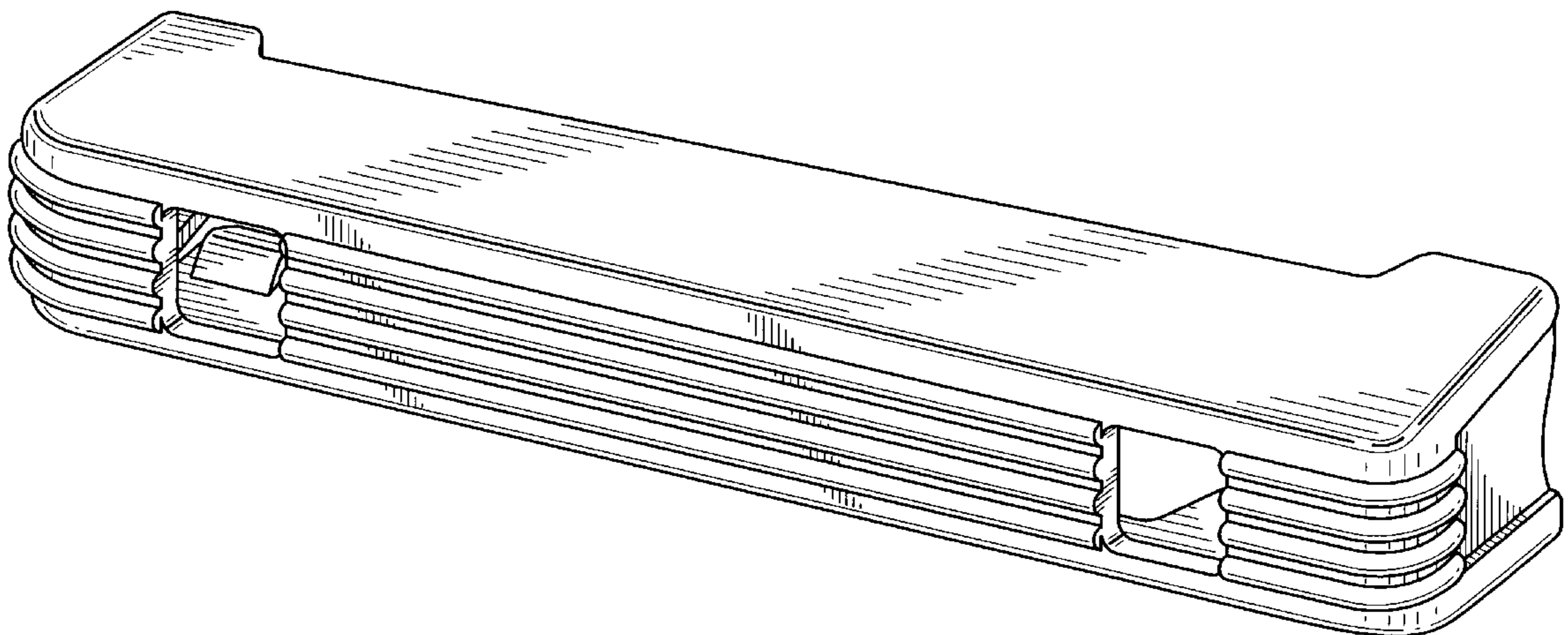
[57] **CLAIM**

I claim the ornamental design for an overcap for a shaving unit, as shown and described.

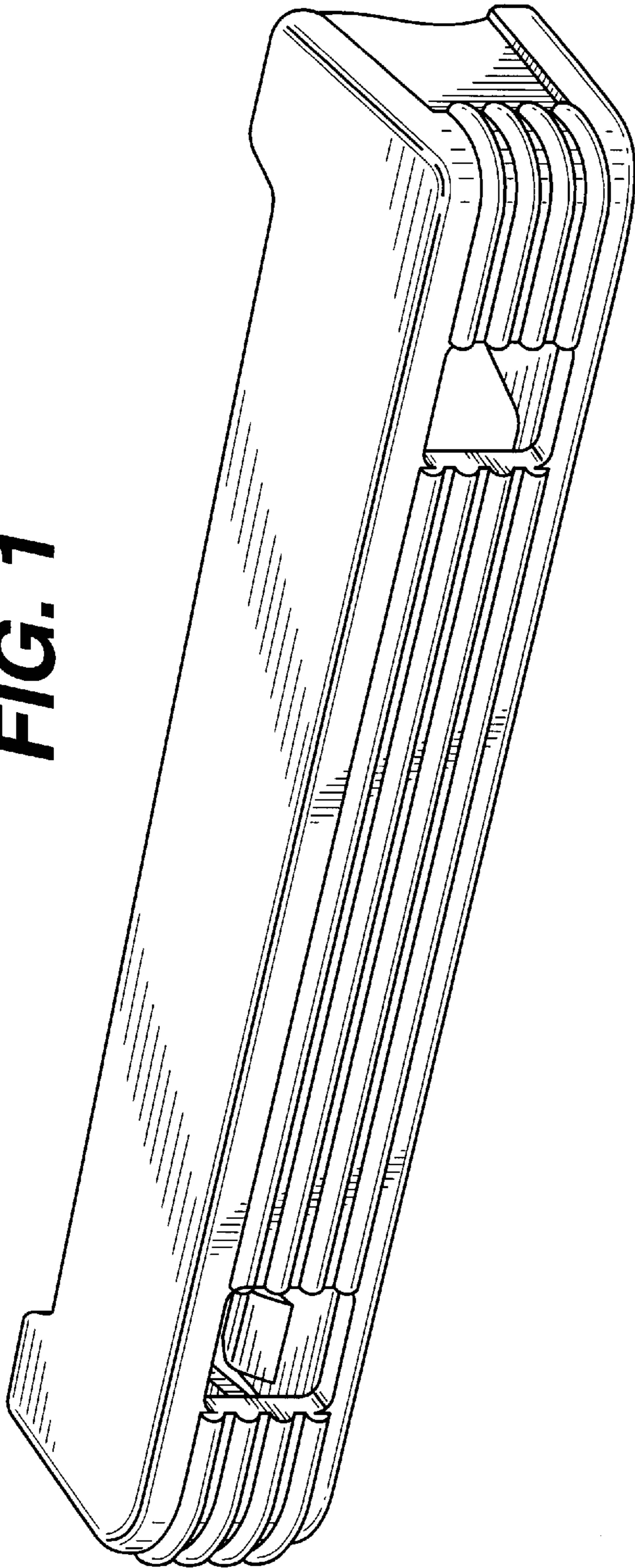
**DESCRIPTION**

FIG. 1 is a perspective view of an overcap for a shaving unit of my new design as seen from the top, front and right side; FIG. 2 is a right side elevational view thereof, the left side elevational being a mirror image; FIG. 3 is a front elevational view thereof; FIG. 4 is a top plan view thereof; FIG. 5 is a rear elevational view thereof; and, FIG. 6 is a bottom plan view thereof.

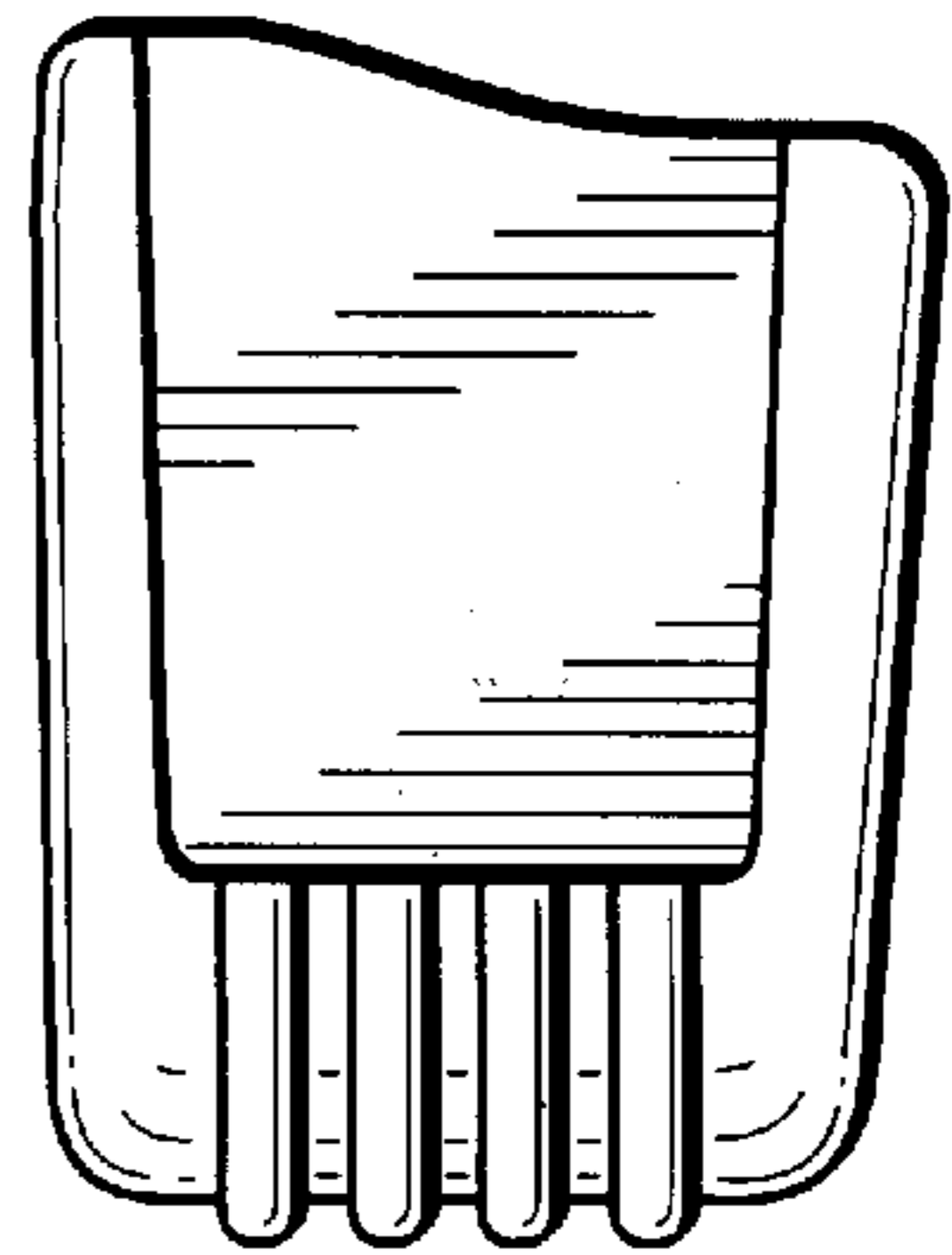
**1 Claim, 3 Drawing Sheets**



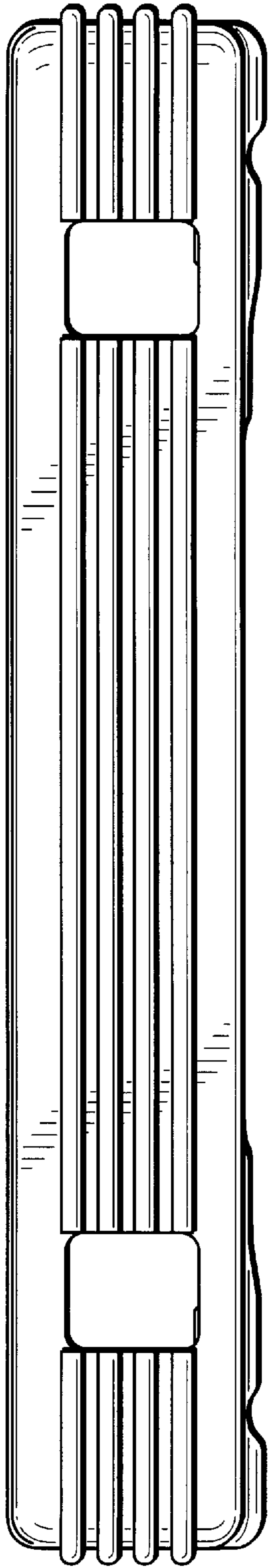
**FIG. 1**



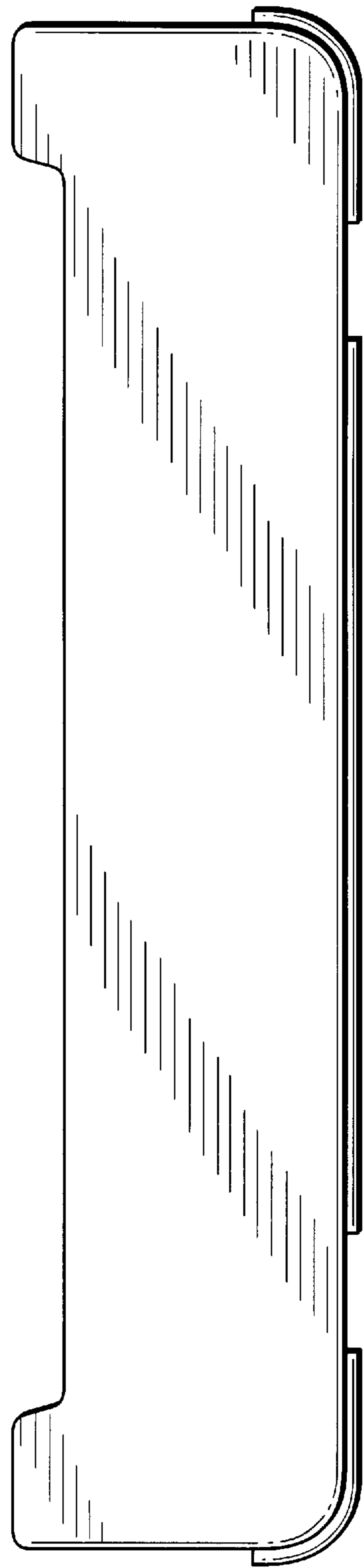
**FIG. 2**



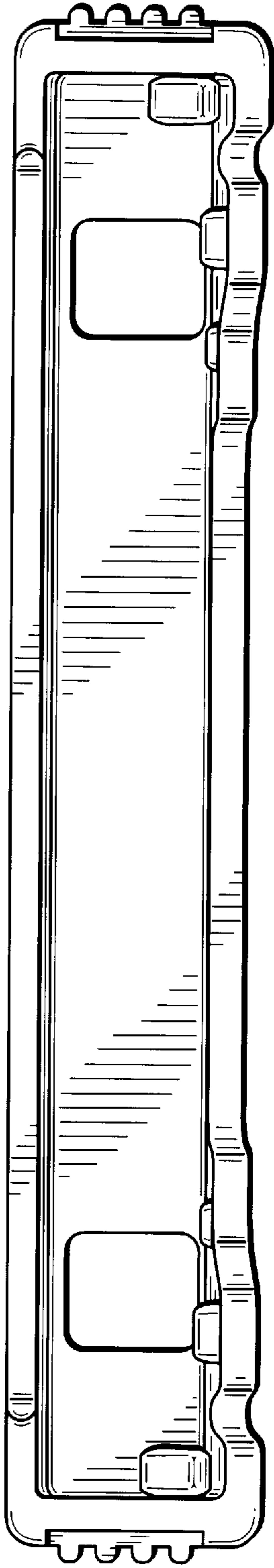
**FIG. 3**



**FIG. 4**



**FIG. 5**



**FIG. 6**

