

US00D407530S

# United States Patent [19]

Lee

[11] Patent Number: **Des. 407,530**

[45] Date of Patent: **\*\*Mar. 30, 1999**

[54] **RAZOR BLADE ASSEMBLY**

[75] Inventor: **Alejandro Lee**, Cambridge, Mass.

[73] Assignee: **The Gillette Company**, Boston, Mass.

[\*\*] Term: **14 Years**

[21] Appl. No.: **70,580**

[22] Filed: **May 12, 1997**

[51] **LOC (6) Cl.** ..... **28-03**

[52] **U.S. Cl.** ..... **D28/47**

[58] **Field of Search** ..... D28/46, 47; 30/32, 30/34.2, 41, 47-51, 74.1, 77-81

2522715	2/1976	Germany	.....	30/47
196 06 638				
A1	8/1996	Germany	.....	B26B 19/42
1 557 177	12/1979	United Kingdom	.....	B26B 21/54
8825268	4/1990	United Kingdom	.	
WO 96/35558	11/1996	WIPO	.....	B26B 21/40

*Primary Examiner*—Ted Shooman  
*Assistant Examiner*—C Tuttle  
*Attorney, Agent, or Firm*—Edward S. Podszus

## [57] CLAIM

I claim the ornamental design for a razor blade assembly, as shown and described.

## DESCRIPTION

FIG. 1 is a top front perspective view of a razor blade assembly showing my new design; FIG. 2 is a bottom rear perspective view thereof; FIG. 3 is a top plan view thereof; FIG. 4 is a front elevational view thereof; FIG. 5 is a left side elevational view thereof, the opposite right side being a mirror image; FIG. 6 is a bottom plan view thereof; FIG. 7 is a rear elevational view thereof; and, FIG. 8 is an elevational sectional view taken on the line 8—8 of FIG. 3.

The insert having fin-like projections at the forward portion of the razor blade assembly has a soft, matte appearance presenting a visual and textural contrast to the frame portion of the razor blade assembly. This design is not limited to the exact details shown in the drawings, since equivalents and colorable imitation thereof will be evident to a person of ordinary skill in the art. Thus, within the scope of the appended claim, which is intended to cover only the ornamental and novel elements shown in the drawings, the invention may be practiced otherwise than as specifically shown and described herein.

## [56] References Cited

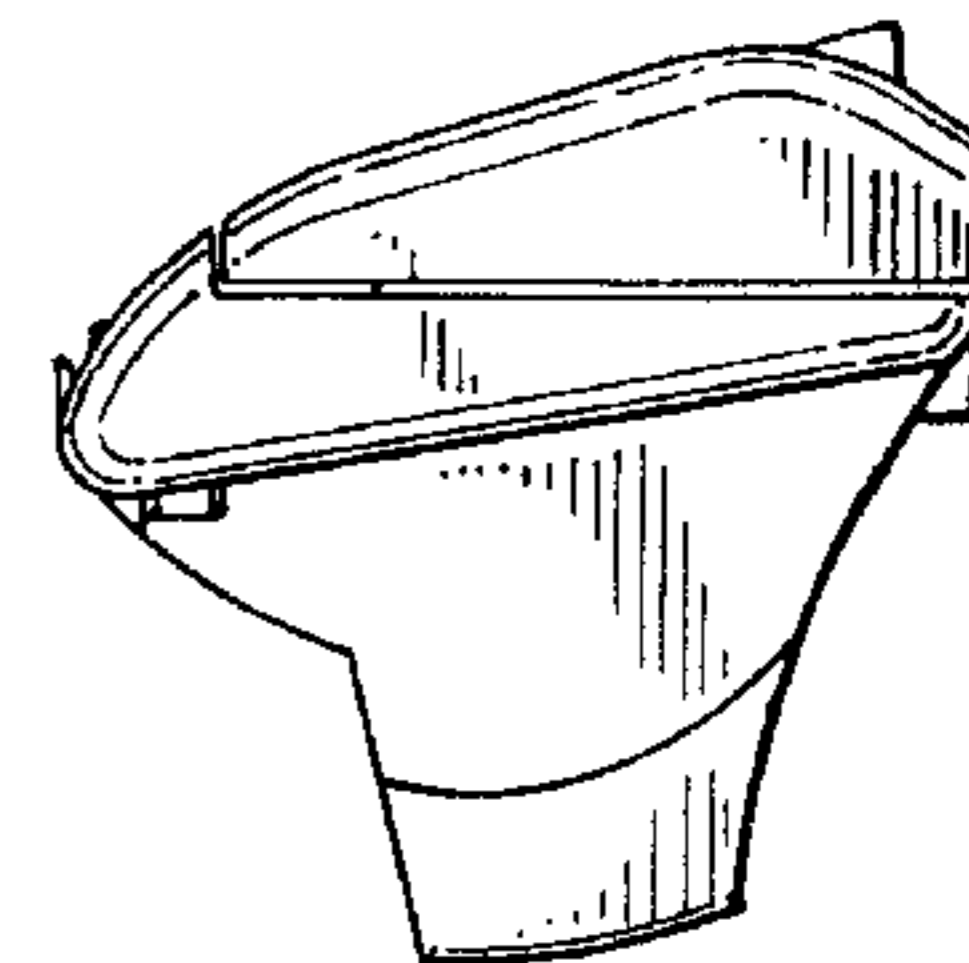
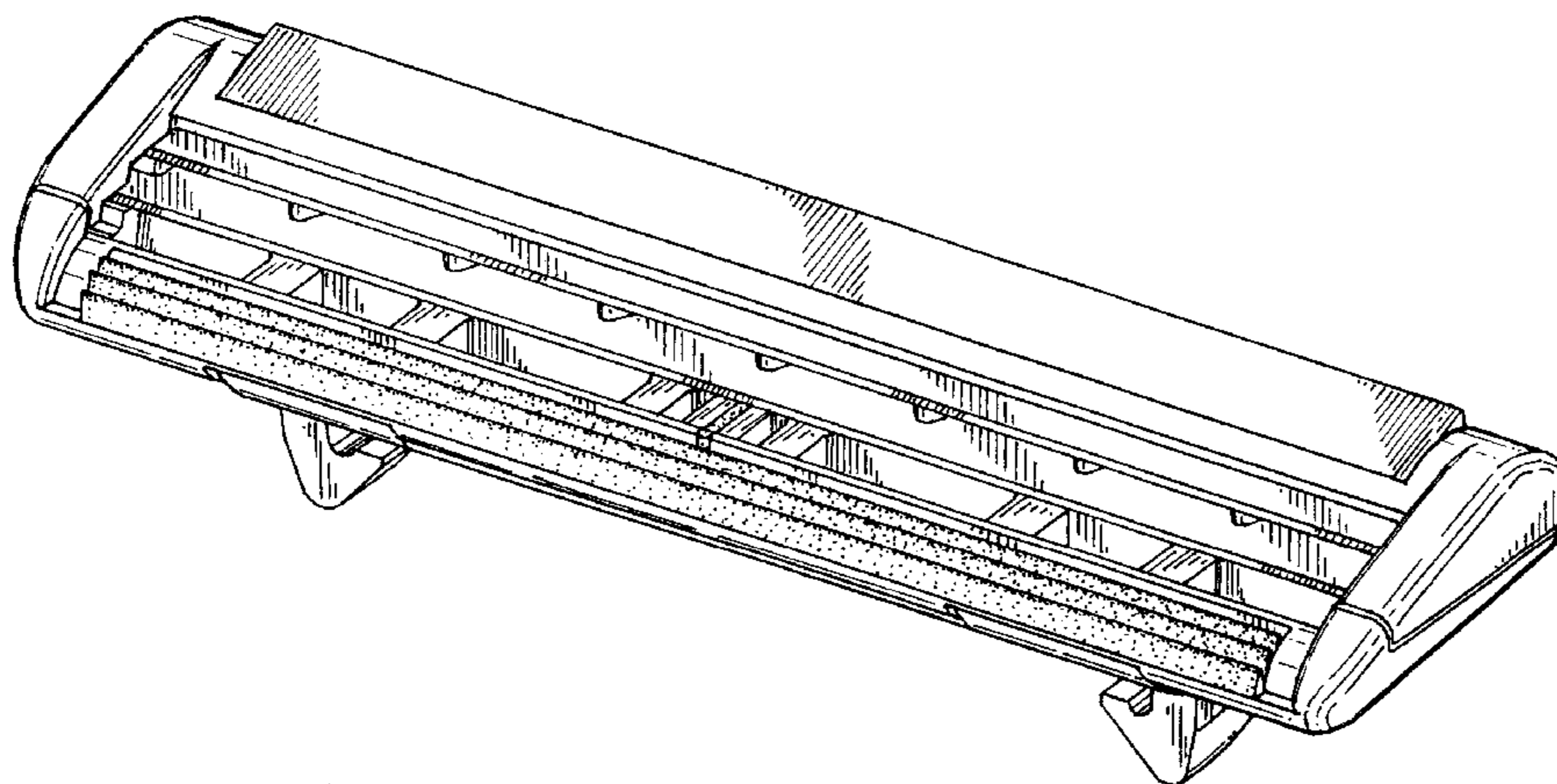
### U.S. PATENT DOCUMENTS

D. 243,638	3/1977	Poisson	.....	D28/47
D. 245,460	8/1977	Poisson	.....	D28/46
D. 298,068	10/1988	Gilder	.....	D28/47
D. 322,689	12/1991	Jacobson et al.	.....	D28/47
D. 345,232	3/1994	Gray	.....	D28/46
D. 393,929	4/1998	Prochaska	.....	D28/47
1,497,647	6/1924	Smith	.....	30/34.2
3,138,865	6/1964	Meyer	.....	30/34.2
3,722,090	3/1973	Dawidowicz	.....	30/34.2
4,026,016	5/1977	Nissen	.....	30/47
4,492,024	1/1985	Jacobson	.....	30/50 X
5,095,620	3/1992	Althaus	.....	30/41
5,153,992	10/1992	Brown et al.	.....	30/49
5,191,712	3/1993	Crook et al.	.....	30/34.2
5,249,361	10/1993	Apprille, Jr.	.....	30/77
5,416,973	5/1995	Brown et al.	.....	30/34.2
5,526,567	6/1996	Carson, III et al.	.....	30/50
5,546,660	8/1996	Burout et al.	.....	30/50
5,590,468	1/1997	Prochaska	.....	30/41
5,666,729	9/1997	Ferraro	.....	30/50

### FOREIGN PATENT DOCUMENTS

0 353 919 2/1990 European Pat. Off. .... B26B 21/52

**1 Claim, 4 Drawing Sheets**



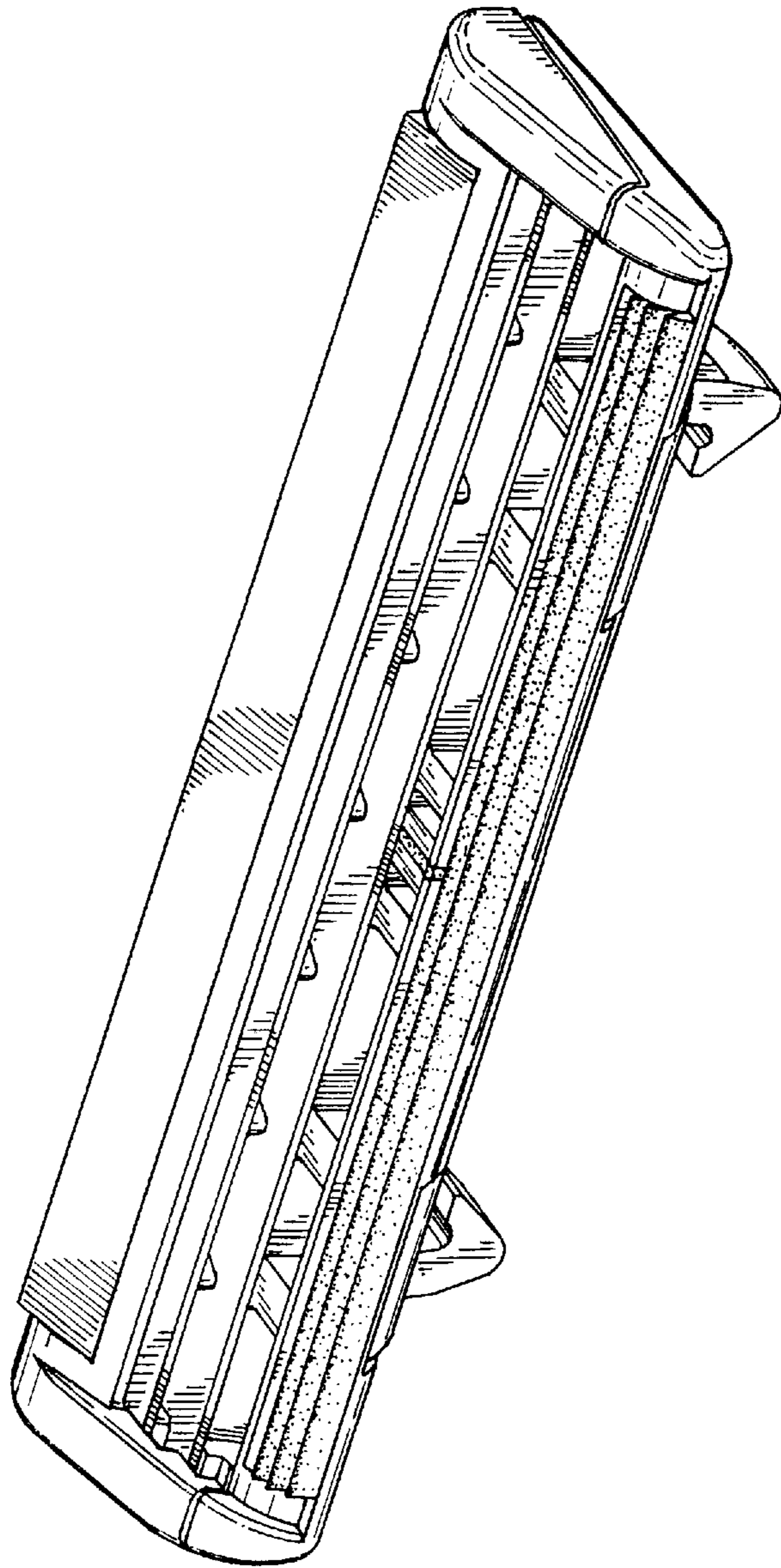


FIG. 1

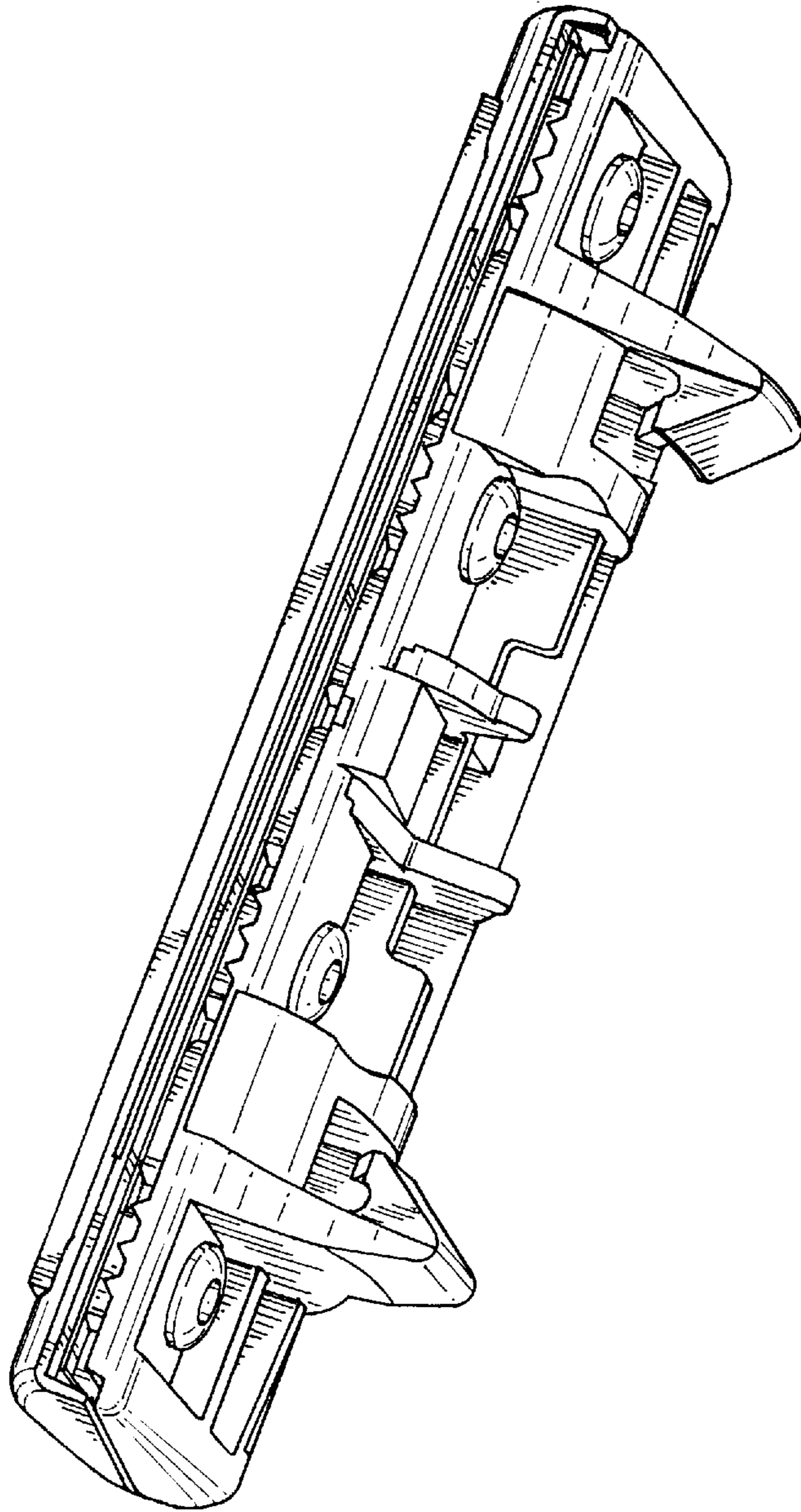


FIG. 2

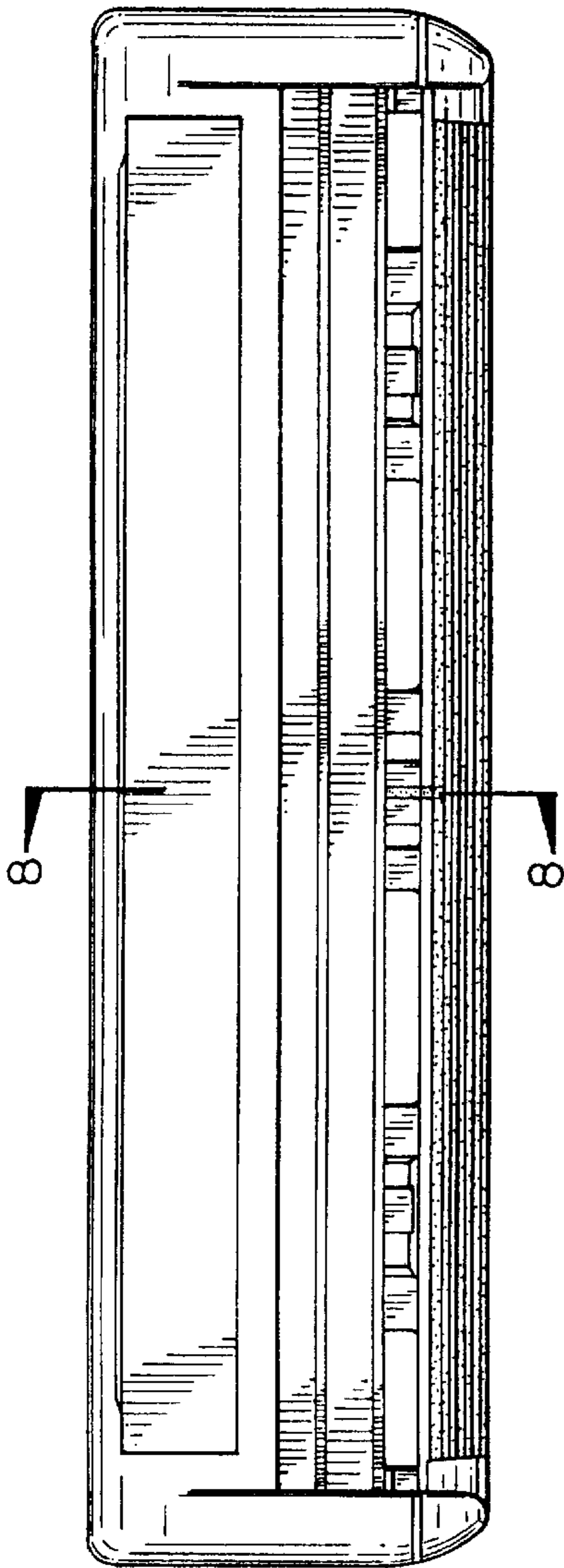


FIG. 3

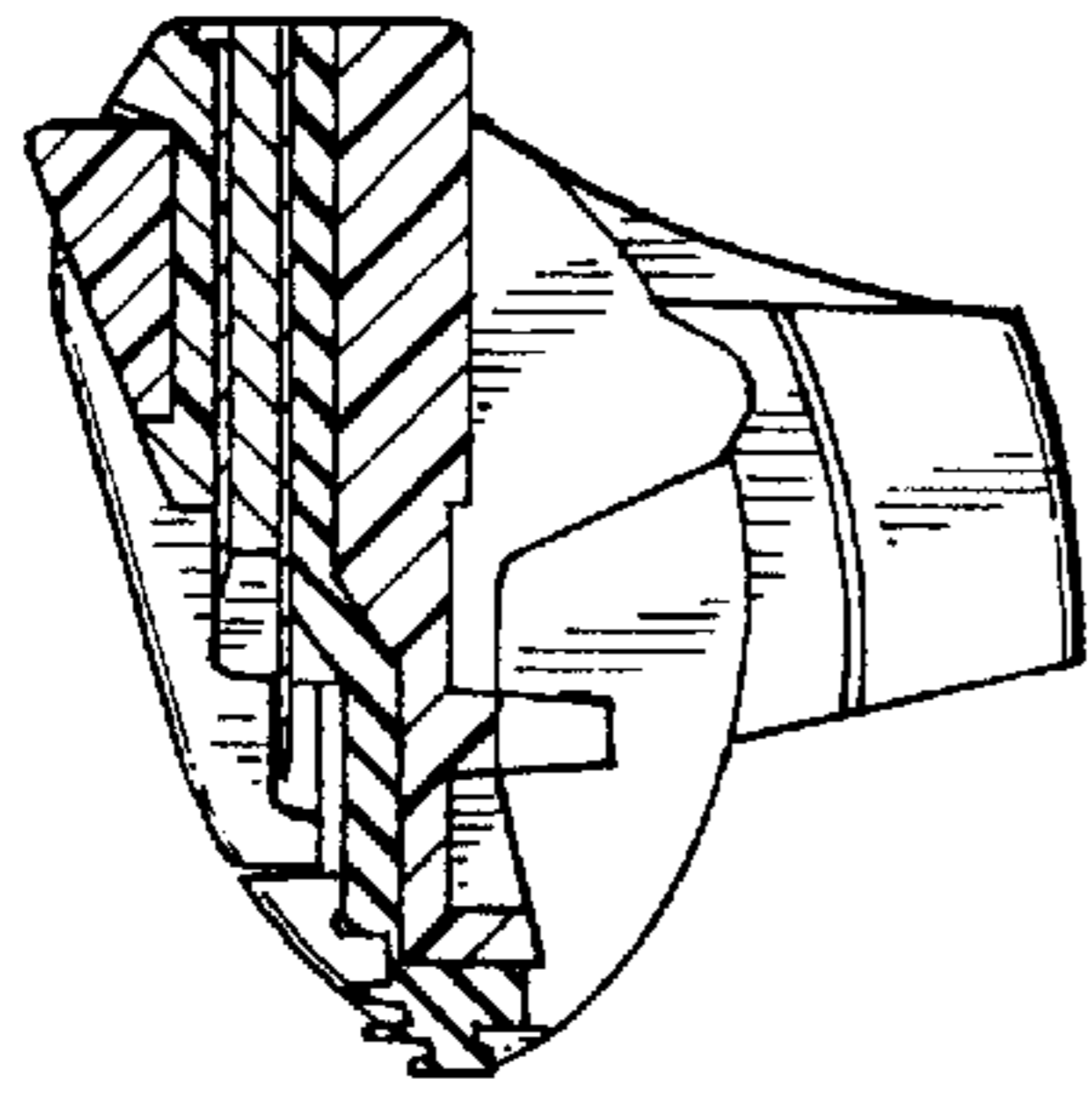


FIG. 8

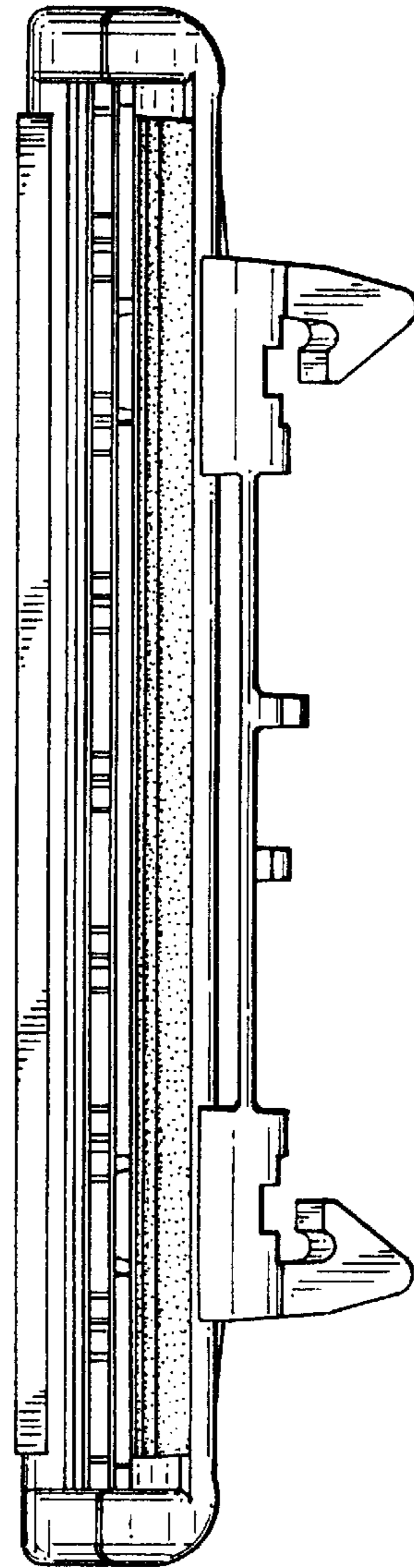


FIG. 4

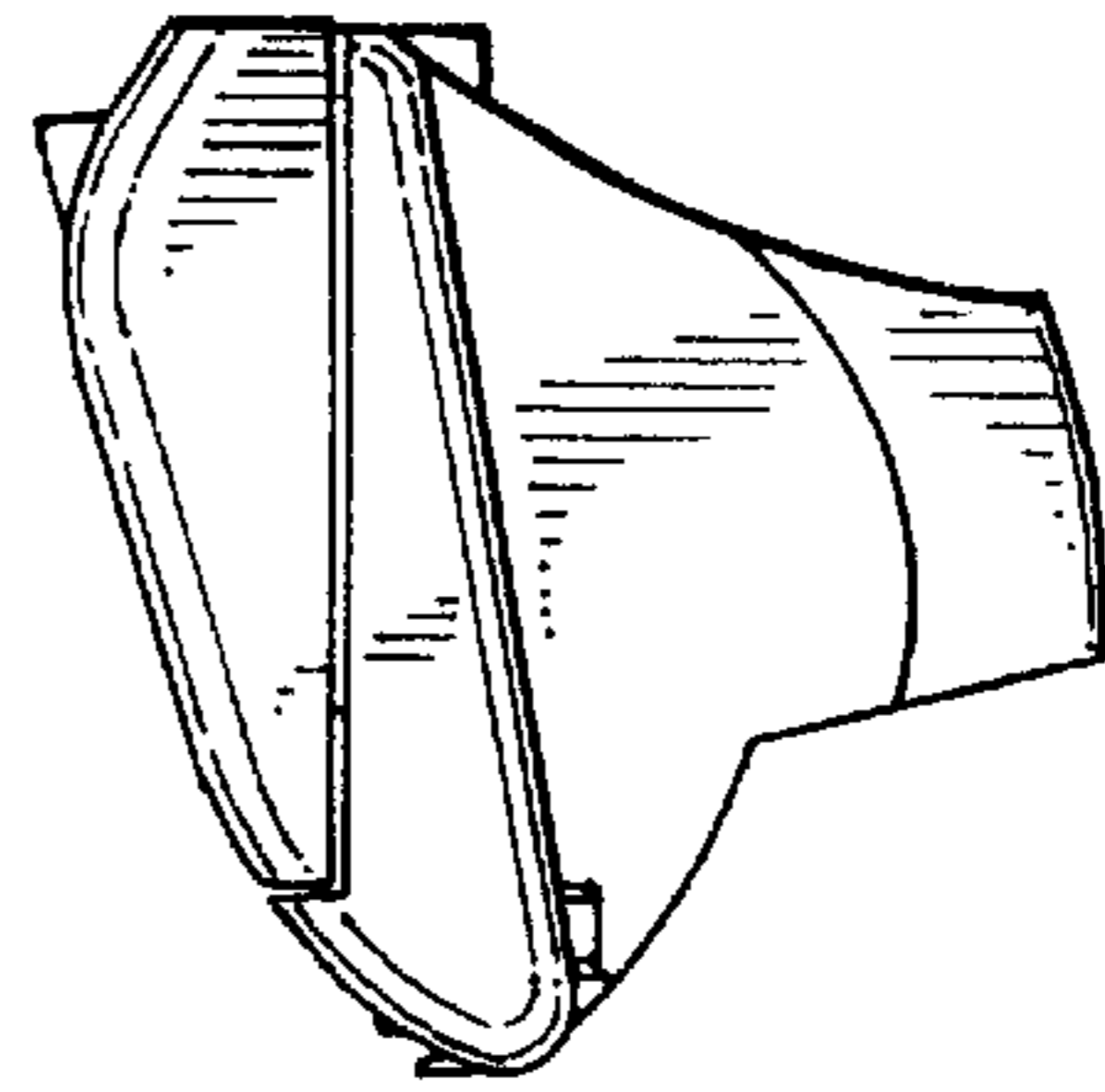


FIG. 5

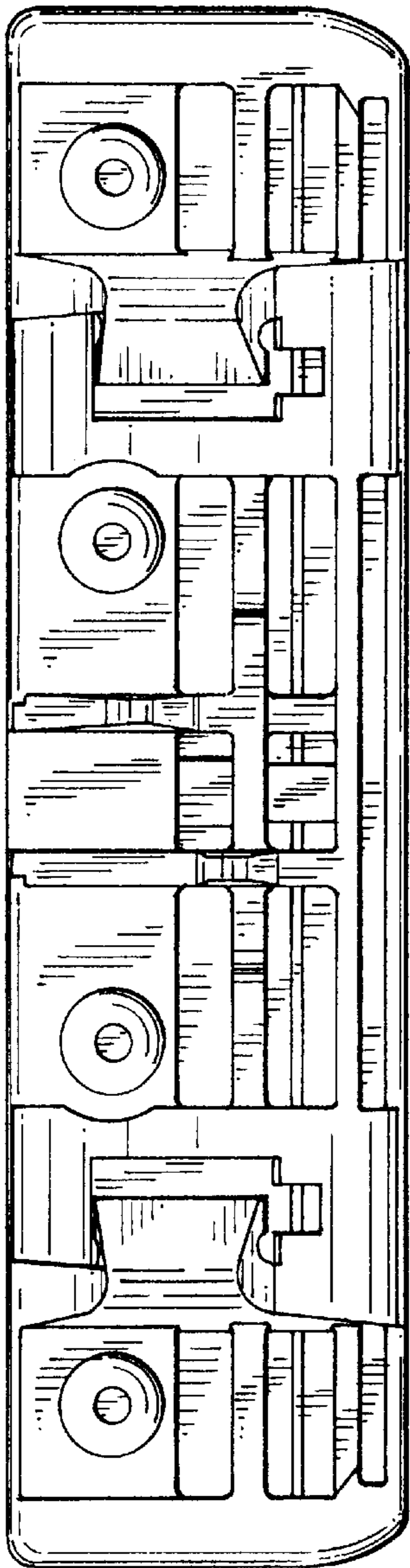


FIG. 6

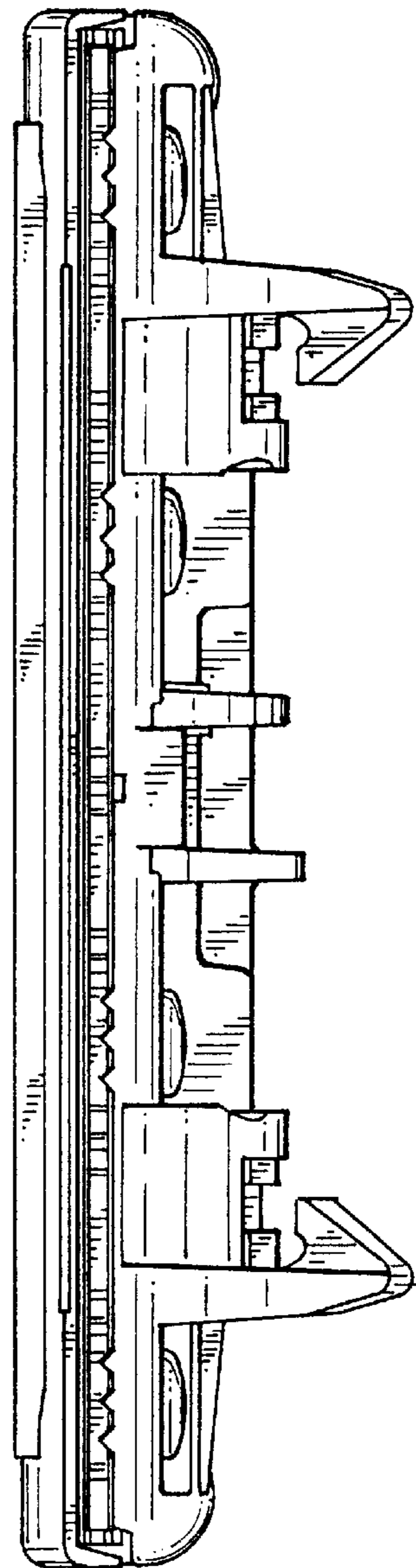


FIG. 7