



US00D407524S

United States Patent [19]

Lecluze

[11] Patent Number: **Des. 407,524**

[45] Date of Patent: *****Mar. 30, 1999**

[54] TRIM FOR RECESSED LIGHT FIXTURE

3,518,420 6/1970 Kripp 362/365 X

[76] Inventor: **Michel Lecluze**, 1009 rue du Parc Industriel, St-Jean-Chrysostome, Québec, Canada, G6Z IC5

Primary Examiner—Susan J. Lucas
Attorney, Agent, or Firm—Jean H. Dubuc

[*] Notice: The term of this patent shall not extend beyond the expiration date of Pat. No. D. 381,111.

[57] **CLAIM**

The ornamental design for a trim for recessed light fixture, as shown and described.

[**] Term: **14 Years**

DESCRIPTION

[21] Appl. No.: **72,660**

FIG. 1 is a perspective view of a trim for recessed light fixture made in accordance with the present invention;

[22] Filed: **Jun. 23, 1997**

FIG. 2 is a side view thereof;

[51] **LOC (6) Cl.** **26-99**

[52] **U.S. Cl.** **D26/118**

FIG. 3 is a side view thereof as seen from the left of FIG. 2;

[58] **Field of Search** D26/72, 74, 118, D26/119; 362/147, 364, 365-366

FIG. 4 is a bottom plan view thereof; and,

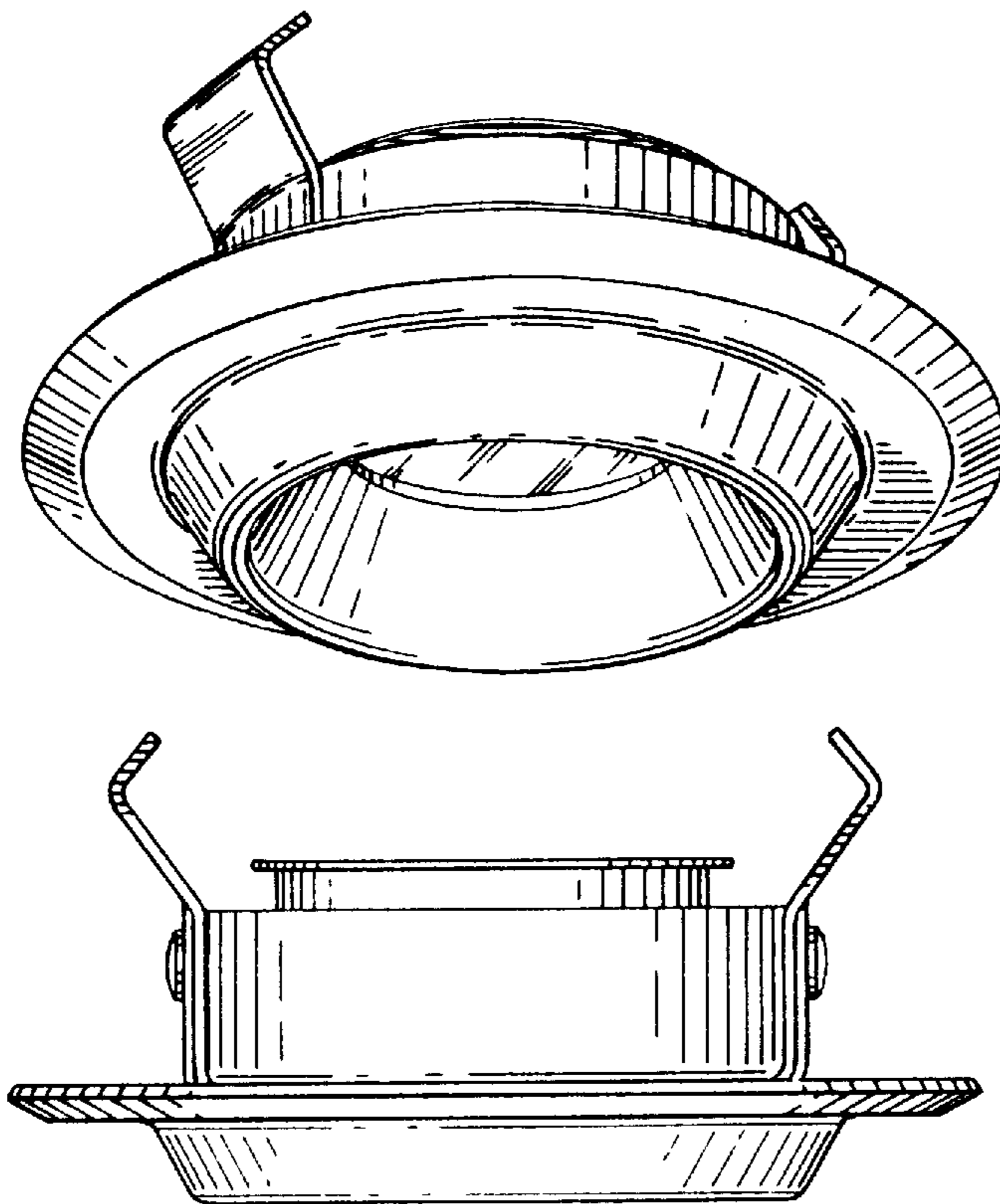
FIG. 5 is a top plan view thereof.

[56] **References Cited**

U.S. PATENT DOCUMENTS

D. 381,111 7/1997 Lecluze D26/118

1 Claim, 2 Drawing Sheets



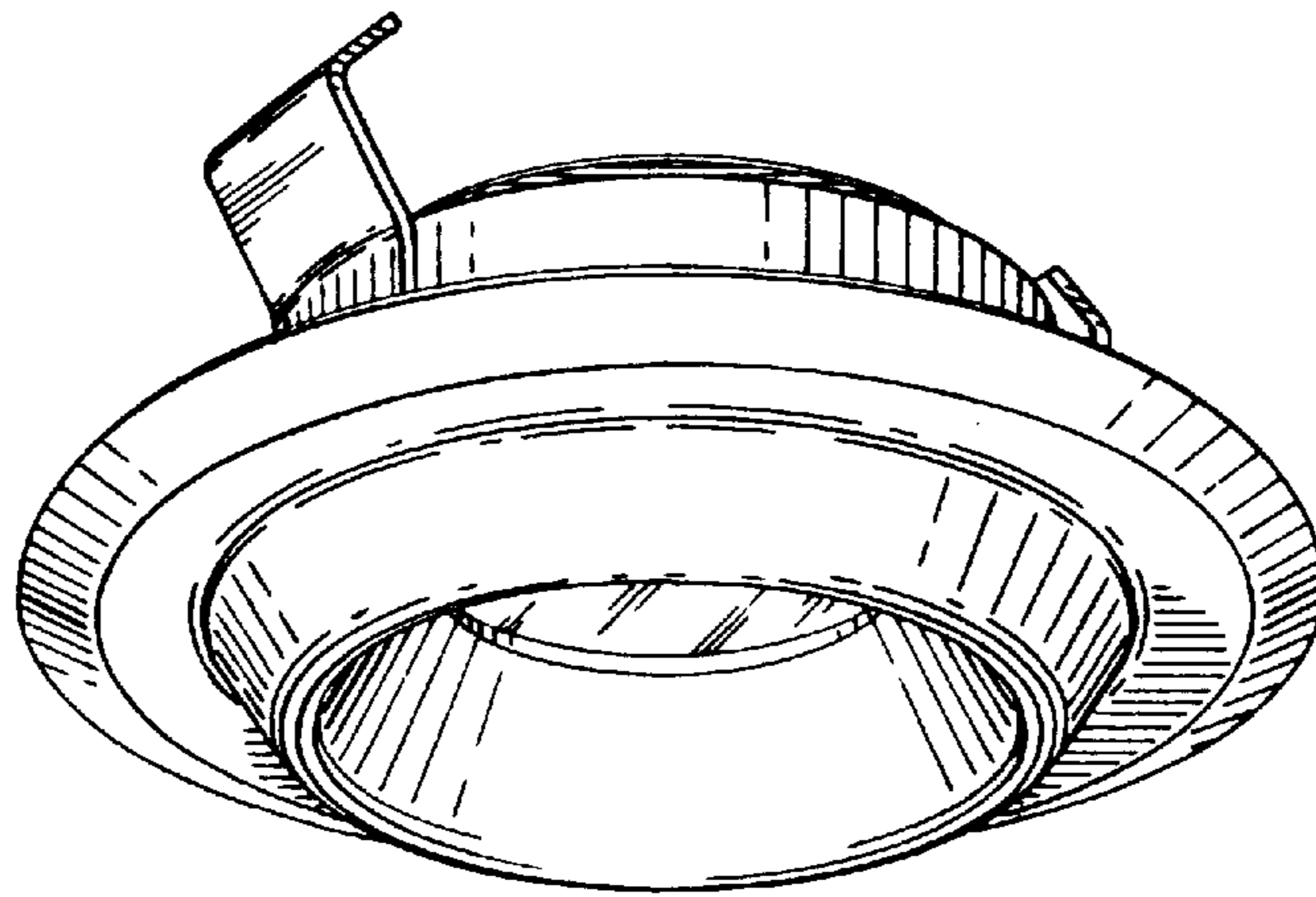


FIG. 1

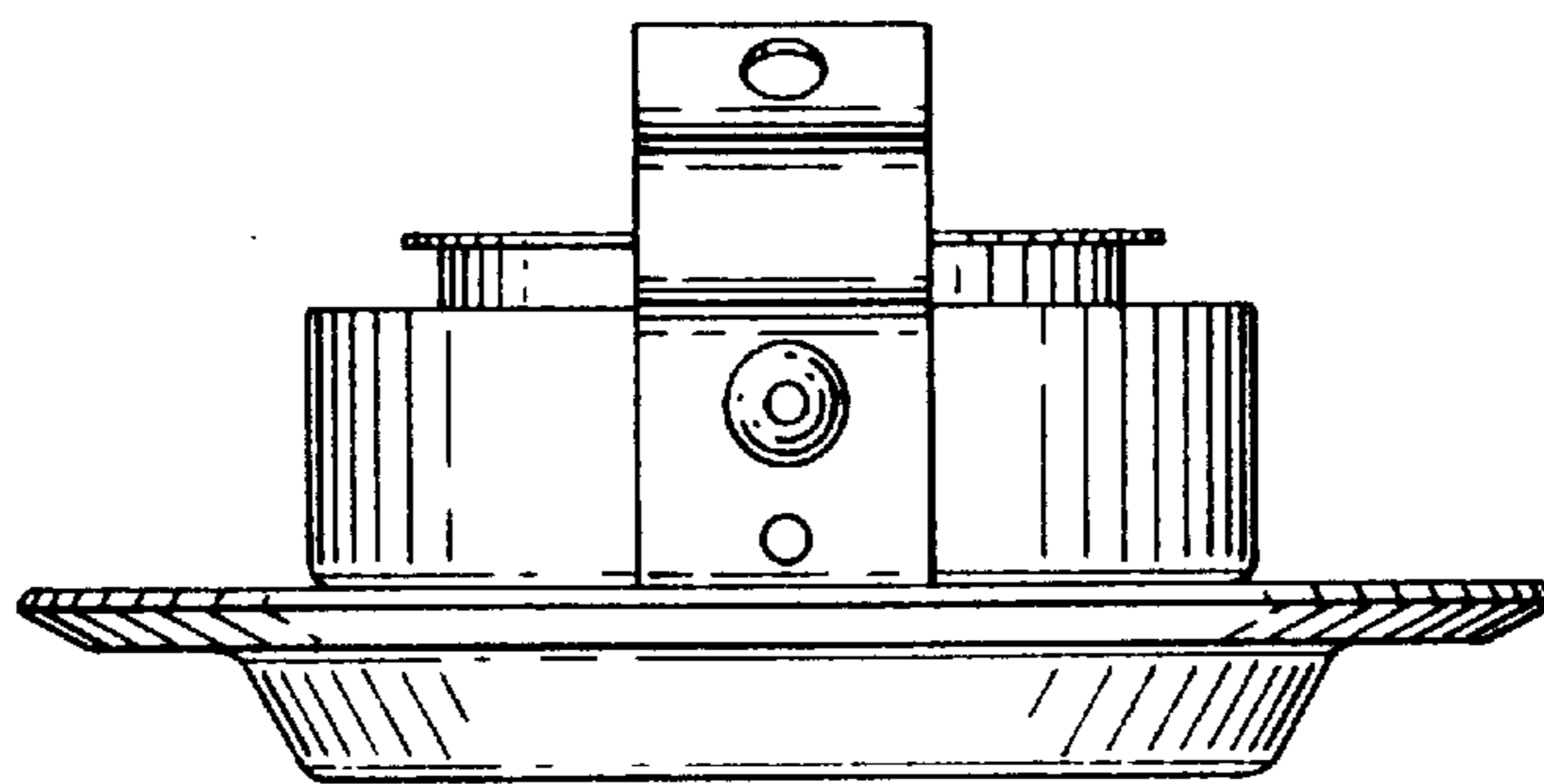


FIG. 2

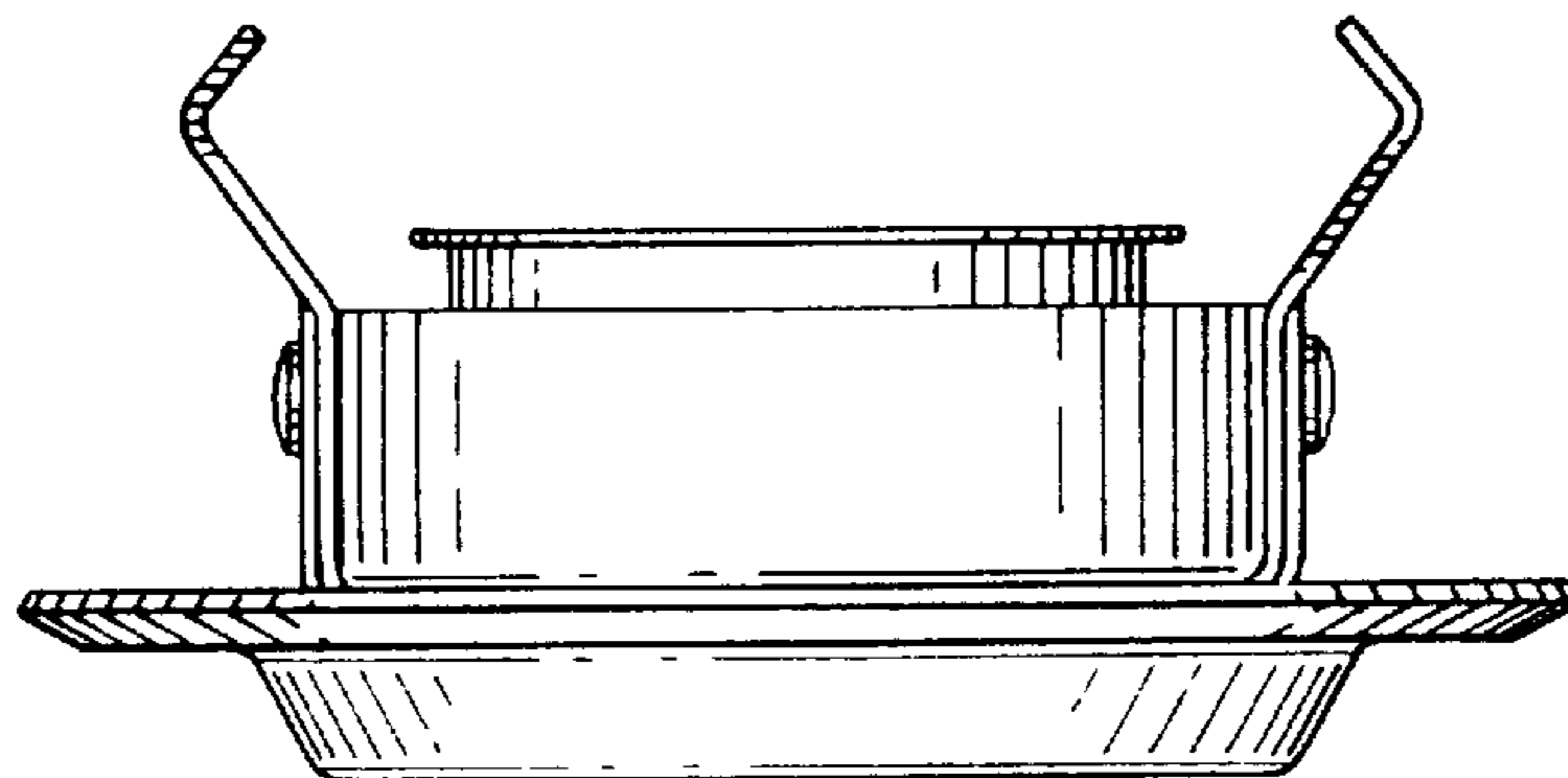


FIG. 3

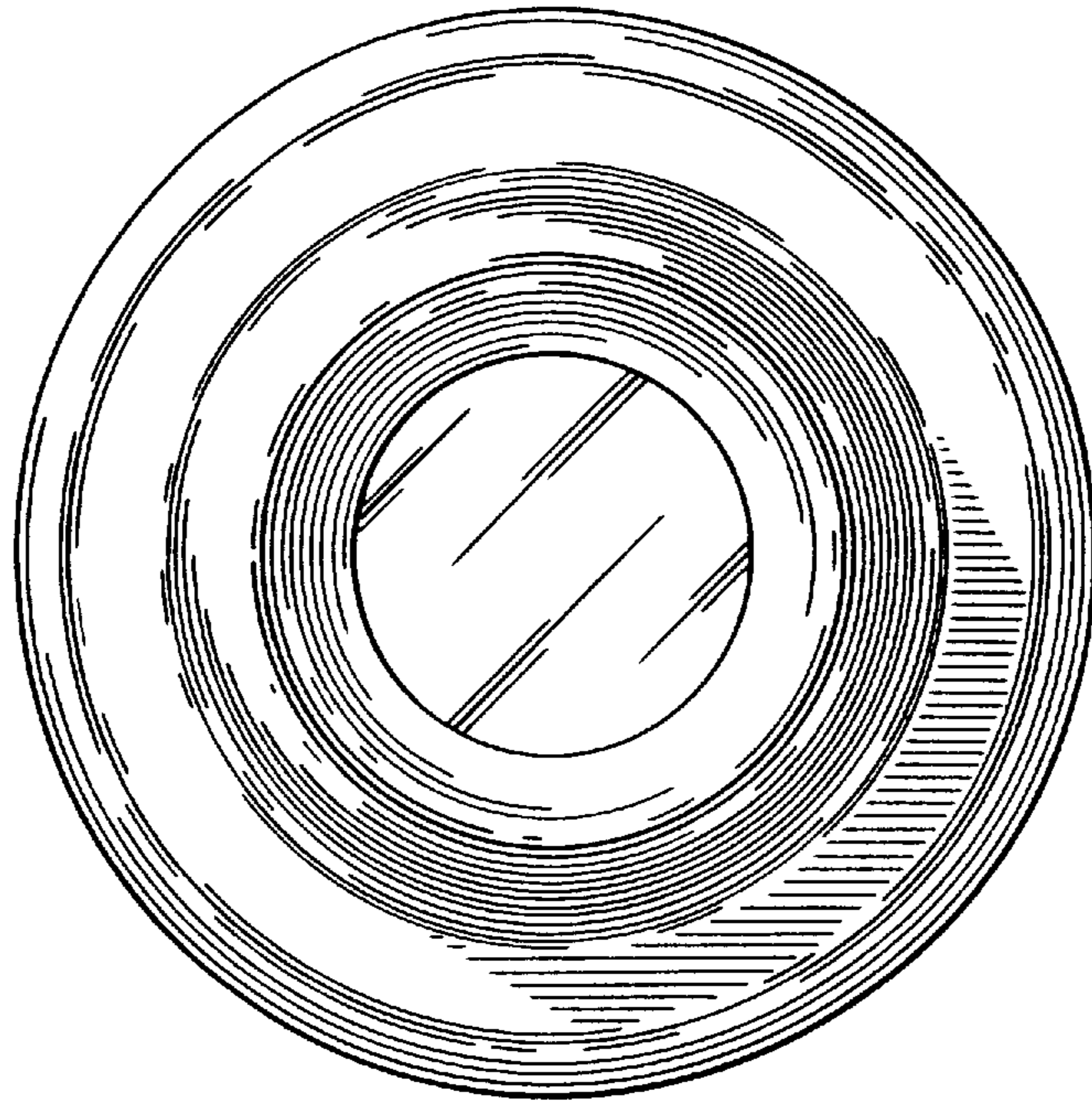


FIG. 4

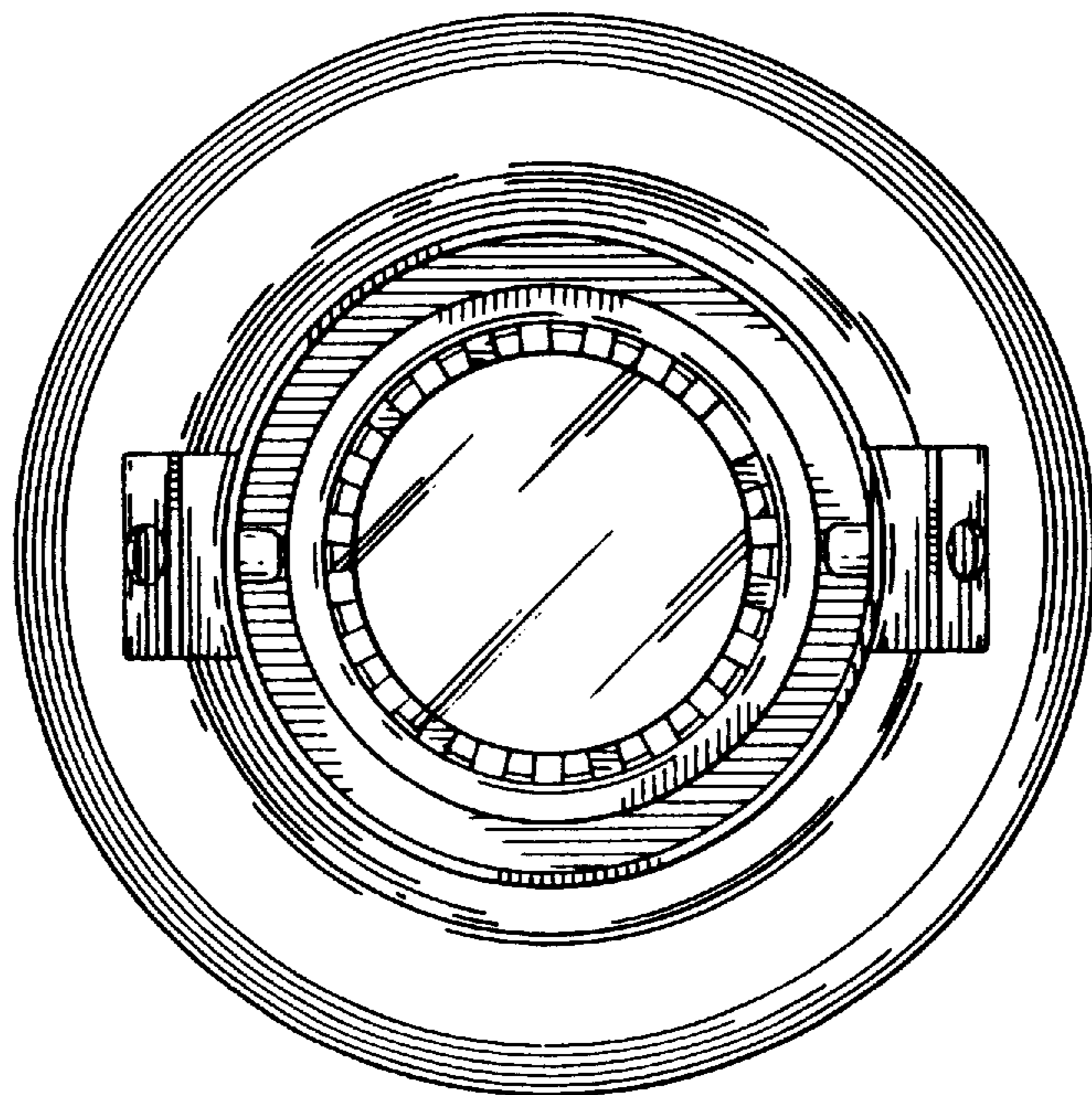


FIG. 5