



US00D407520S

United States Patent [19]
Dolan

[11] **Patent Number: Des. 407,520**

[45] **Date of Patent: **Mar. 30, 1999**

[54] **CHANDELIER**

[76] Inventor: **Patrick S. Dolan**, 1901 NW. Upshur,
Portland, Oreg. 97209

[**] Term: **14 Years**

[21] Appl. No.: **81,613**

[22] Filed: **Jan. 7, 1998**

[51] **LOC (6) Cl. 26-05**

[52] **U.S. Cl. D26/84**

[58] **Field of Search D26/72, 80-92;**
362/147, 404-408

Mink A-Lavery Lighting 1151 W. Bradford Circle Corona,
CA 91720 Catalog ML95-1 1995 p. 42, Model B5901.

Progress Lighting 101 Corporate Drive Ste 'L' Spartanburg,
SC 29303 Catalog 96-97 p. 21, Model P4149.

Forecast Lighting 415 W. Walnut Compton, CA 90220
Catalog 1993, Brochure 27340 p. 20, Model DS 348-44.

As Seen in Residential Lighting Magazine 400 Knights-
bridge Pkwy Lincolnshire IL 60069 Jun. 1996 p. 94, Quoizel
Ad, Circa 240.

Primary Examiner—Susan J. Lucas

[57] **CLAIM**

The ornamental design for a chandelier, as shown and
described.

[56] **References Cited**

U.S. PATENT DOCUMENTS

D. 65,122	7/1924	Klein	D26/81
D. 65,279	7/1924	Klein	D26/84
D. 66,372	1/1925	Klein	D26/84

OTHER PUBLICATIONS

Progress Lighting catalog, p. 21, chandelier #P4214-30, Jul.
1994.

Progress Lighting catalog, p. 26, chandelier, #P4330-14,
Jul. 1944.

DESCRIPTION

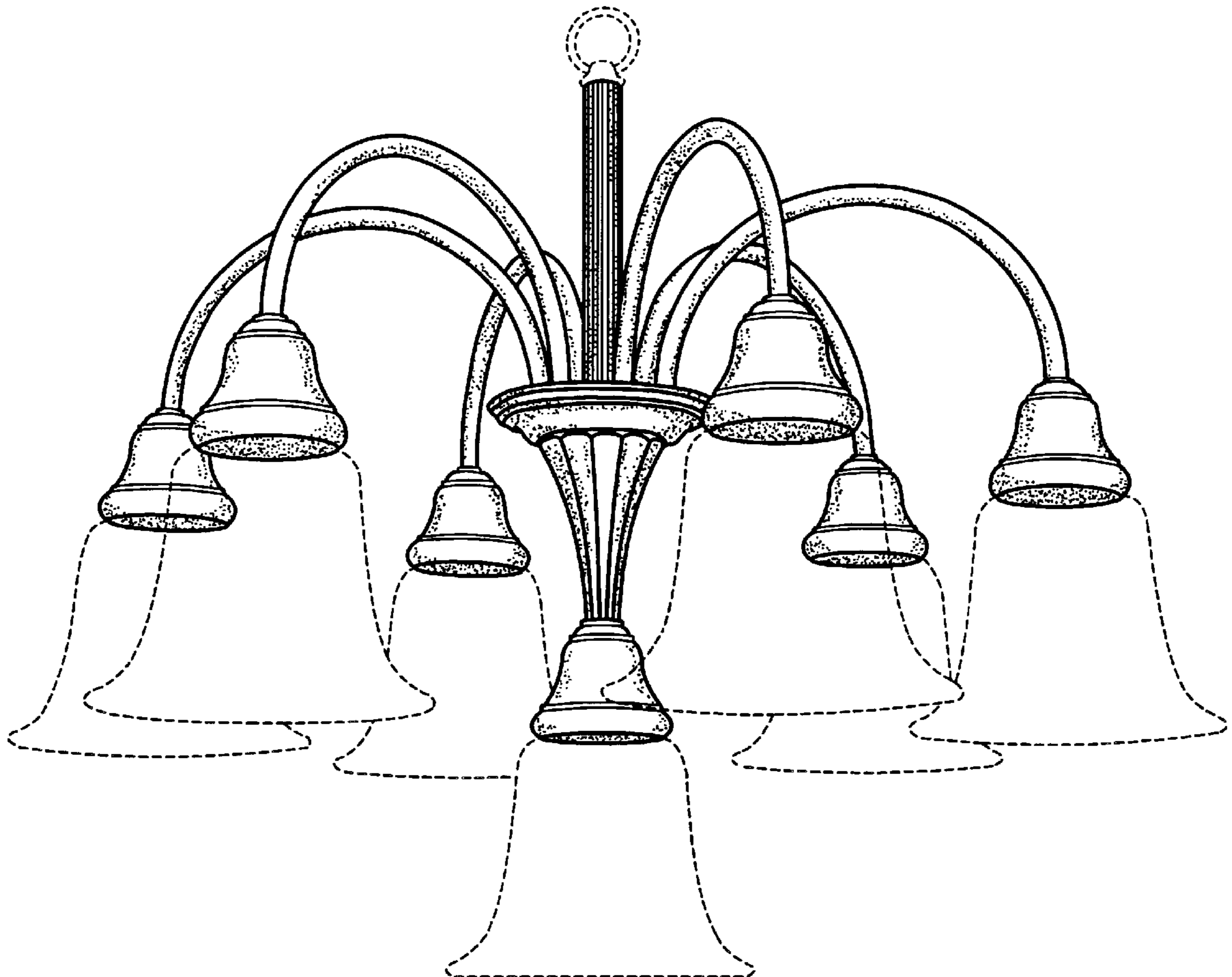
FIG. 1 is a perspective view thereof;
FIG. 2 is an elevational view thereof, all sides being iden-
tical;

FIG. 3 is a top plan view thereof; and,

FIG. 4 is a bottom plan view thereof.

The broken lines are for shown for illustrative purposes only
and form no part of claimed design.

1 Claim, 4 Drawing Sheets



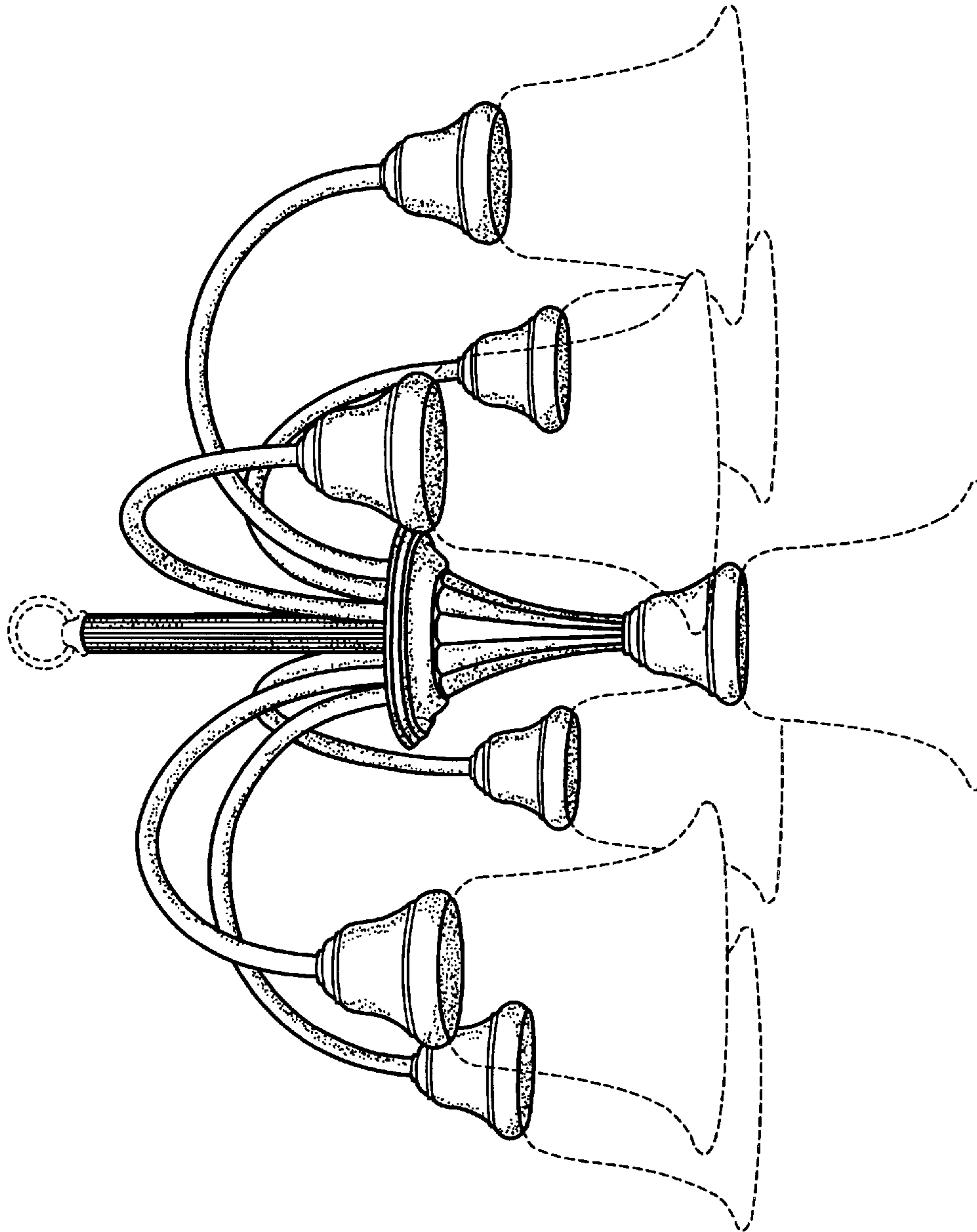


FIG. 1

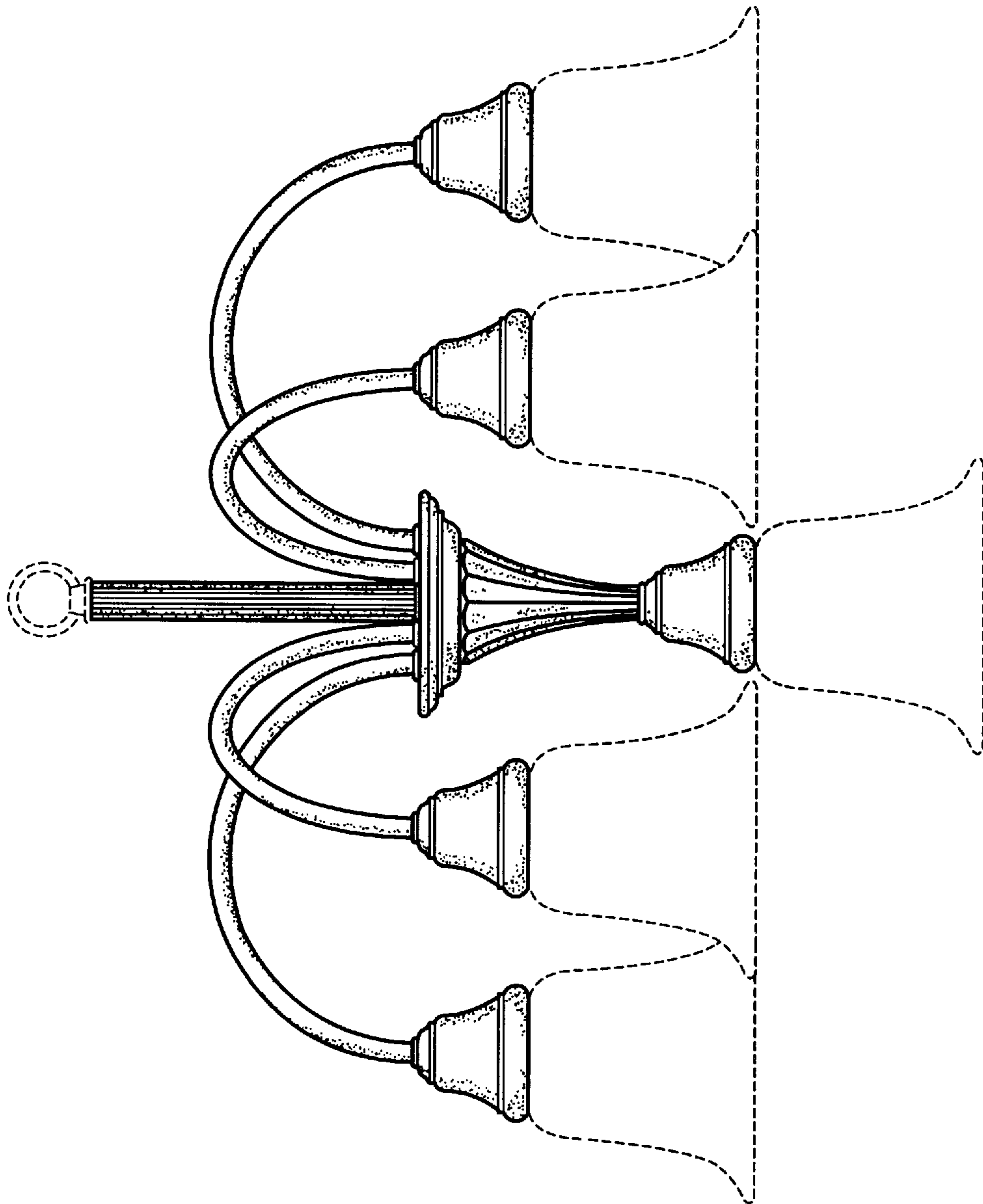


FIG. 2

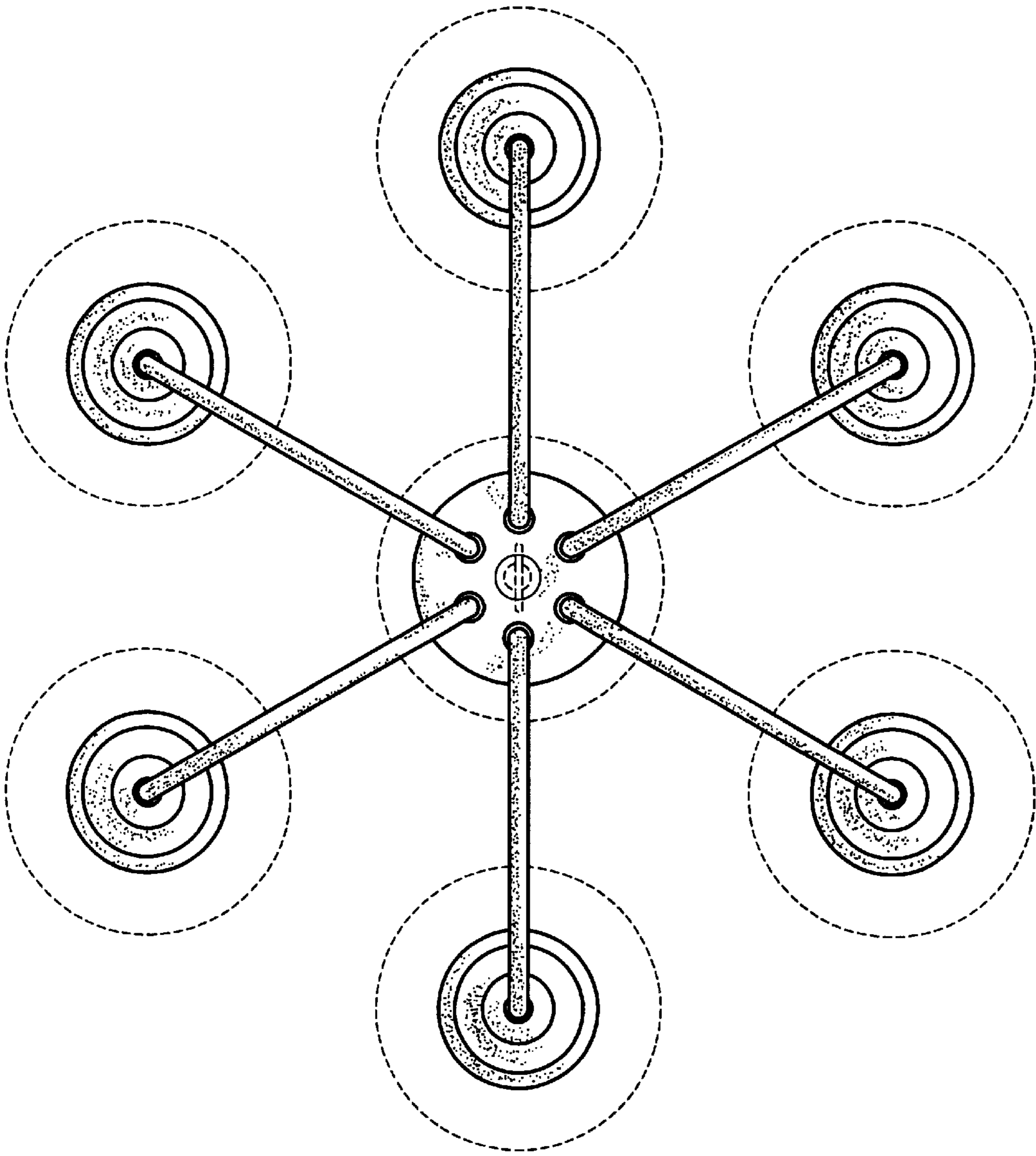


FIG. 3

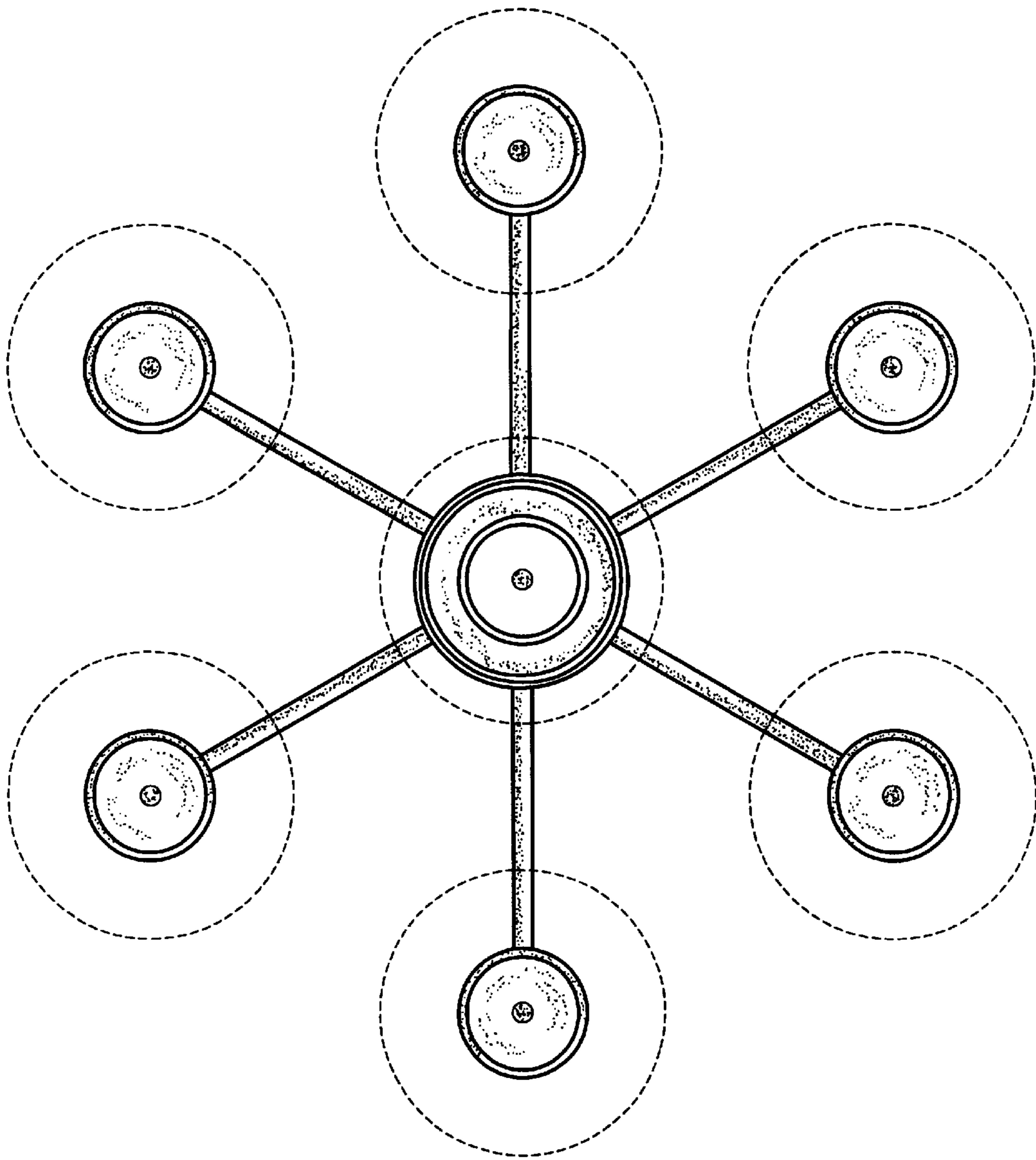


FIG. 4