



US00D407519S

United States Patent [19] Chen

[11] **Patent Number: Des. 407,519**

[45] **Date of Patent: **Mar. 30, 1999**

[54] **ADJUSTABLE DESK LAMP**

[75] Inventor: **Meiric Chen**, Taipei Hsien, Taiwan

[73] Assignee: **Seed Lighting Design Co., Ltd.**, Taipei Hsien, Taiwan

[**] Term: **14 Years**

[21] Appl. No.: **87,643**

[22] Filed: **May 6, 1998**

[30] **Foreign Application Priority Data**

Oct. 7, 1997 [TW] Taiwan 86308721

[51] **LOC (6) Cl.** **26-05**

[52] **U.S. Cl.** **D26/64**

[58] **Field of Search** D26/60-66, 93,
D26/102, 106; 362/267, 275, 285, 287,
410-414, 418, 419, 427

[56] **References Cited**

U.S. PATENT DOCUMENTS

D. 300,876 4/1989 Sakai D26/107
5,655,833 8/1997 Racznski 362/419

OTHER PUBLICATIONS

Light Source Inc. catalog, p. 15, floor lamp #LS-961, Aug. 1995.

Primary Examiner—Susan J. Lucas

Attorney, Agent, or Firm—Pro-Techtor International Services

[57] **CLAIM**

The ornamental design for an adjustable desk lamp, as shown and described.

DESCRIPTION

FIG. 1 is a perspective view of a adjustable desk lamp according to my new design;

FIG. 2 is the front elevational view thereof;

FIG. 3 is the rear elevational view thereof;

FIG. 4 is the top plan view thereof;

FIG. 5 is the bottom plan view thereof;

FIG. 6 is the left side elevational view thereof;

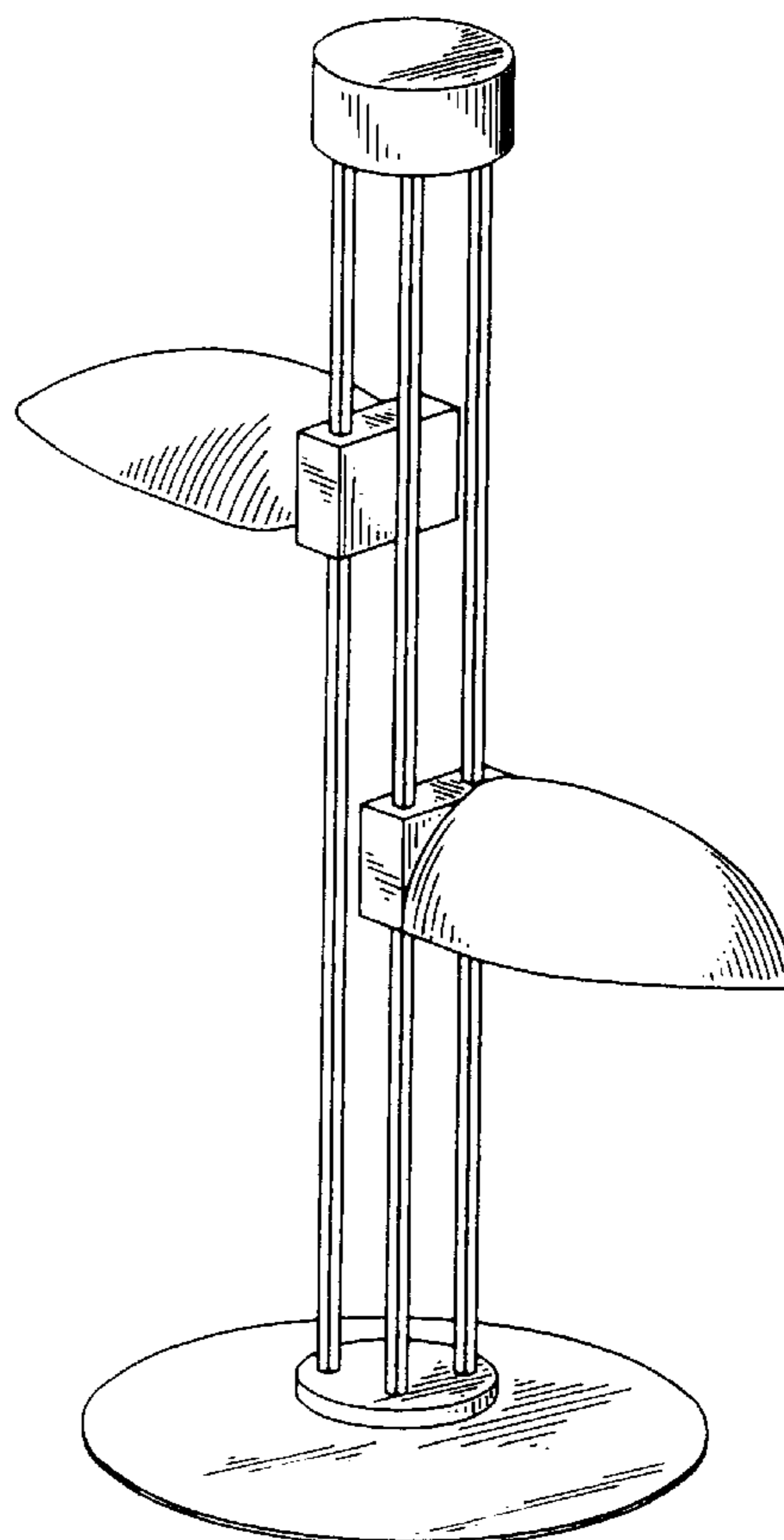
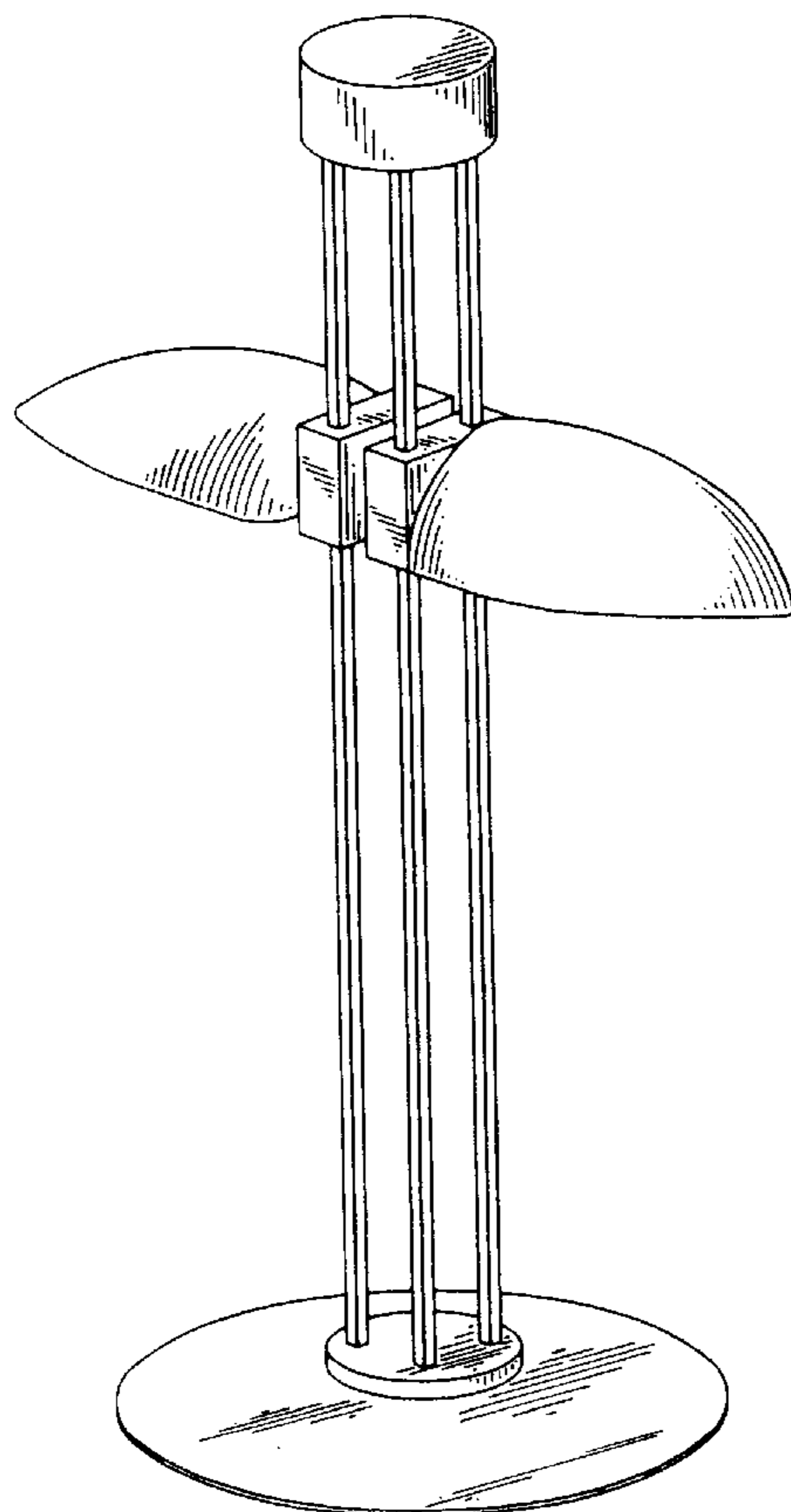
FIG. 7 is the right side elevational view thereof;

FIG. 8 is a perspective view thereof with the lamps in alternate positions;

FIG. 9 is a second perspective view thereof with the lamps in alternate positions; and,

FIG. 10 is a third perspective view with the lamps in alternate positions.

1 Claim, 6 Drawing Sheets



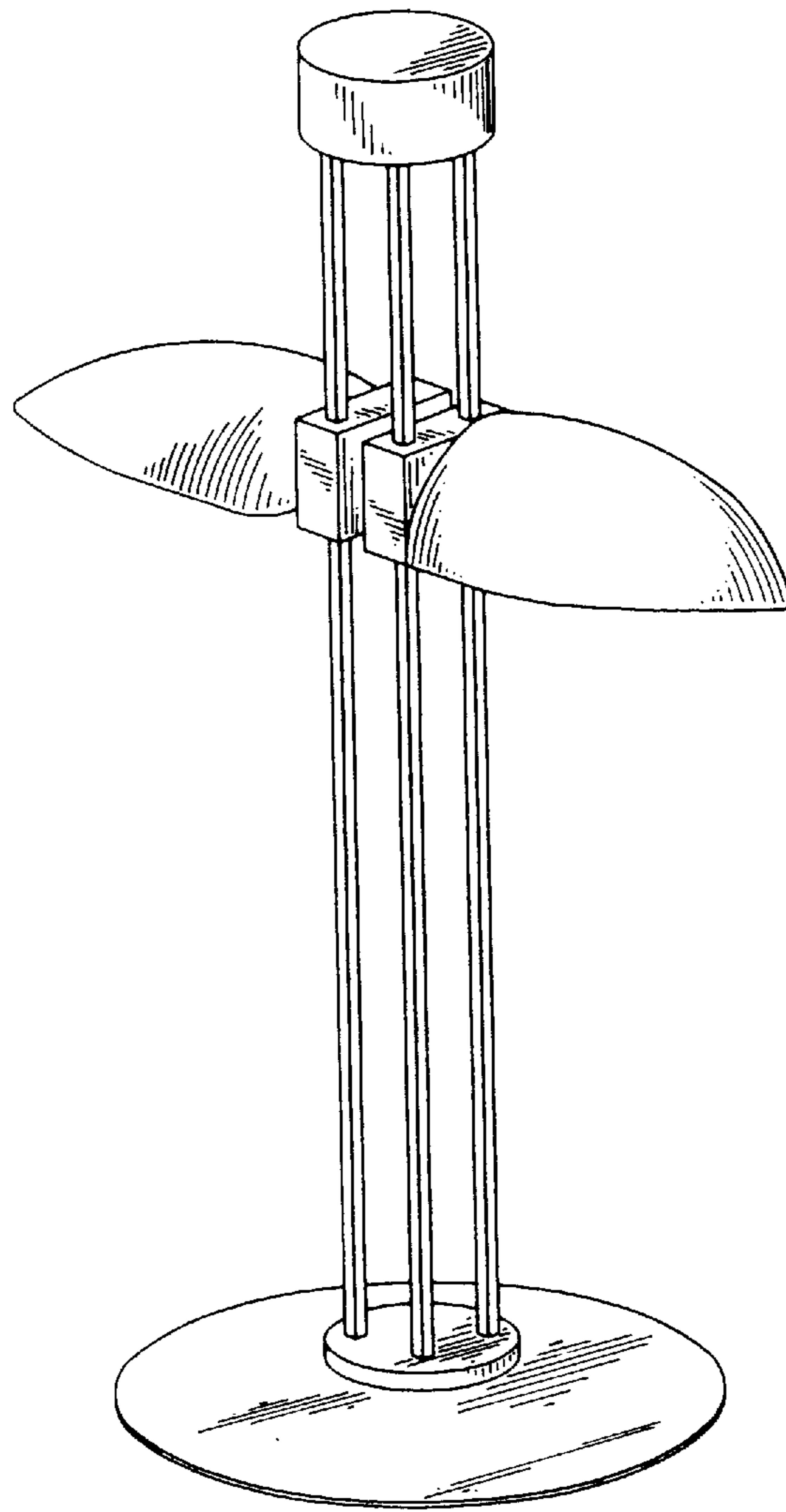


FIG. 1

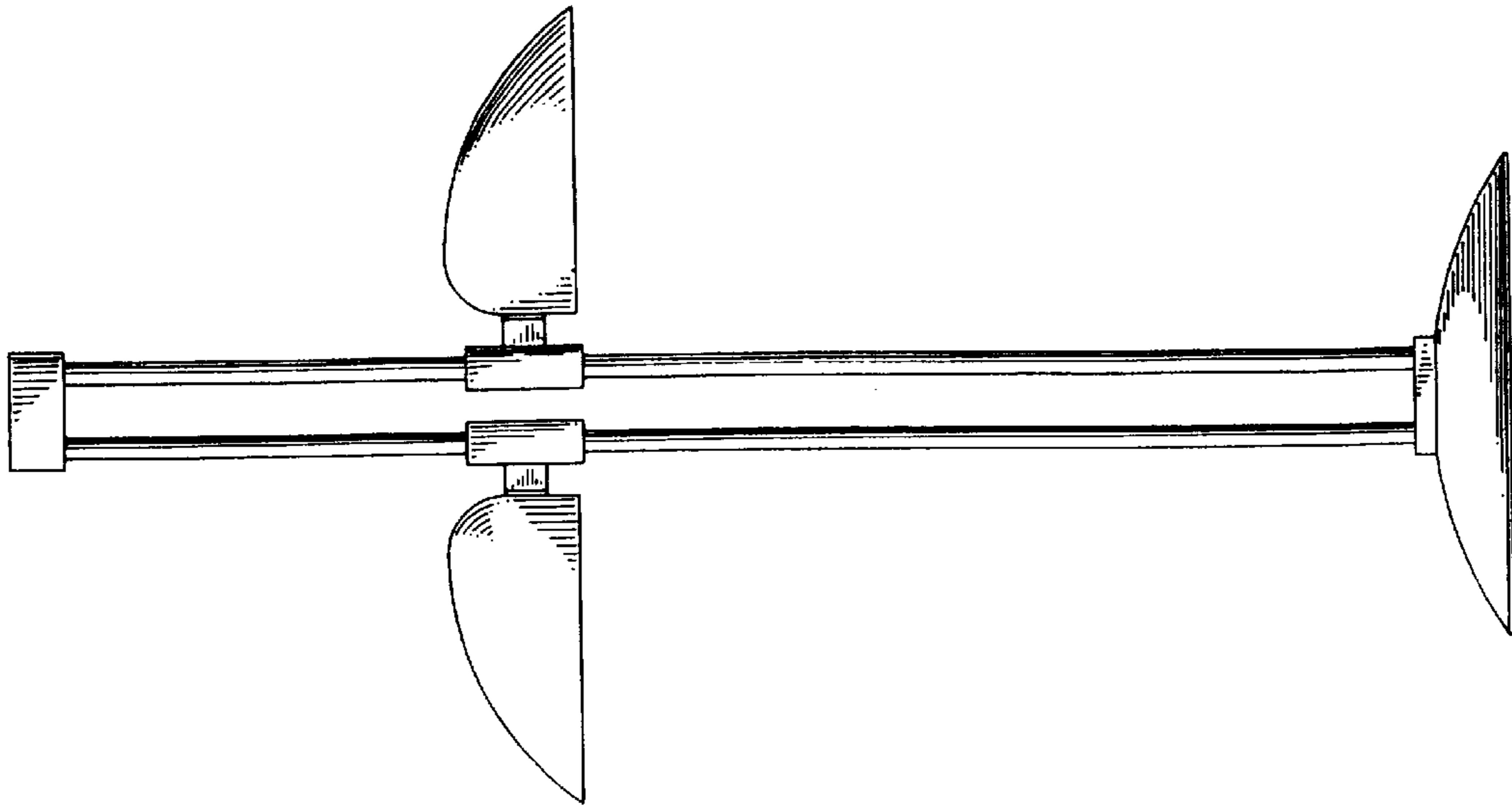


FIG. 3

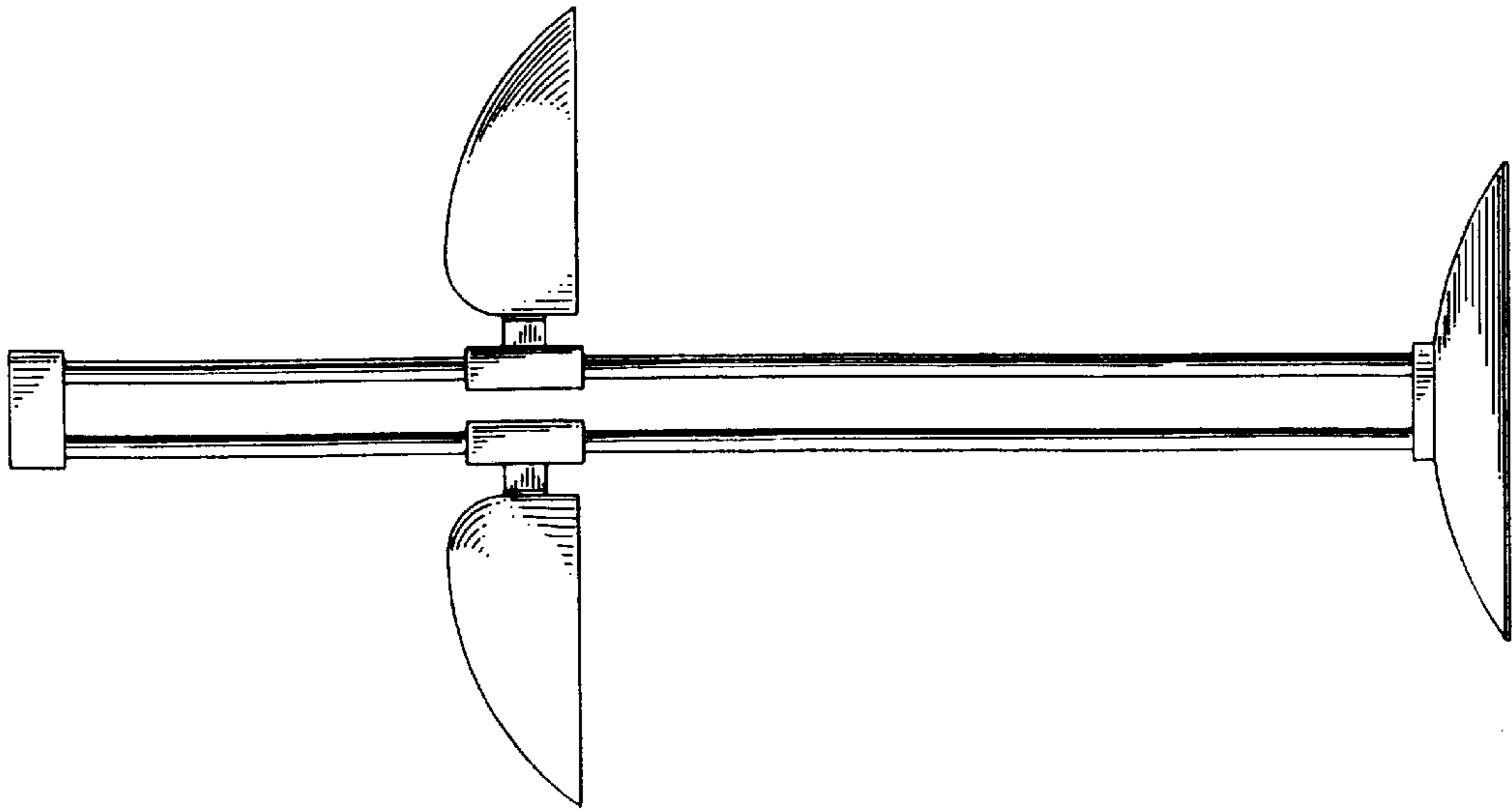


FIG. 2

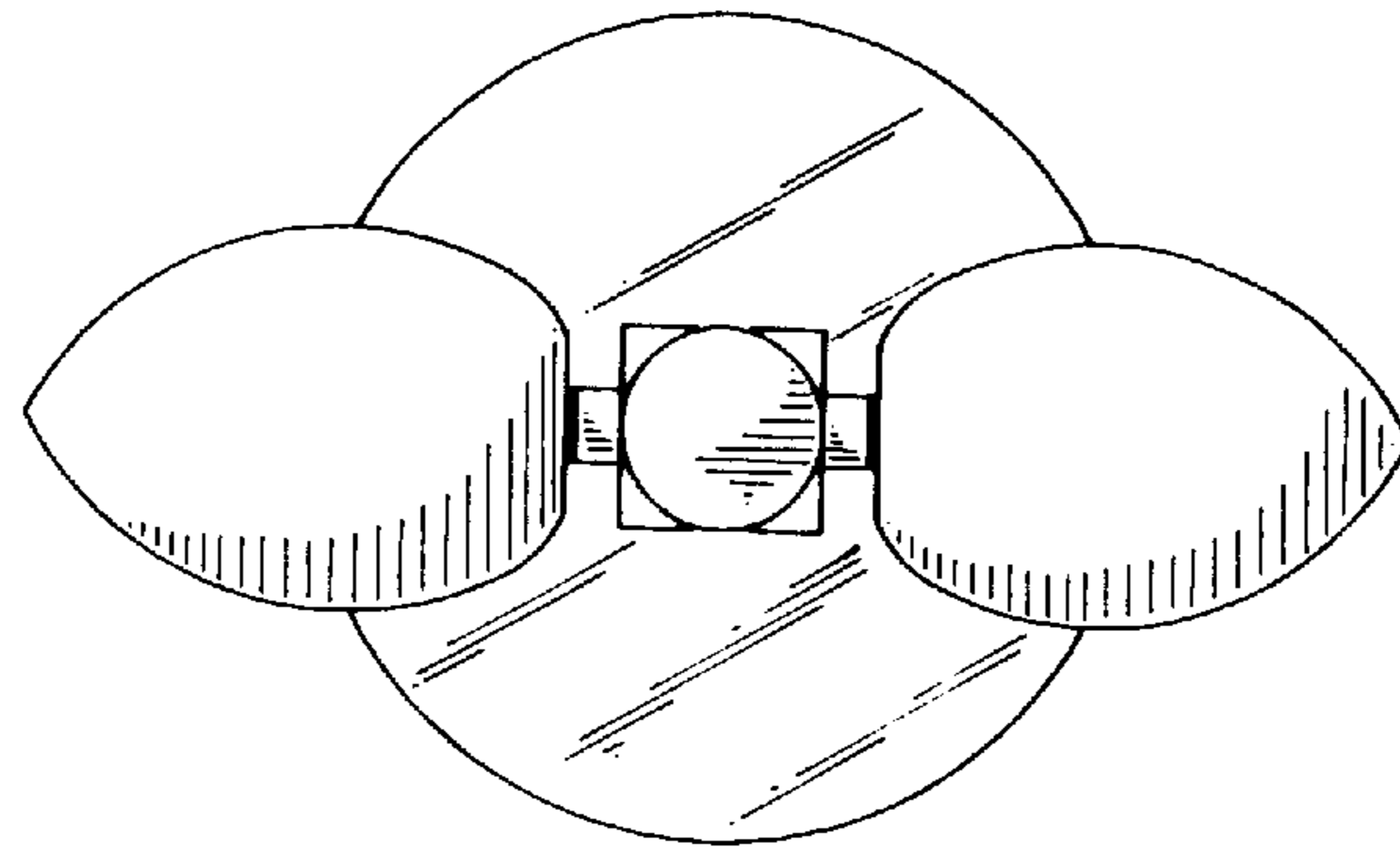


FIG. 4

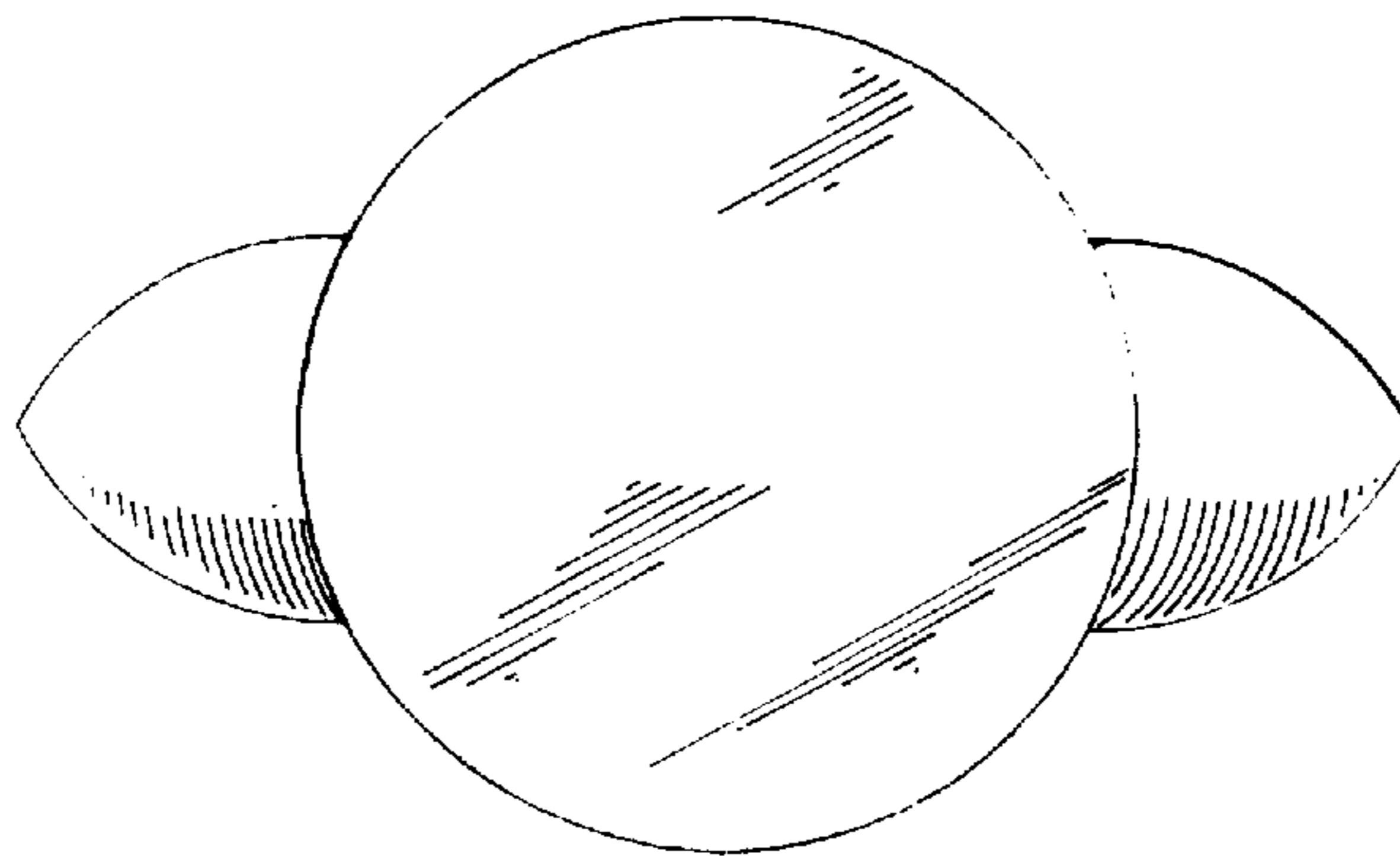


FIG. 5

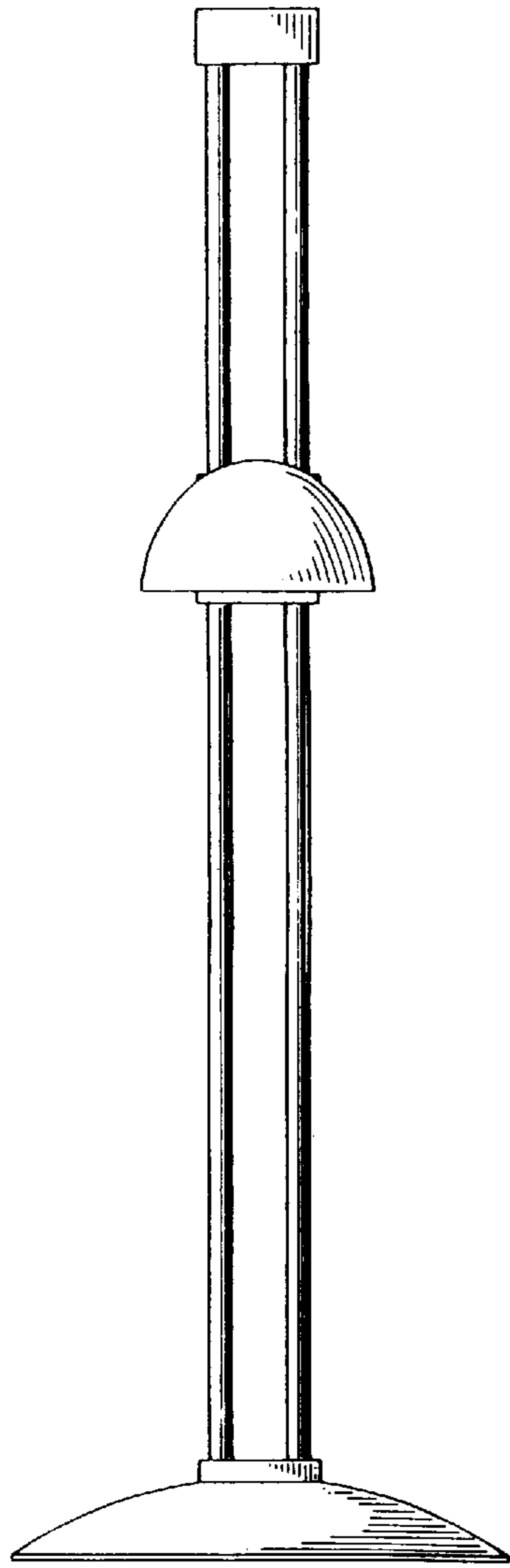


FIG. 6

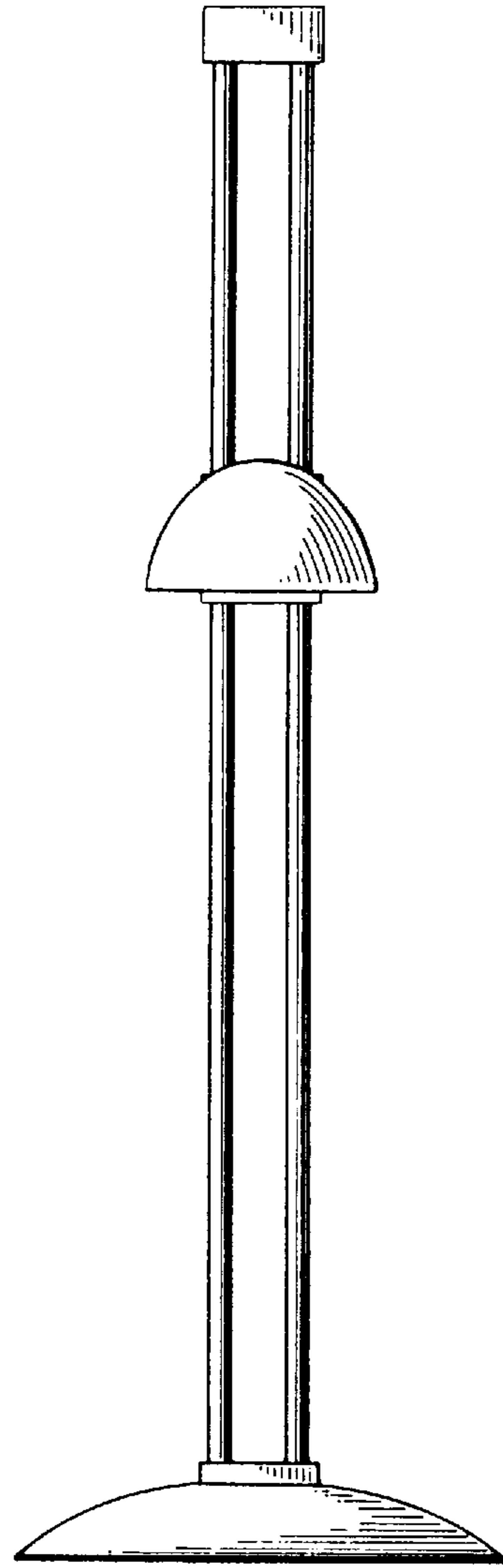


FIG. 7

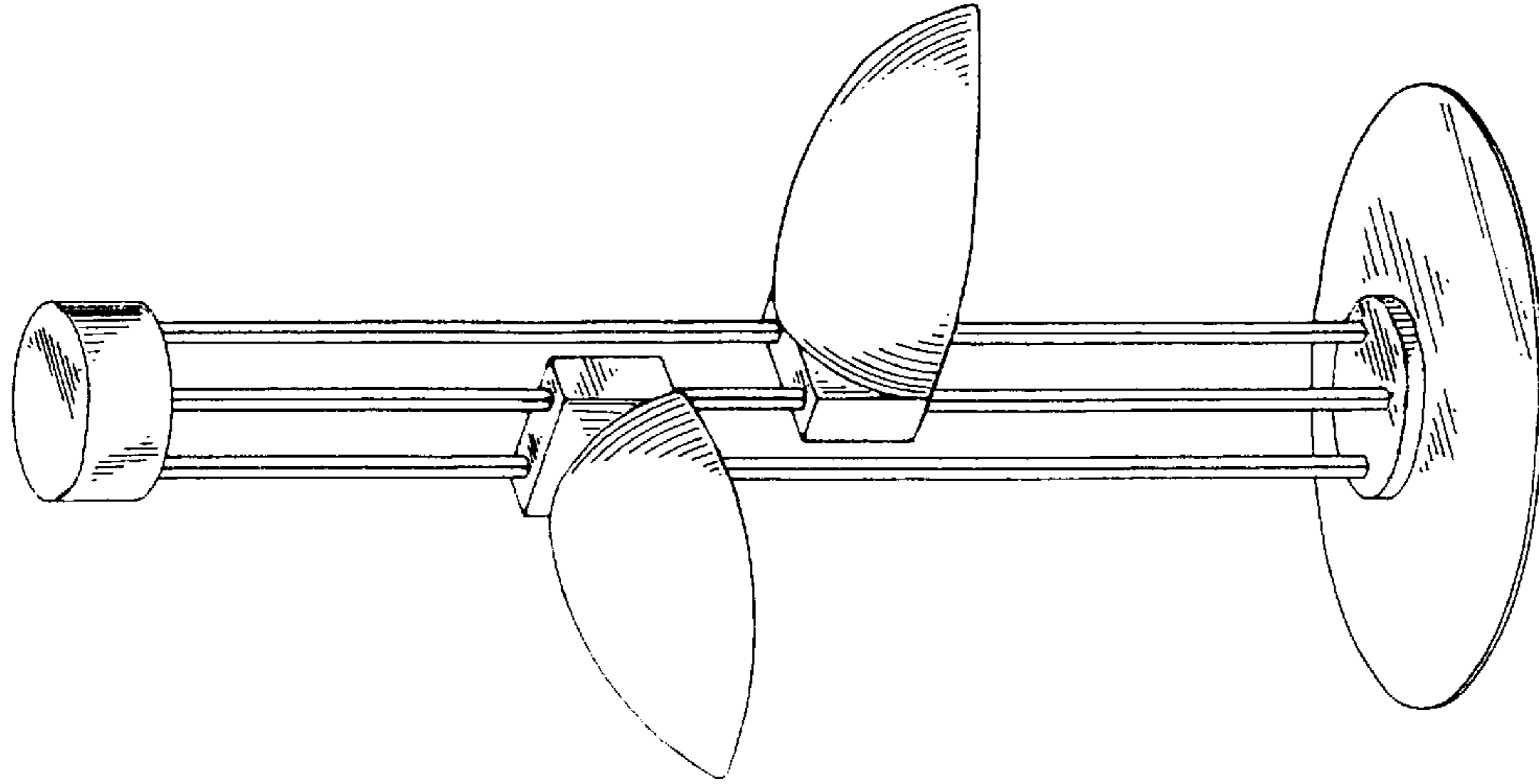


FIG. 9

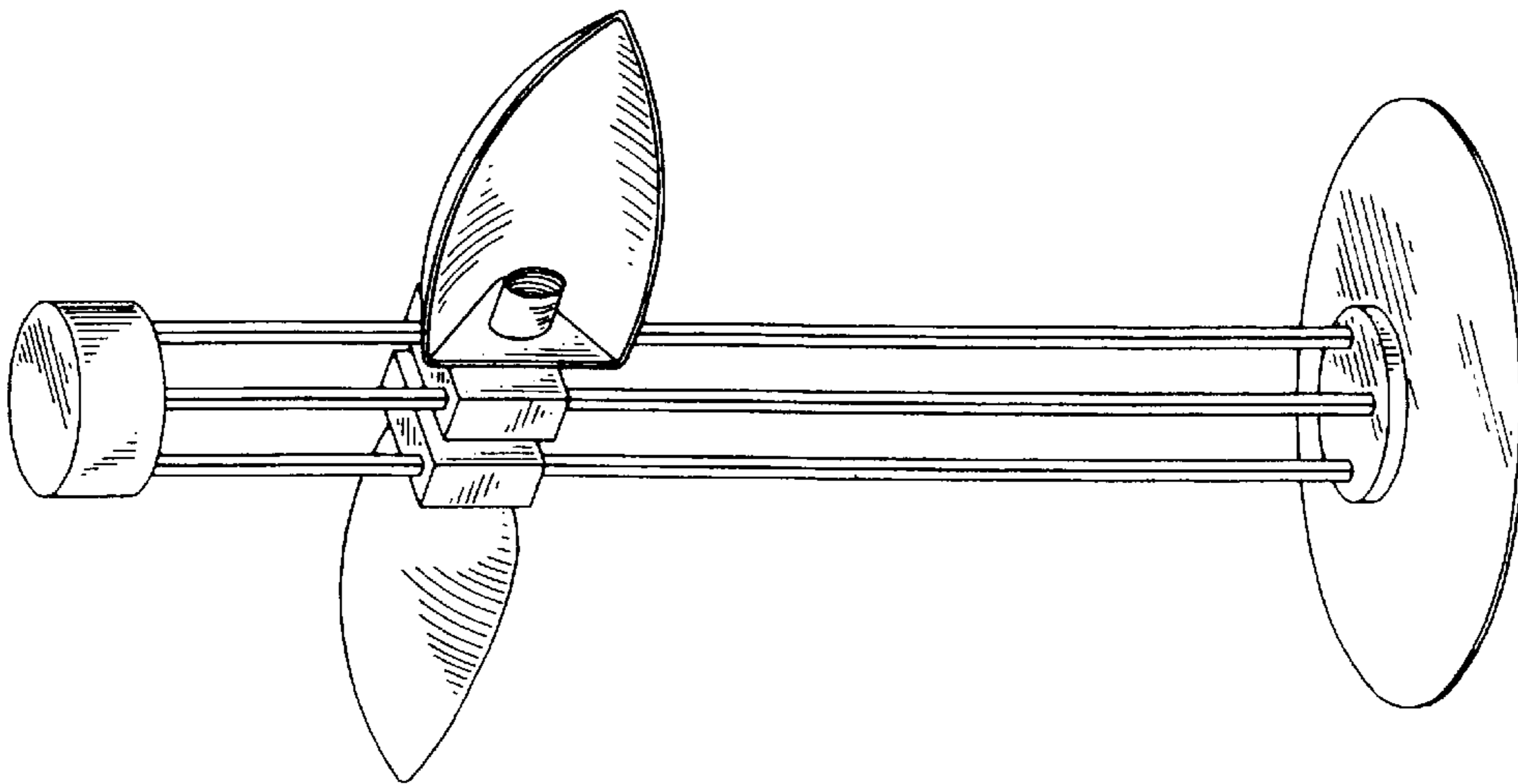


FIG. 8

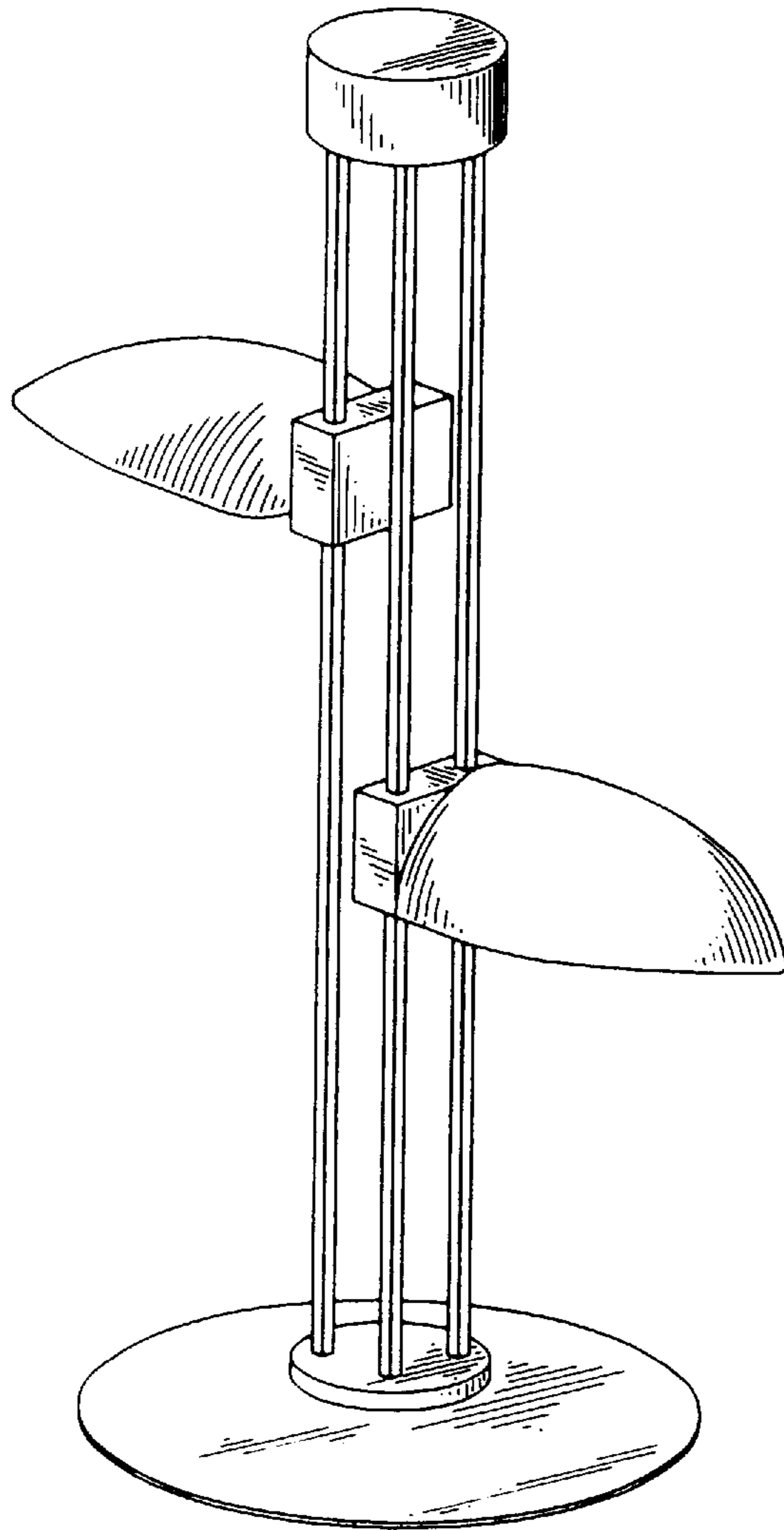


FIG. 10