



US00D407517S

United States Patent [19]
Zeller

[11] **Patent Number: Des. 407,517**
[45] **Date of Patent: **Mar. 30, 1999**

[54] **BOOK LIGHT**

4,598,340 7/1986 Dwosh et al. 362/98

[76] Inventor: **Noel E. Zeller**, c/o Zelco Industries,
Inc. 65 Haven Ave., Mount Vernon,
N.Y. 10553

Primary Examiner—Susan J. Lucas
Attorney, Agent, or Firm—Donald S. Dowden; Cooper &
Dunham LLP

[**] Term: **14 Years**

[57] **CLAIM**

[21] Appl. No.: **88,389**

The ornamental design for a book light, as shown and
described.

[22] Filed: **May 14, 1998**

DESCRIPTION

Related U.S. Application Data

[62] Division of Ser. No. 74,193, Jul. 28, 1997, Pat. No. Des.
395,723.

FIG. 1 is a top right front perspective view showing my new
design in an unfolded position;
FIG. 2 is a front view thereof;
FIG. 3 is a right view thereof;
FIG. 4 is a left view thereof;
FIG. 5 is a rear view thereof;
FIG. 6 is a top view thereof;
FIG. 7 is a bottom thereof;
FIG. 8 is a front view thereof in a folded position;
FIG. 9 is a right view thereof;
FIG. 10 is a left view thereof;
FIG. 11 is a rear view thereof;
FIG. 12 is a top view thereof; and,
FIG. 13 is a bottom view thereof.

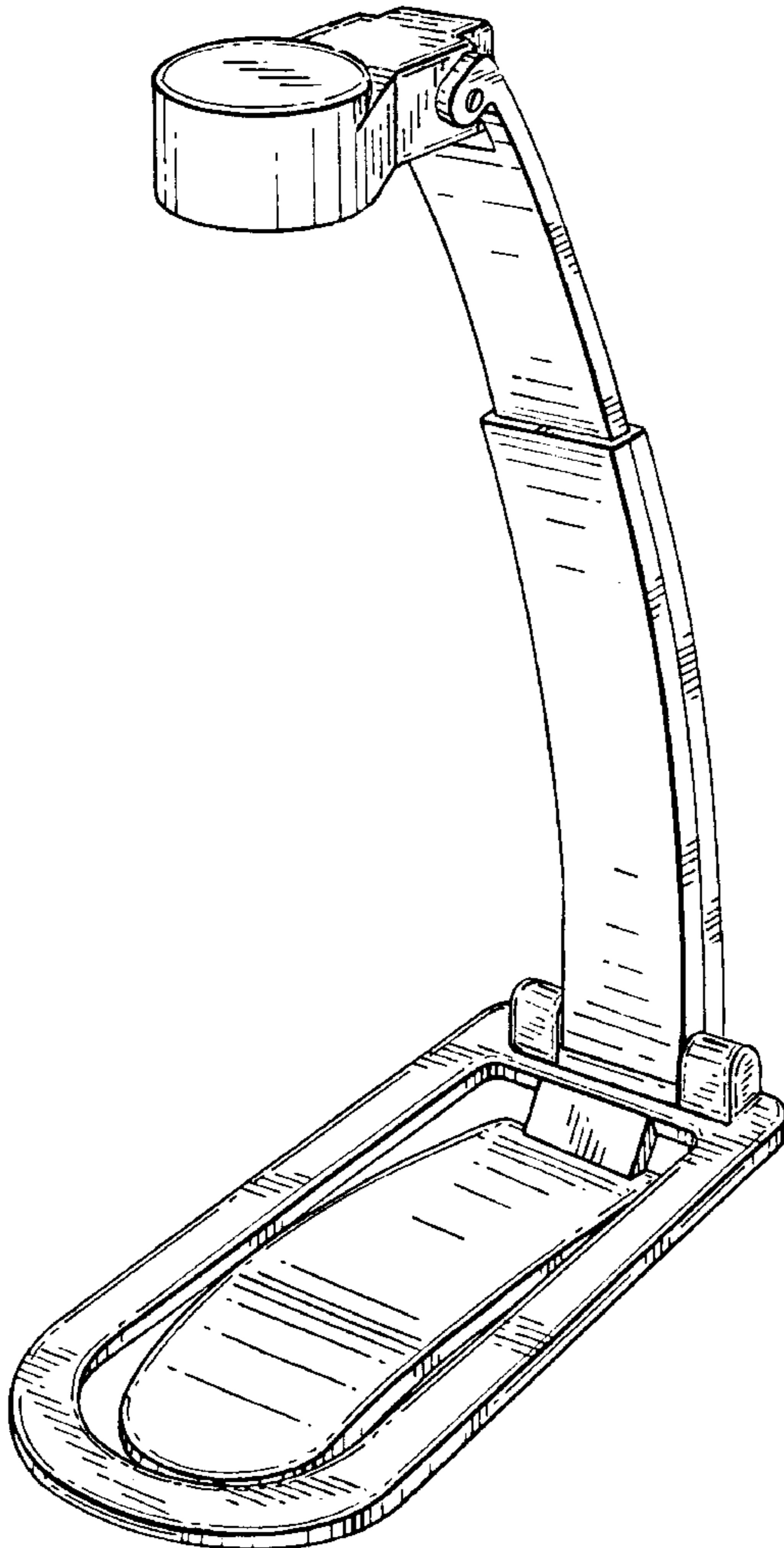
[51] **LOC (6) Cl.** **26-05**
[52] **U.S. Cl.** **D26/60; D26/63**
[58] **Field of Search** D26/60, 63, 61,
D26/65; 362/269, 279, 285, 418, 419, 427,
396, 98, 191

[56] **References Cited**

U.S. PATENT DOCUMENTS

D. 271,526 11/1983 Zeller D26/60
D. 290,519 6/1987 Kuo D26/60

1 Claim, 6 Drawing Sheets



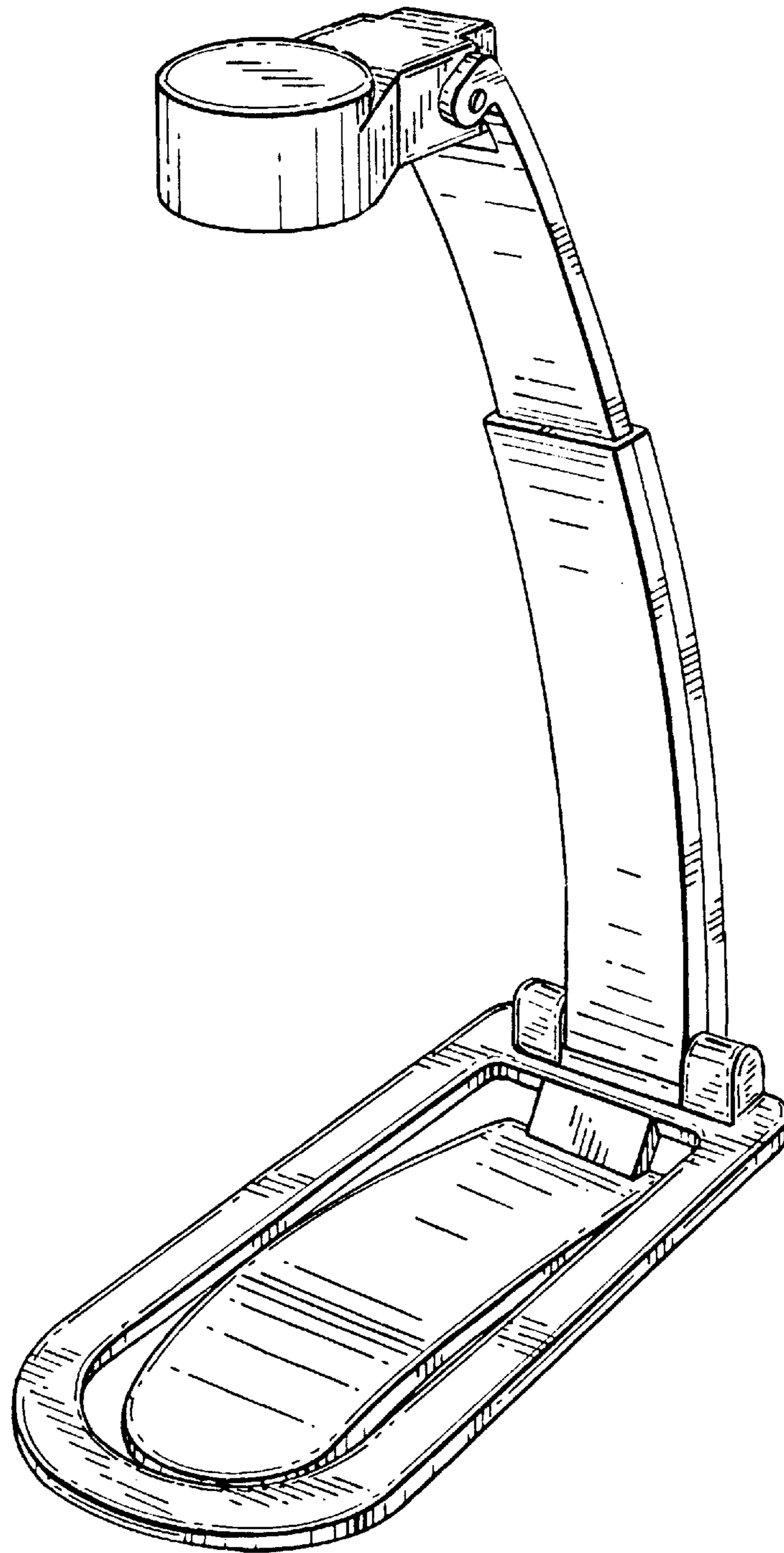


FIG. 1

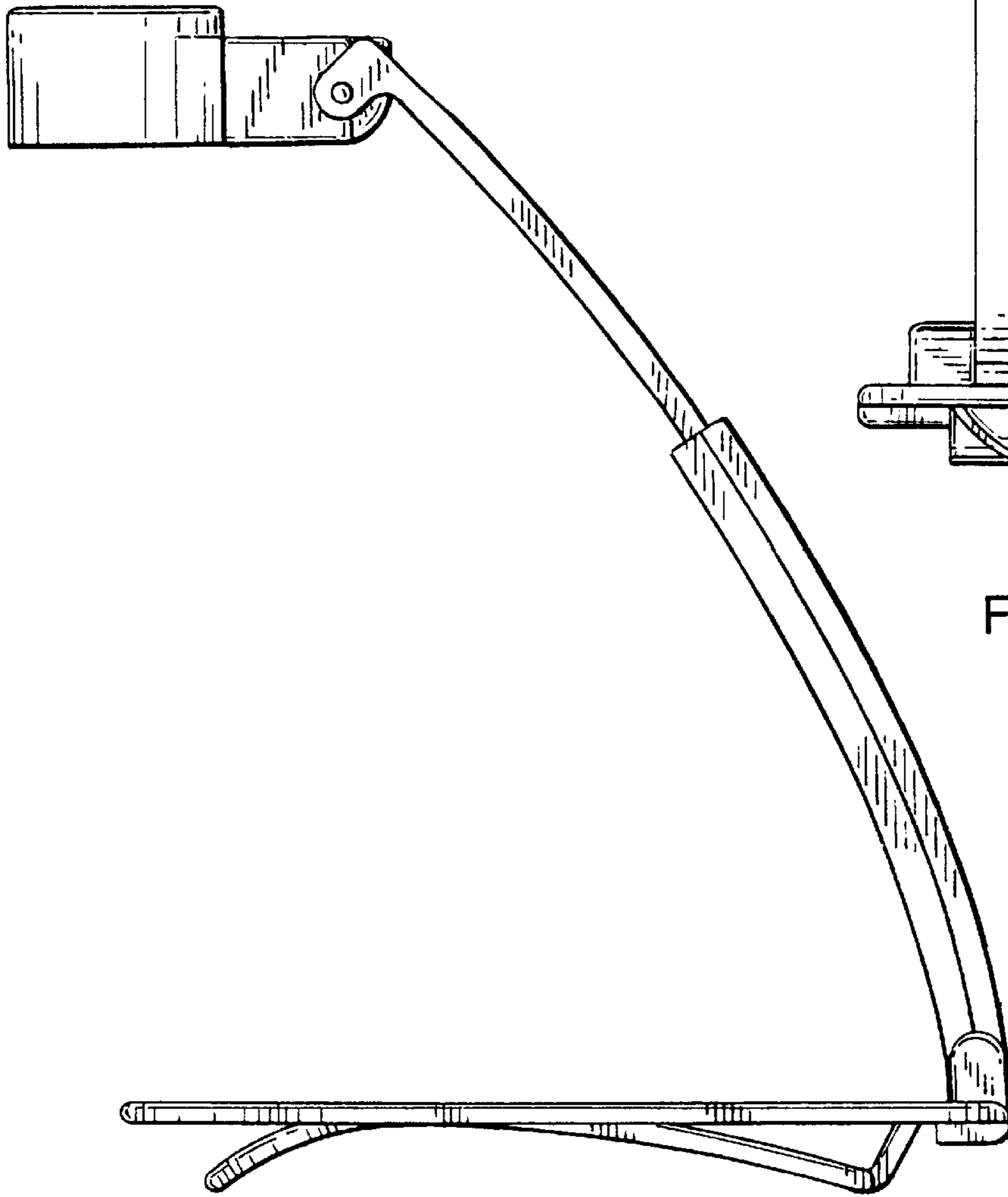


FIG. 3

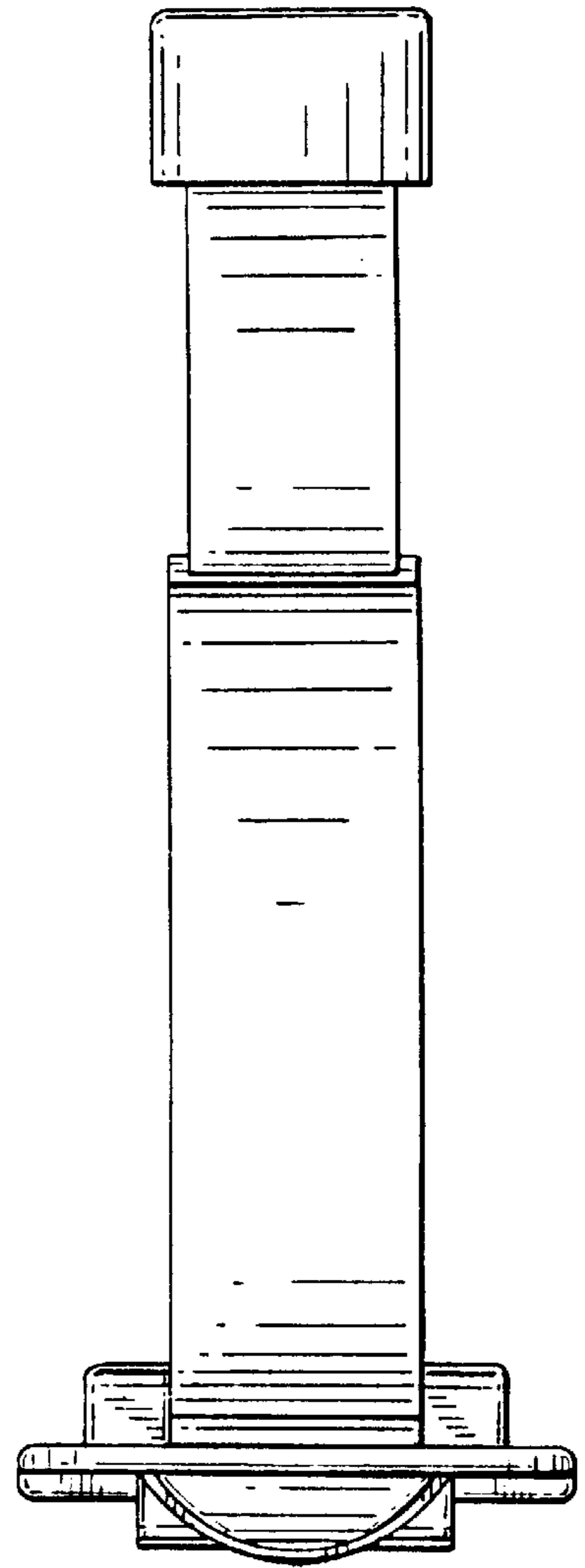


FIG. 2

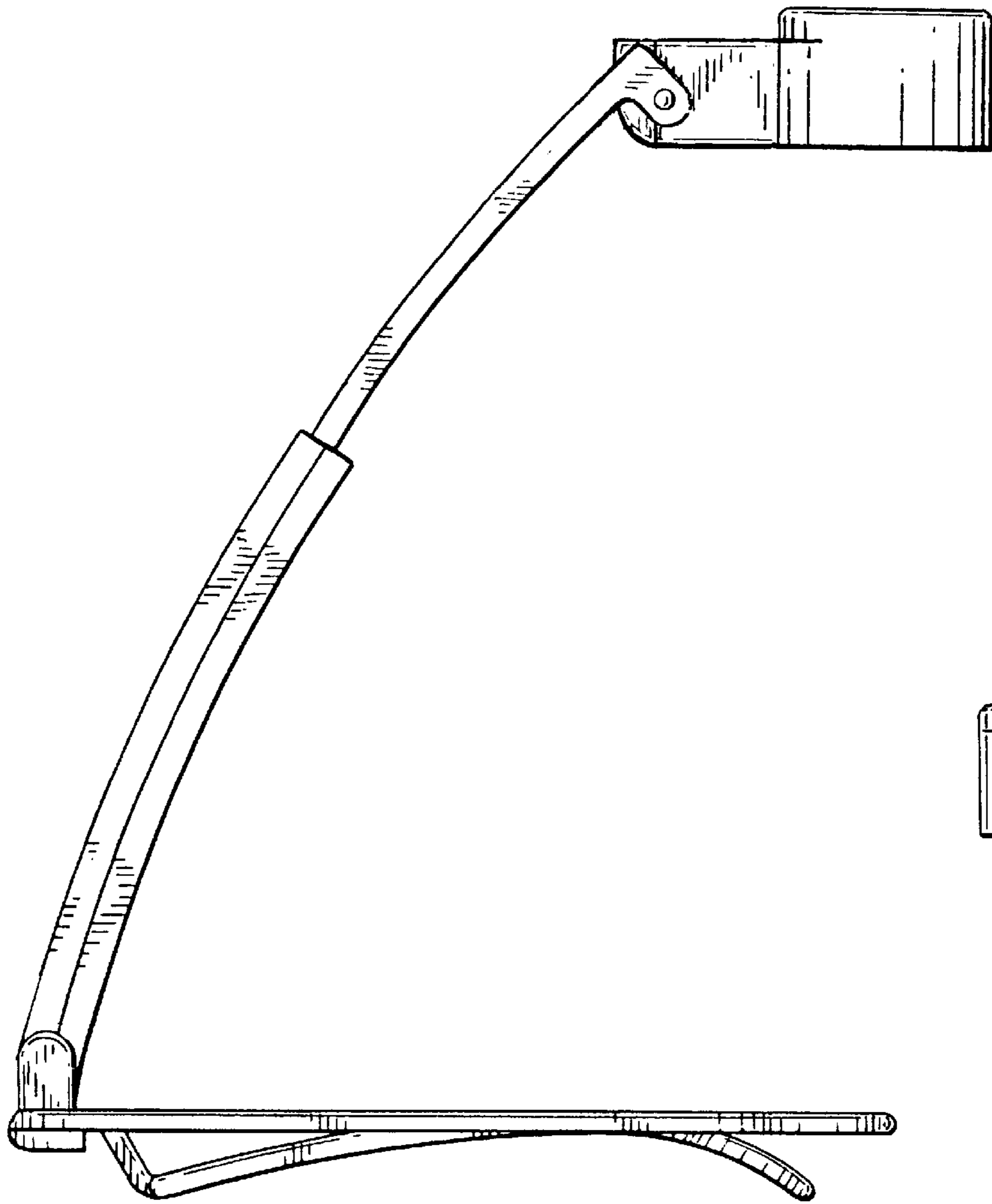


FIG. 4

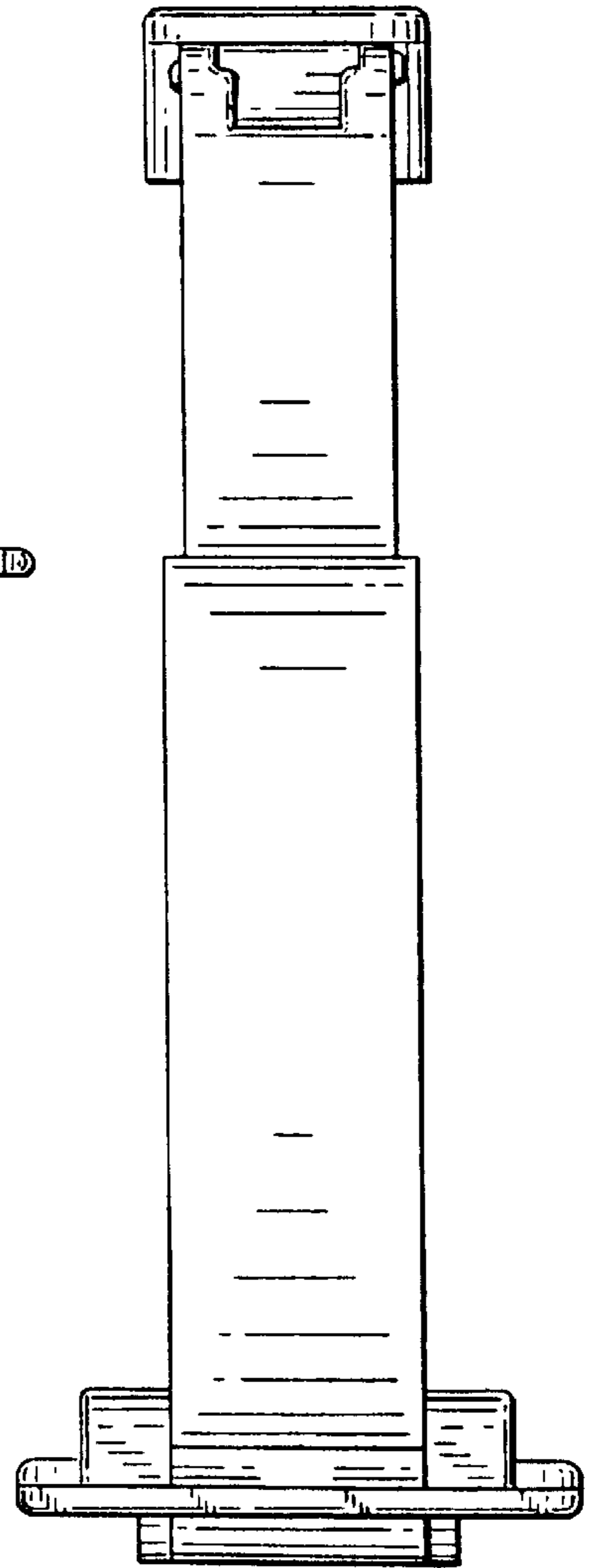


FIG. 5

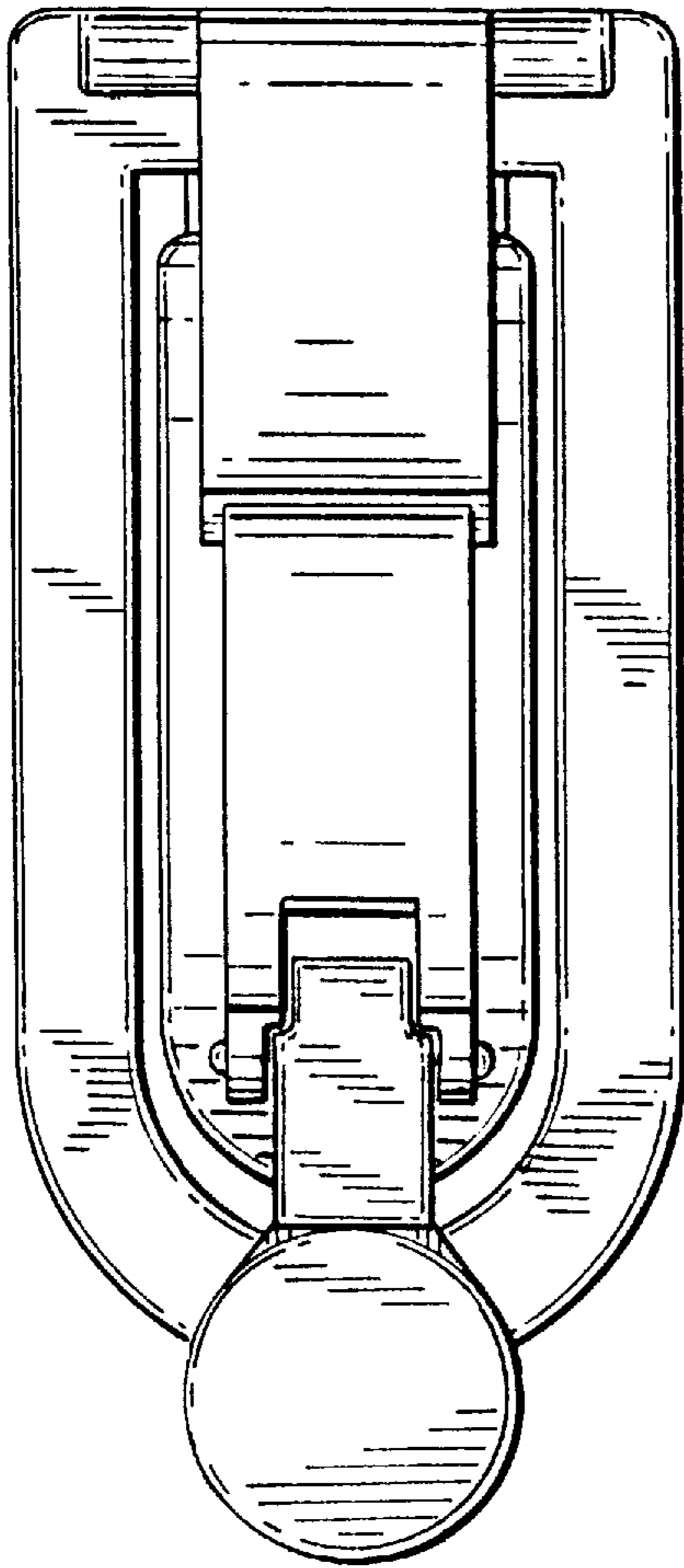


FIG. 6

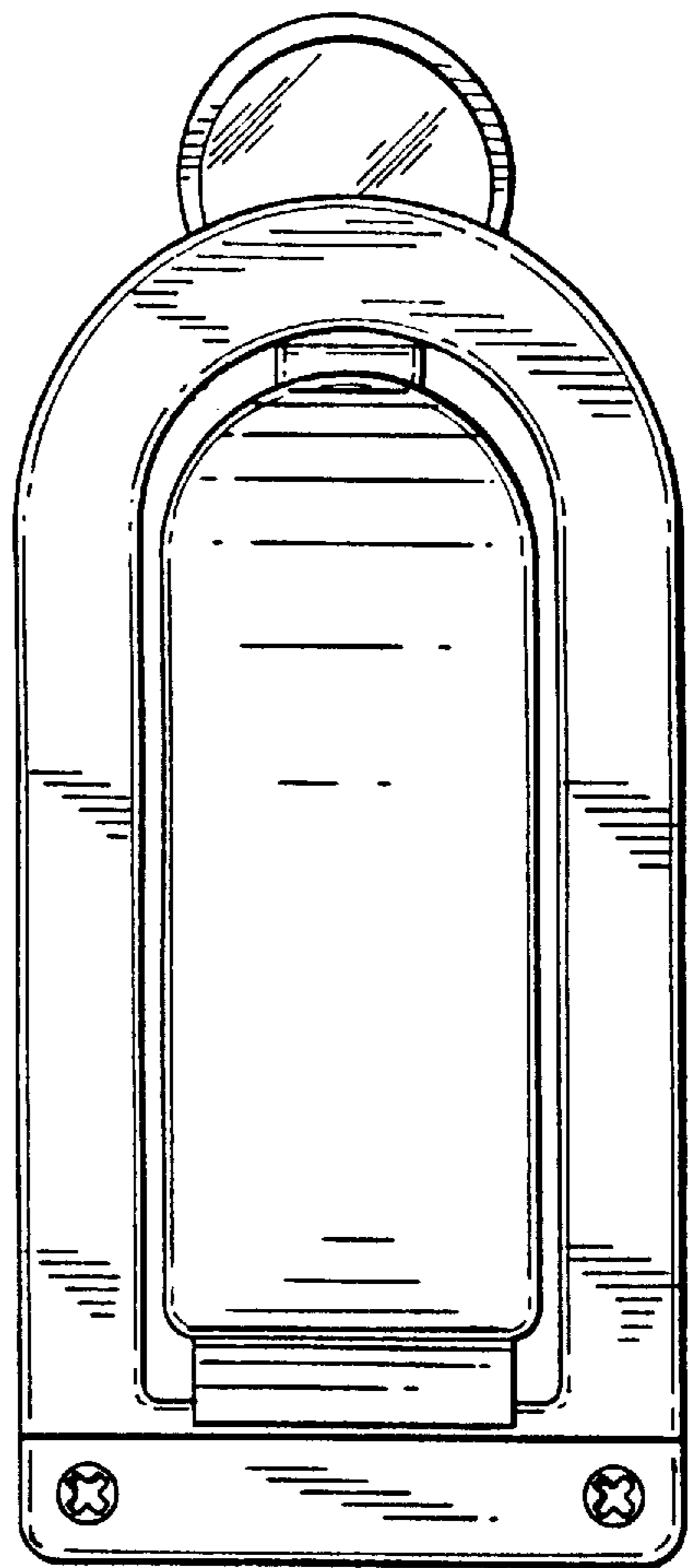


FIG. 7

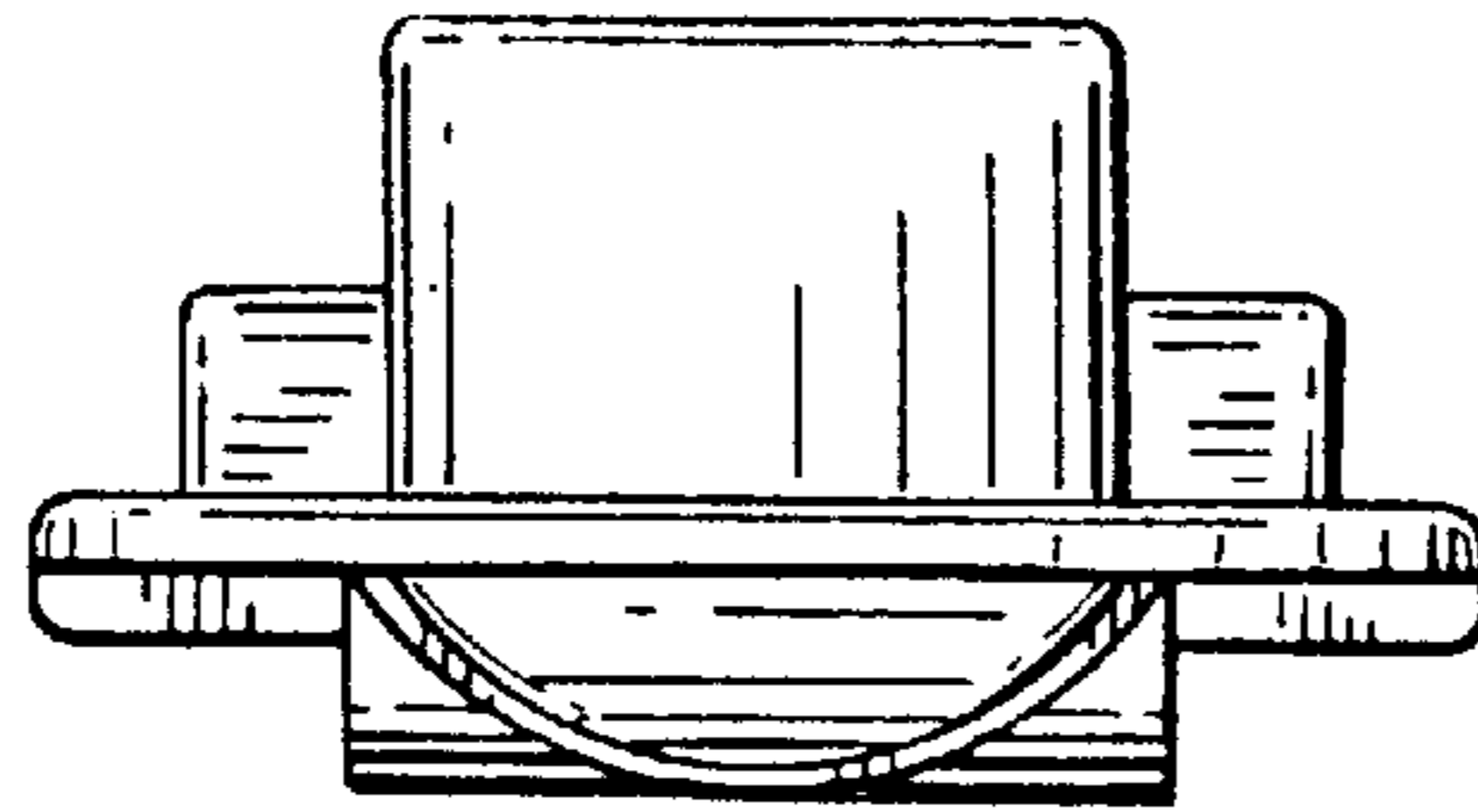


FIG. 8

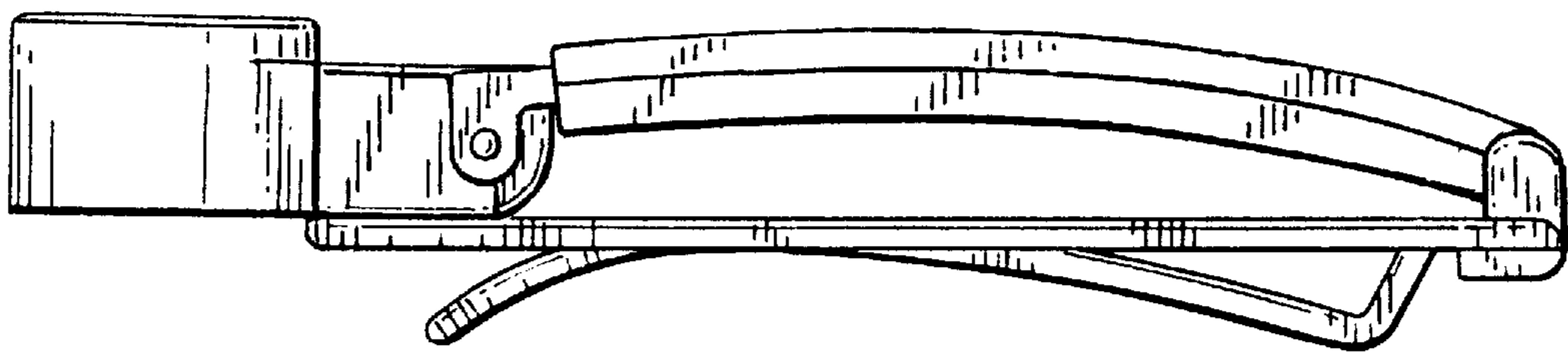


FIG. 9

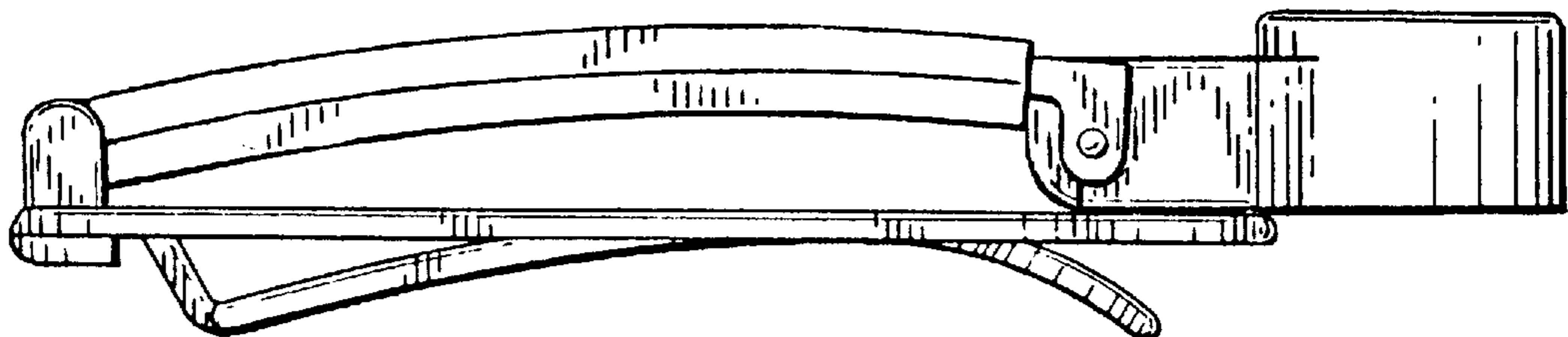


FIG. 10

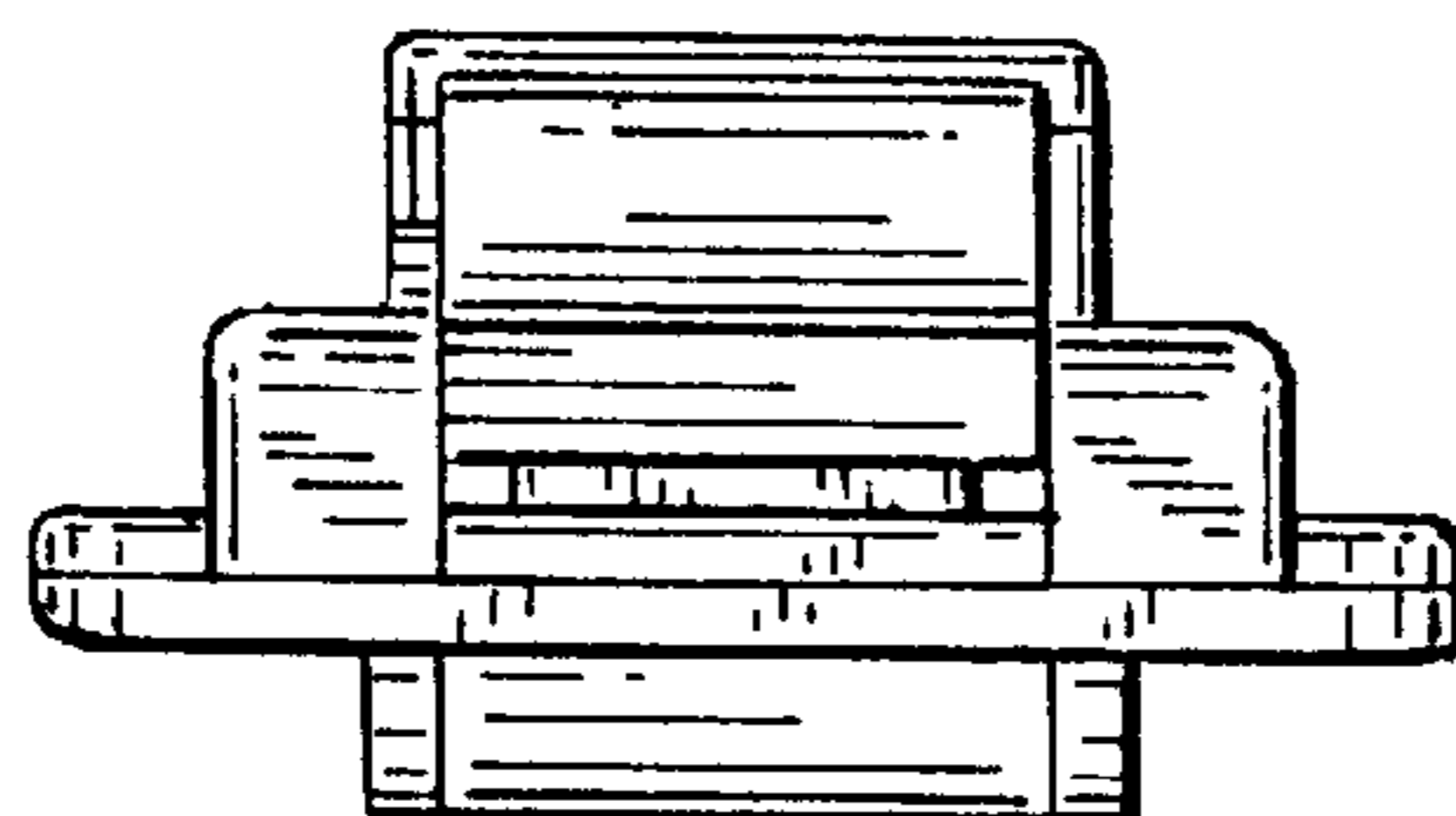


FIG. 11

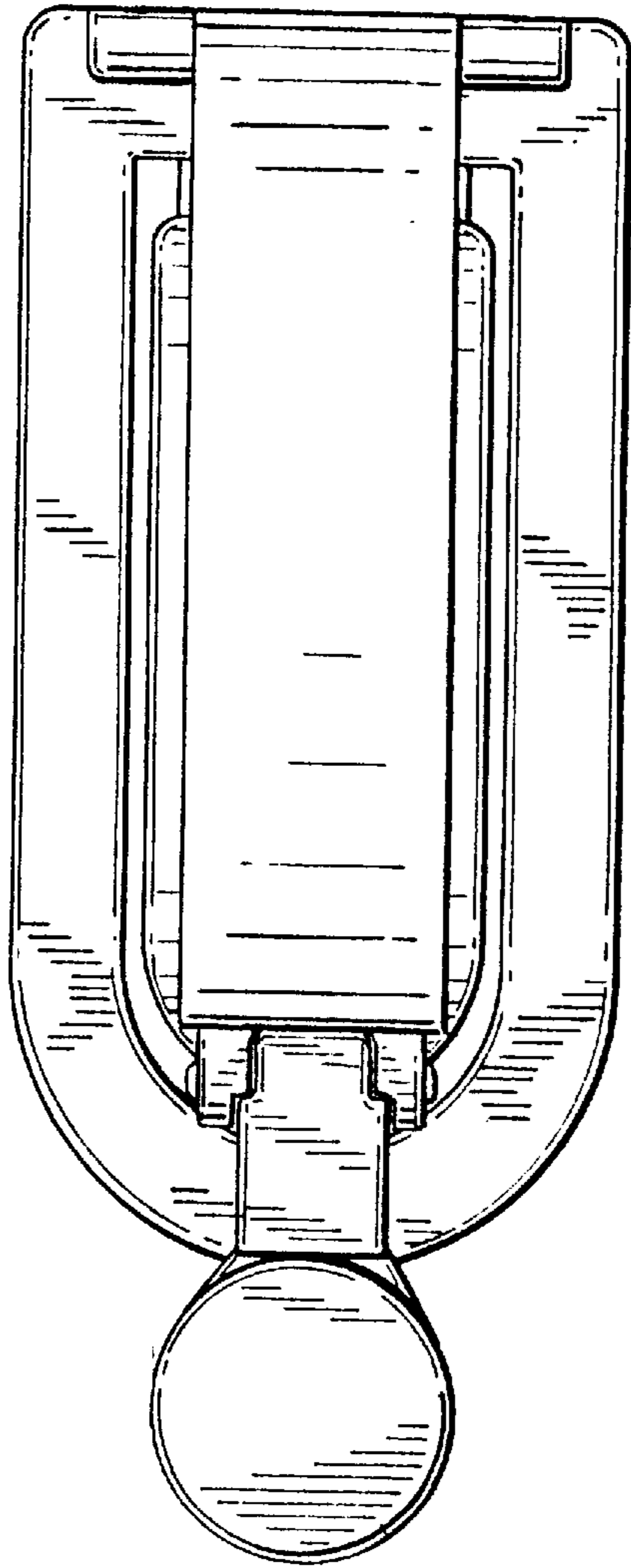


FIG. 12

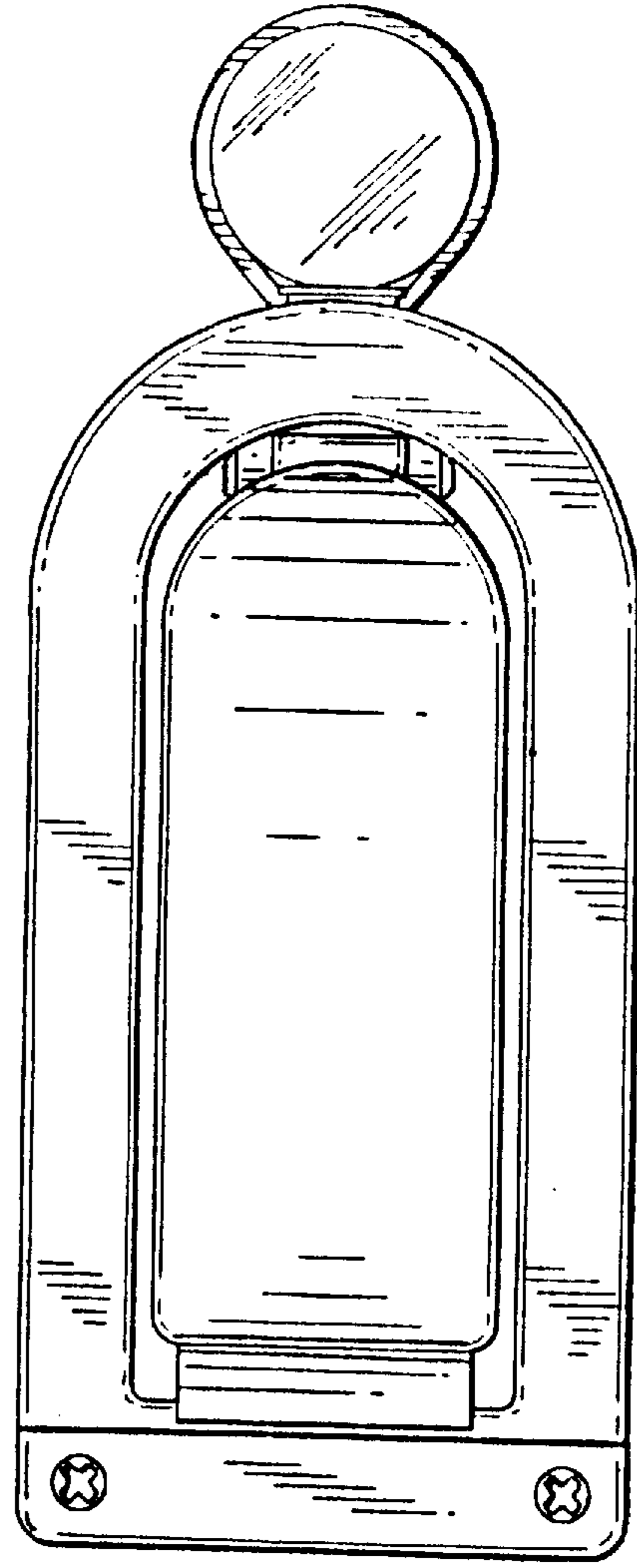


FIG. 13