

US00D407515S

# United States Patent [19]

Yang et al.

[11] **Patent Number: Des. 407,515**

[45] **Date of Patent: \*\*Mar. 30, 1999**

[54] **DUAL HEADED FLASHLIGHT**

[75] Inventors: **Paul Yang**, Hsien, Taiwan; **Johan D'Hont**, Ghent, Belgium

[73] Assignee: **Bon S.A.H.**, Luxembourg, Luxembourg

[\*\*] Term: **14 Years**

[21] Appl. No.: **89,746**

[22] Filed: **Jun. 22, 1998**

[51] **LOC (6) Cl.** ..... **26-02**

[52] **U.S. Cl.** ..... **D26/49; D26/43**

[58] **Field of Search** ..... **D26/37-50; 362/157, 362/158, 183-208**

### [56] **References Cited**

#### U.S. PATENT DOCUMENTS

D. 322,141	12/1991	Yuen	.....	D26/49
D. 368,542	4/1996	De Blois et al.	.....	D26/43
D. 373,435	9/1996	Nolan	.....	D26/43
D. 373,649	9/1996	Carbone	.....	D26/43
D. 378,434	3/1997	Petterson et al.	.....	D26/49
D. 395,722	6/1998	Howard et al.	.....	D26/49

*Primary Examiner*—Marcus A. Jackson  
*Attorney, Agent, or Firm*—Robert C. Kain, Jr.

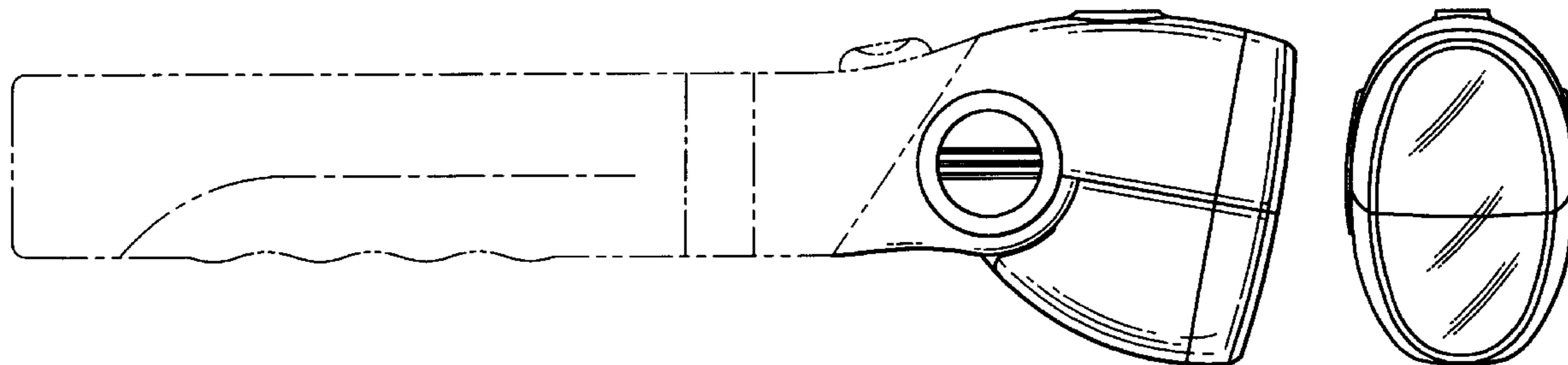
### [57] **CLAIM**

The ornamental design for a dual headed flashlight, as shown and described.

### **DESCRIPTION**

FIG. 1 is a side view of the dual headed flashlight;  
 FIG. 2 is a bottom view;  
 FIG. 3 is a top view;  
 FIG. 4 is a front, elevational view;  
 FIG. 5 is a rear view;  
 FIG. 6 is a bottom view when the lower lens unit of the dual headed flashlight is rotated away from the upper lens unit;  
 FIG. 7 is a side view of the flashlight with the lower lens rotated away from the upper lens;  
 FIG. 8 is a rear view of the flashlight with the lower lens rotated away from the upper lens; and,  
 FIG. 9 is a front, elevational view of the flashlight with the lower lens rotated away from the upper lens.  
 The phantom lines do not form part of the claimed design.

**1 Claim, 2 Drawing Sheets**



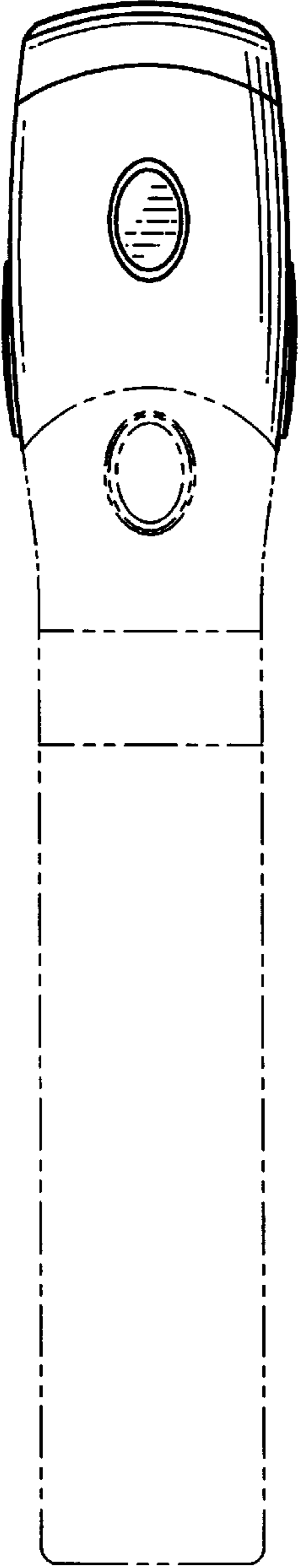


FIG. 3

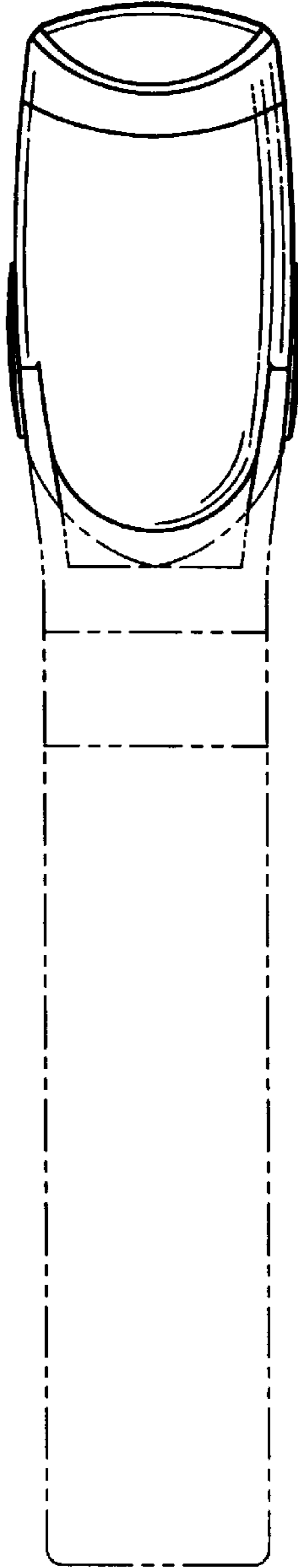


FIG. 2

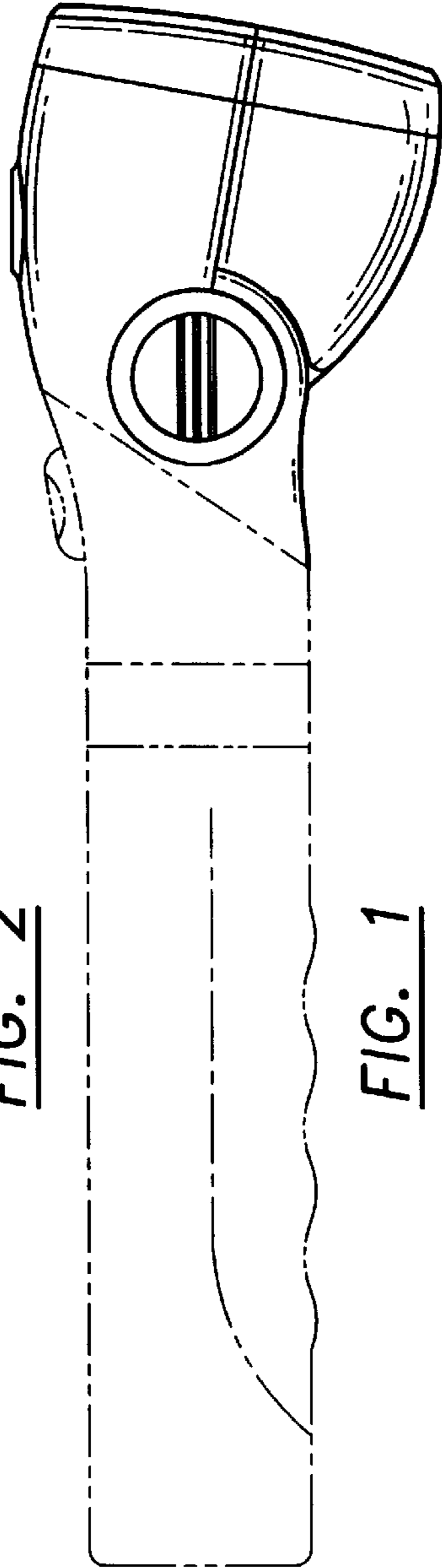


FIG. 1

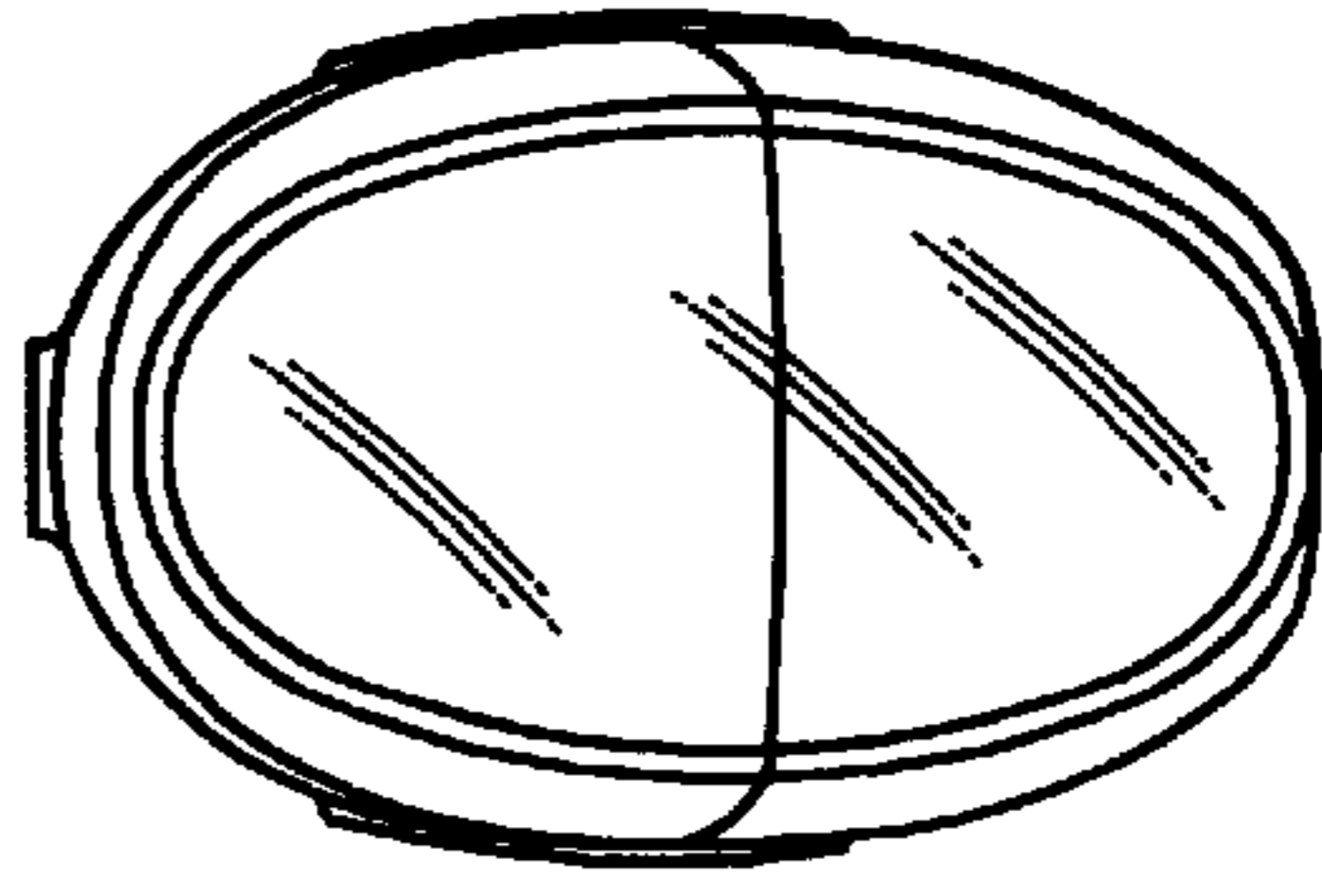


FIG. 4

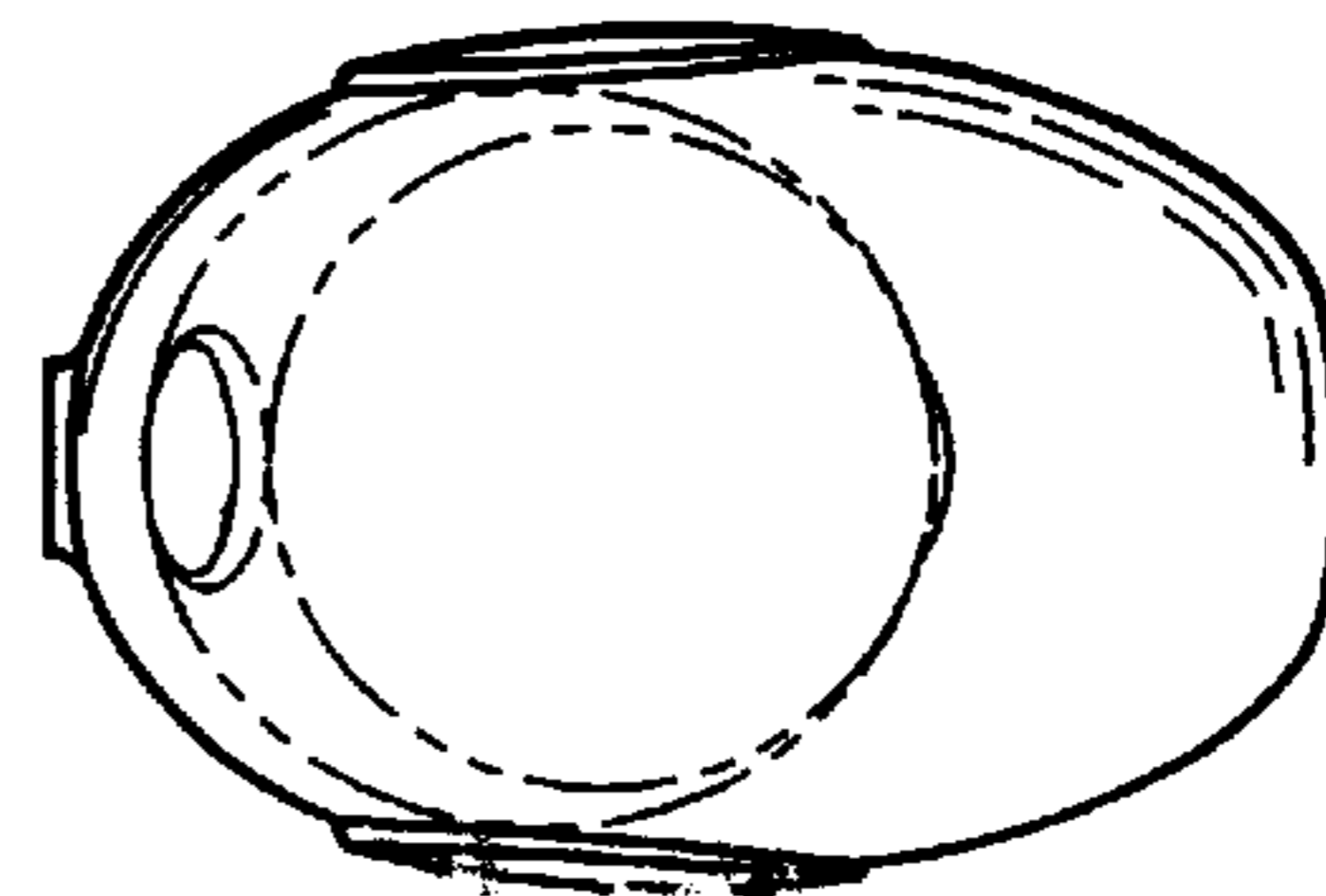


FIG. 5

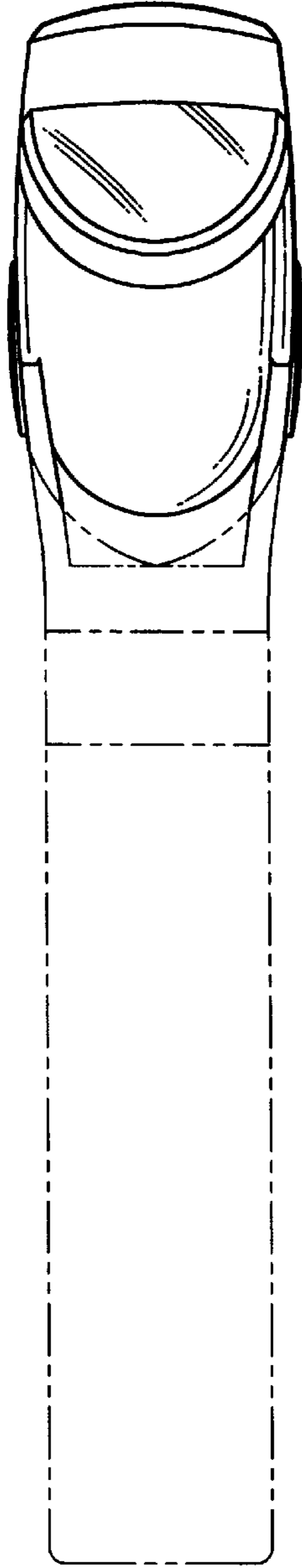


FIG. 6

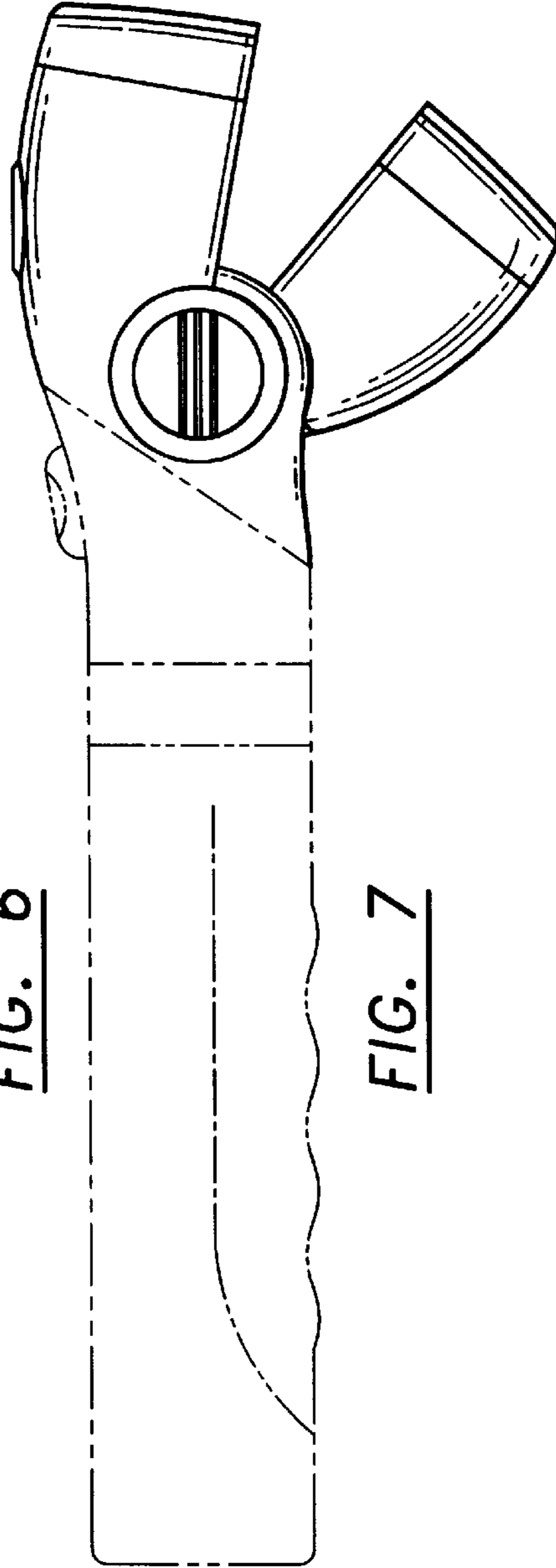


FIG. 7

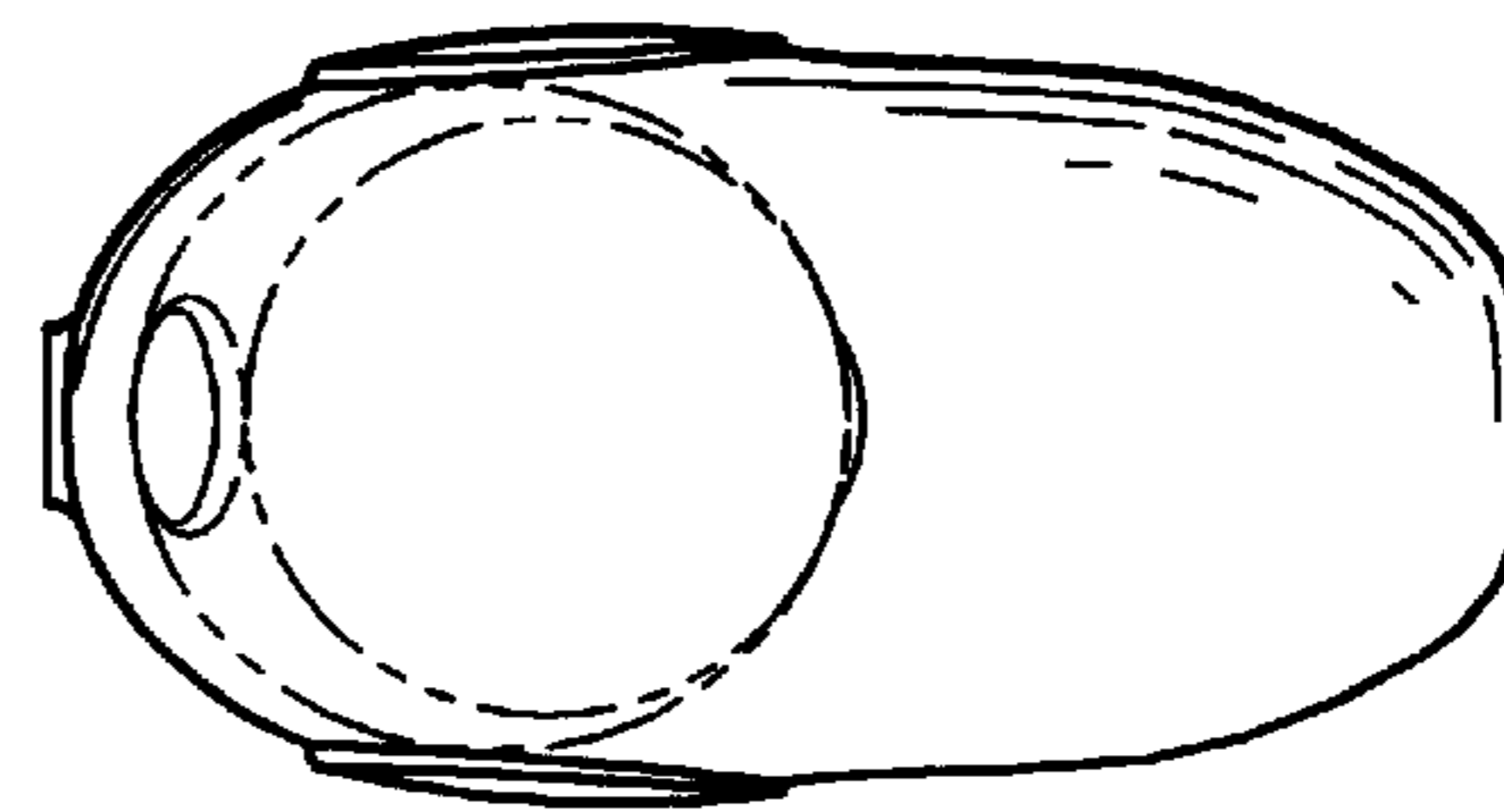


FIG. 8

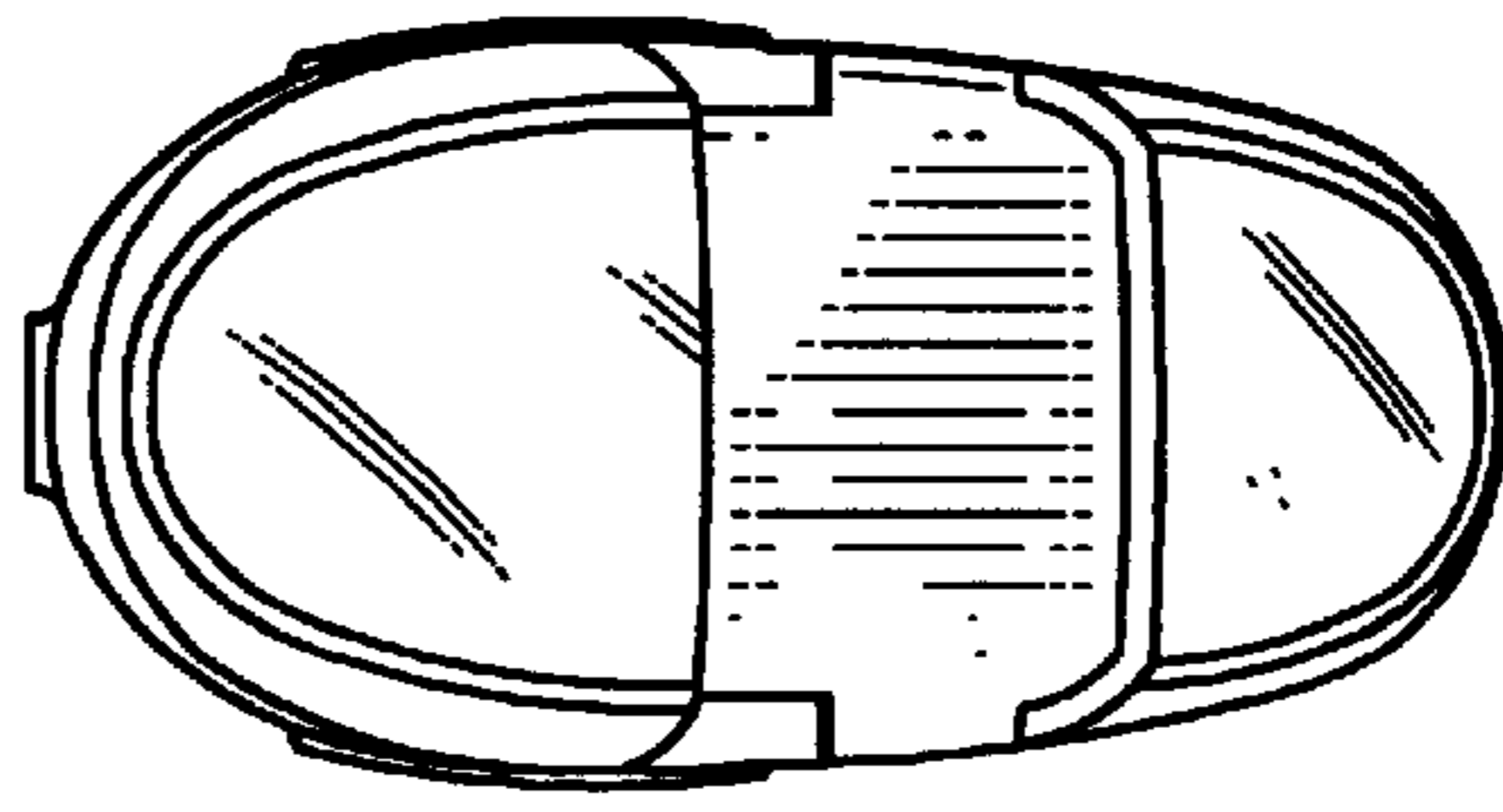


FIG. 9