



US00D407514S

# United States Patent [19] Yuen

[11] **Patent Number: Des. 407,514**

[45] **Date of Patent: \*\*Mar. 30, 1999**

[54] **SPOTLIGHT**

[75] Inventor: **John Se-Kit Yuen**, Kowloon, Hong Kong

[73] Assignee: **John Manufacturing Limited**, Kowloon, Hong Kong

[\*\*] Term: **14 Years**

[21] Appl. No.: **89,531**

[22] Filed: **Jun. 16, 1998**

[30] **Foreign Application Priority Data**

Dec. 23, 1997 [GB] United Kingdom ..... 2071317

[51] **LOC (6) Cl.** ..... **26-02**

[52] **U.S. Cl.** ..... **D26/49**

[58] **Field of Search** ..... D26/37-50; 362/151, 362/153, 159, 200-208

[56] **References Cited**

**U.S. PATENT DOCUMENTS**

- D. 197,082 12/1963 Oakley et al. .... D26/49
- D. 363,564 10/1995 Kish et al. .... D26/49
- D. 367,935 3/1996 Burns ..... D26/49

*Primary Examiner*—Marcus A. Jackson  
*Attorney, Agent, or Firm*—Fay, Sharpe, Beall, Fagan, Minnich & McKee

[57] **CLAIM**

The ornamental design for a spotlight, as shown and described.

**DESCRIPTION**

FIG. 1 is a front elevational view of a spotlight showing my new design;

FIG. 2 is a top plan view thereof;

FIG. 3 is a rear elevational view thereof;

FIG. 4 is a bottom plan view thereof;

FIG. 5 is a left side elevational view thereof;

FIG. 6 is a right side elevational view thereof;

FIG. 7 is a front elevational view showing spotlight in an alternative position thereof;

FIG. 8 is a bottom plan view showing spotlight in an alternative position thereof;

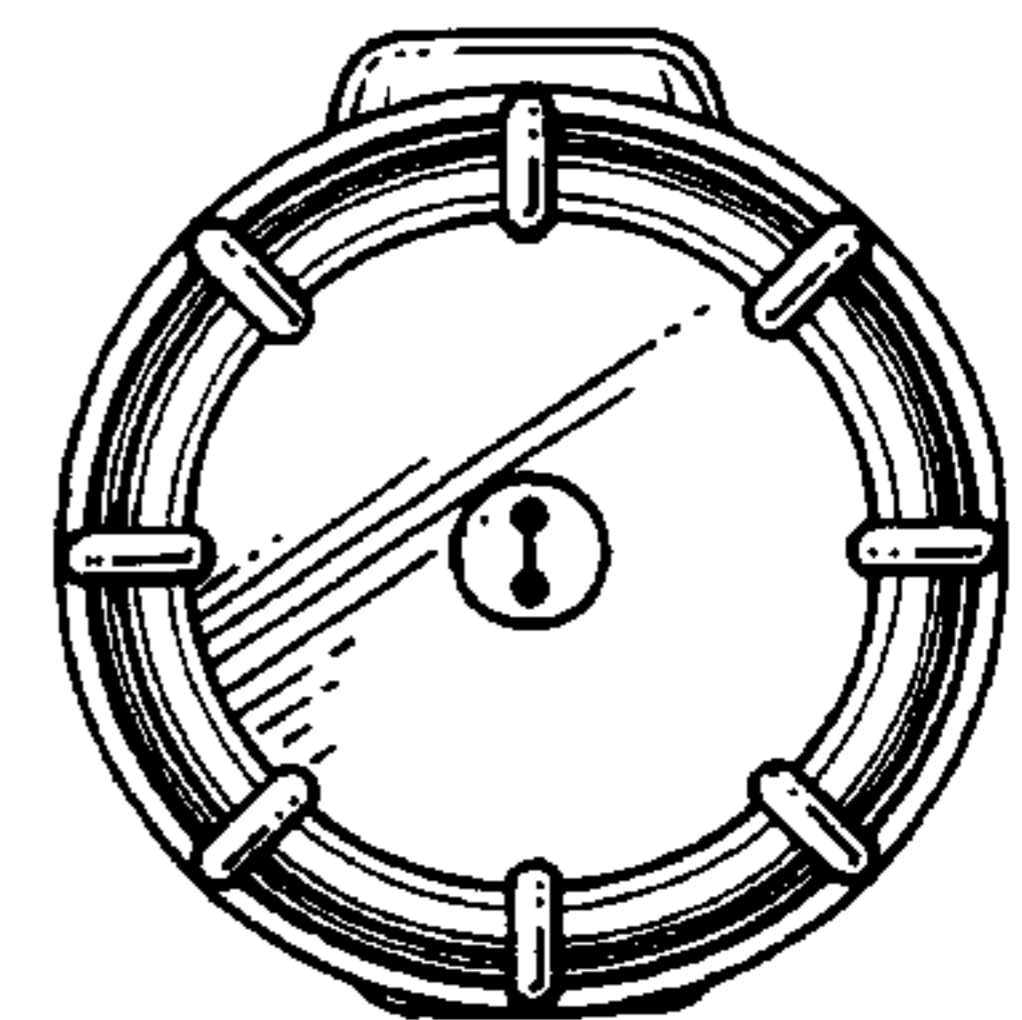
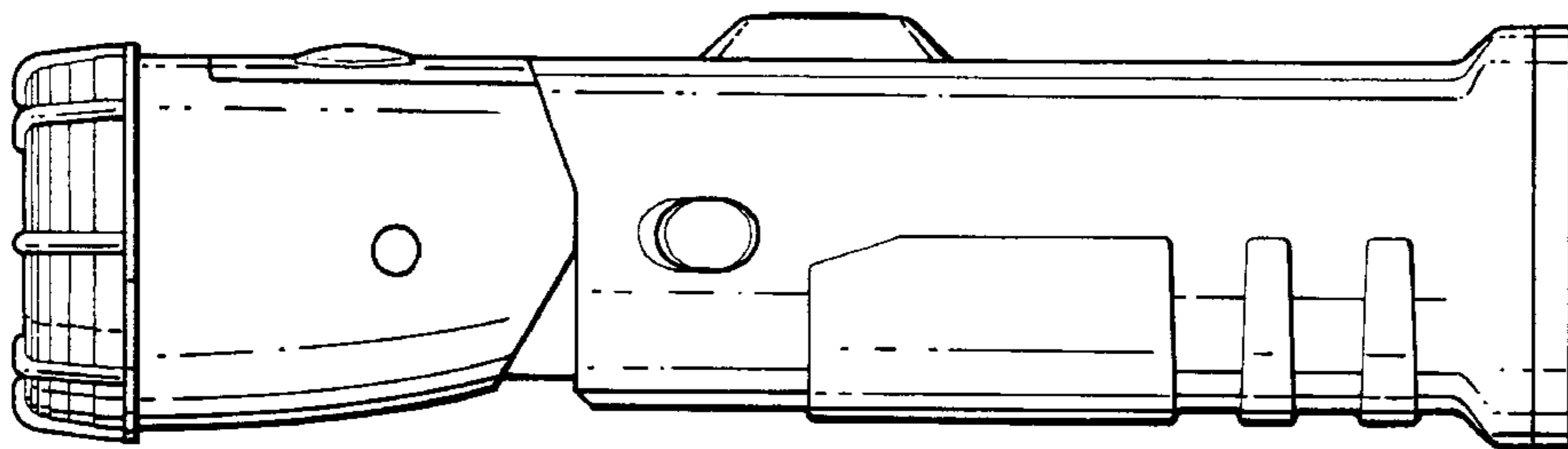
FIG. 9 is a rear elevational view showing spotlight in an alternative position thereof;

FIG. 10 is a top plan view showing spotlight in an alternative position thereof;

FIG. 11 is a left side elevational view showing spotlight in an alternative position thereof; and,

FIG. 12 is a right side elevational view showing spotlight in an alternative position thereof.

**1 Claim, 4 Drawing Sheets**



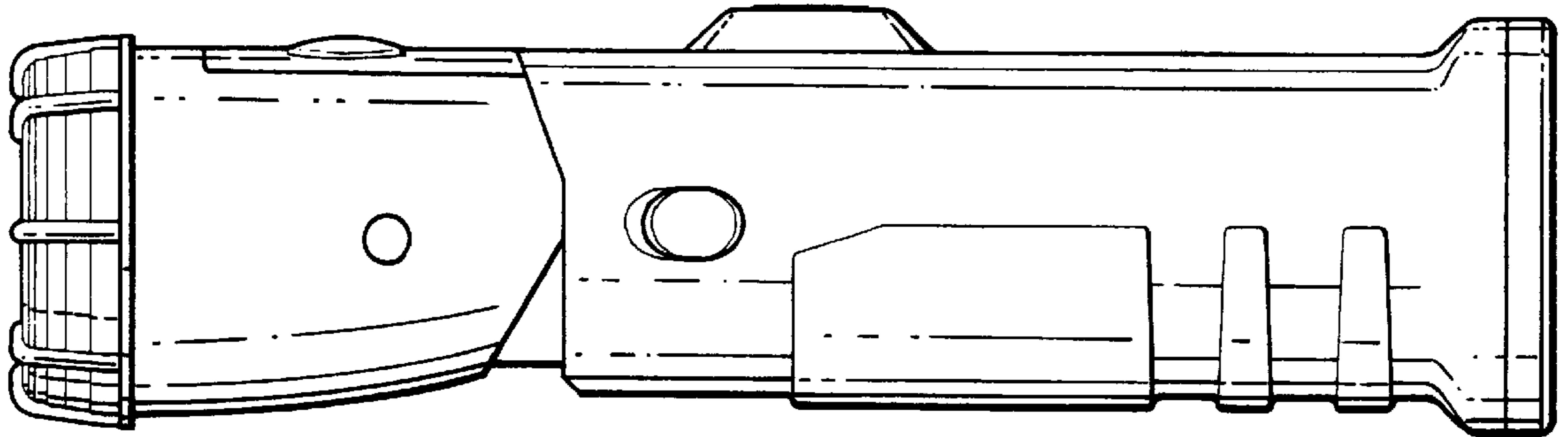


FIG. 1

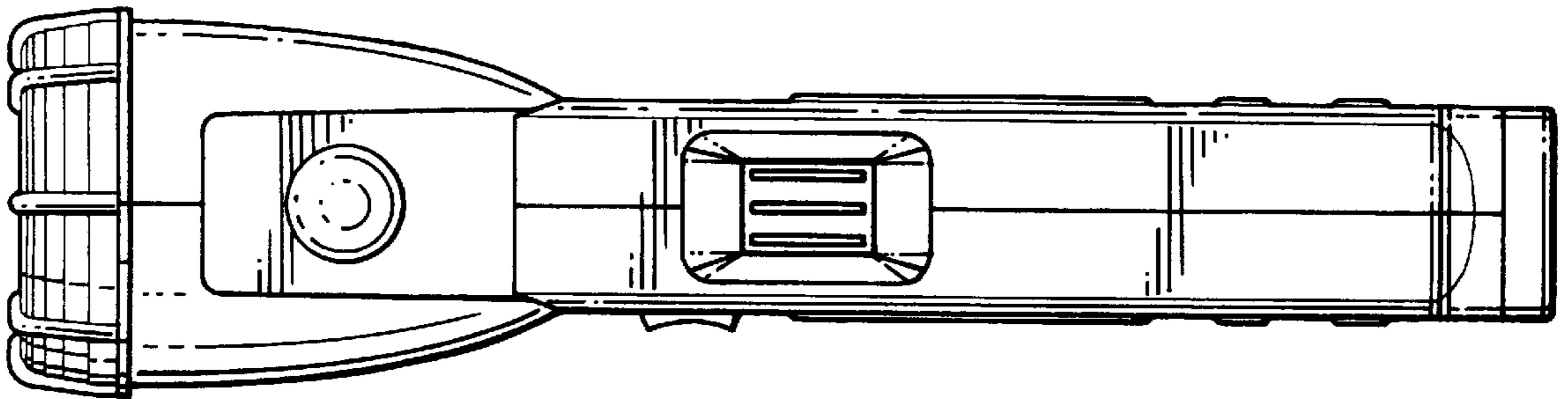


FIG. 2

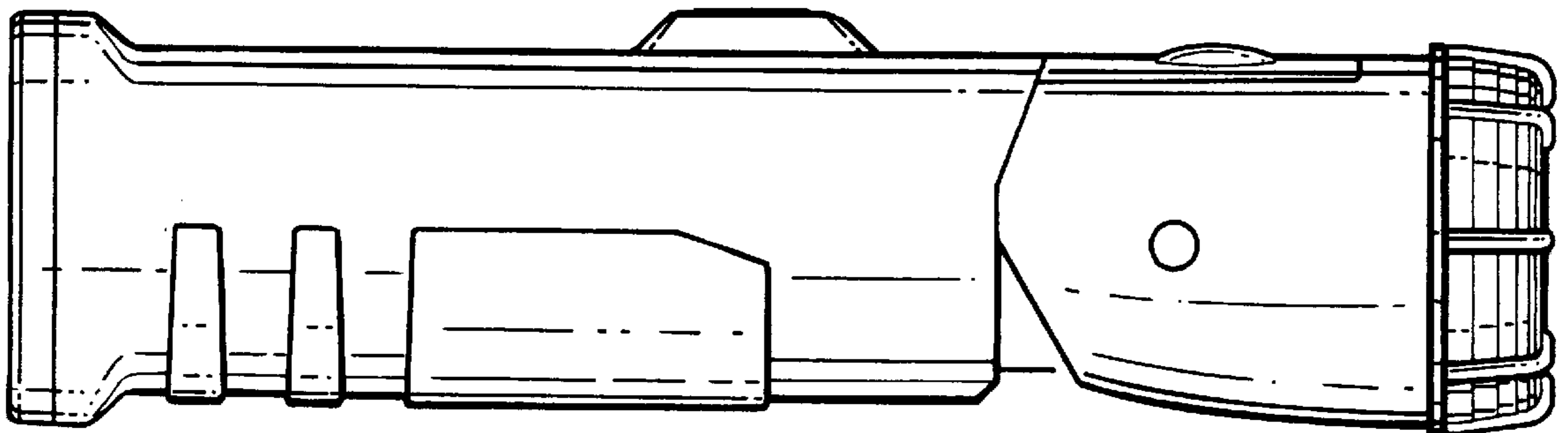


FIG. 3

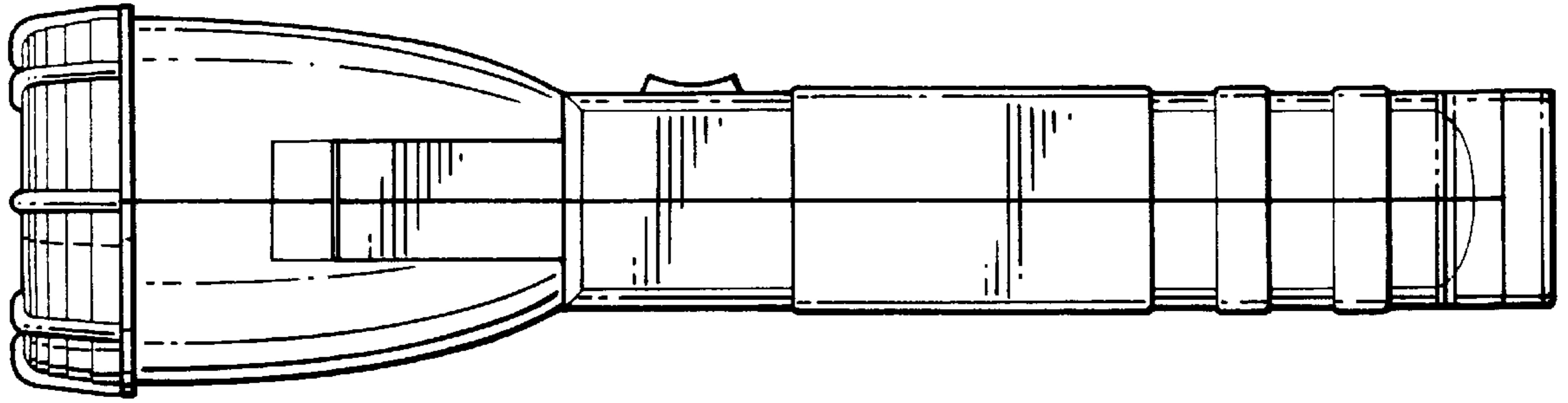


FIG. 4

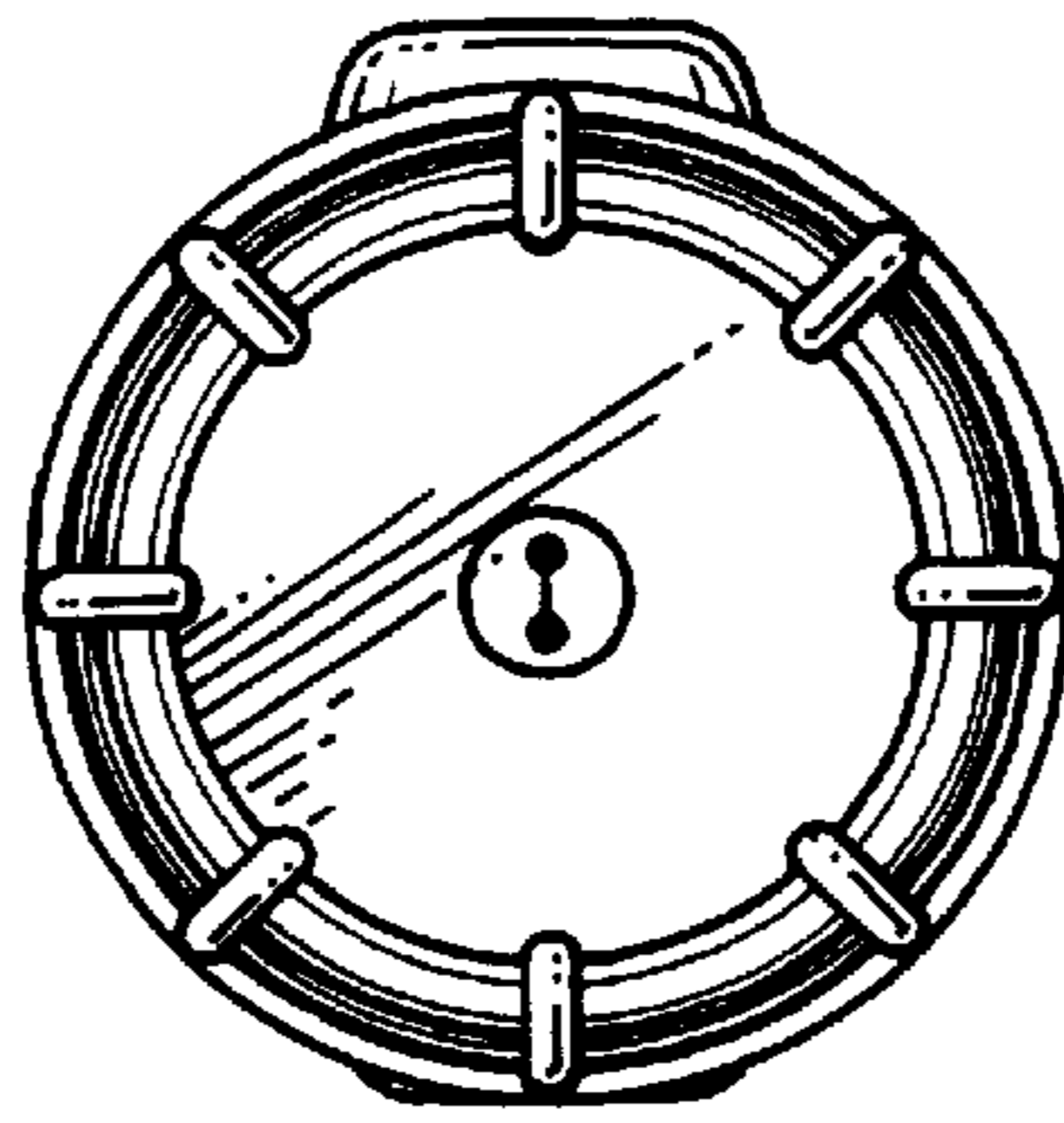


FIG. 5

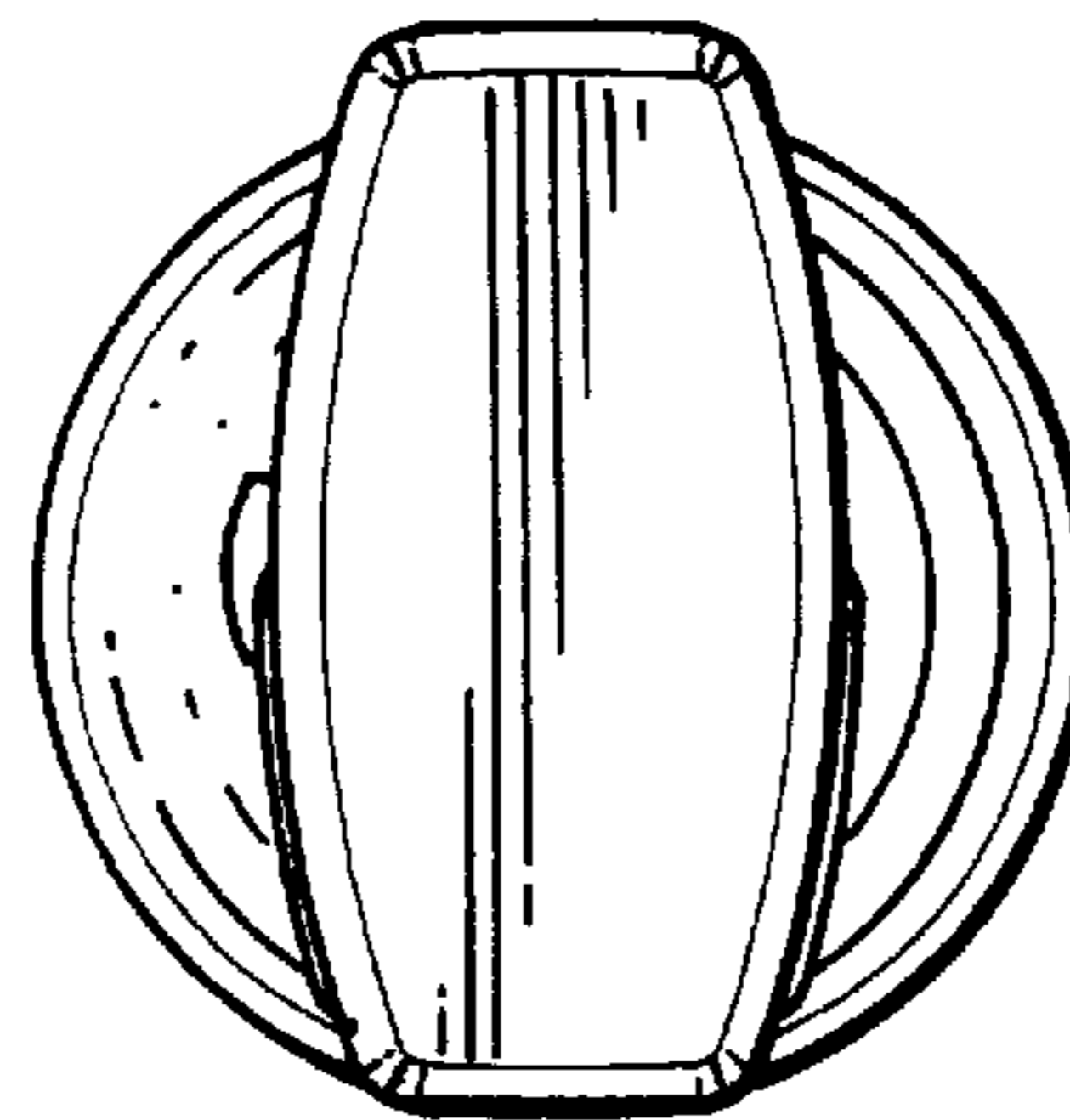


FIG. 6

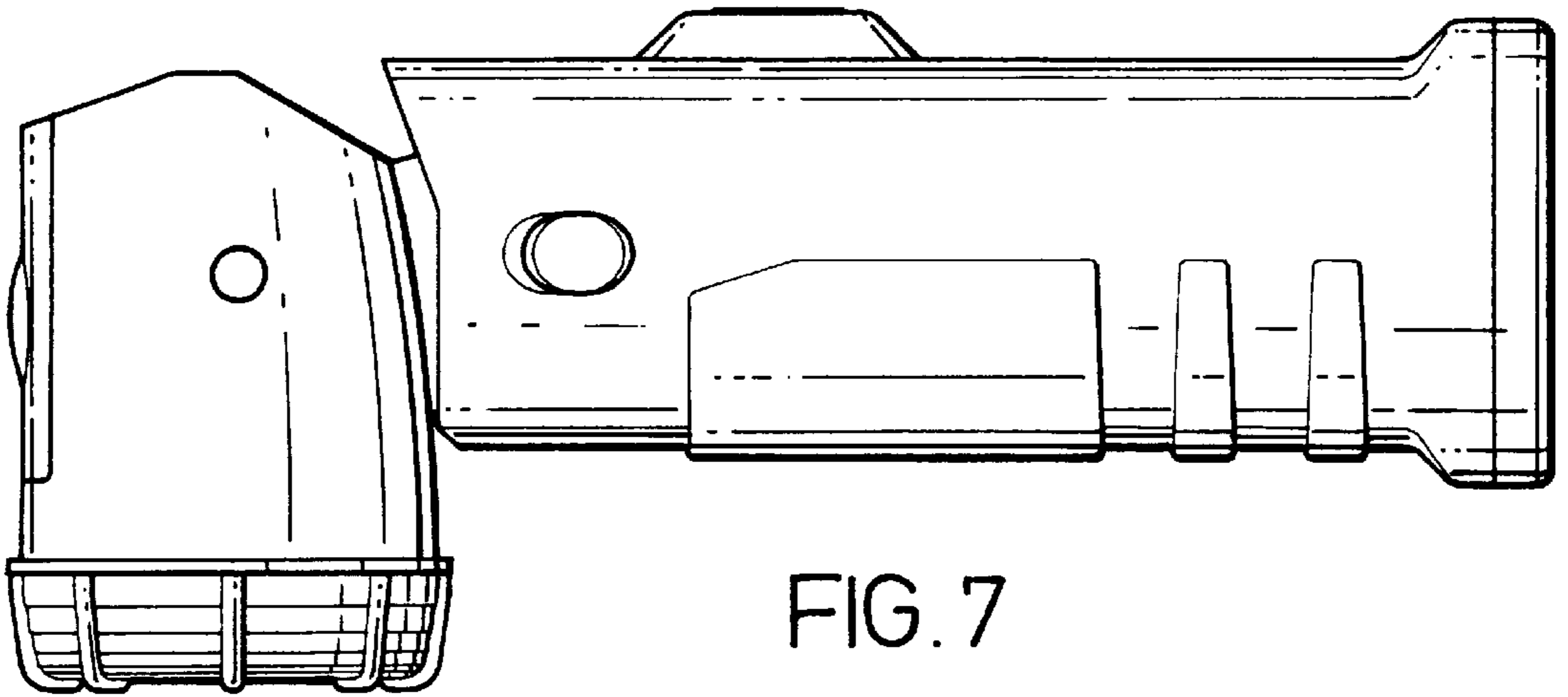


FIG. 7

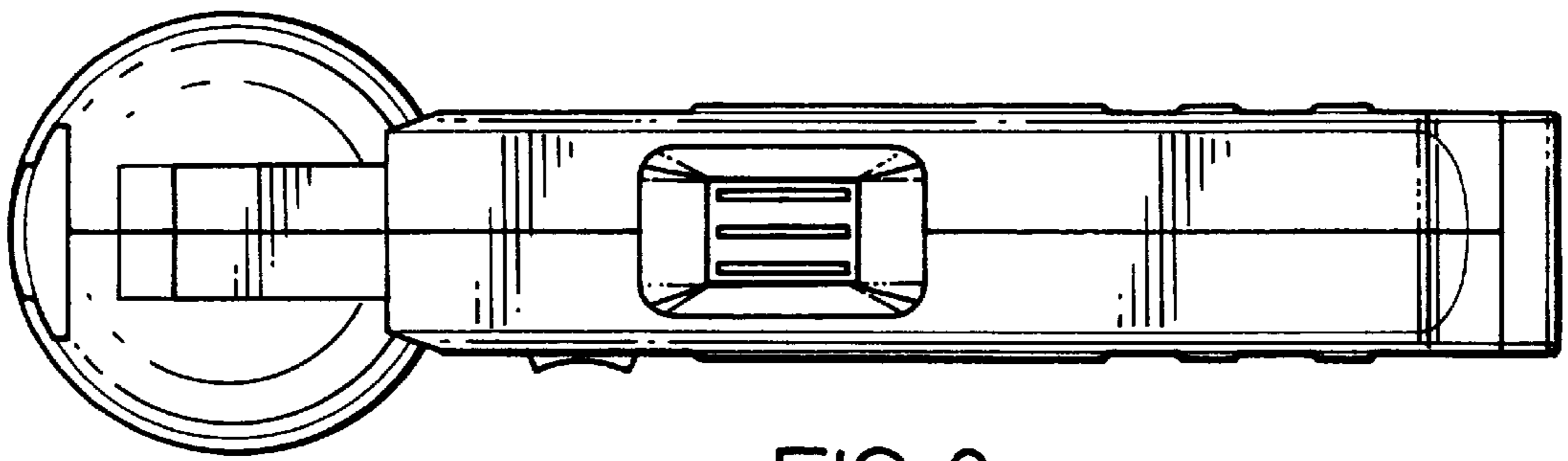


FIG. 8

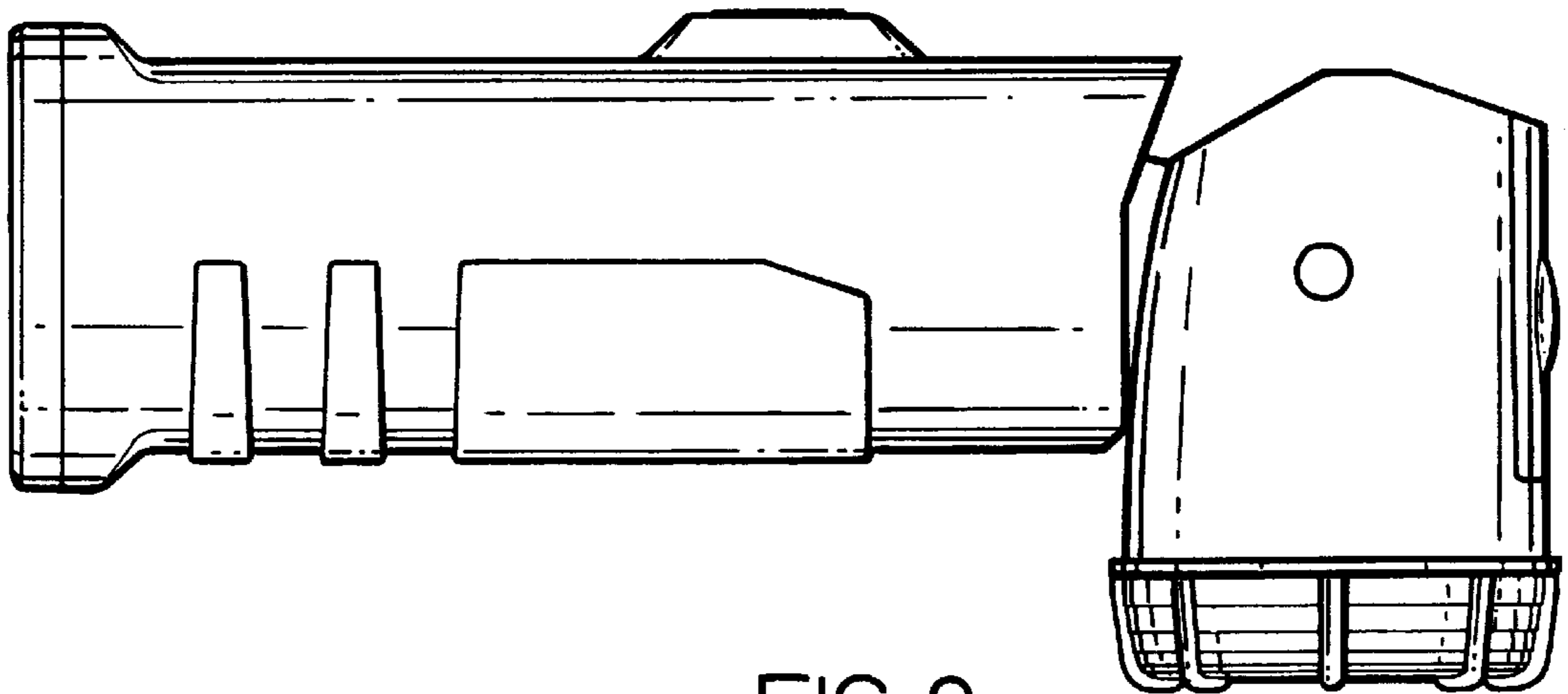


FIG. 9

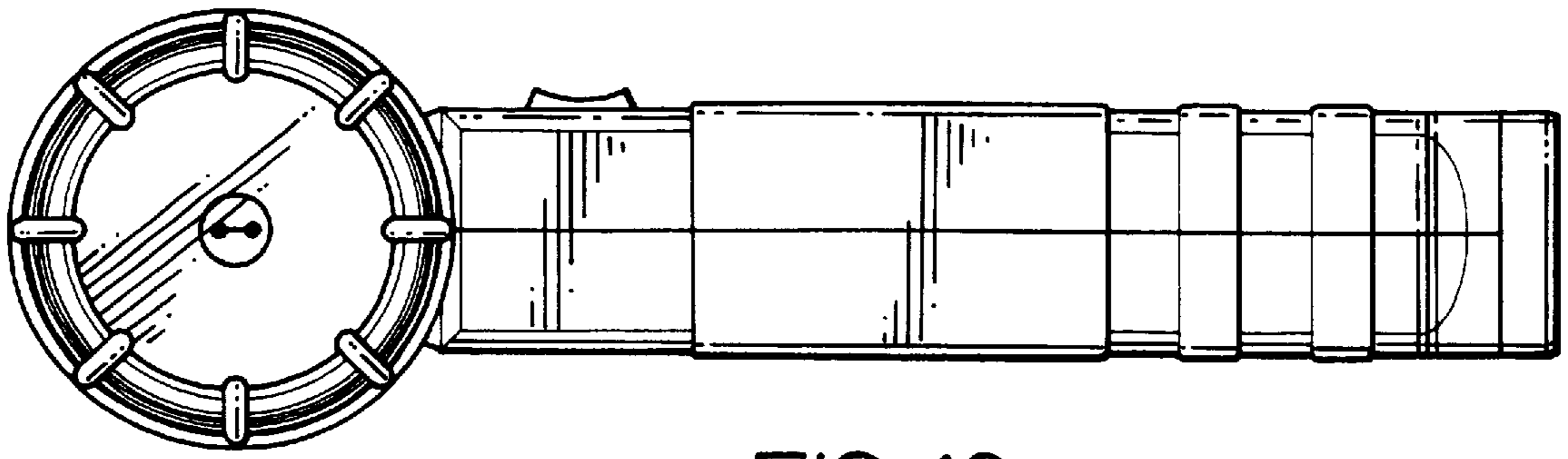


FIG. 10

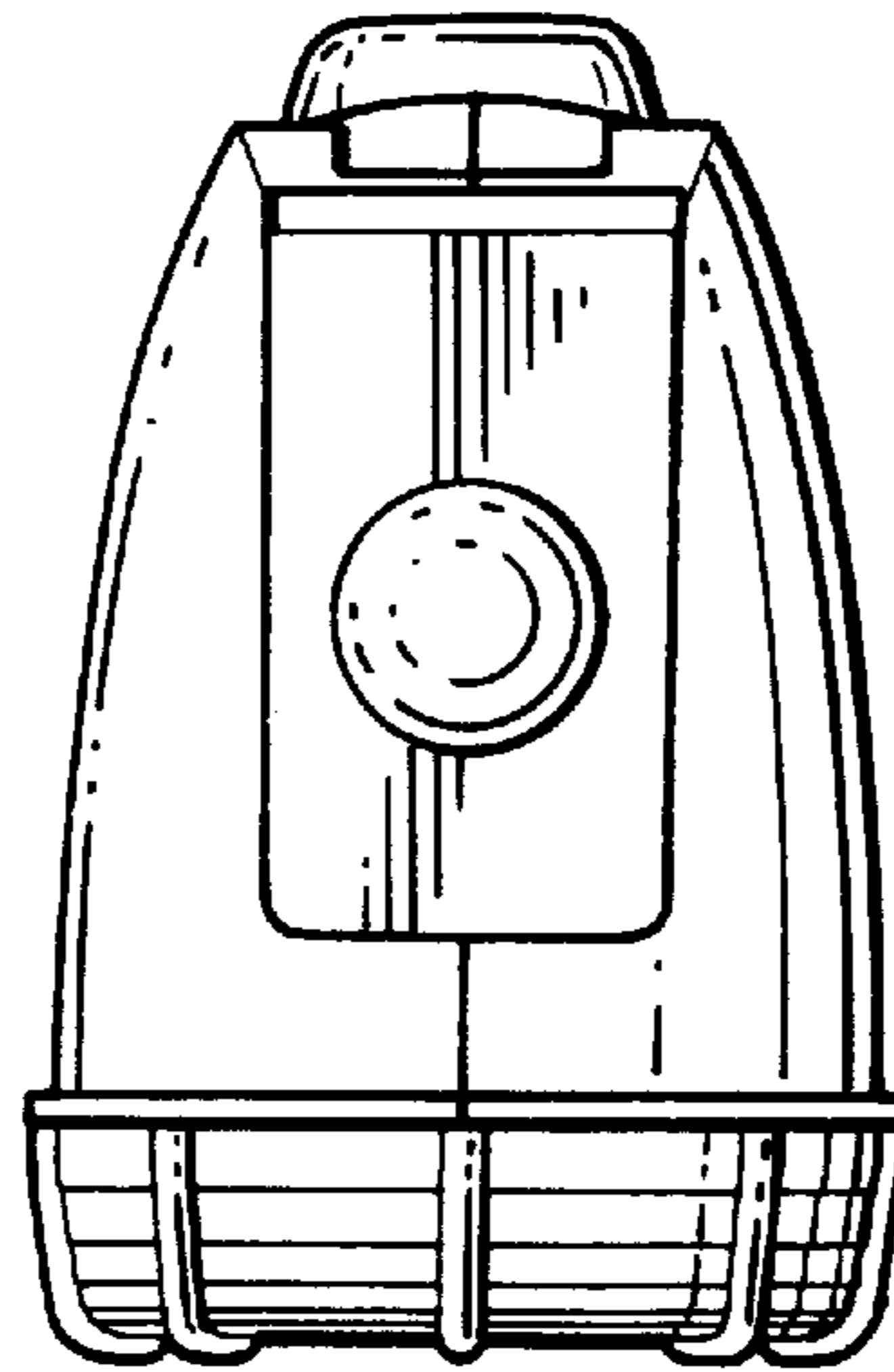


FIG. 11

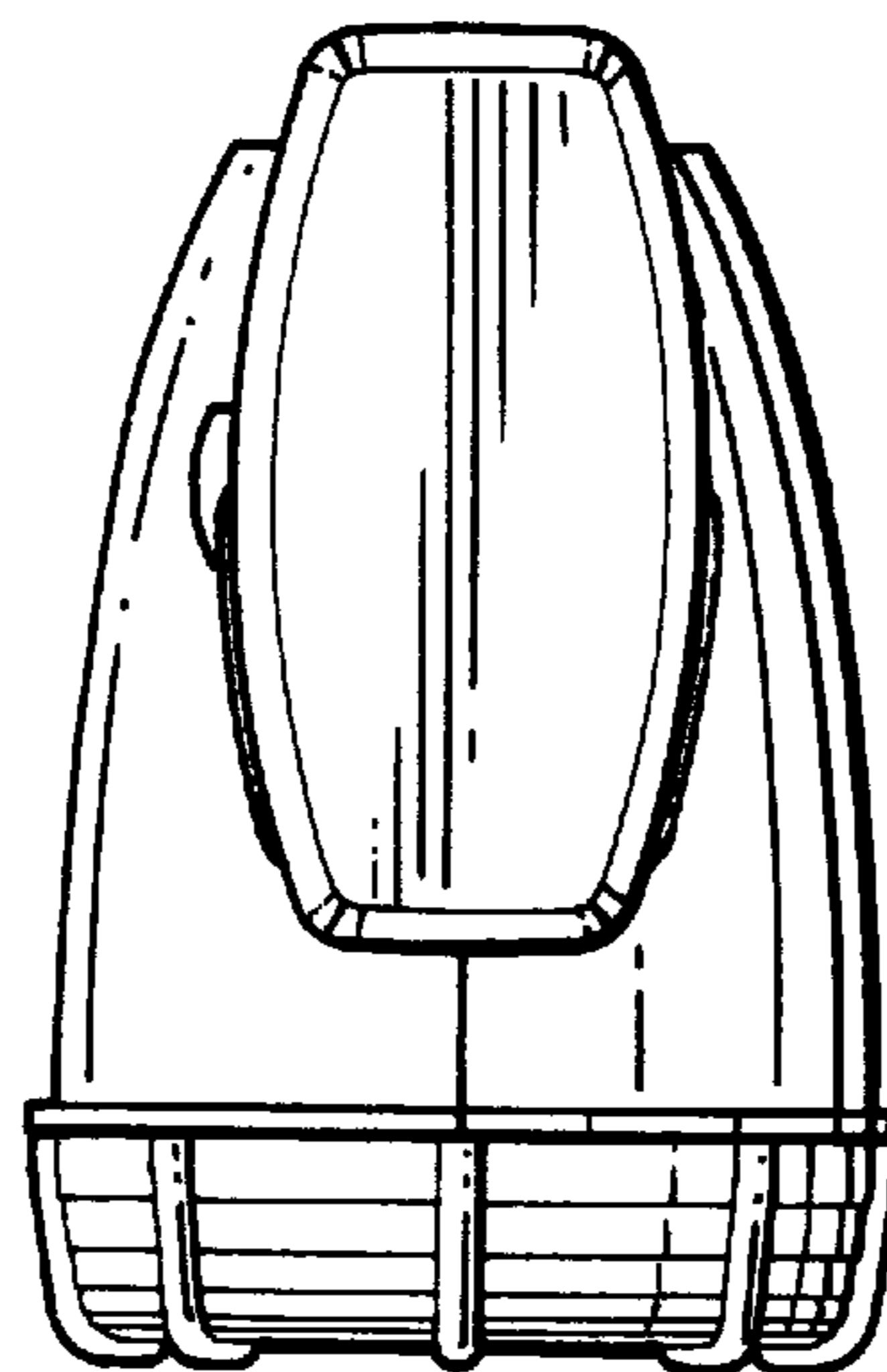


FIG. 12