



US00D407510S

# United States Patent [19] Yuen

[11] Patent Number: Des. 407,510

[45] Date of Patent: \*\*Mar. 30, 1999

[54] **COMBINED RECHARGEABLE  
EMERGENCY LIGHT AND NIGHT LIGHT**

[75] Inventor: **John Se-Kit Yuen**, Kowloon, Hong Kong

[73] Assignee: **John Manufacturing Limited**,  
Kowloon, Hong Kong

[\*\*] Term: **14 Years**

[21] Appl. No.: **89,547**

[22] Filed: **Jun. 17, 1998**

[51] **LOC (6) Cl.** ..... **26-02**

[52] **U.S. Cl.** ..... **D26/37**

[58] **Field of Search** ..... D26/37-50, 26;  
362/157, 158, 183-208

[56] **References Cited**

**U.S. PATENT DOCUMENTS**

D. 224,556	8/1972	Chan	.....	D26/37
D. 275,708	9/1984	Zee	.....	D26/37
D. 289,931	5/1987	Grae	.....	D26/50
D. 299,173	12/1988	Powell et al.	.....	D26/37
D. 343,018	1/1994	Garrity	.....	D26/37
D. 364,476	11/1995	Petterson	.....	D26/50
2,932,018	4/1960	Schwartz	.....	D26/37

**FOREIGN PATENT DOCUMENTS**

2018079 10/1991 United Kingdom .  
2051292 10/1995 United Kingdom .

*Primary Examiner*—Marcus A. Jackson  
*Attorney, Agent, or Firm*—Fay, Sharpe, Beall, Fagan,  
Minnich & Mckee

[57] **CLAIM**

The ornamental design for a combined rechargeable emergency light and night light, as shown and described.

**DESCRIPTION**

FIG. 1 is a left side elevational view of a combined rechargeable emergency light and night light showing my new design;

FIG. 2 is a front elevational view thereof, with the broken line showing for illustrative purposes only and forming no part of the claimed design;

FIG. 3 is a right side elevational view thereof;

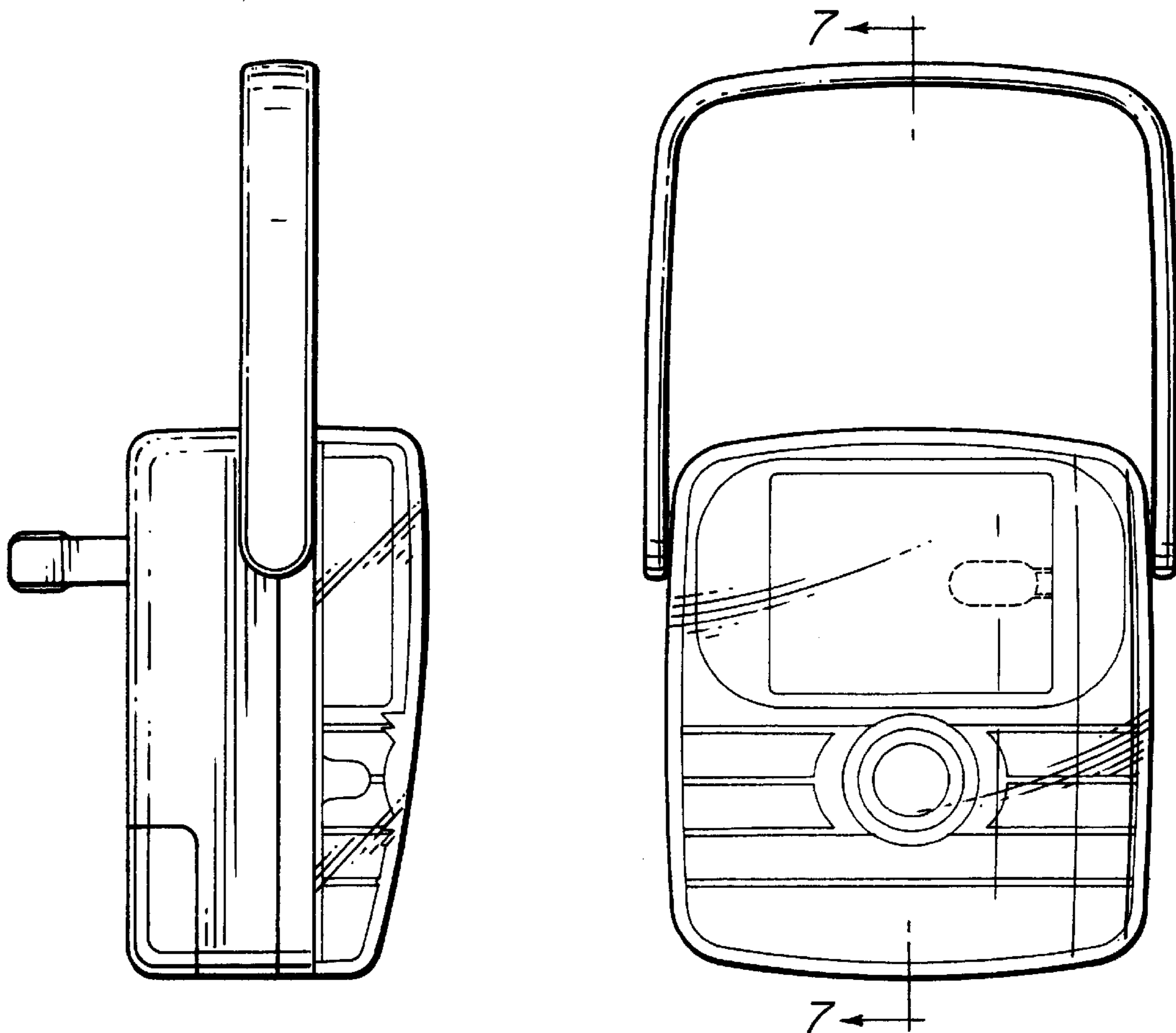
FIG. 4 is a rear elevational view thereof;

FIG. 5 is a top plan view with prongs retracted thereof;

FIG. 6 is an underneath plan view with the prongs retracted thereof; and,

FIG. 7 is a sectional view taken along line 3—3 in FIG. 3.

**1 Claim, 2 Drawing Sheets**



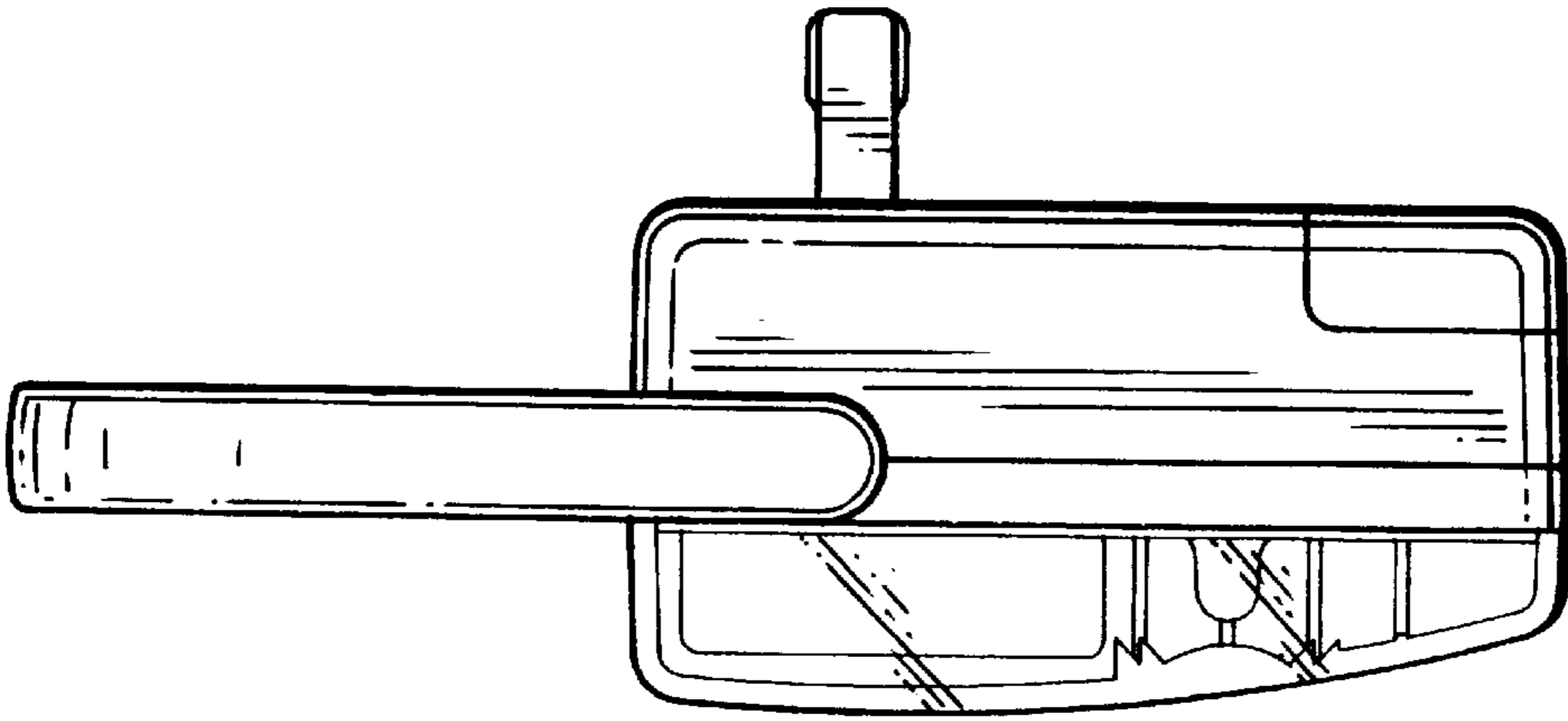


FIG. 3

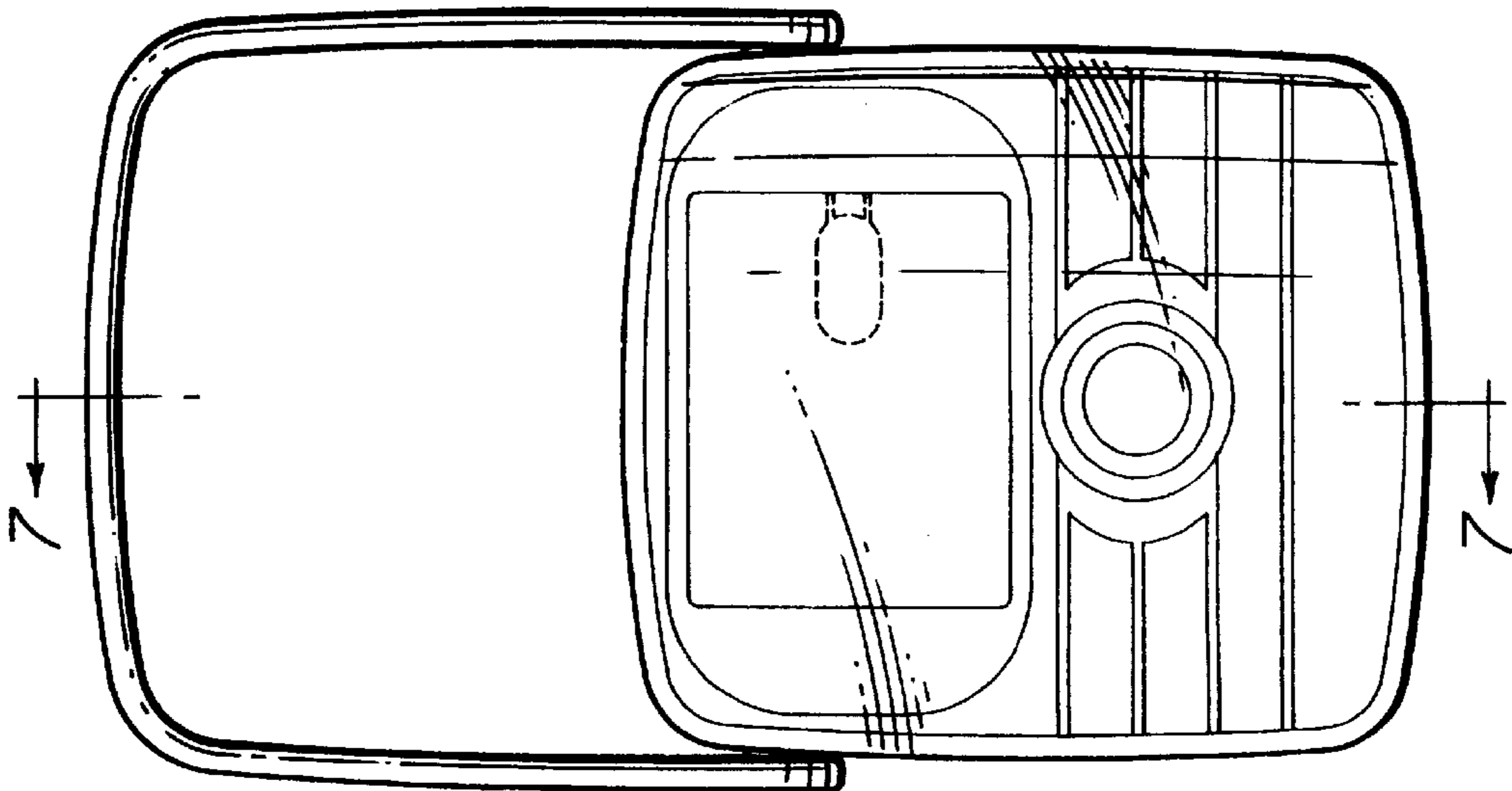


FIG. 2

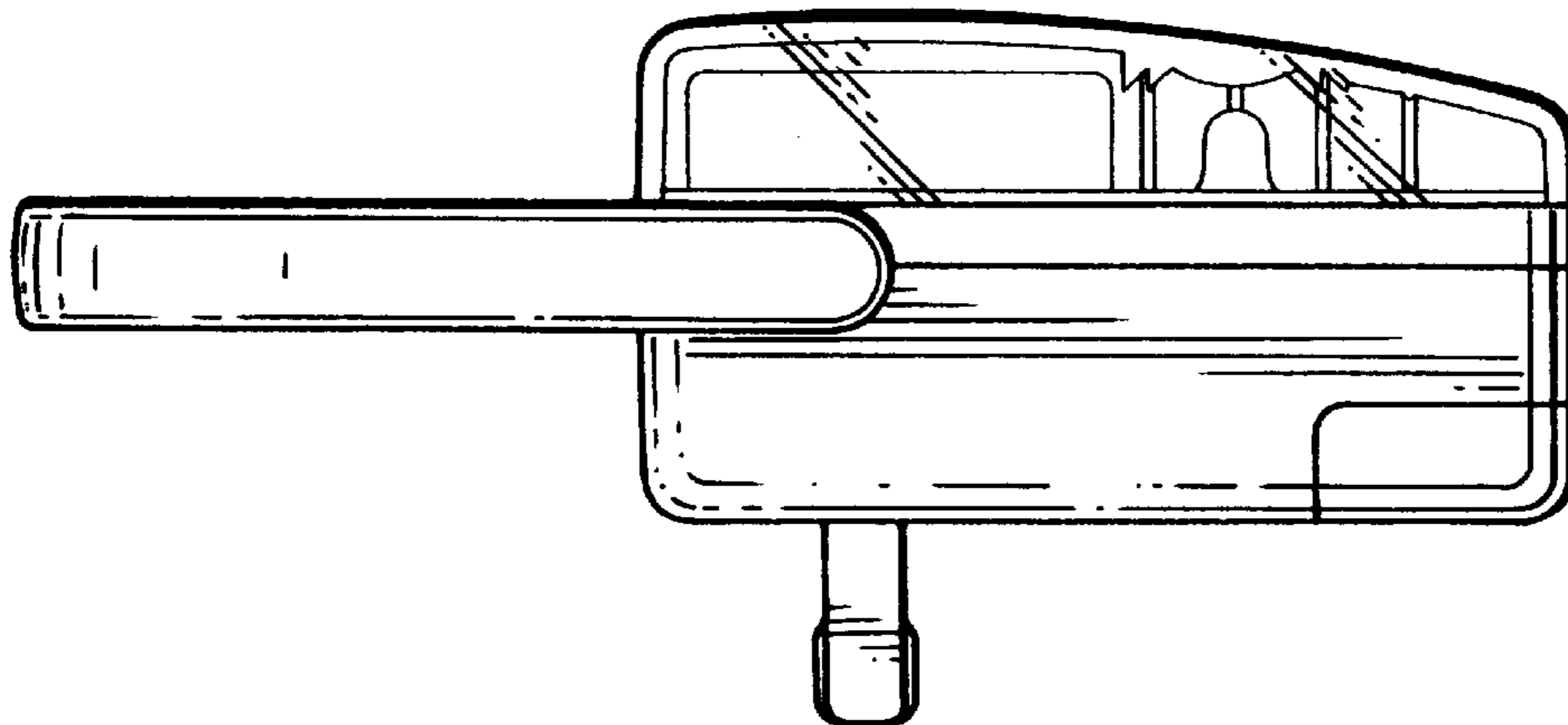


FIG. 1

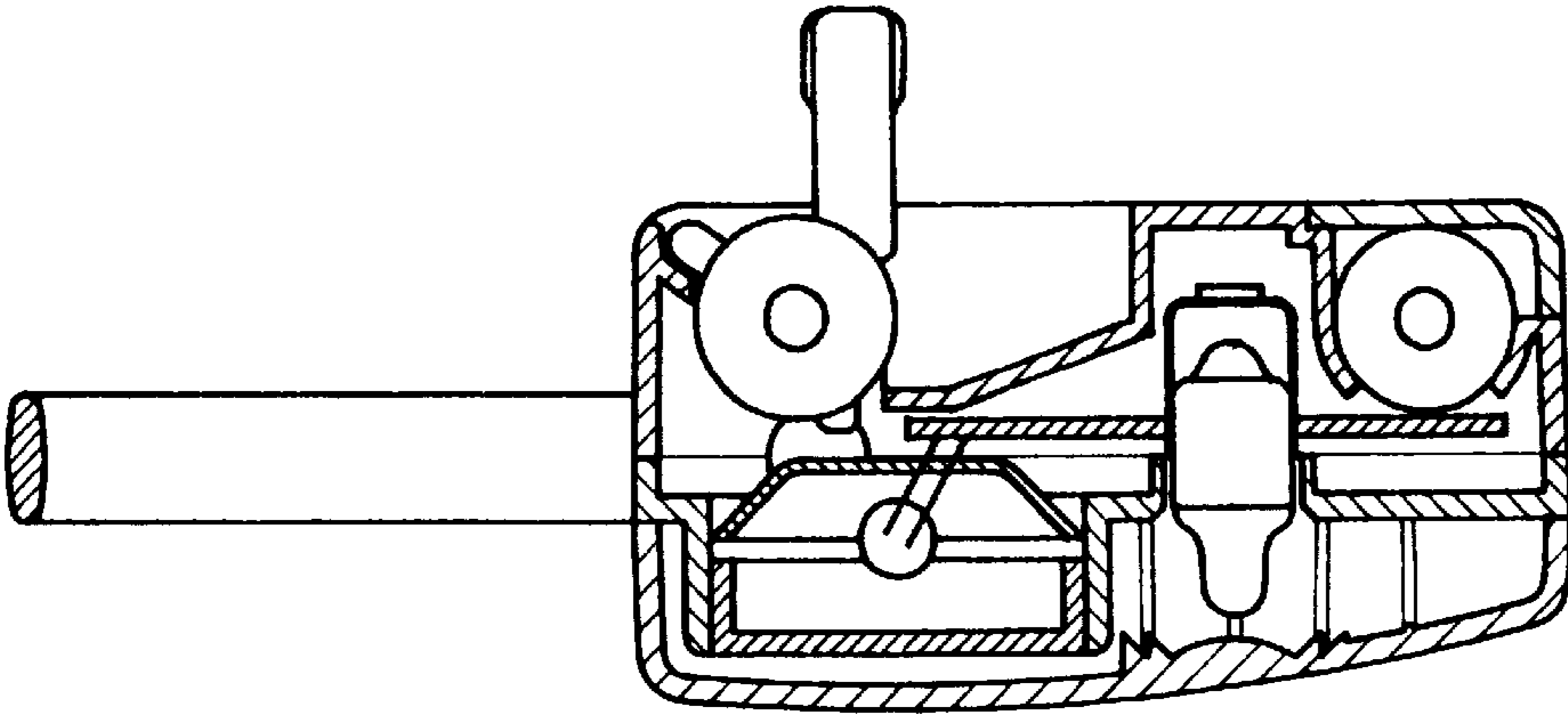


FIG. 7

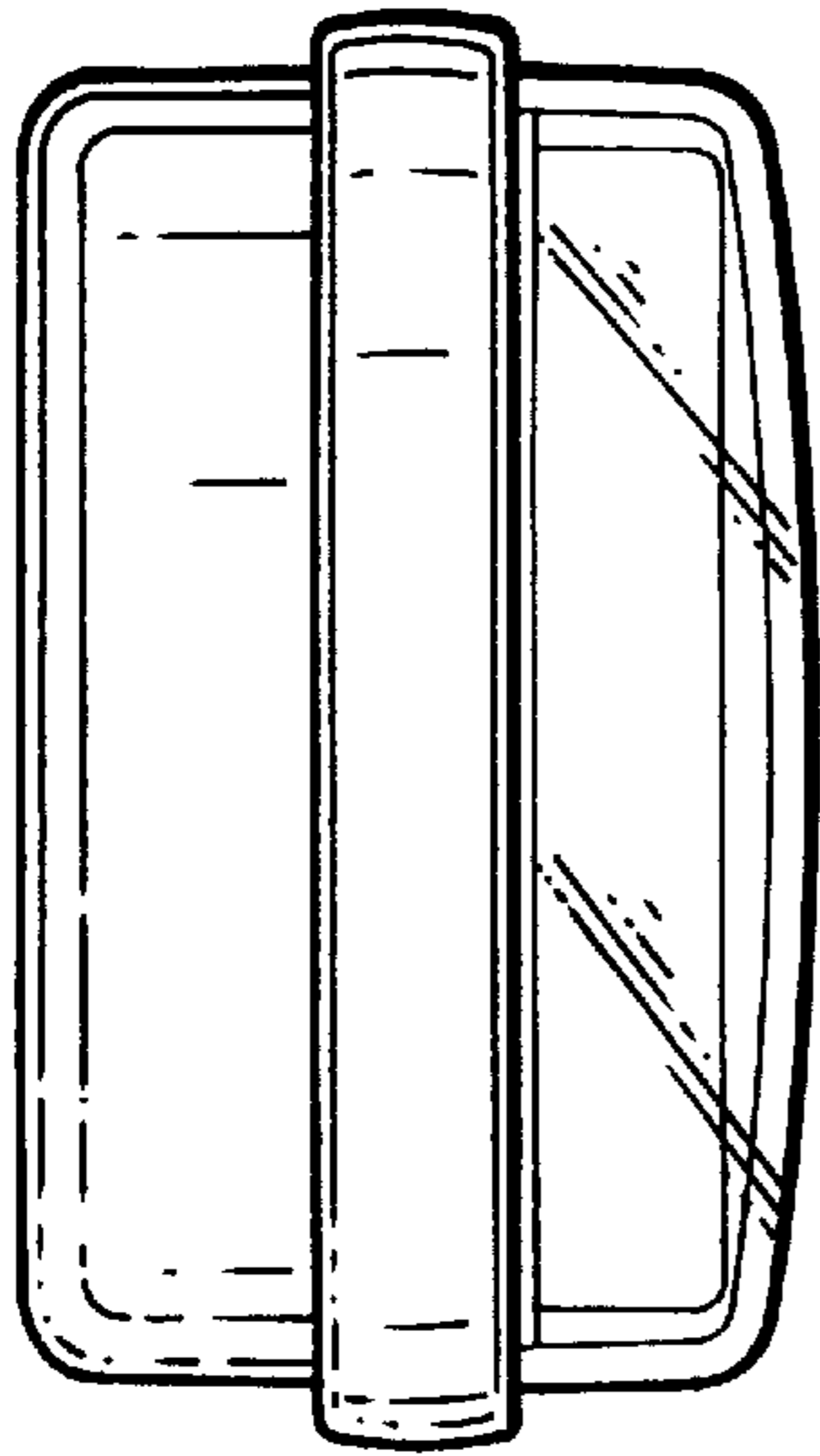


FIG. 5

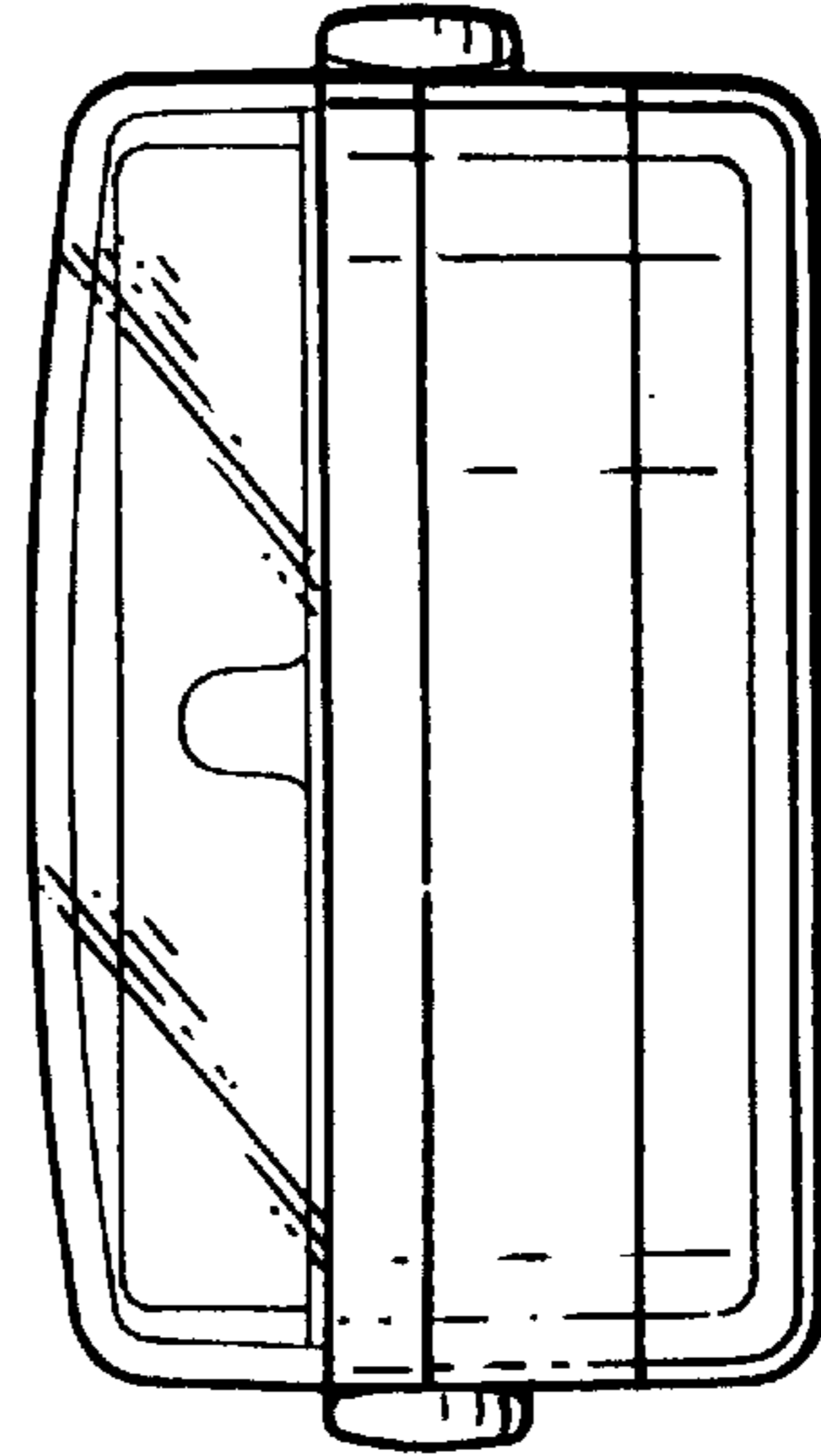


FIG. 6

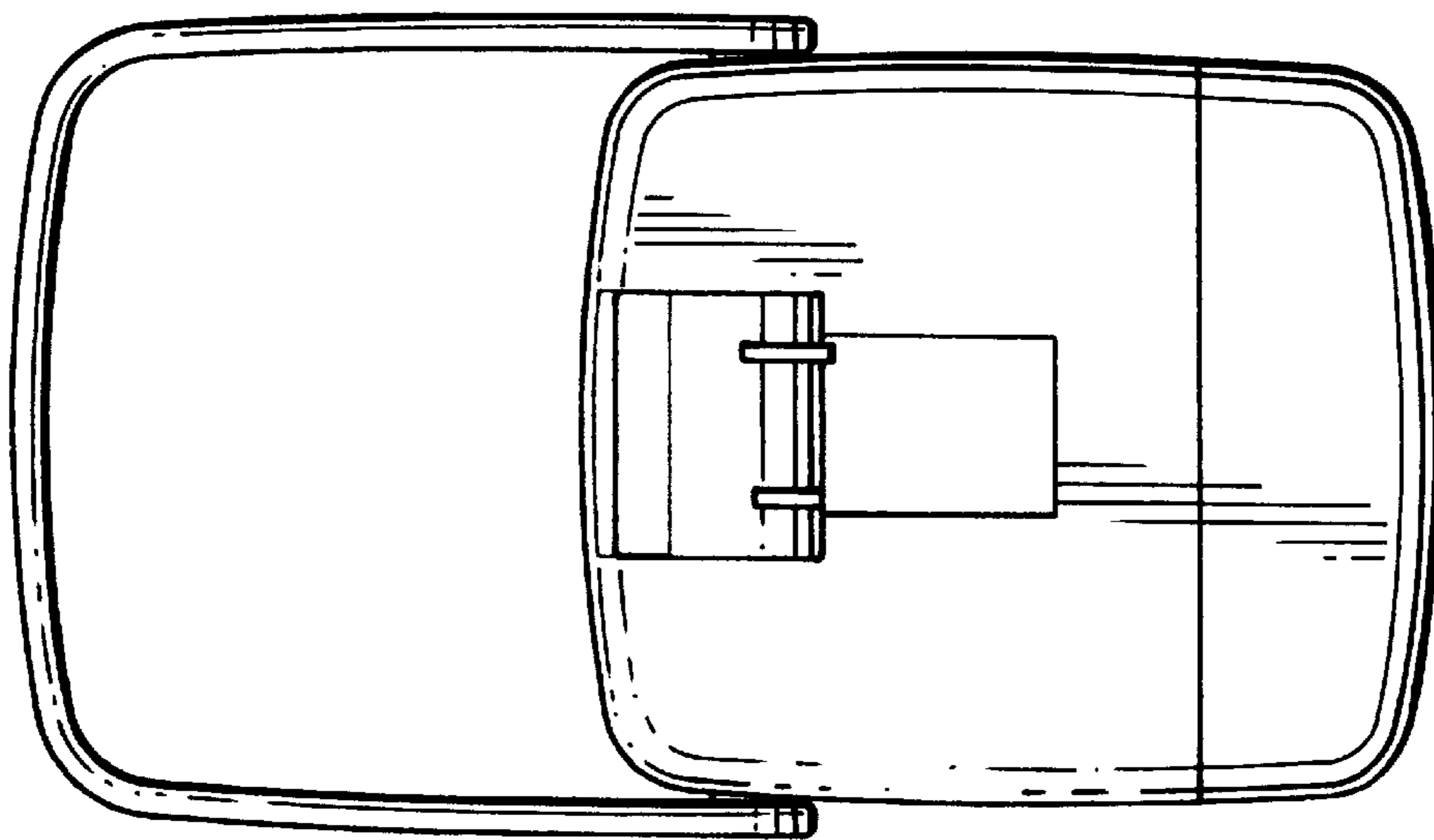


FIG. 4